



US00D478602S

(12) **United States Design Patent**
Lee

(10) **Patent No.:** **US D478,602 S**

(45) **Date of Patent:** **** Aug. 19, 2003**

(54) **BAND SAWING MACHINE**

(75) Inventor: **Lien-Chu Lee**, Taichung Hsien (TW)

(73) Assignee: **OAV Equipment & Tools, Inc.** (TW)

(**) Term: **14 Years**

(21) Appl. No.: **29/168,366**

(22) Filed: **Oct. 2, 2002**

(51) **LOC (7) Cl.** **15-09**

(52) **U.S. Cl.** **D15/134**

(58) **Field of Search** D15/134; 83/814-827,
83/72, 76.7

(56) **References Cited**

U.S. PATENT DOCUMENTS

D434,049 S * 11/2000 Braxell D15/134
6,272,964 B1 * 8/2001 Heilshov 83/821

* cited by examiner

Primary Examiner—Antoine Duval Davis
(74) *Attorney, Agent, or Firm*—Browdy and Neimark,
P.L.L.C.

(57) **CLAIM**

The ornamental design for a “band sawing machine”, as shown.

DESCRIPTION

FIG. 1 shows a perspective view of the present design;
FIG. 2 shows a right side elevational view of the present design.

FIG. 3 shows a top plan view of the present design.

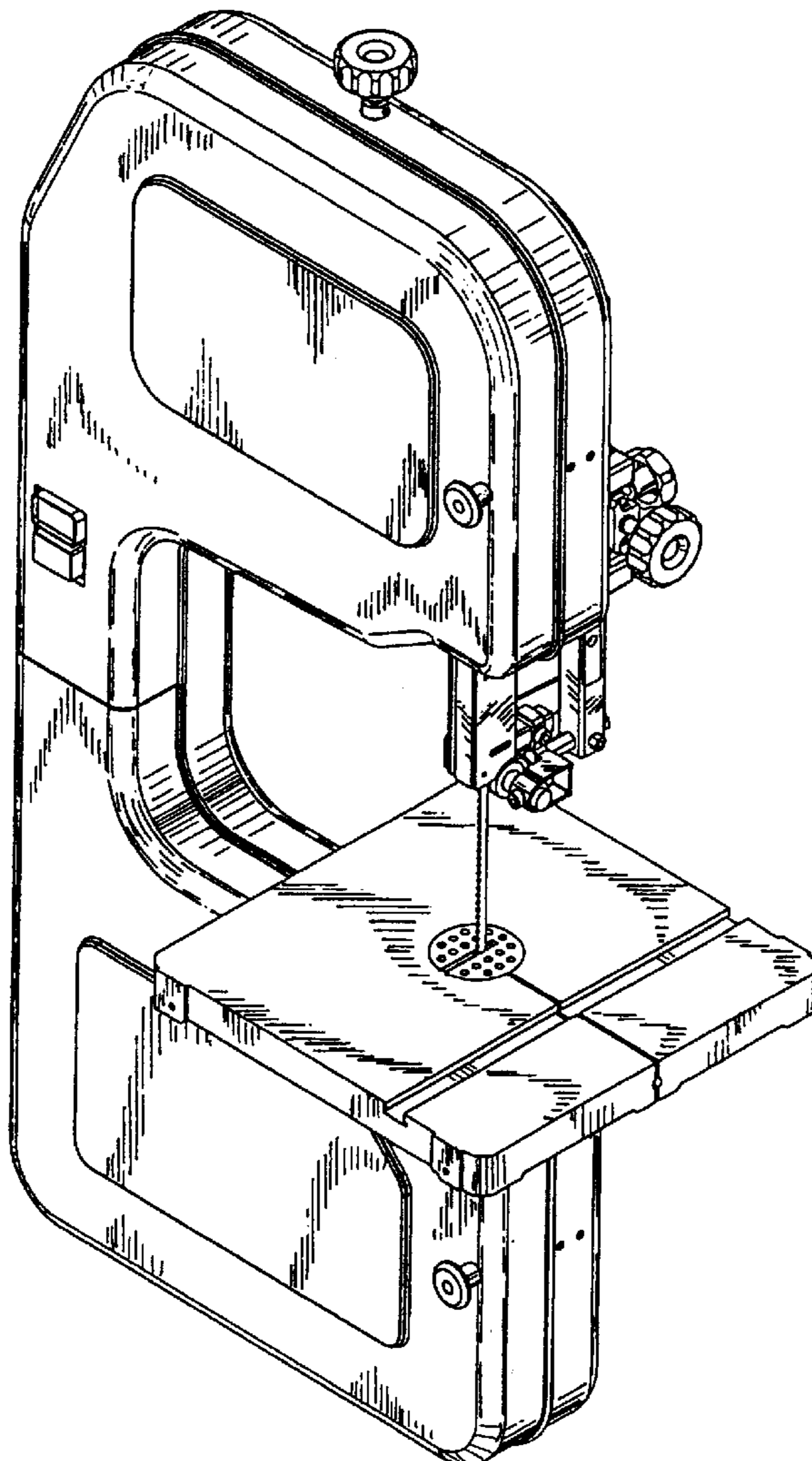
FIG. 4 shows a front elevational view of the present design.

FIG. 5 shows a bottom plan view of the present design.

FIG. 6 shows a left side elevational view of the present design; and,

FIG. 7 shows a rear elevational view of the present design.

1 Claim, 3 Drawing Sheets



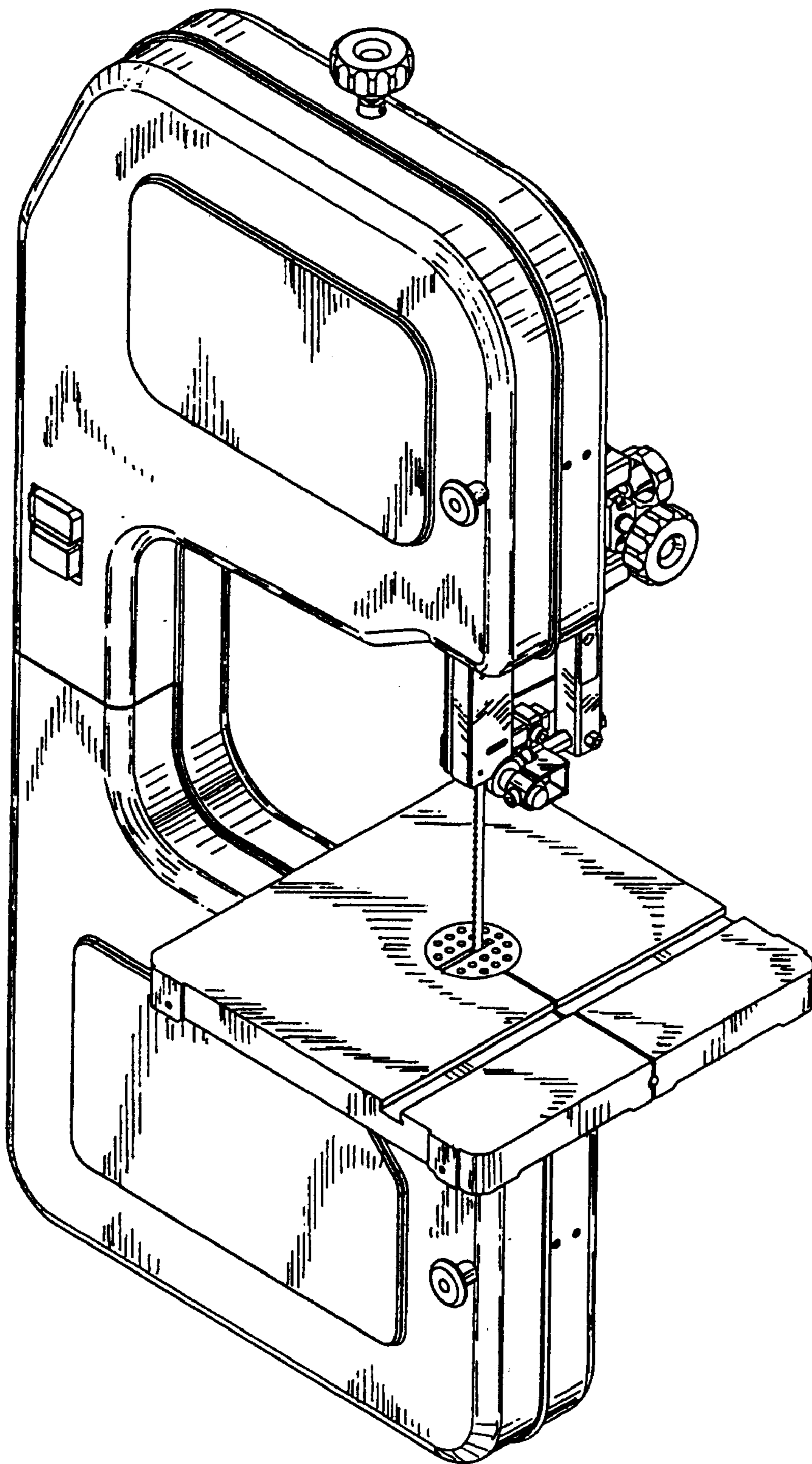


FIG. 1

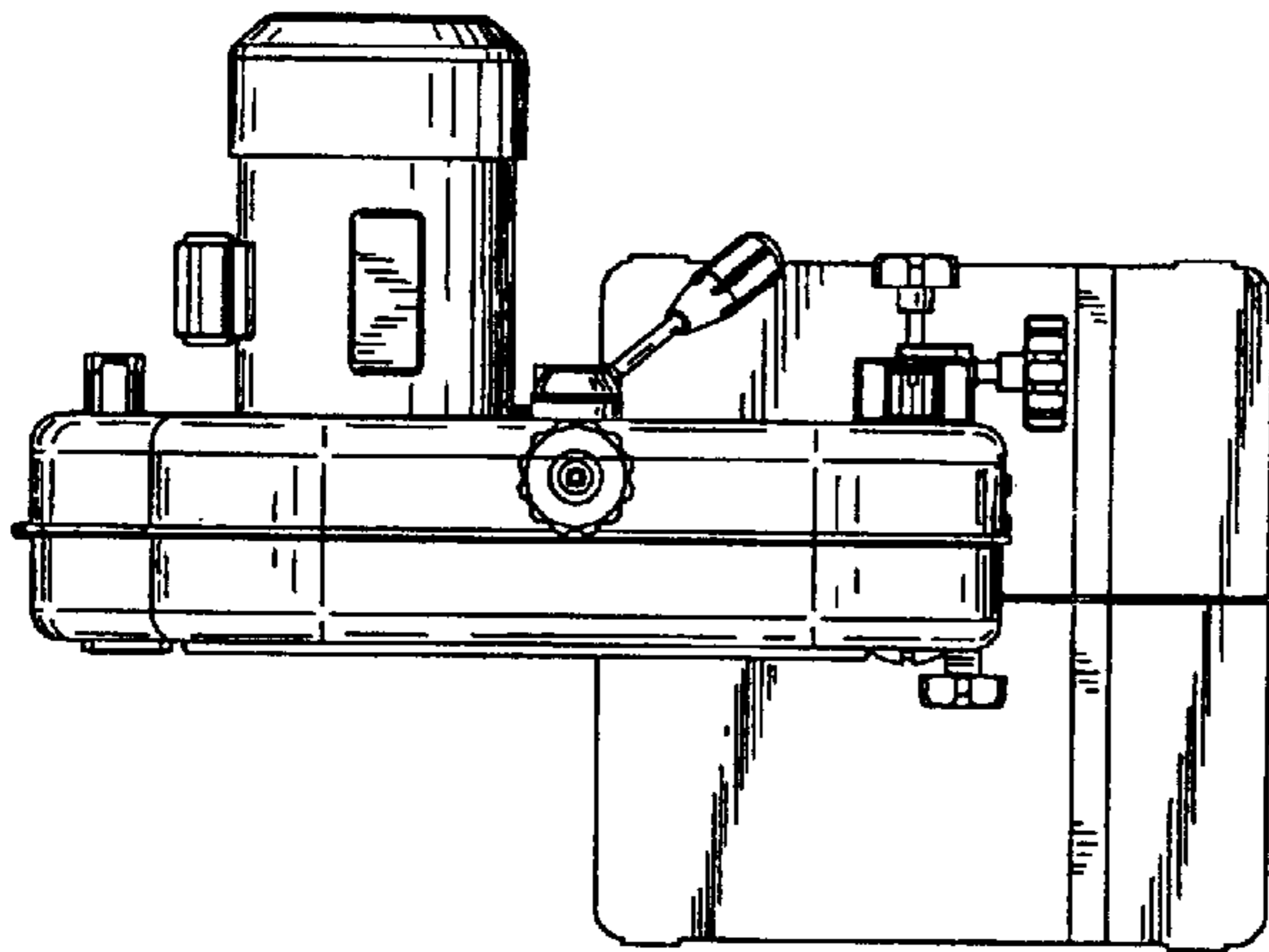


FIG. 3

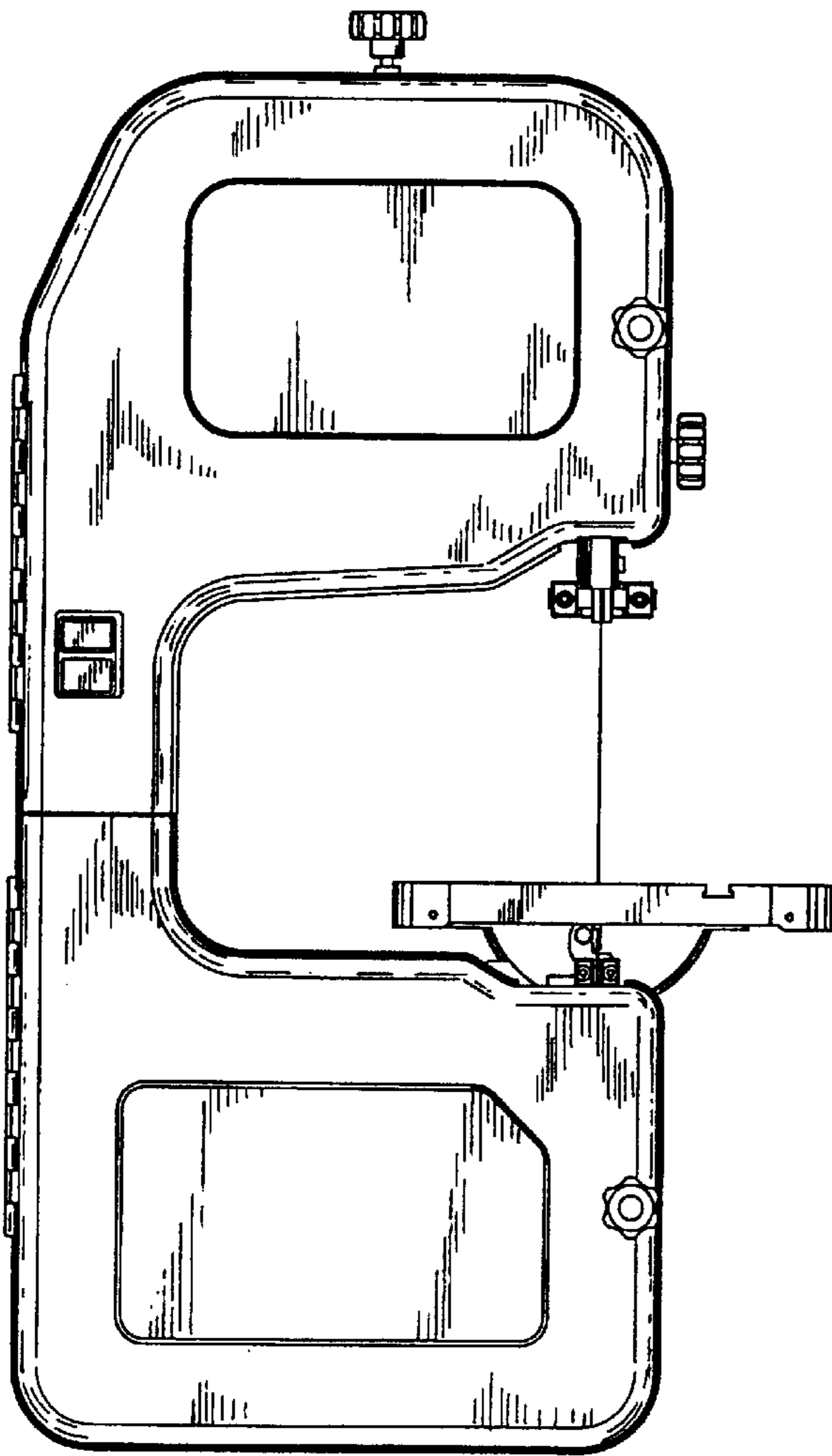


FIG. 4

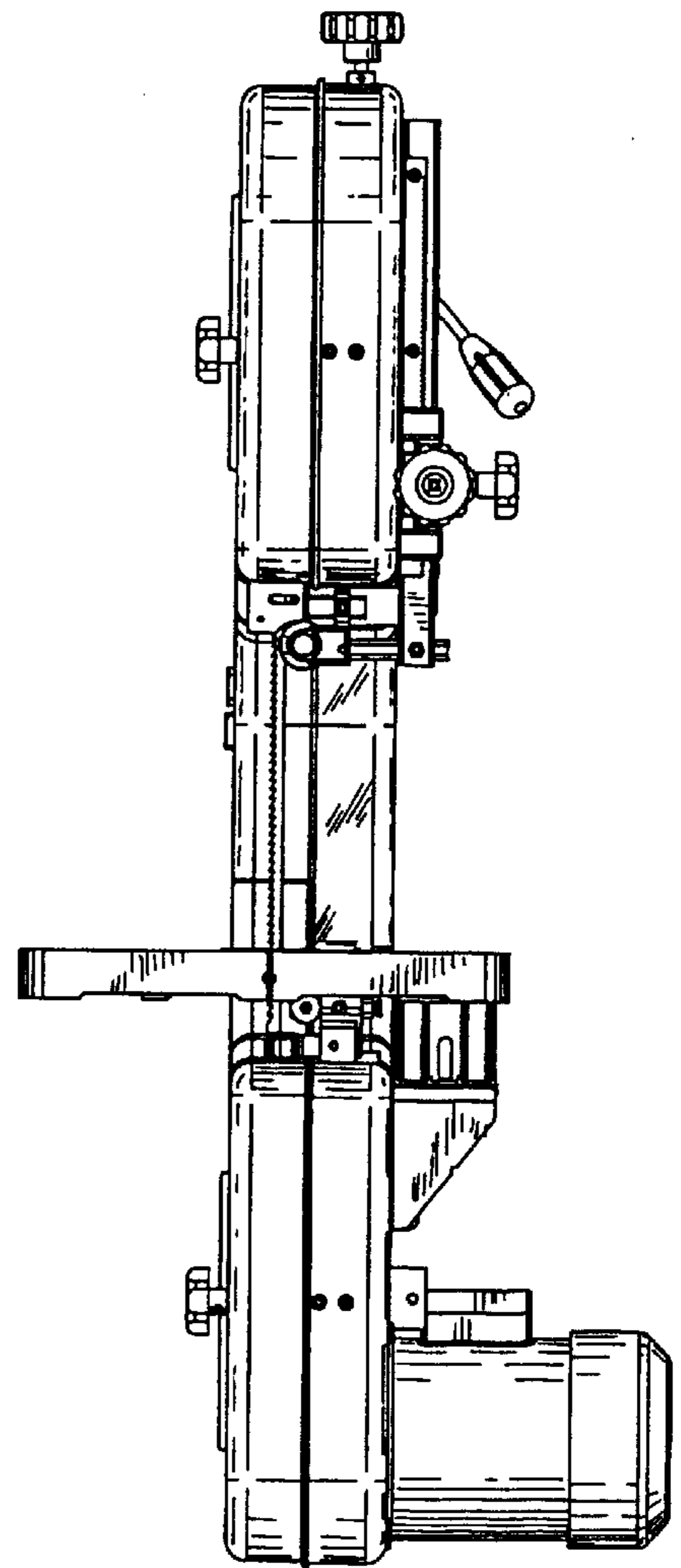


FIG. 2

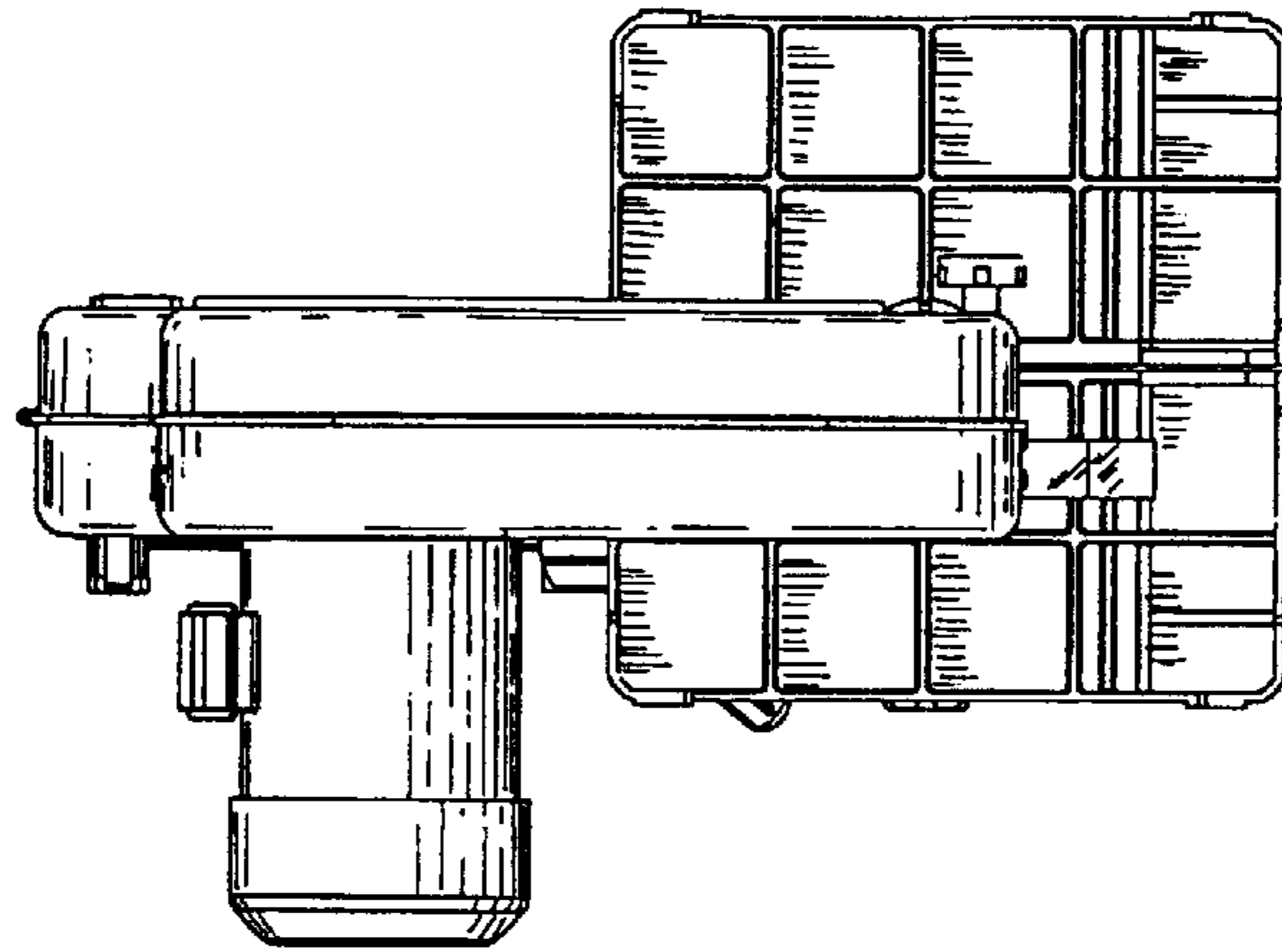


FIG. 5

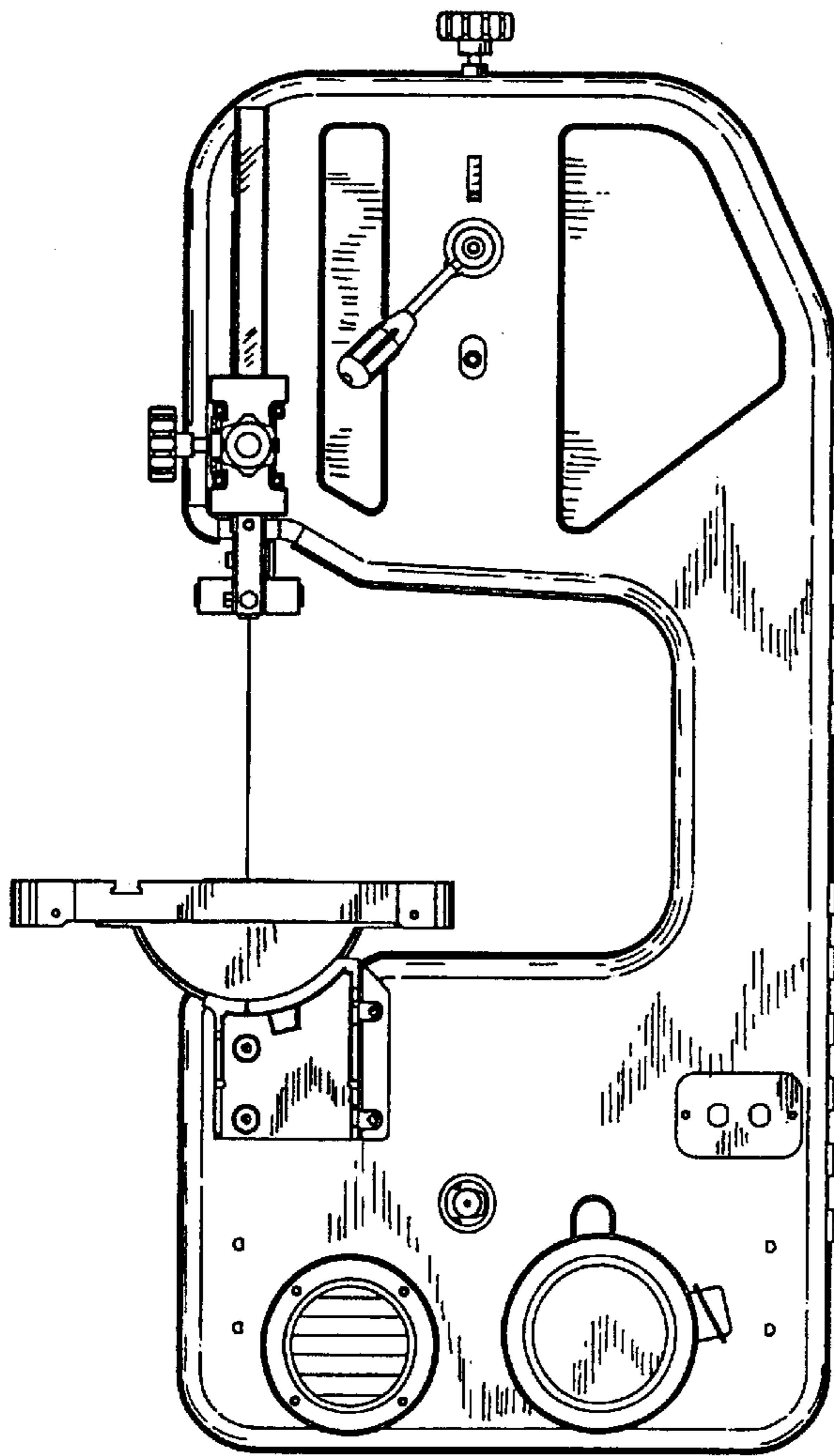


FIG. 7

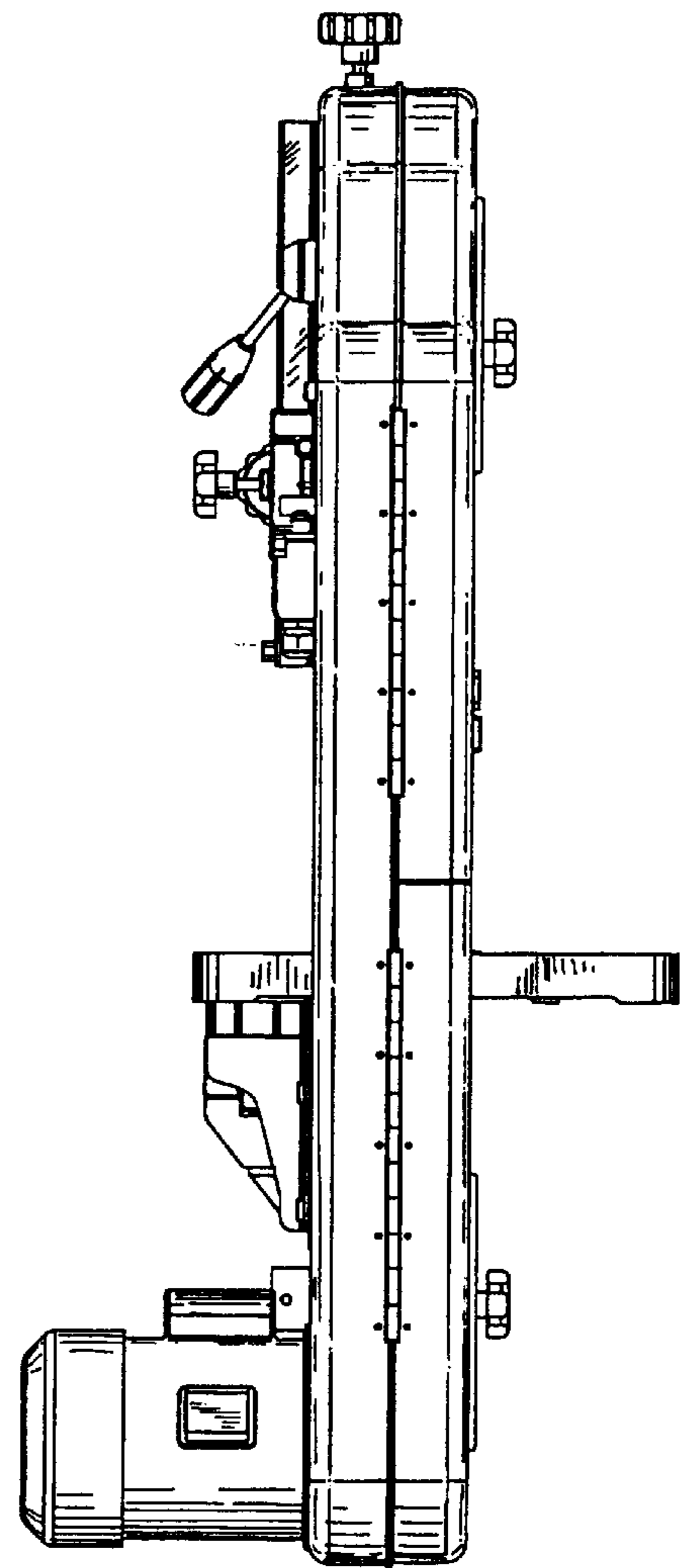


FIG. 6