



US00D478600S

(12) **United States Design Patent**
Hoshino et al.

(10) **Patent No.:** **US D478,600 S**

(45) **Date of Patent:** **** Aug. 19, 2003**

(54) **ABSORPTION CHILLER AND HEATER**

6,067,807 A * 5/2000 Reimann 62/141
6,101,839 A * 8/2000 Reimann et al. 62/476

(75) Inventors: **Toshiyuki Hoshino**, Tochigi-ken (JP);
Kazuyasu Iramina, Tochigi-ken (JP)

FOREIGN PATENT DOCUMENTS

(73) Assignees: **Sanyo Electric Co., Ltd.**, Osaka-Fu
(JP); **Sanyo Electric Air Conditioning
Co., Ltd.**, Tochigi-Ken (JP)

JP 1067540 1/2000
JP 1067541 1/2000

(**) Term: **14 Years**

* cited by examiner

(21) Appl. No.: **29/168,949**

Primary Examiner—Mitchell Siegel
(74) *Attorney, Agent, or Firm*—Weingarten, Schurgen,
Gagnebin & Lebovici LLP

(22) Filed: **Oct. 11, 2002**

(57) **CLAIM**

(30) **Foreign Application Priority Data**

The ornamental design for absorption chiller and heater, as
shown.

Apr. 15, 2002 (JP) 2002-010089

DESCRIPTION

(51) **LOC (7) Cl.** **15-07**

(52) **U.S. Cl.** **D15/79**

(58) **Field of Search** D15/79; 62/141,
62/476, 324.2, 101, 105, 475

FIG. 1 is a perspective view of absorption chiller and heating
looking from the right-side direction thereof;
FIG. 2 is a front view thereof;
FIG. 3 is a right side view thereof;
FIG. 4 is a left side view thereof;
FIG. 5 is a top view thereof;
FIG. 6 is a bottom thereof; and,
FIG. 7 is a rear view thereof.

(56) **References Cited**

U.S. PATENT DOCUMENTS

5,592,825 A * 1/1997 Inoue 62/141
5,749,244 A * 5/1998 Murayama et al. 62/476
5,901,567 A * 5/1999 Suzuki et al. 62/324.2

1 Claim, 4 Drawing Sheets

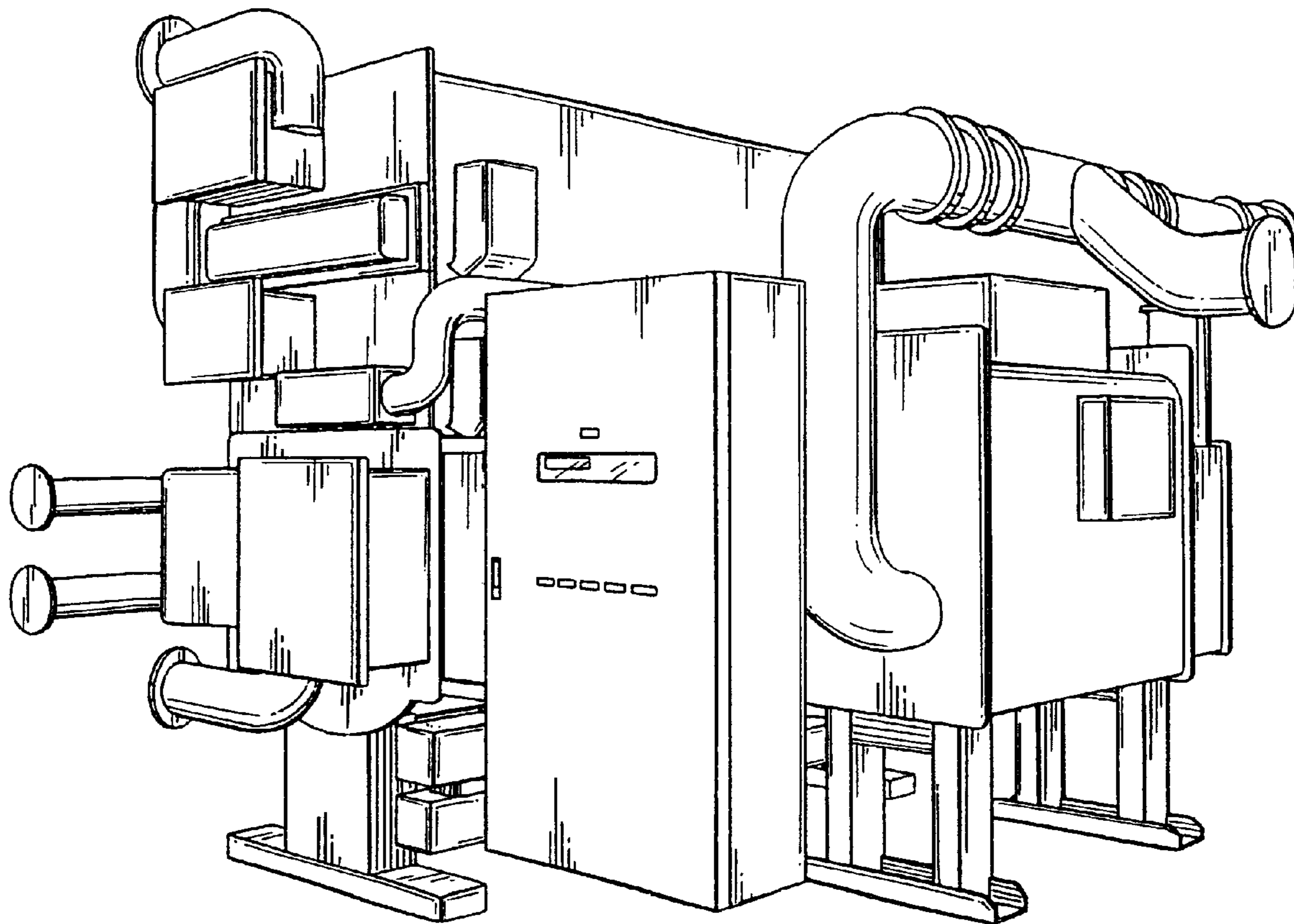


Fig. 1

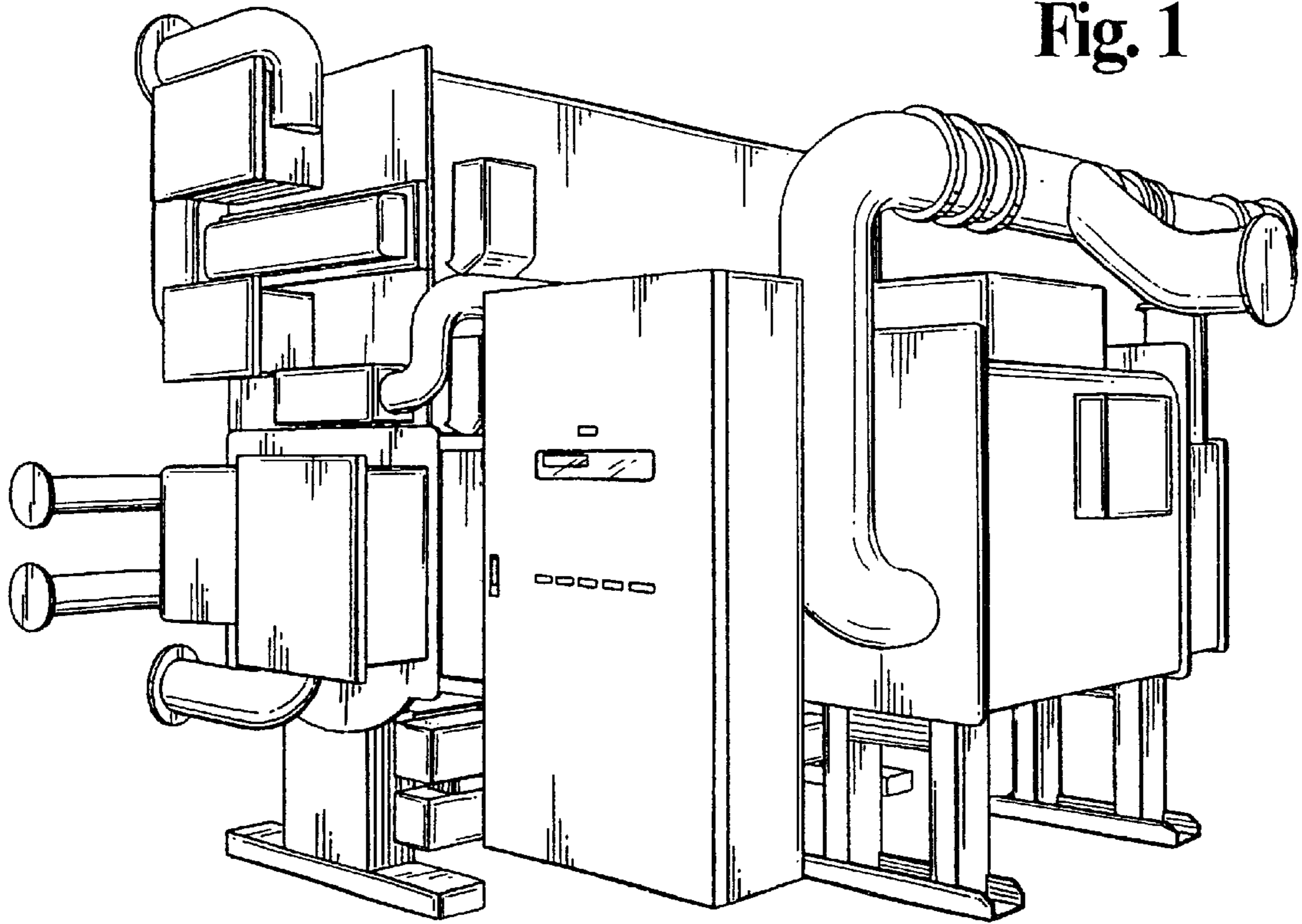
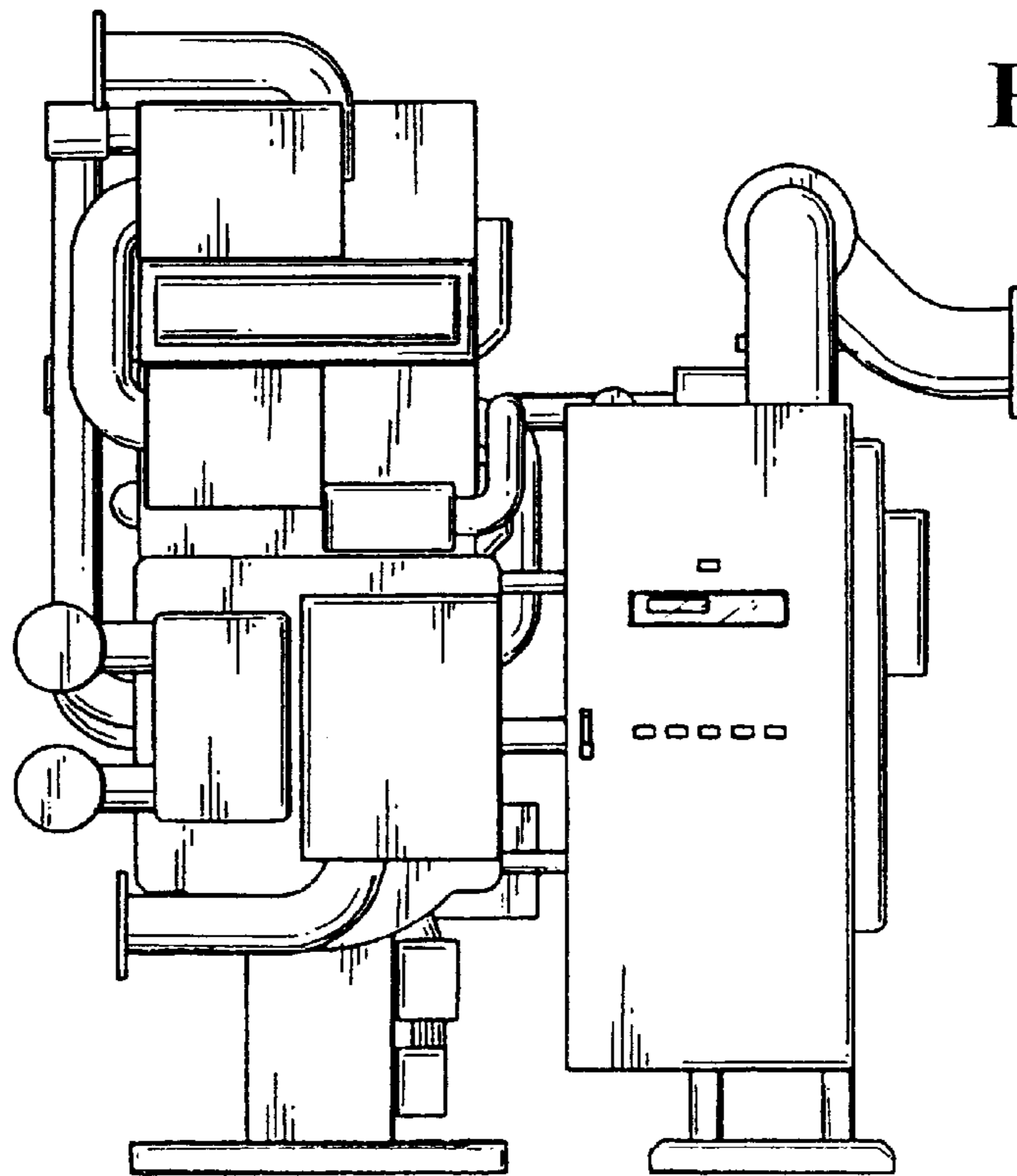


Fig. 2



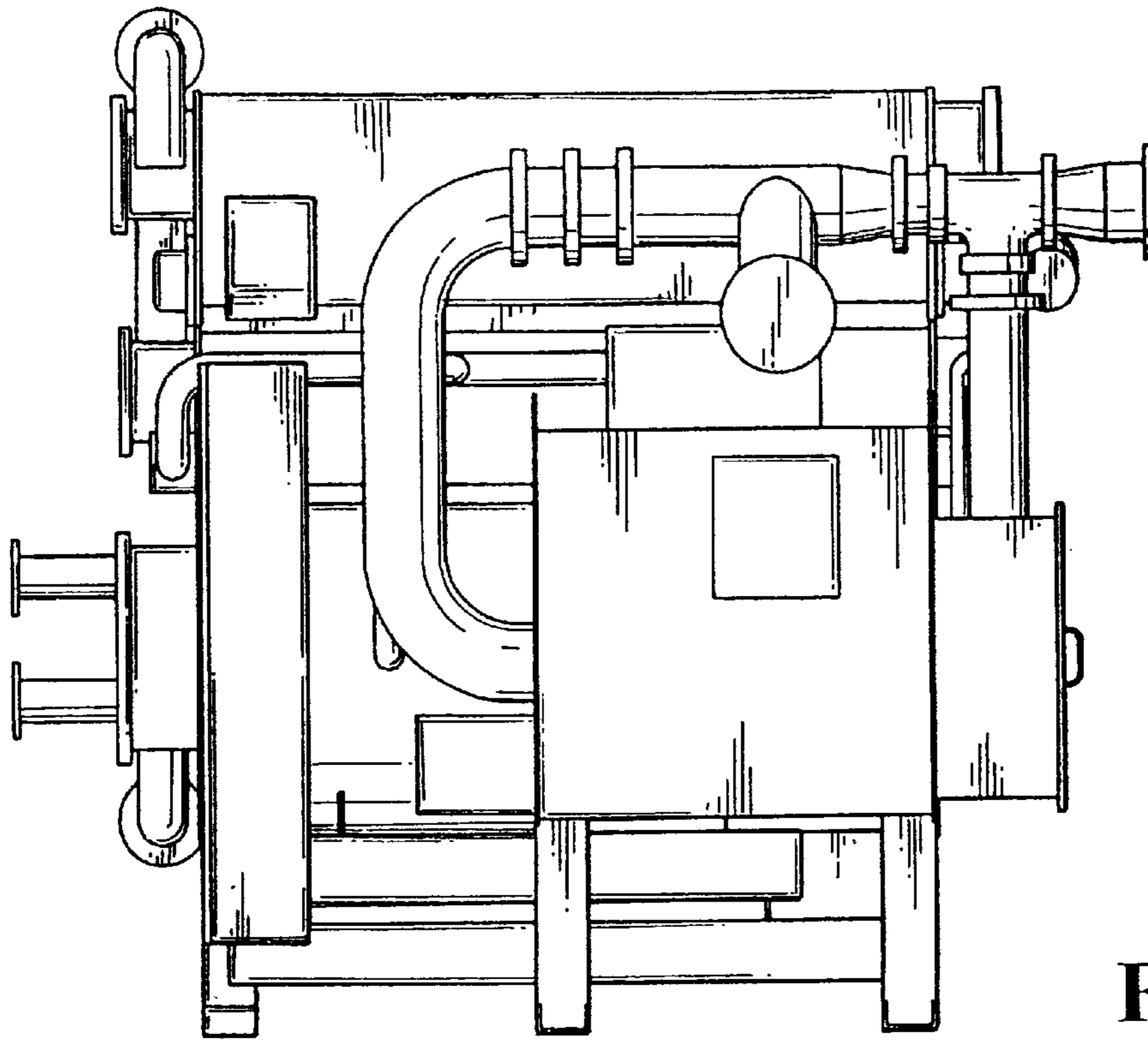
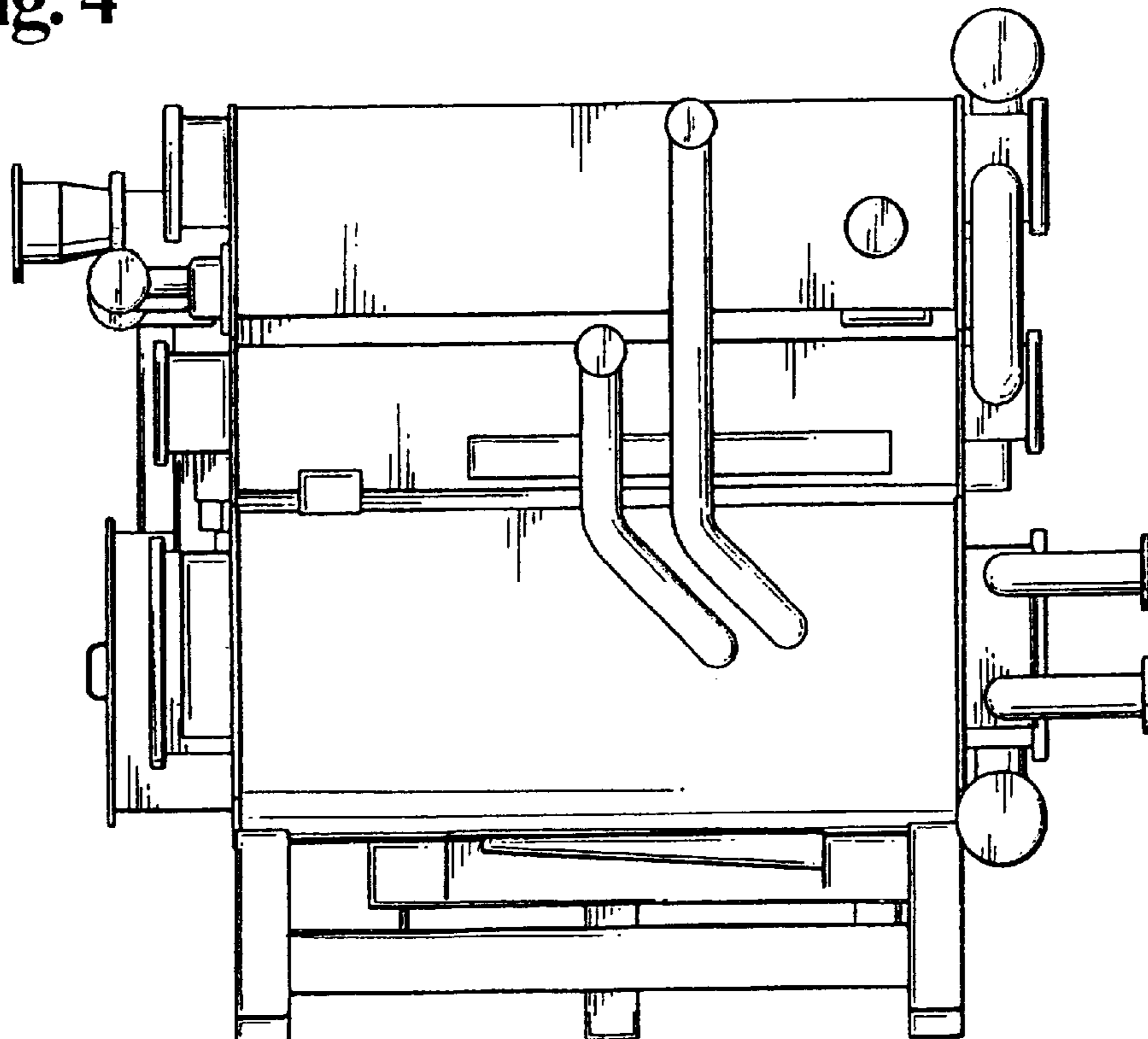


Fig. 3

Fig. 4



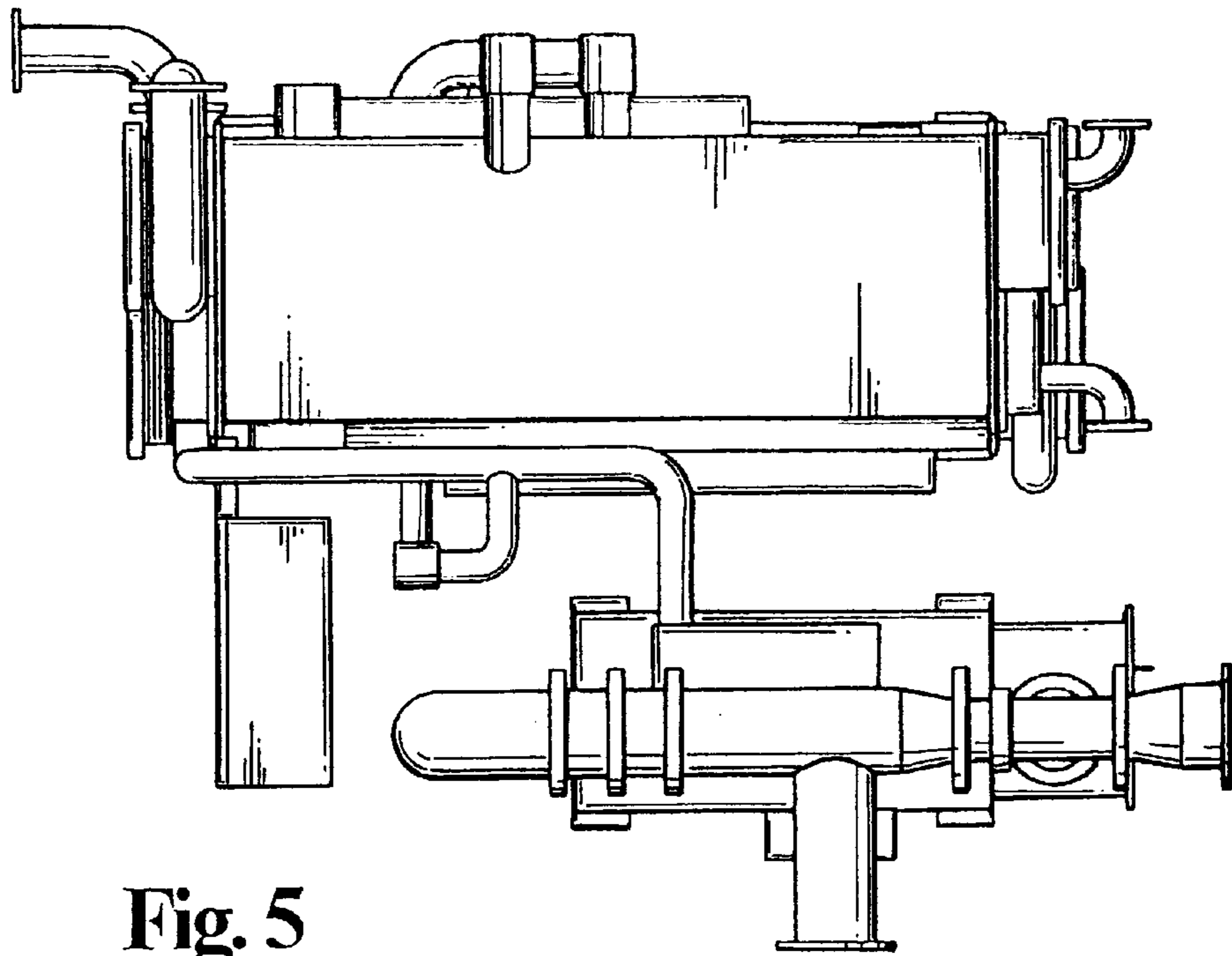


Fig. 5

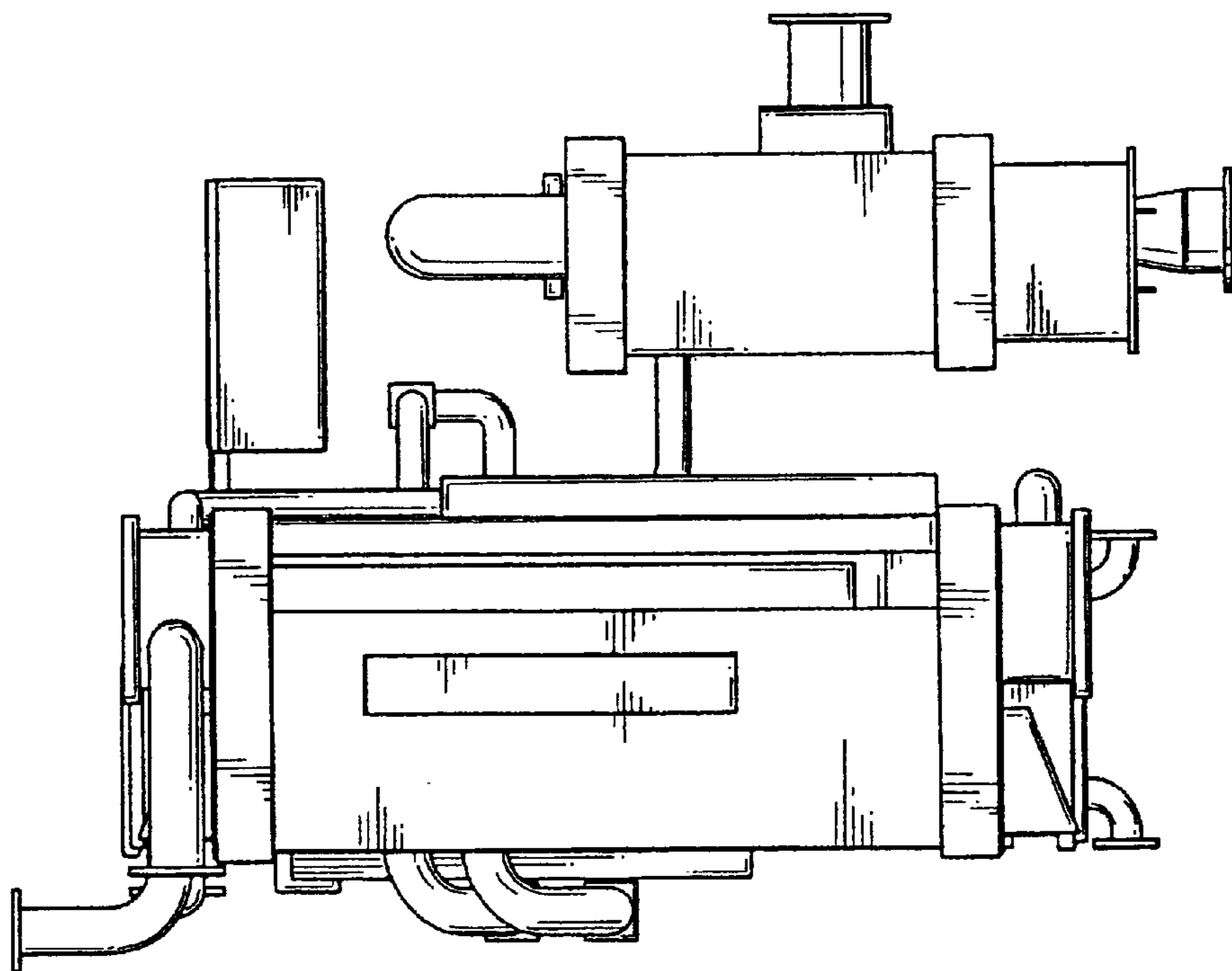


Fig. 6

Fig. 7

