



US00D478588S

(12) **United States Design Patent**
Watanabe et al.

(10) **Patent No.:** **US D478,588 S**

(45) **Date of Patent:** **** Aug. 19, 2003**

(54) **OPTICAL DISC MEMORY**

(75) Inventors: **Takashi Watanabe**, Tokyo (JP); **Taku Sato**, Tokyo (JP)

(73) Assignee: **Teac Corporation**, Tokyo (JP)

(**) Term: **14 Years**

(21) Appl. No.: **29/165,060**

(22) Filed: **Aug. 6, 2002**

(30) **Foreign Application Priority Data**

Feb. 12, 2002 (JP) 2002-003352

(51) **LOC (7) Cl.** **14-02**

(52) **U.S. Cl.** **D14/366**

(58) **Field of Search** D14/360-370;
D13/162, 184, 199; 312/223.1-223.3; 360/99.01-99.12,
97.01; 361/690-696; 369/34.01, 36.01

(56) **References Cited**

U.S. PATENT DOCUMENTS

D302,150 S * 7/1989 Hara D14/368
5,235,481 A * 8/1993 Kamo et al. 360/97.01

D372,022 S * 7/1996 Sawada et al. D14/366
D382,863 S * 8/1997 Horiuchi et al. D14/366
D387,740 S * 12/1997 Kondo D14/368

* cited by examiner

Primary Examiner—Freda Nunn

(74) *Attorney, Agent, or Firm*—Kanesaka & Takeuchi

(57) **CLAIM**

The ornamental design for an optical disc memory, as shown and described.

DESCRIPTION

FIG. 1 is a front view of an optical disc memory showing our new design;

FIG. 2 is a top plan view thereof;

FIG. 3 is a bottom plan view thereof;

FIG. 4 is a left side view thereof;

FIG. 5 is a right side view thereof;

FIG. 6 is a rear view thereof;

FIG. 7 is a perspective view thereof; and,

FIG. 8 is a perspective view thereof in a state that a tray of the optical disc memory is drawn out.

1 Claim, 3 Drawing Sheets

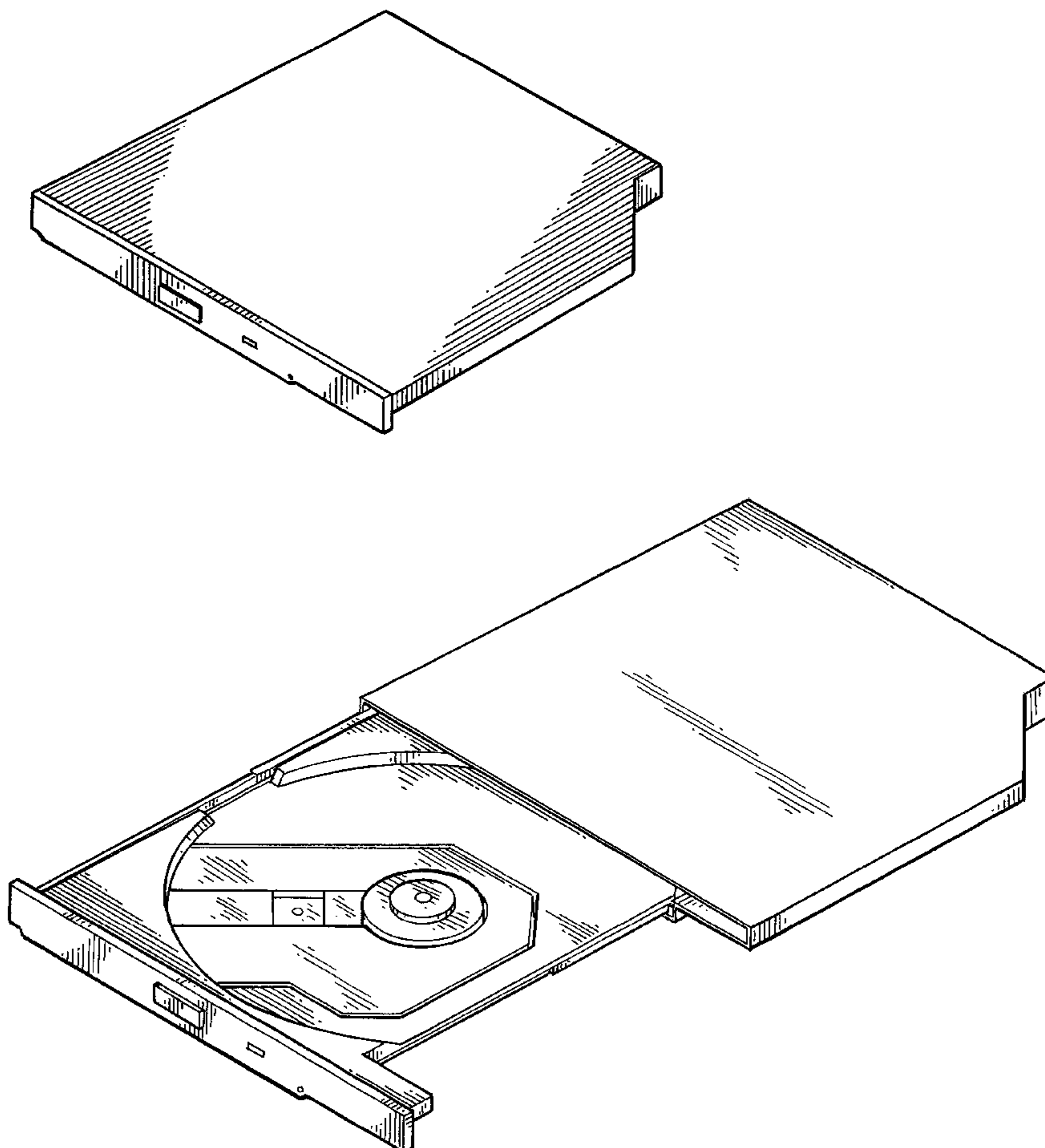




FIG. 1

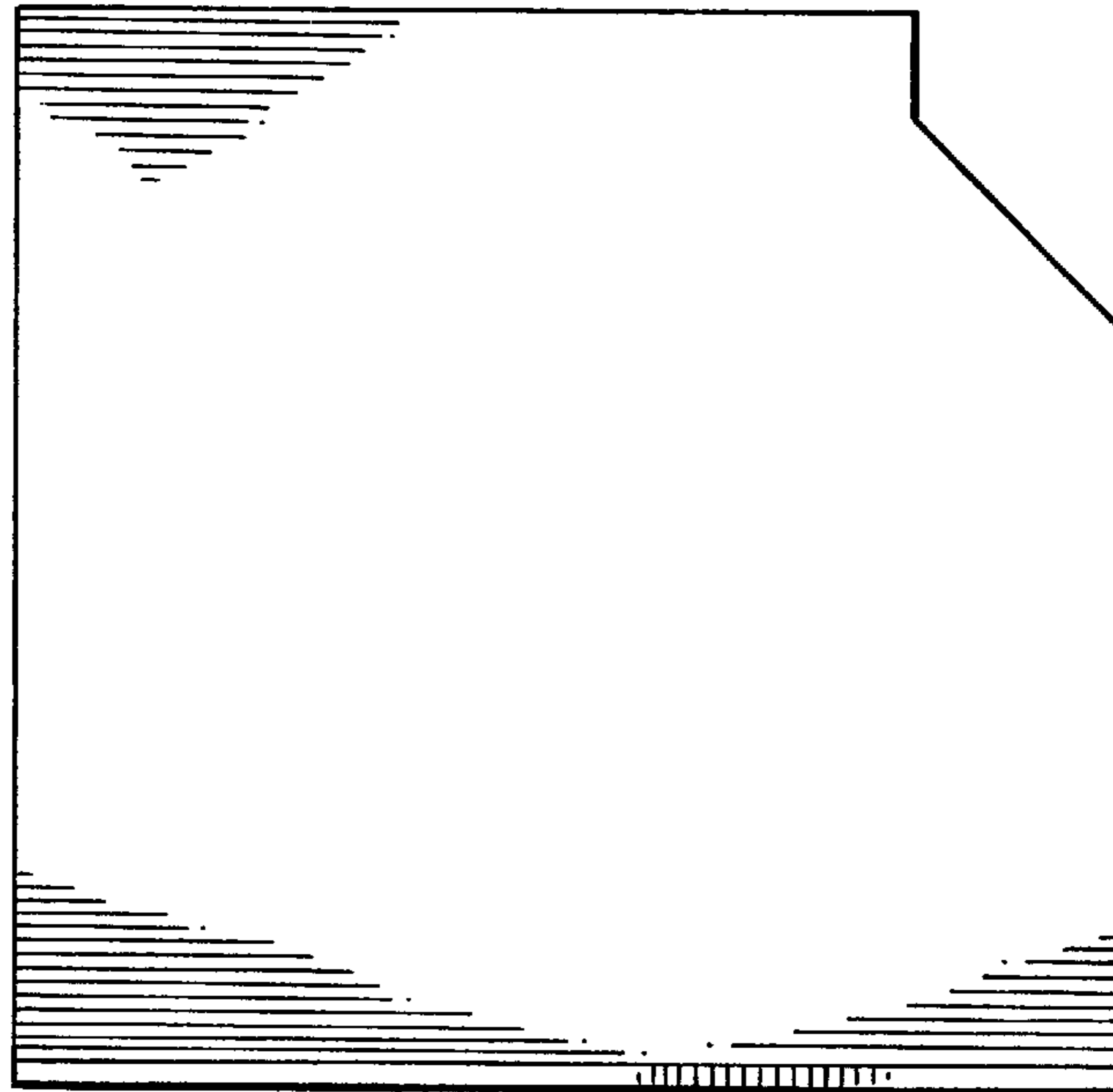


FIG. 2

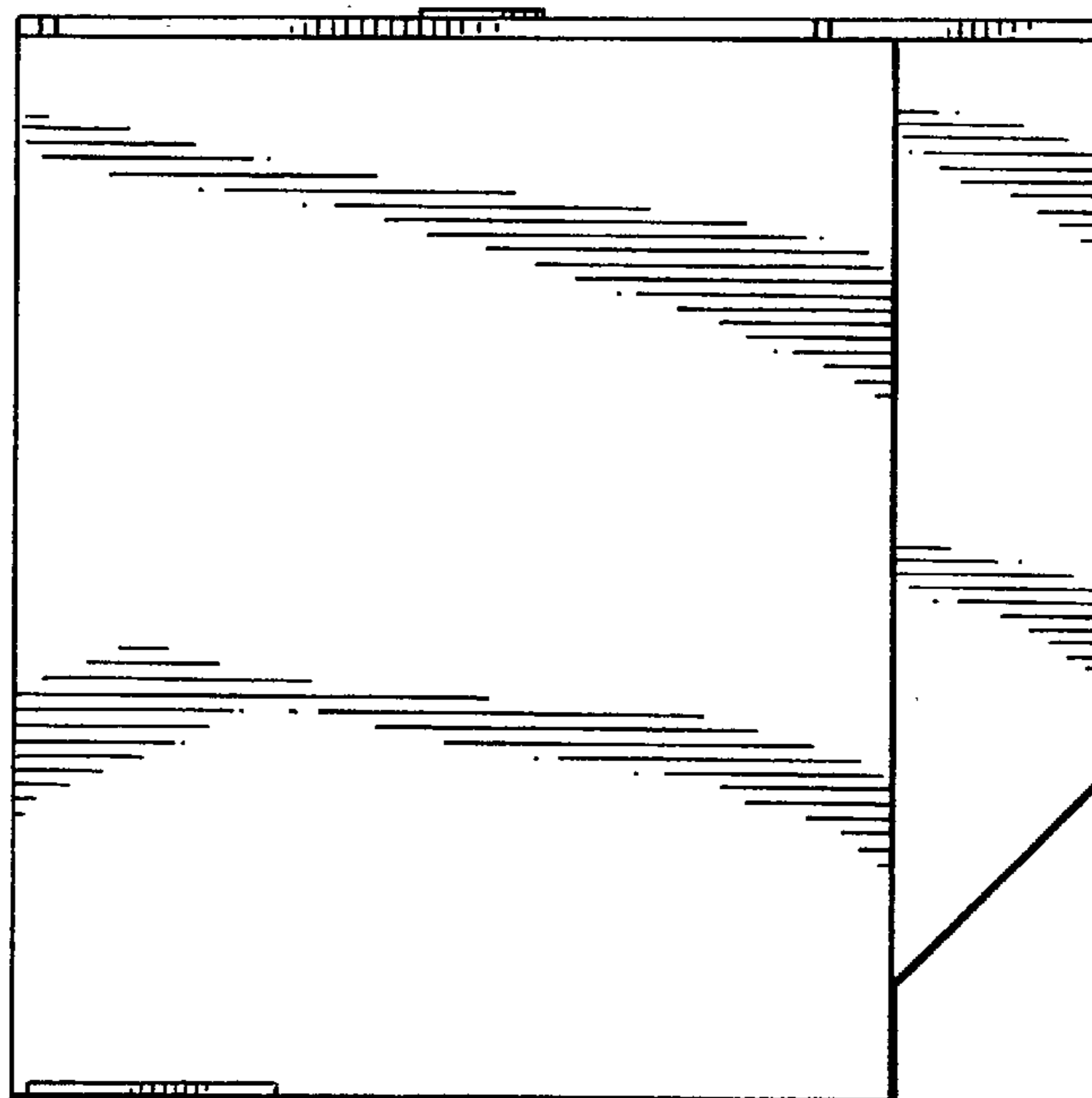


FIG. 3

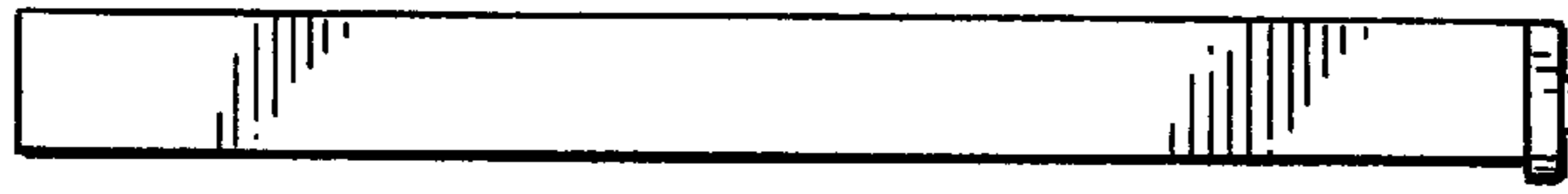


FIG. 4



FIG. 5

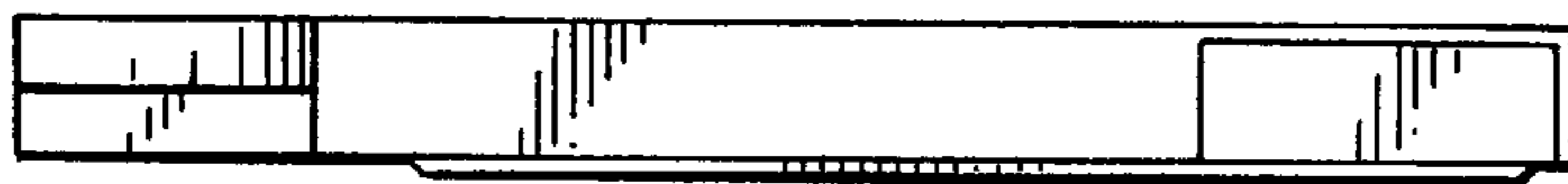


FIG. 6

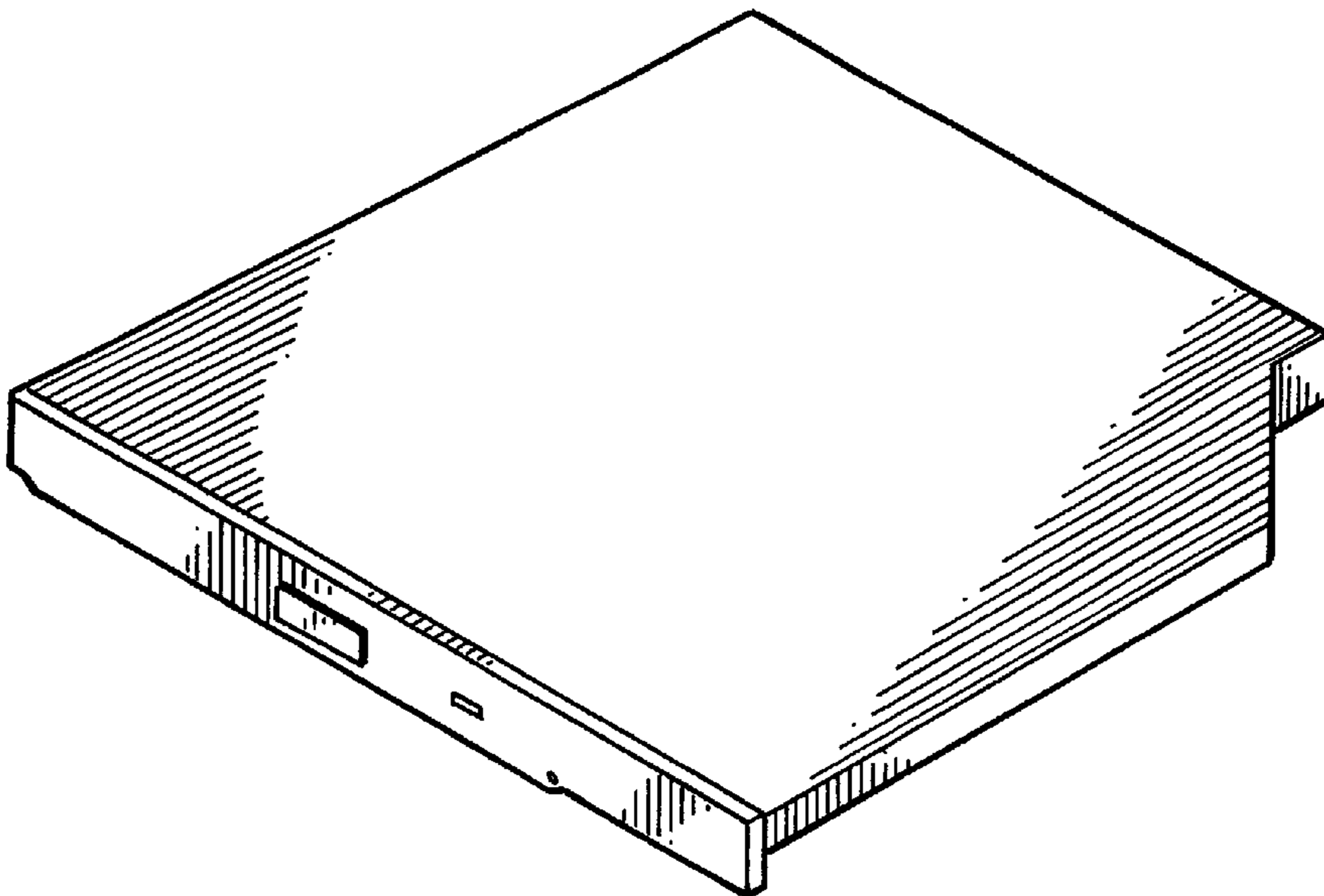


FIG. 7

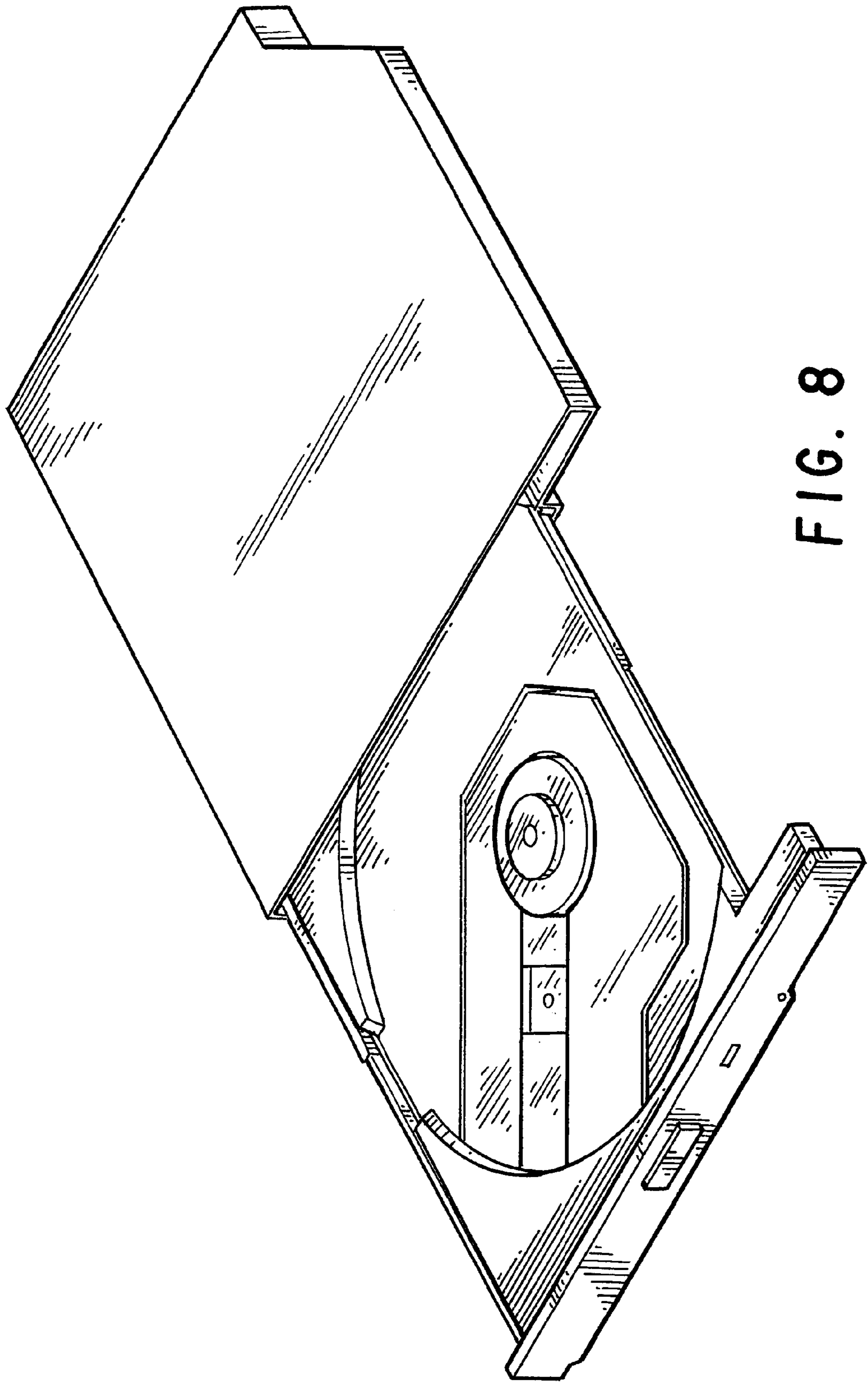


FIG. 8