



US00D478587S

(12) **United States Design Patent**
Su

(10) **Patent No.:** **US D478,587 S**

(45) **Date of Patent:** **** Aug. 19, 2003**

(54) **CARRIED IMAGE PROCESSOR**

5,959,834 A * 9/1999 Chang 361/685

(75) Inventor: **Jone Su, Hsin-Chu (TW)**

* cited by examiner

(73) Assignee: **Aiptek International Inc., Hsin-Chu (TW)**

Primary Examiner—Freda Nunn

(74) *Attorney, Agent, or Firm*—Rosenberg, Klein & Lee

(**) Term: **14 Years**

(57) **CLAIM**

(21) Appl. No.: **29/153,541**

The ornamental design for carried image processor, as shown and described.

(22) Filed: **Jan. 11, 2002**

DESCRIPTION

(51) **LOC (7) Cl.** **14-02**

(52) **U.S. Cl.** **D14/356**

(58) **Field of Search** D14/363–370,
D14/356, 358, 433; D13/162, 184, 199;
312/223.1–223.3; 360/99.01–99.12, 98.04,
69; 361/690–696, 685; 369/34.01, 36.01

FIG. 1 is a top plan view of carried image processor showing my new design;

FIG. 2 is a front elevational view of carried image processor showing my new design;

FIG. 3 is a rear elevational view of carried image processor showing my new design;

FIG. 4 is a right side elevational view of carried image processor showing my new design;

FIG. 5 is a left side elevational view of carried image processor showing my new design;

FIG. 6 is a bottom plan view of carried image processor showing my new design; and,

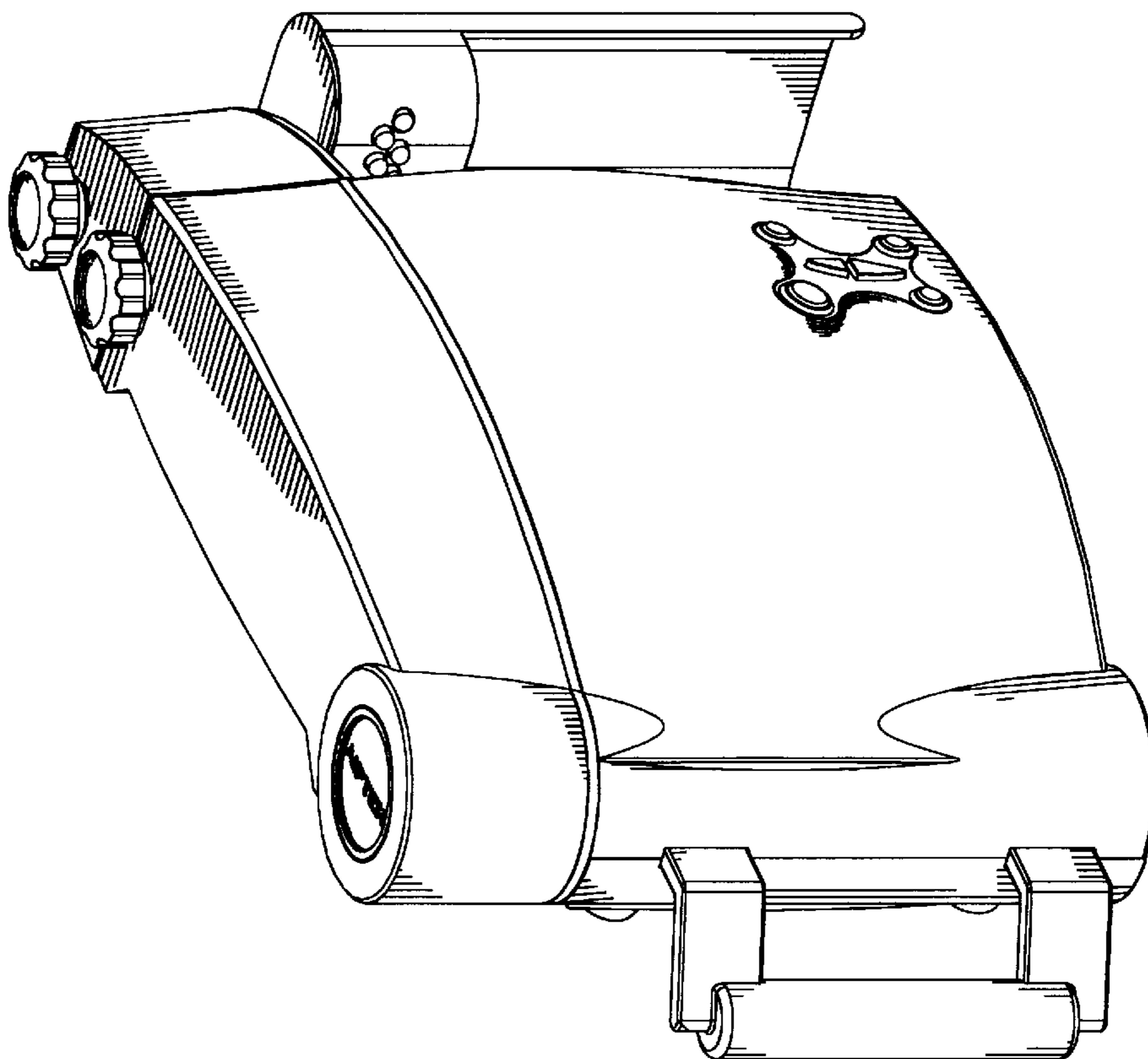
FIG. 7 is a three dimensional view of carried image processor showing my new design.

(56) **References Cited**

U.S. PATENT DOCUMENTS

4,833,554 A	*	5/1989	Dalziel et al.	360/98.04
D338,458 S	*	8/1993	Guo	D14/367
5,253,129 A	*	10/1993	Blackborow et al.	360/69
D358,141 S	*	5/1995	Pecone et al.	D14/367
D396,706 S	*	8/1998	Rao	D14/433
D397,674 S	*	9/1998	Rao	D14/433
D404,383 S	*	1/1999	Chang	D14/367

1 Claim, 5 Drawing Sheets



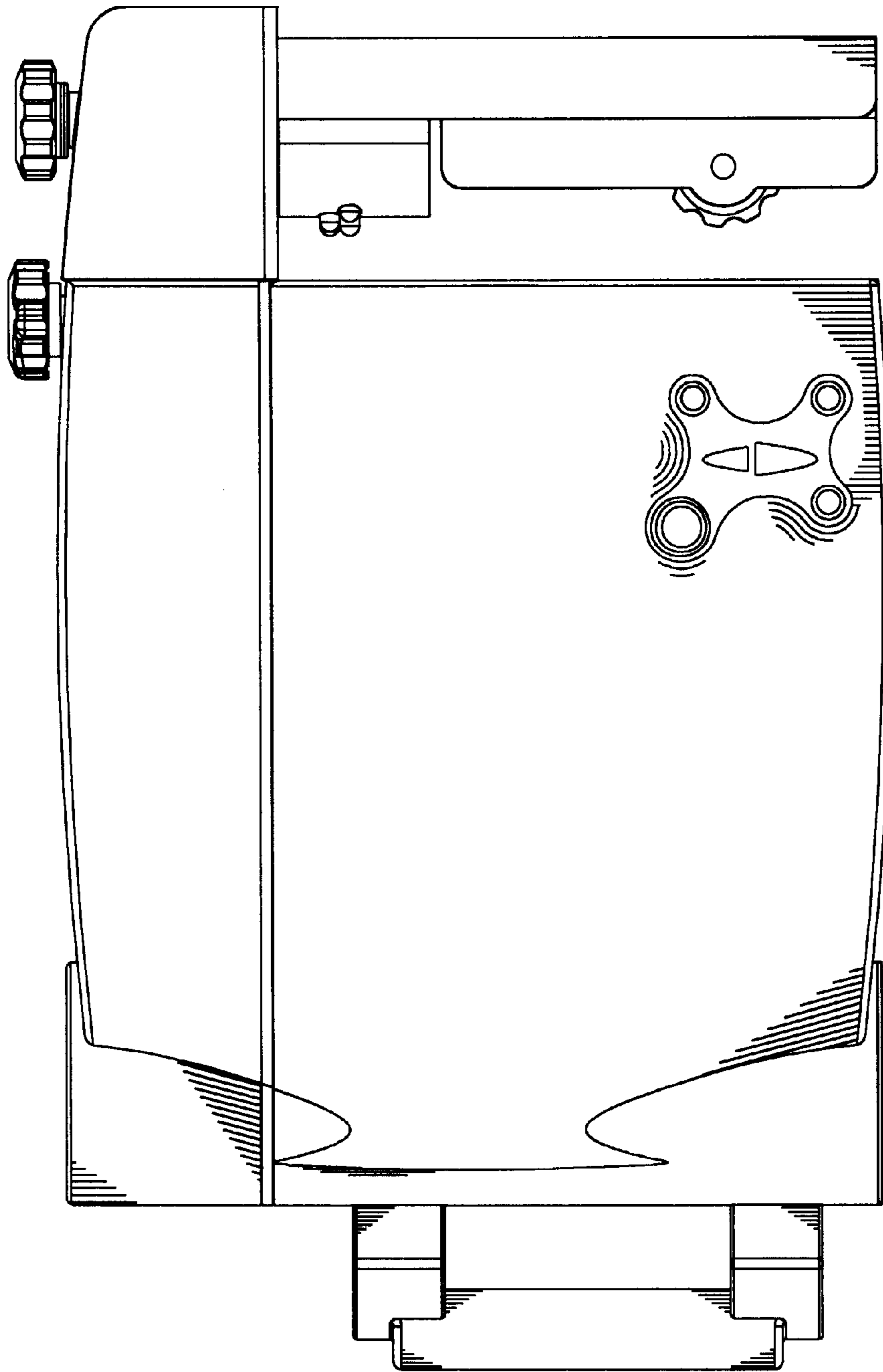


FIG.1

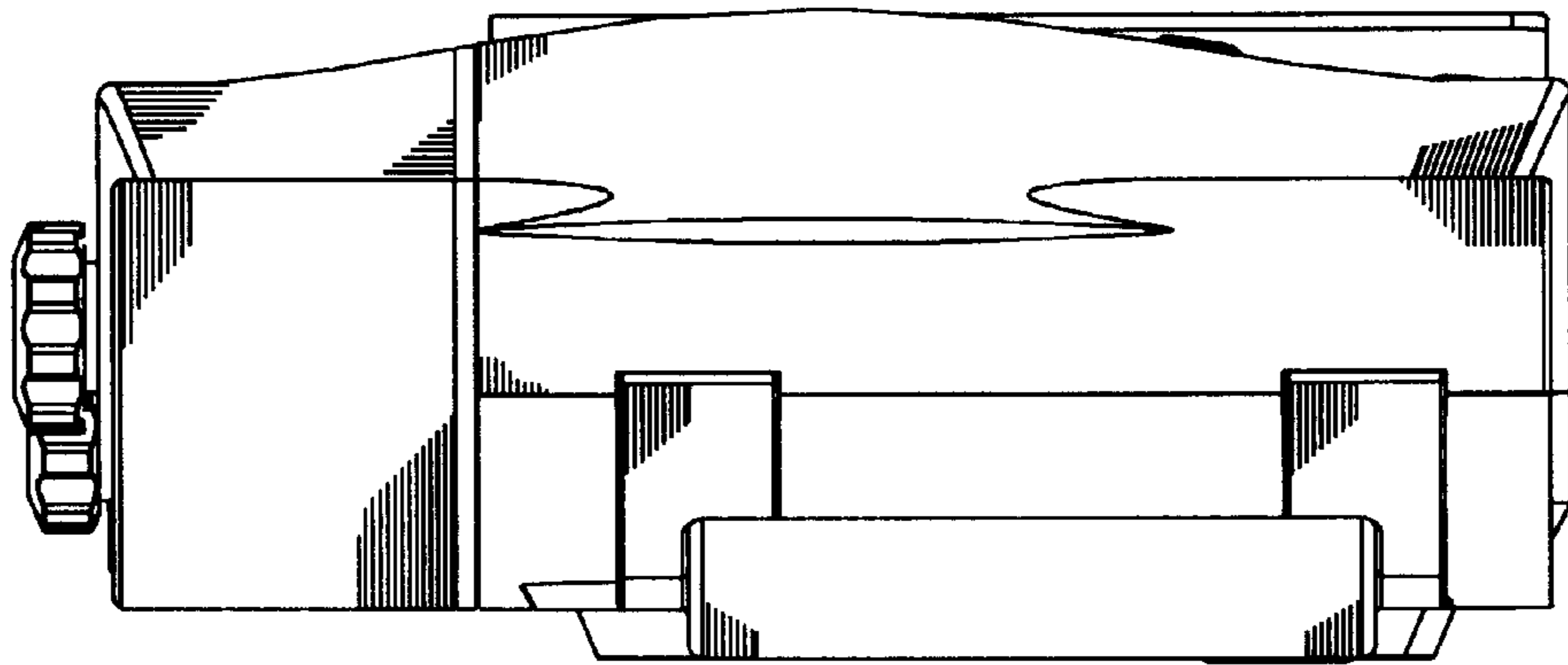


FIG. 2

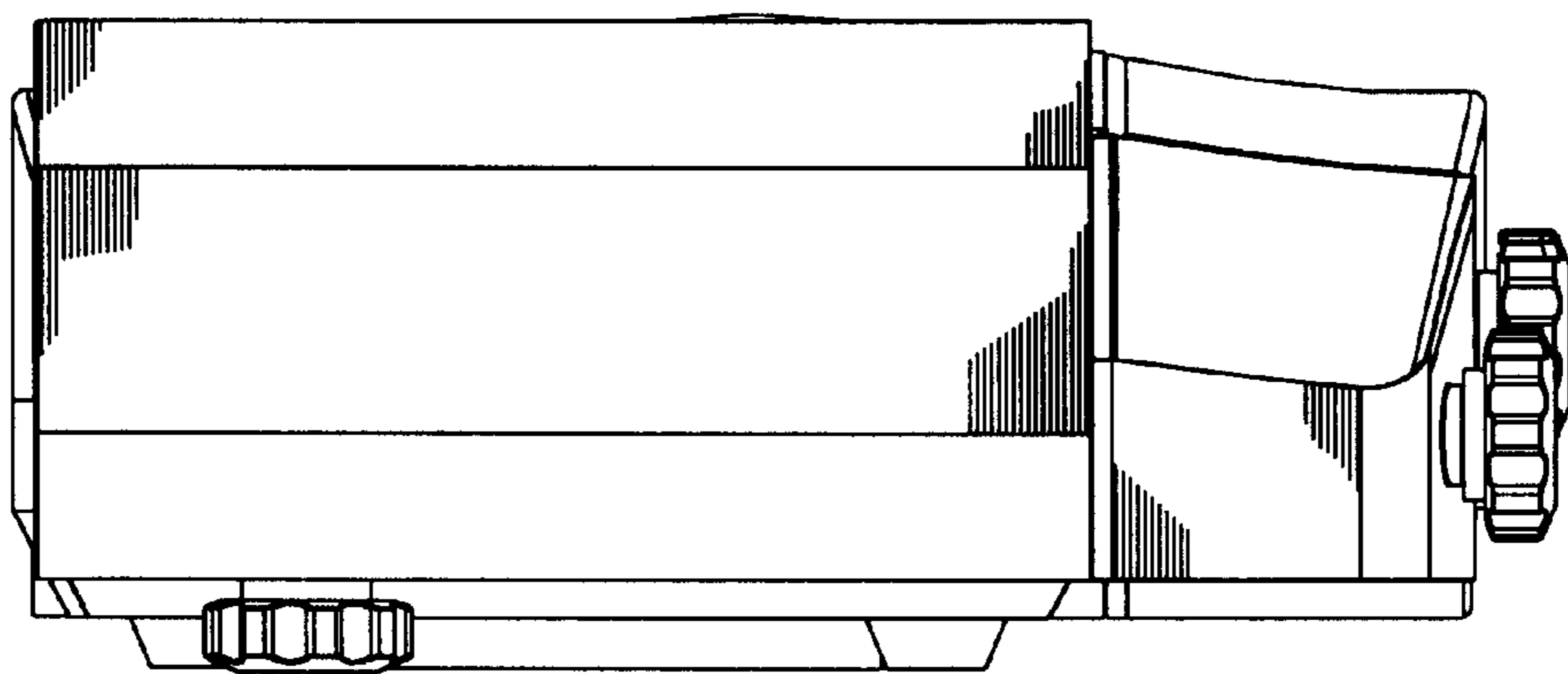


FIG. 3

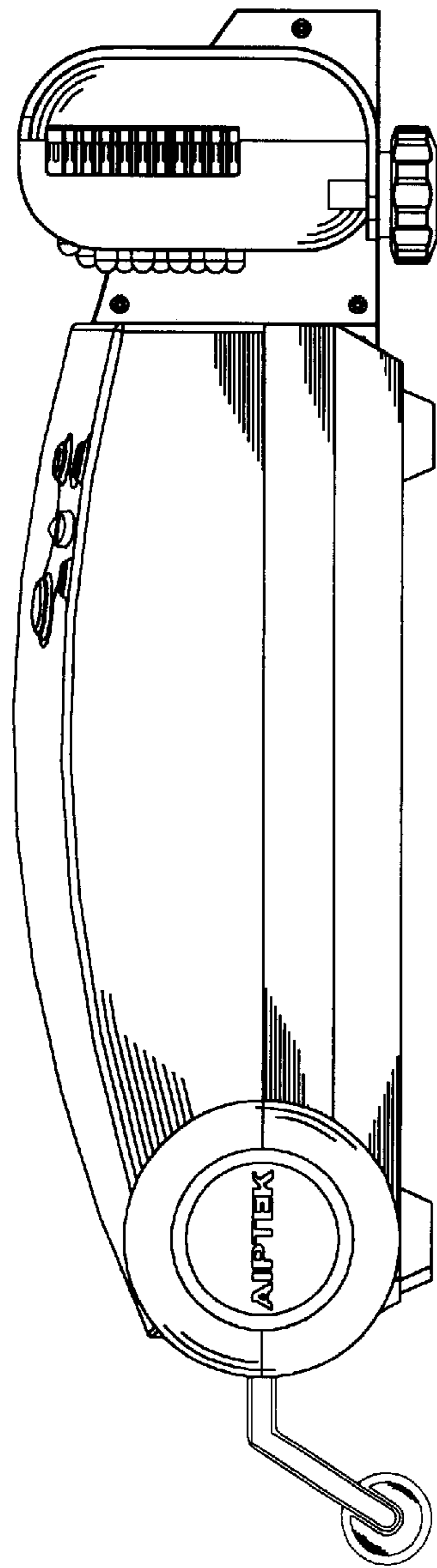


FIG. 4

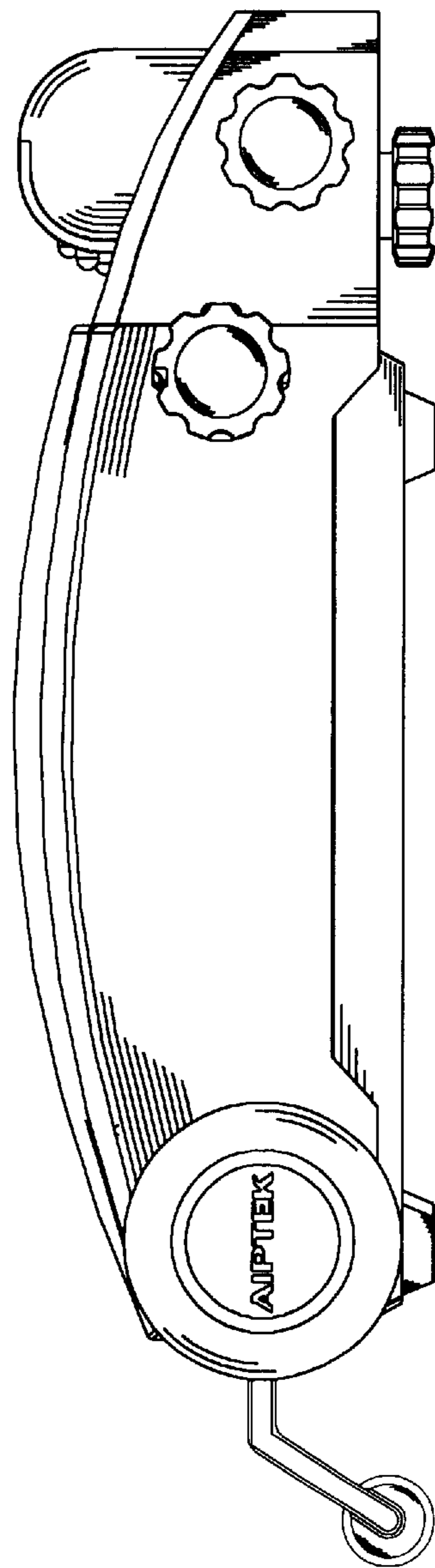


FIG. 5

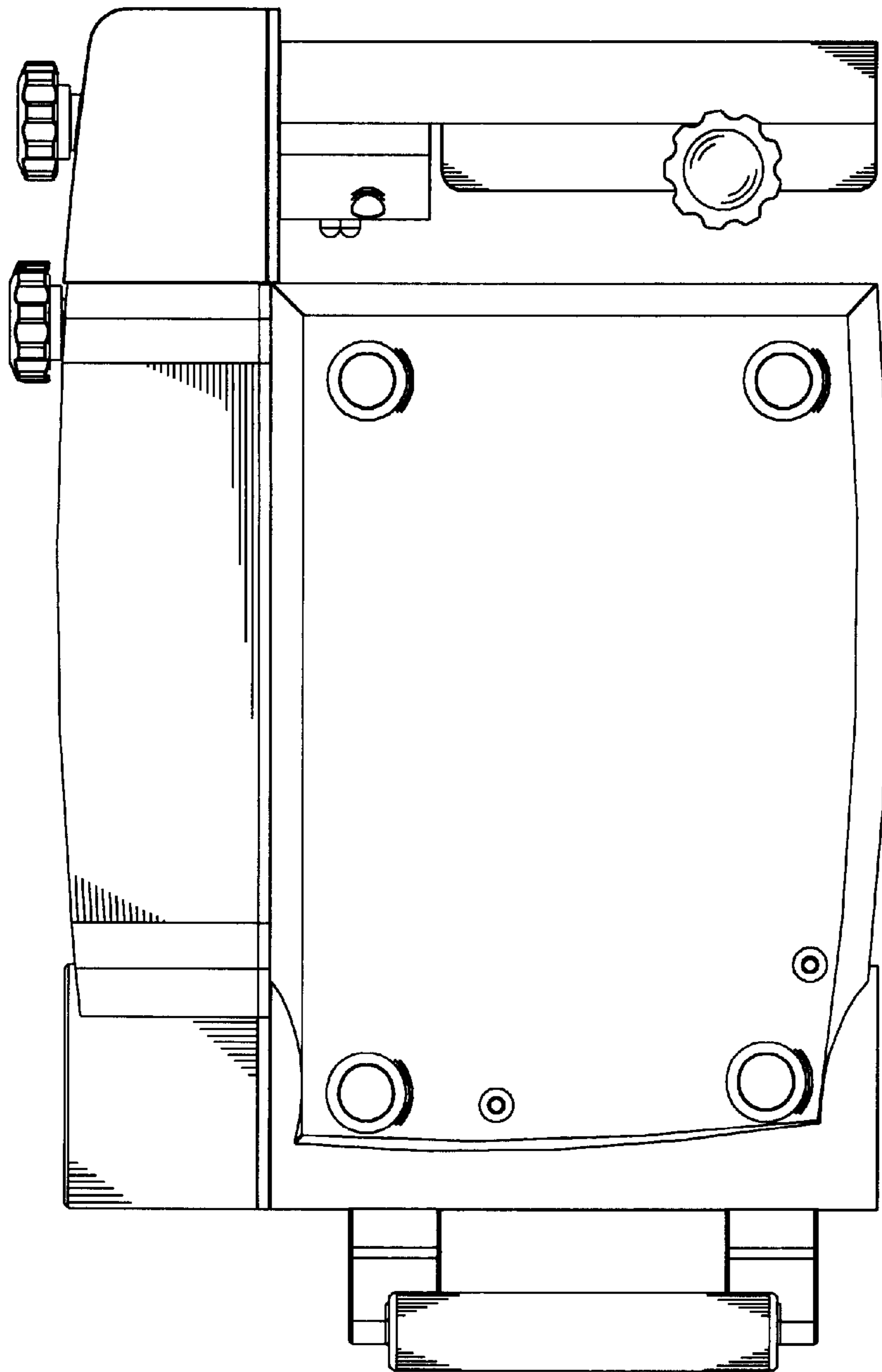


FIG. 6

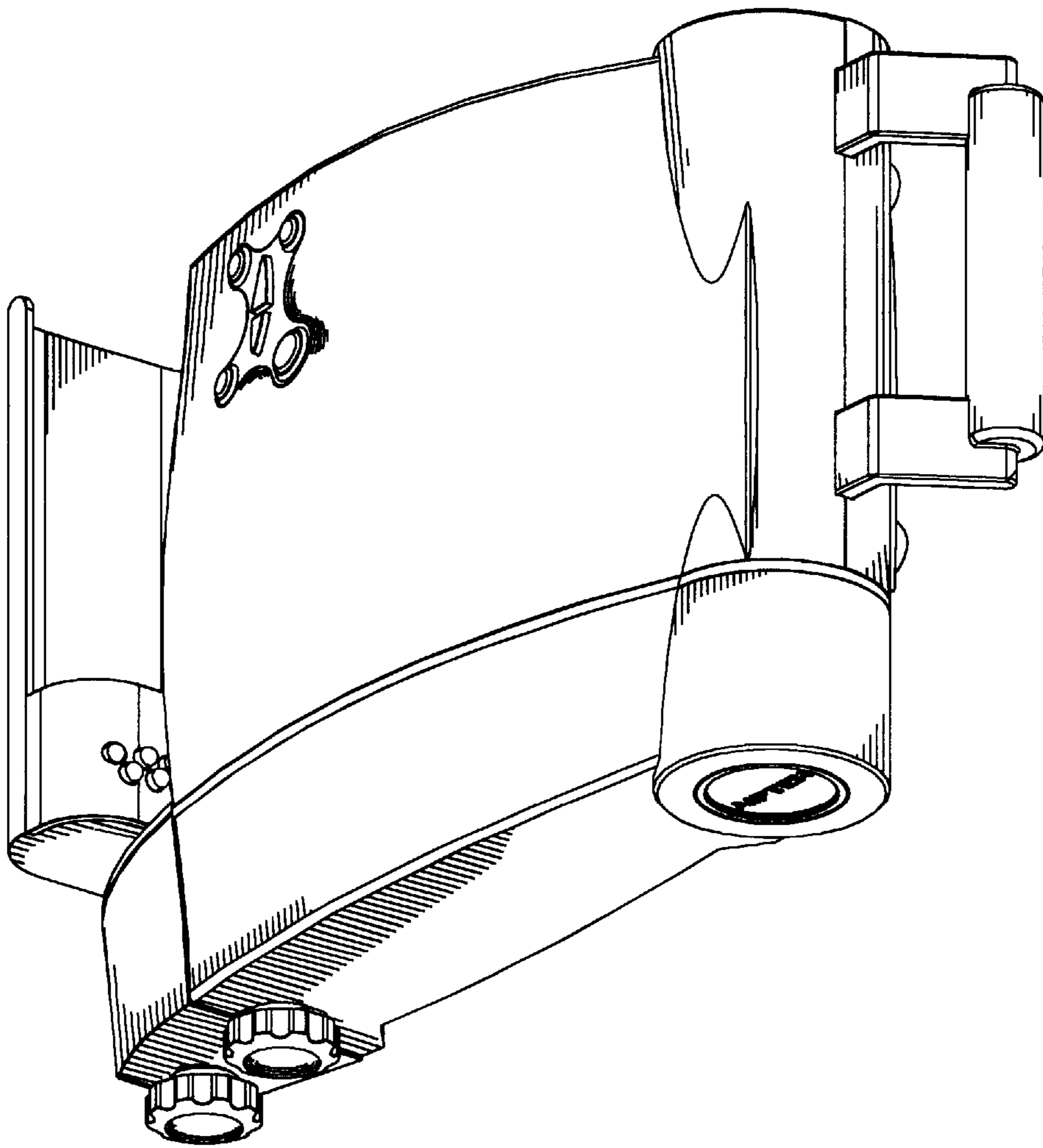


FIG. 7