



US00D478580S

(12) **United States Design Patent**
Schmidt et al.

(10) **Patent No.:** **US D478,580 S**

(45) **Date of Patent:** **** Aug. 19, 2003**

(54) **BIDIRECTIONAL INTERNET PROTOCOL COMMUNICATION DEVICE**

(75) Inventors: **Peter Schmidt**, Campbell, CA (US);
Jeffrey S. Jones, Los Altos, CA (US);
Thomas Eugene Copeland, Fremont, CA (US); **Christopher Stewart Hagler**, Belmont, CA (US)

(73) Assignee: **Hughes Electronics Corporation**, El Segundo, CA (US)

(**) Term: **14 Years**

D363,722 S	*	10/1995	Aldridge et al.	D14/242
D367,042 S	*	2/1996	Morrow et al.	D13/184
D368,085 S	*	3/1996	Mittal et al.	D14/125
D372,474 S	*	8/1996	Ford et al.	D14/149
D374,222 S	*	10/1996	Brandt	D14/471
D381,647 S	*	7/1997	Terng	D14/124
D384,672 S	*	10/1997	Heberling	D14/242
D391,942 S	*	3/1998	Lee	D14/341
D393,463 S	*	4/1998	Beaumont et al.	D14/149
D393,859 S	*	4/1998	Nguyen et al.	D14/191
D396,856 S	*	8/1998	Oba	D14/125
D398,582 S	*	9/1998	Fryers	D13/147
D398,920 S	*	9/1998	Yen	D14/125

(List continued on next page.)

(21) Appl. No.: **29/171,287**

(22) Filed: **Nov. 19, 2002**

Related U.S. Application Data

(62) Division of application No. 29/155,337, filed on Feb. 5, 2002.

(51) **LOC (7) Cl.** **14-03**

(52) **U.S. Cl.** **D14/240; D14/242**

(58) **Field of Search** D14/137, 240, D14/138, 242, 308, 356, 357, 358, 311, 313, 441, 144, 348-355, 370, 341-347, 125, 432, 433, 155, 299, 257, 439, 140, 188, 230, 241, 243, 245; 379/433.01-433.13, 419, 434, 428.01-428.04, 420.01-420.04, 440, 441, 442; 455/550-575, 90; D13/184, 123, 152, 147, 110, 164; 200/296, 293; 361/600, 622, 684, 724-728, 702

(56) **References Cited**

U.S. PATENT DOCUMENTS

D293,568 S	*	1/1988	Martinez	D14/141
D309,731 S	*	8/1990	Takai	D14/242
D322,963 S	*	1/1992	Kittirutsunetorn	D14/242
D351,601 S	*	10/1994	Rak	D14/242
D358,395 S	*	5/1995	Heidorn et al.	D14/242
D359,287 S	*	6/1995	Heberling et al.	D14/242
D362,240 S	*	9/1995	Heidorn et al.	D14/357

Primary Examiner—Jeffrey Asch

(74) *Attorney, Agent, or Firm*—V. D. Duraiswamy; M. W. Sales

(57) **CLAIM**

The ornamental design for a bidirectional internet protocol communication device, as shown and described.

DESCRIPTION

FIG. 1 is a perspective view of a bidirectional IP communication device including a voice over IP (VOIP) module according to the invention;

FIG. 2 is a right side elevation view of the bidirectional IP communication device shown in FIG. 1;

FIG. 3 is a left side elevation view of the bidirectional IP communication device shown in FIG. 1;

FIG. 4 is a front elevation view of the bidirectional IP communication device shown in FIG. 1;

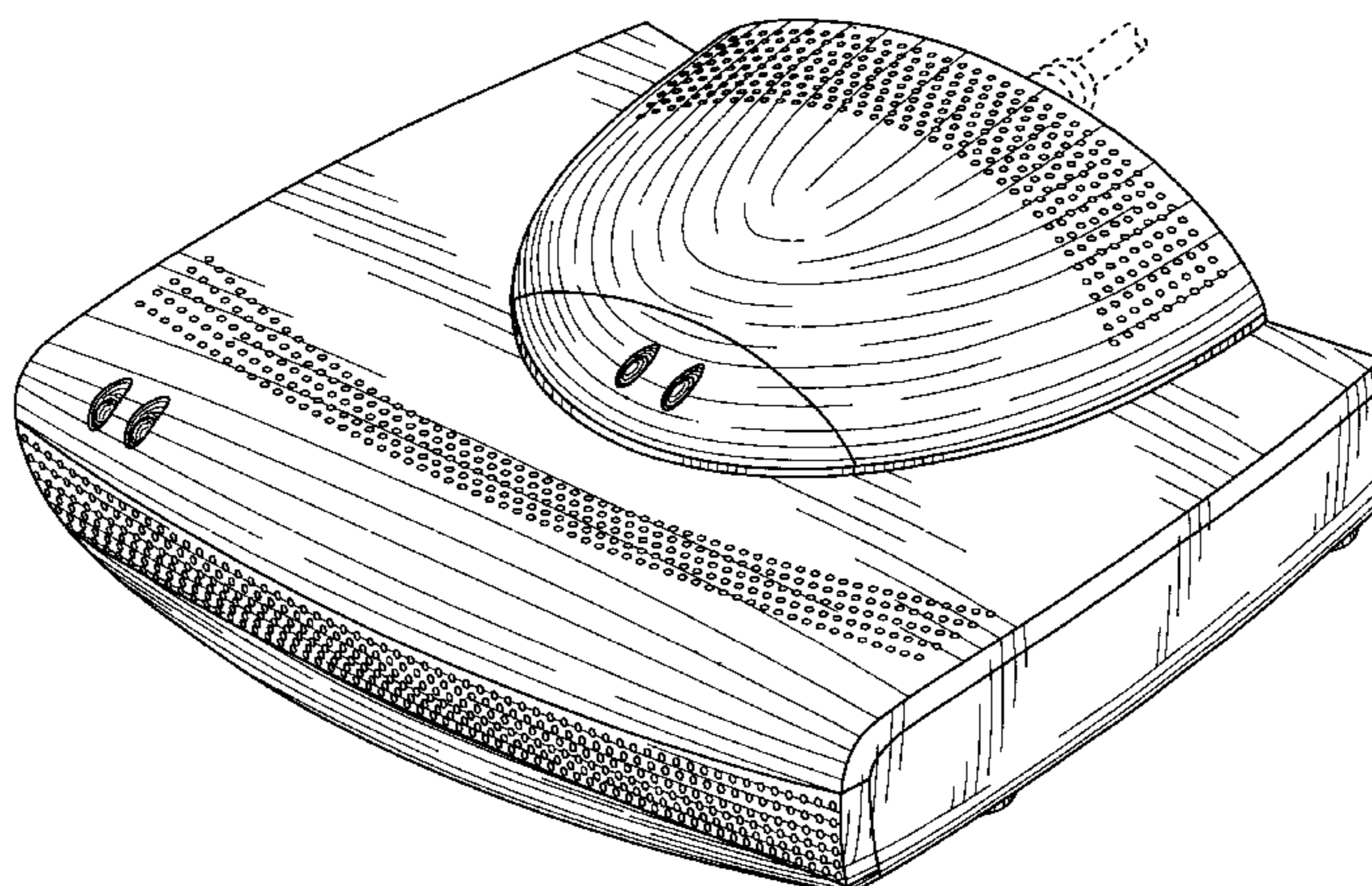
FIG. 5 is a rear elevation view of the bidirectional IP communication device shown in FIG. 1;

FIG. 6 is a top view of the bidirectional IP communication device shown in FIG. 1; and,

FIG. 7 is a bottom view of the bidirectional IP communication device shown in FIG. 1.

The broken lines shown in the figures are for illustrative purposes only and form no part of the claimed design.

1 Claim, 7 Drawing Sheets



US D478,580 S

Page 2

U.S. PATENT DOCUMENTS

D408,381 S	*	4/1999	Nelson et al.	D14/368	D424,065 S	*	5/2000	Soo	D14/240
D408,823 S	*	4/1999	Kirby	D14/240	D425,021 S	*	5/2000	Ko	D13/123
D410,469 S	*	6/1999	Sathikh	D14/242	D425,517 S	*	5/2000	Wheatley et al.	D14/240
D413,578 S	*	9/1999	Larson et al.	D13/152	6,085,925 A	*	7/2000	Chung	220/4.02
D413,893 S	*	9/1999	Luzbetak et al.	D14/240	D433,020 S	*	10/2000	Silbermann et al.	D14/356
D417,668 S	*	12/1999	Tanaka	D14/214	D433,381 S	*	11/2000	Talesfore	D13/123
D418,486 S	*	1/2000	Leavitt et al.	D14/100	D434,374 S	*	11/2000	Ko	D13/123
D418,822 S	*	1/2000	Worley et al.	D14/100	6,181,572 B1	*	1/2001	Lutz, Jr.	361/800
D418,843 S	*	1/2000	Schechtel et al.	D14/242	D448,026 S	*	9/2001	Nicklos et al.	D14/353
D420,349 S	*	2/2000	Storti et al.	D14/125	D448,353 S	*	9/2001	Chang	D14/125
D420,361 S	*	2/2000	Lutz, Jr. et al.	D14/242	D463,417 S	*	9/2002	Chan et al.	D14/242
D420,362 S	*	2/2000	Pedraza et al.	D14/242						

* cited by examiner

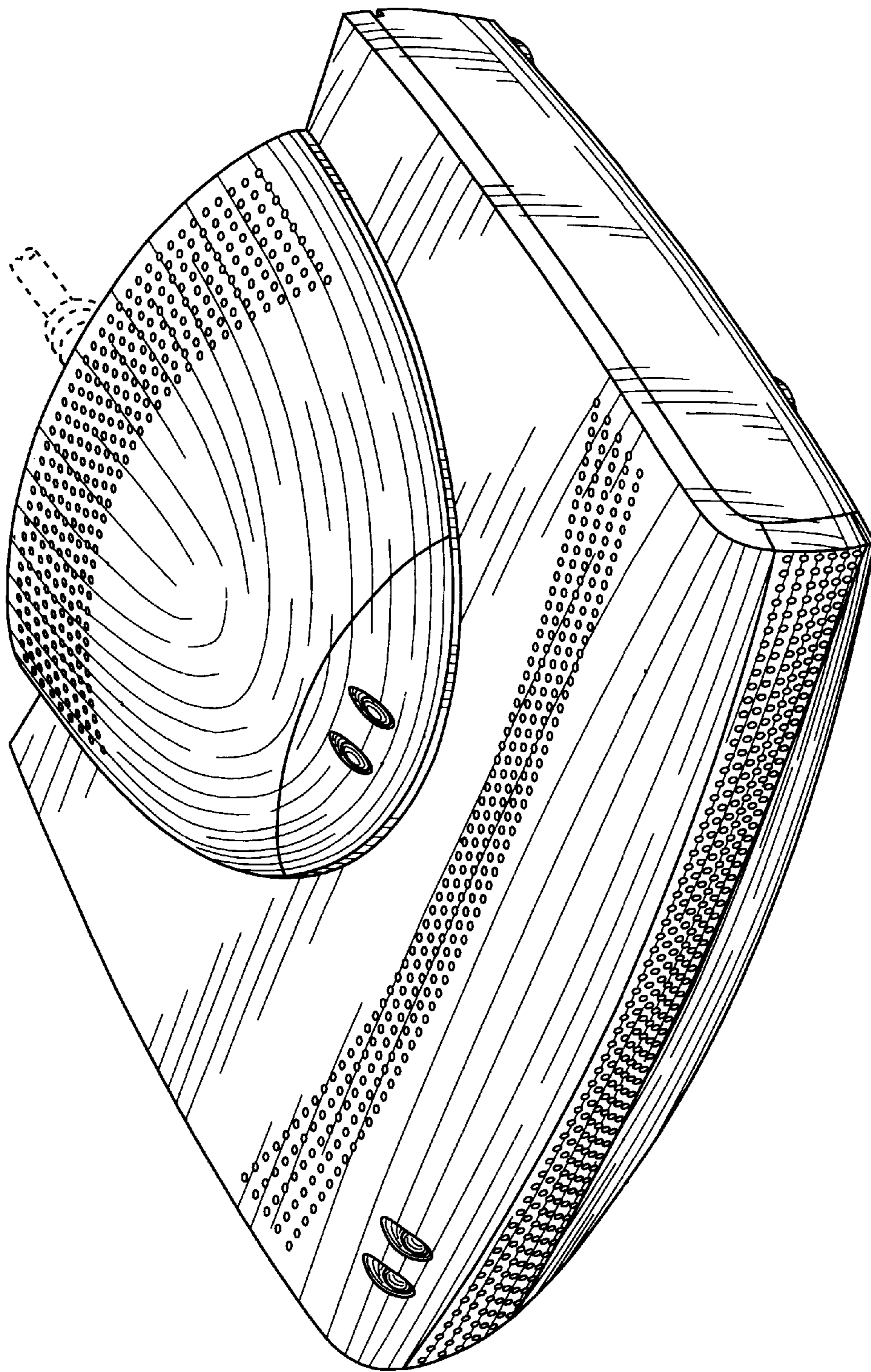


FIG. 1

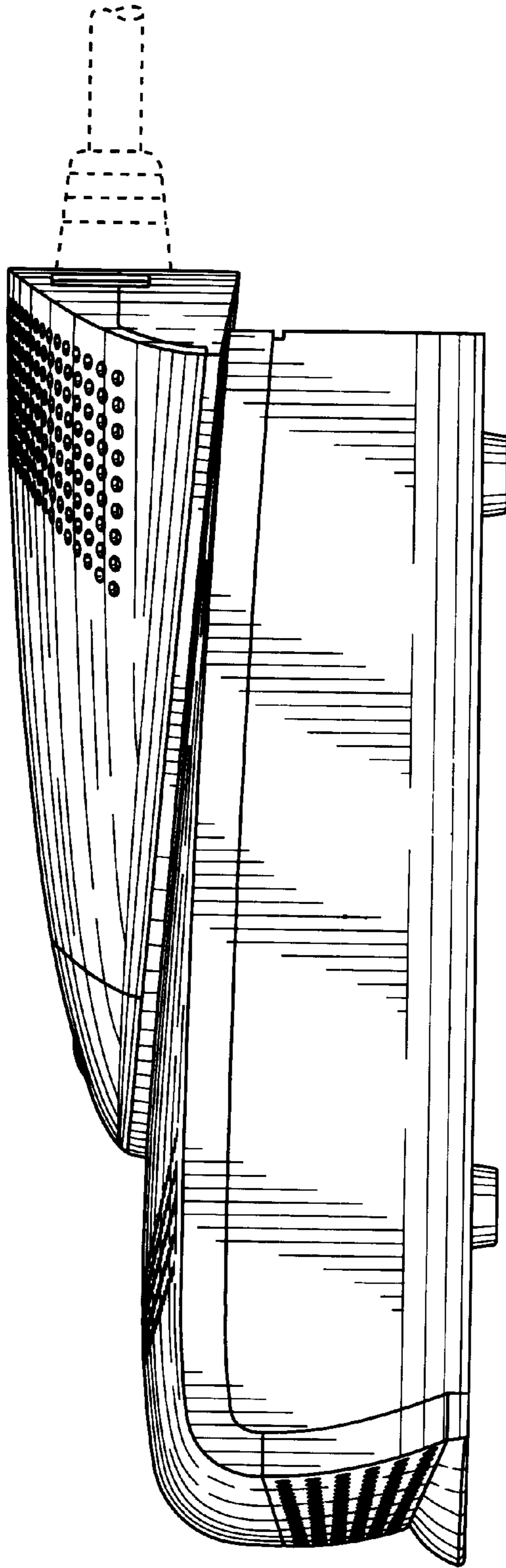


FIG. 2

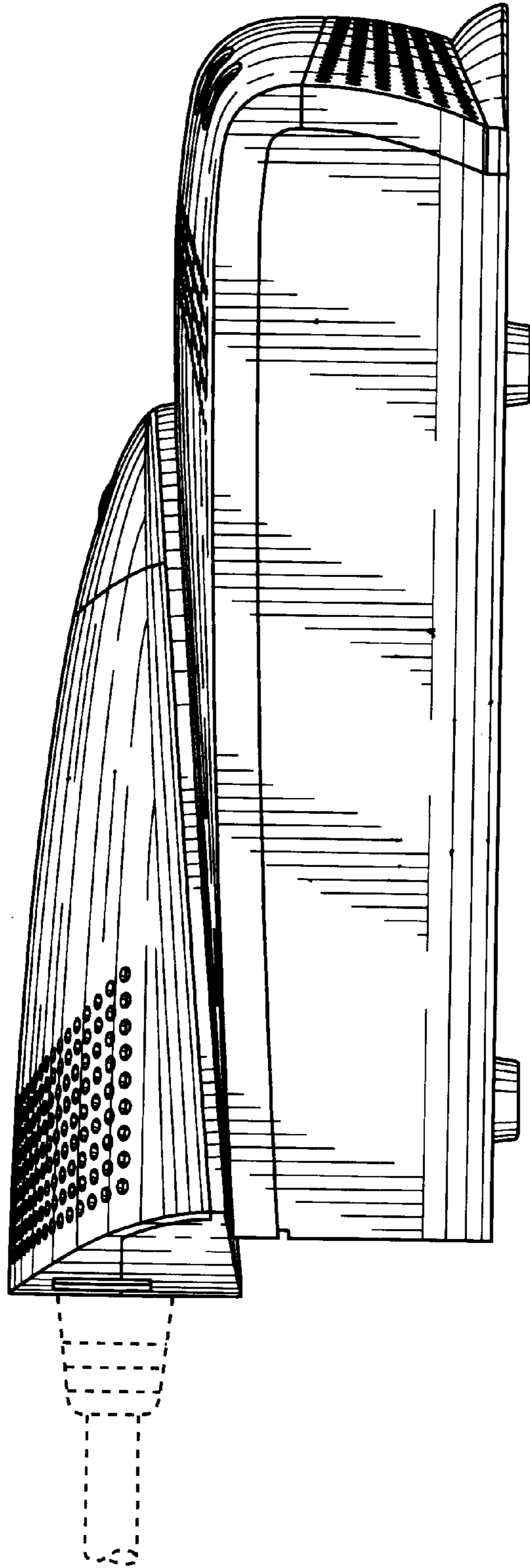


FIG. 3

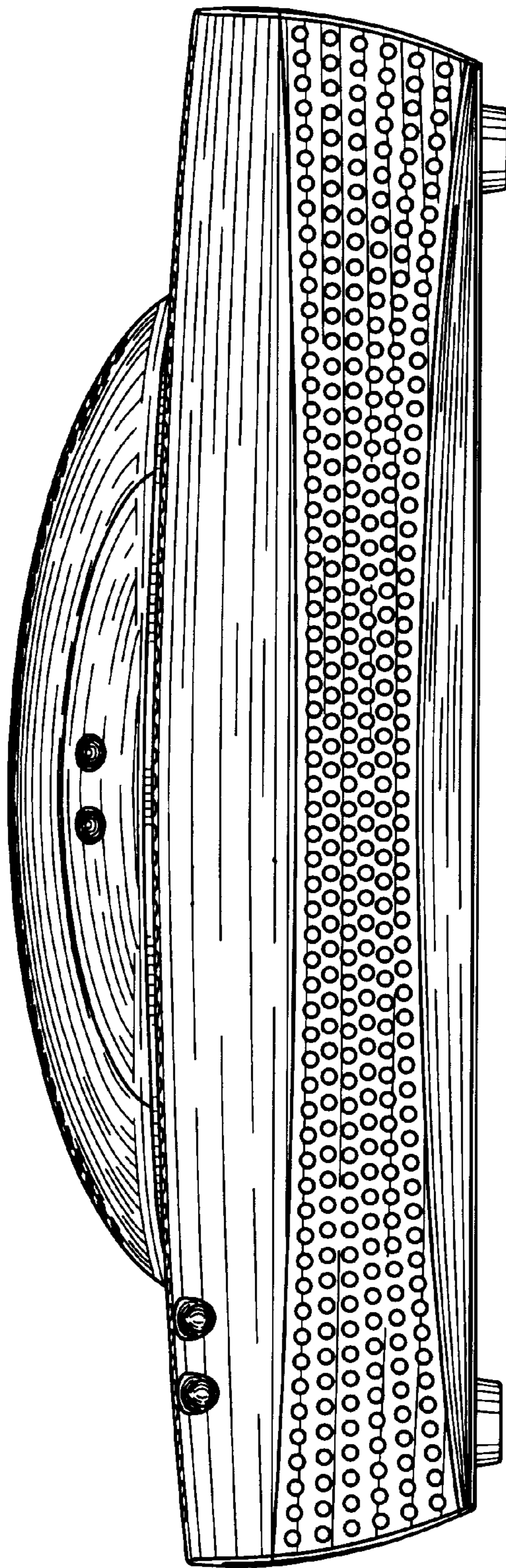


FIG. 4

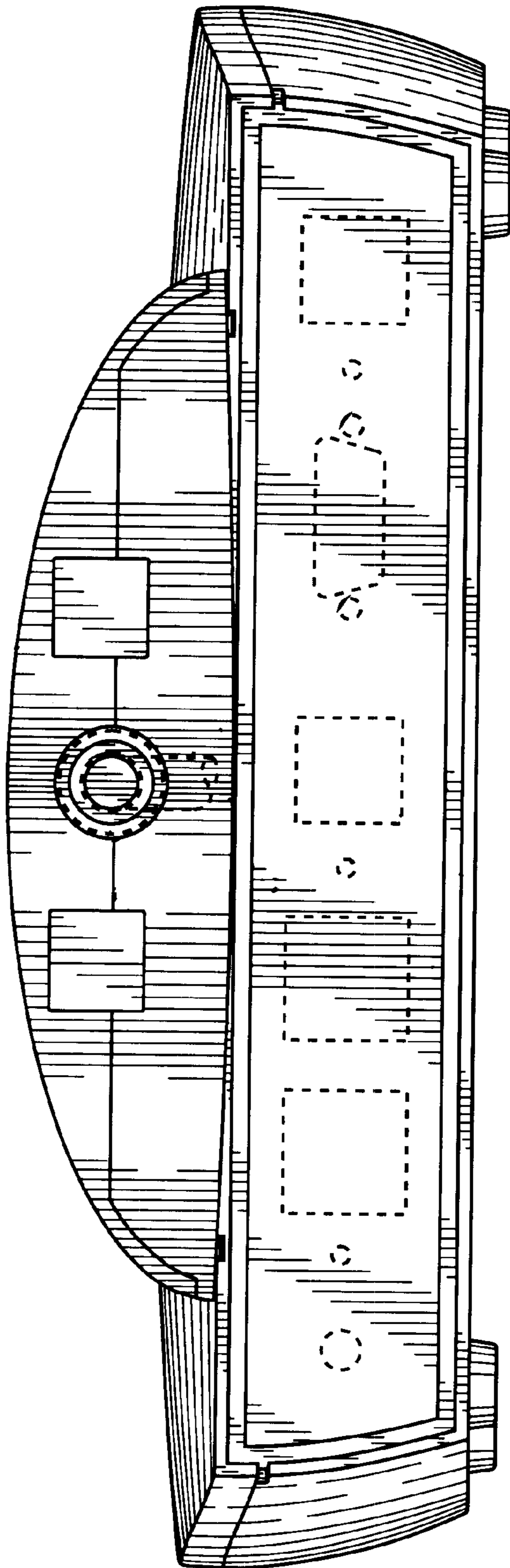


FIG. 5

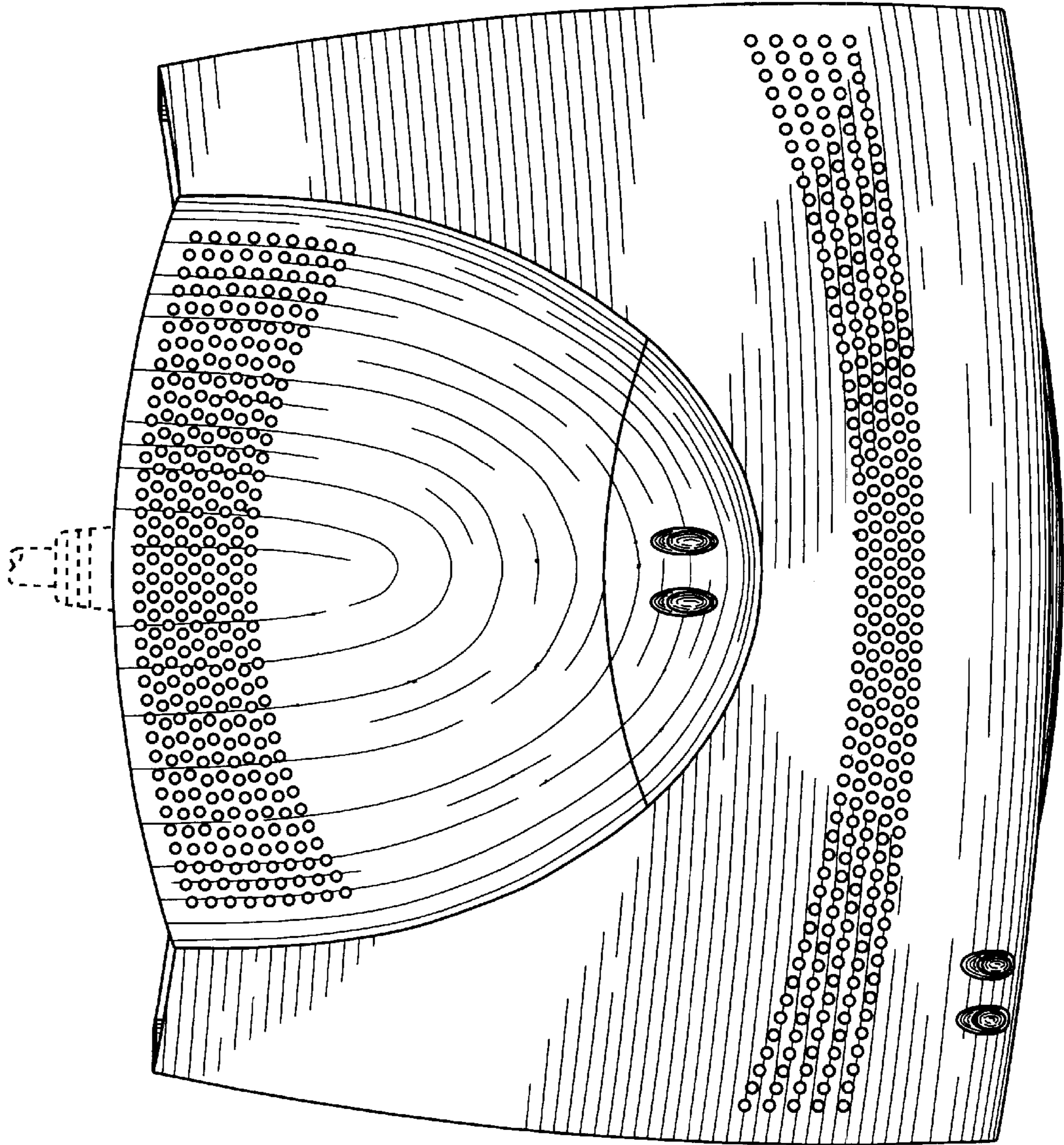


FIG. 6

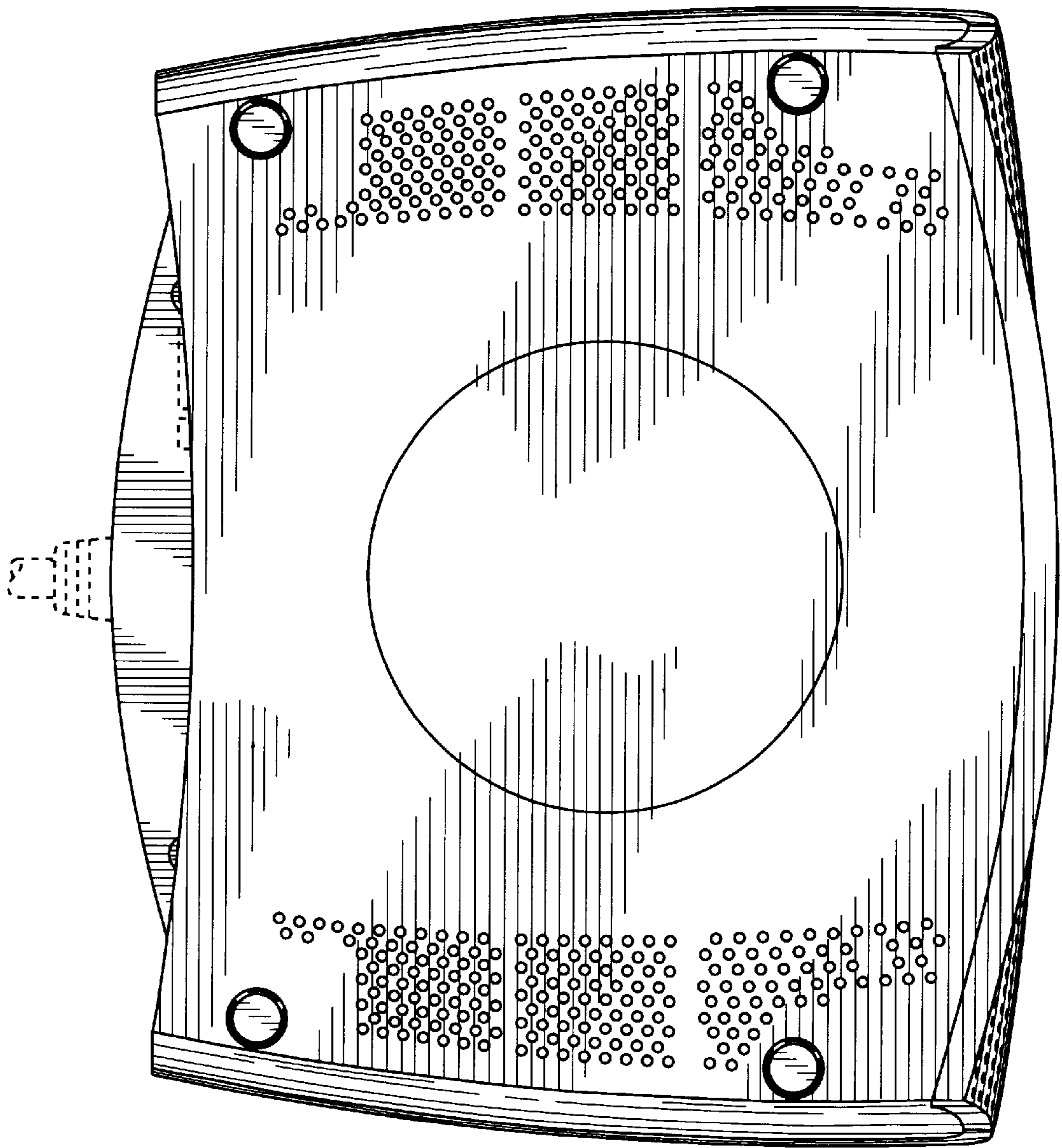


FIG. 7