



US00D478579S

(12) **United States Design Patent**  
**Sade**

(10) **Patent No.:** **US D478,579 S**

(45) **Date of Patent:** **\*\* Aug. 19, 2003**

(54) **HANDSFREE DEVICE FOR HANDSETS**

(75) Inventor: **Heli Sade, Salo (FI)**

(73) Assignee: **Nokia Corporation, Espoo (FI)**

(\*\*) Term: **14 Years**

(21) Appl. No.: **29/164,601**

(22) Filed: **Jul. 26, 2002**

(30) **Foreign Application Priority Data**

Jan. 30, 2002 (FI) ..... M20020088

(51) **LOC (7) Cl.** ..... **14-03**

(52) **U.S. Cl.** ..... **D14/240; D14/226**

(58) **Field of Search** ..... D14/137, 240,  
D14/138, 218, 140-142, 147-148, 243,  
247-248, 253, 144, 155, 159, 341-347,  
358, 188, 192-198, 205, 206, 223, 225,  
226, 228; 379/433.01-433.13, 419, 434,  
428.01-428.04, 420.01-420.04, 440, 430;  
455/550-575, 90, 347, 350, 351; D21/517;  
D3/208, 218; D10/104, 106

(56) **References Cited**

**U.S. PATENT DOCUMENTS**

4,720,857 A \* 1/1988 Burris et al. .... 379/430  
D309,306 S \* 7/1990 Weiser et al. .... D14/249  
D379,990 S \* 6/1997 Bungardt et al. .... D14/228  
D382,874 S \* 8/1997 Peschke et al. .... D14/142

D396,715 S \* 8/1998 Konomi ..... D14/142  
D420,669 S \* 2/2000 Lindahl ..... D14/227  
6,101,402 A \* 8/2000 Bartha et al. .... 455/569  
6,298,250 B1 \* 10/2001 Nilsson ..... 455/569  
D460,960 S \* 7/2002 Kao ..... D14/223  
D463,399 S \* 9/2002 Konomi ..... D14/206  
2001/0044329 A1 \* 11/2001 Newsom ..... 455/569  
2003/0013502 A1 \* 1/2003 Lin ..... 455/569

\* cited by examiner

*Primary Examiner*—Jeffrey Asch

(74) *Attorney, Agent, or Firm*—Darby & Darby

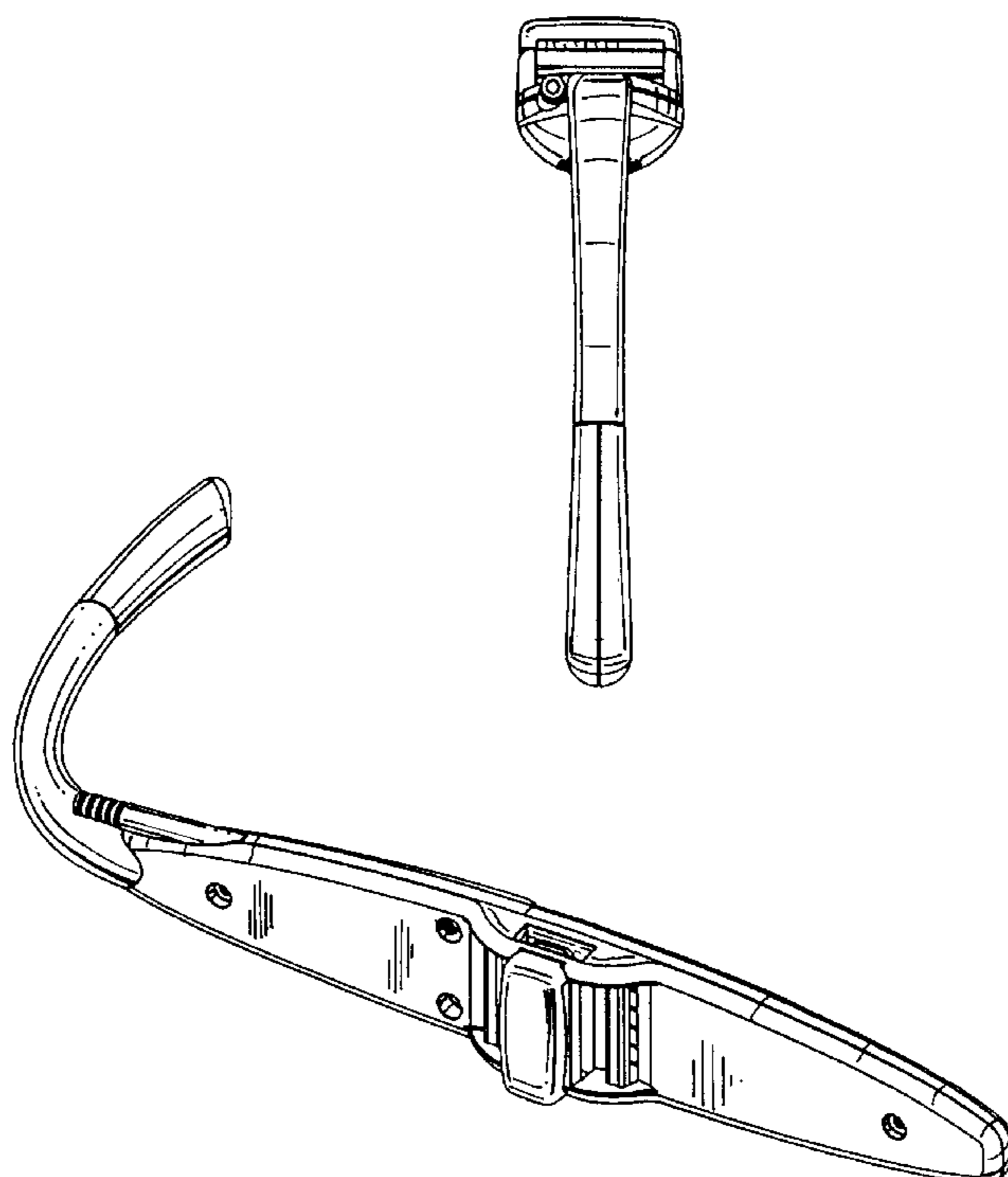
(57) **CLAIM**

The ornamental design for a handsfree device for handsets, as shown and described.

**DESCRIPTION**

FIG. 1 is a front elevational view of a handsfree device for handsets, showing my new design;  
FIG. 2 is a rear elevational view thereof;  
FIG. 3 is a top plan view thereof;  
FIG. 4 is a bottom plan view thereof;  
FIG. 5 is a left side elevational view thereof;  
FIG. 6 is a right side elevational view thereof;  
FIG. 7 is a perspective view thereof, as viewed from the front;  
FIG. 8 is a perspective view thereof, as viewed from the front, with the top section in operable position; and,  
FIG. 9 is a perspective view thereof as viewed from the rear.

**1 Claim, 6 Drawing Sheets**



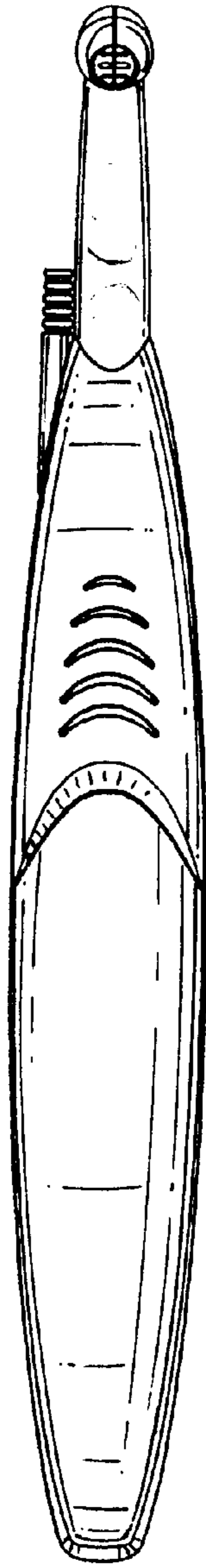


Fig. 1

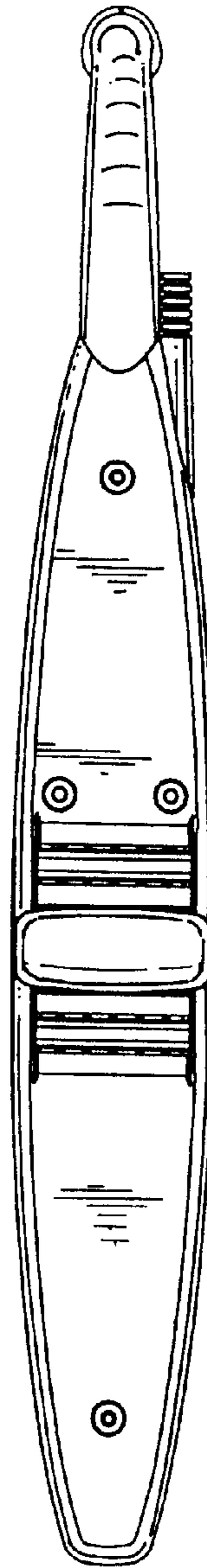


Fig. 2

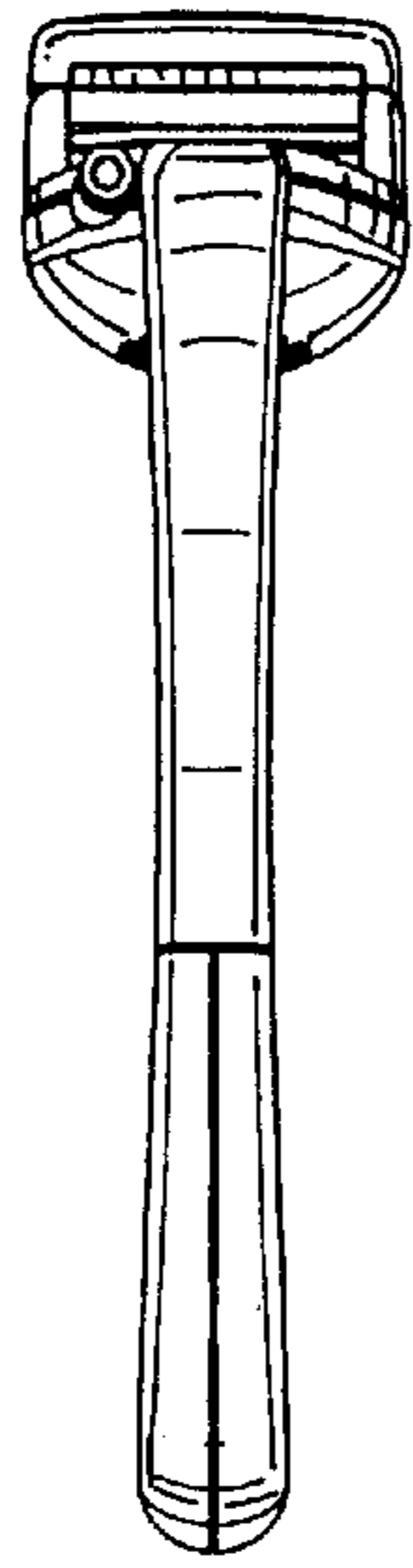


Fig. 3

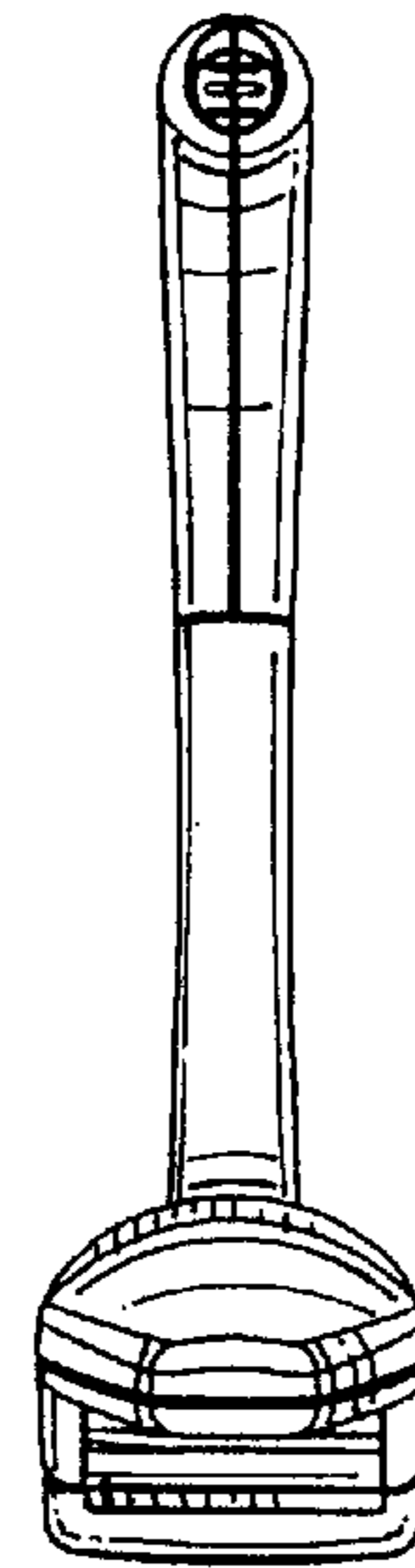


Fig. 4

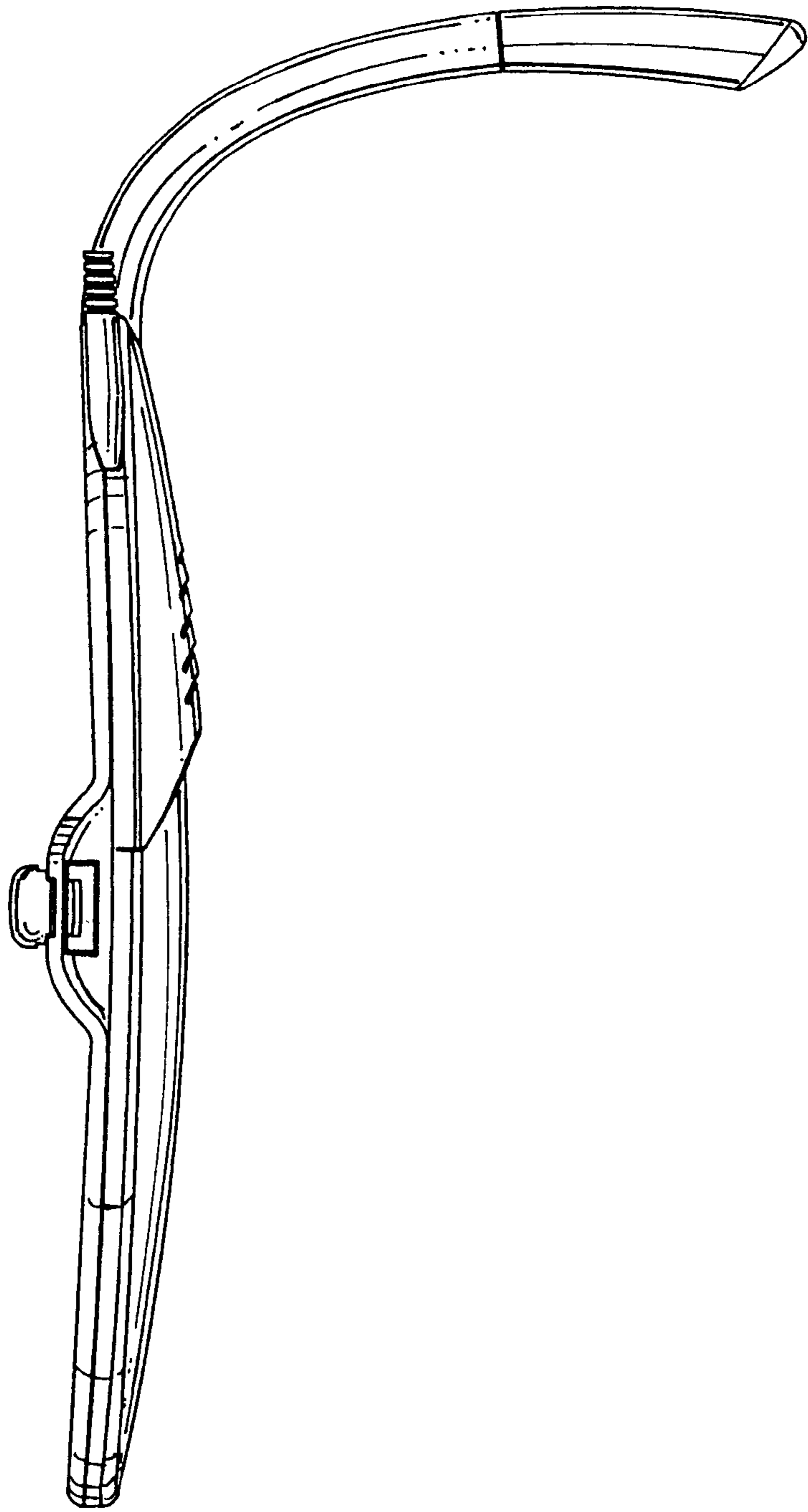


Fig. 5

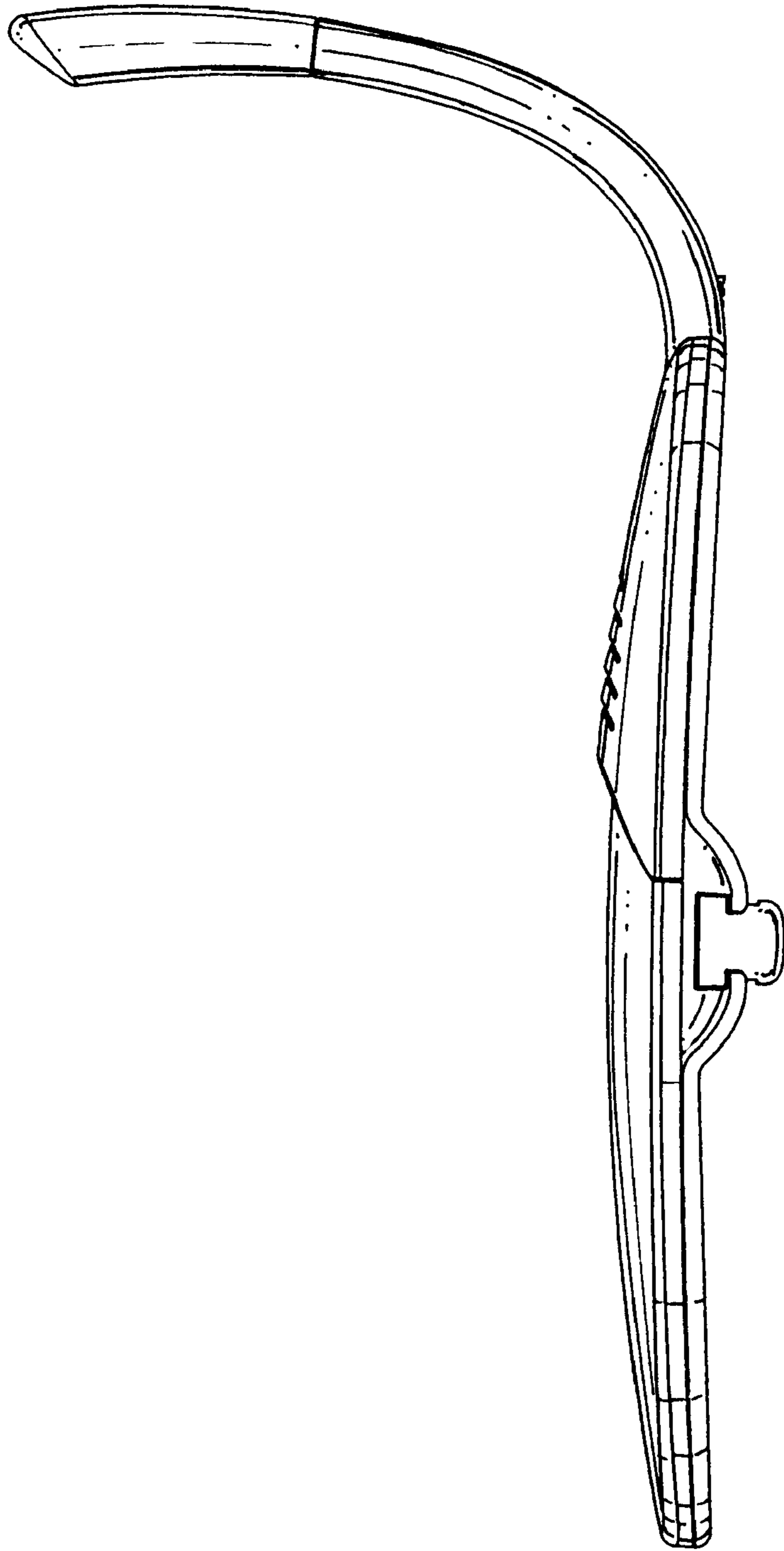


Fig. 6

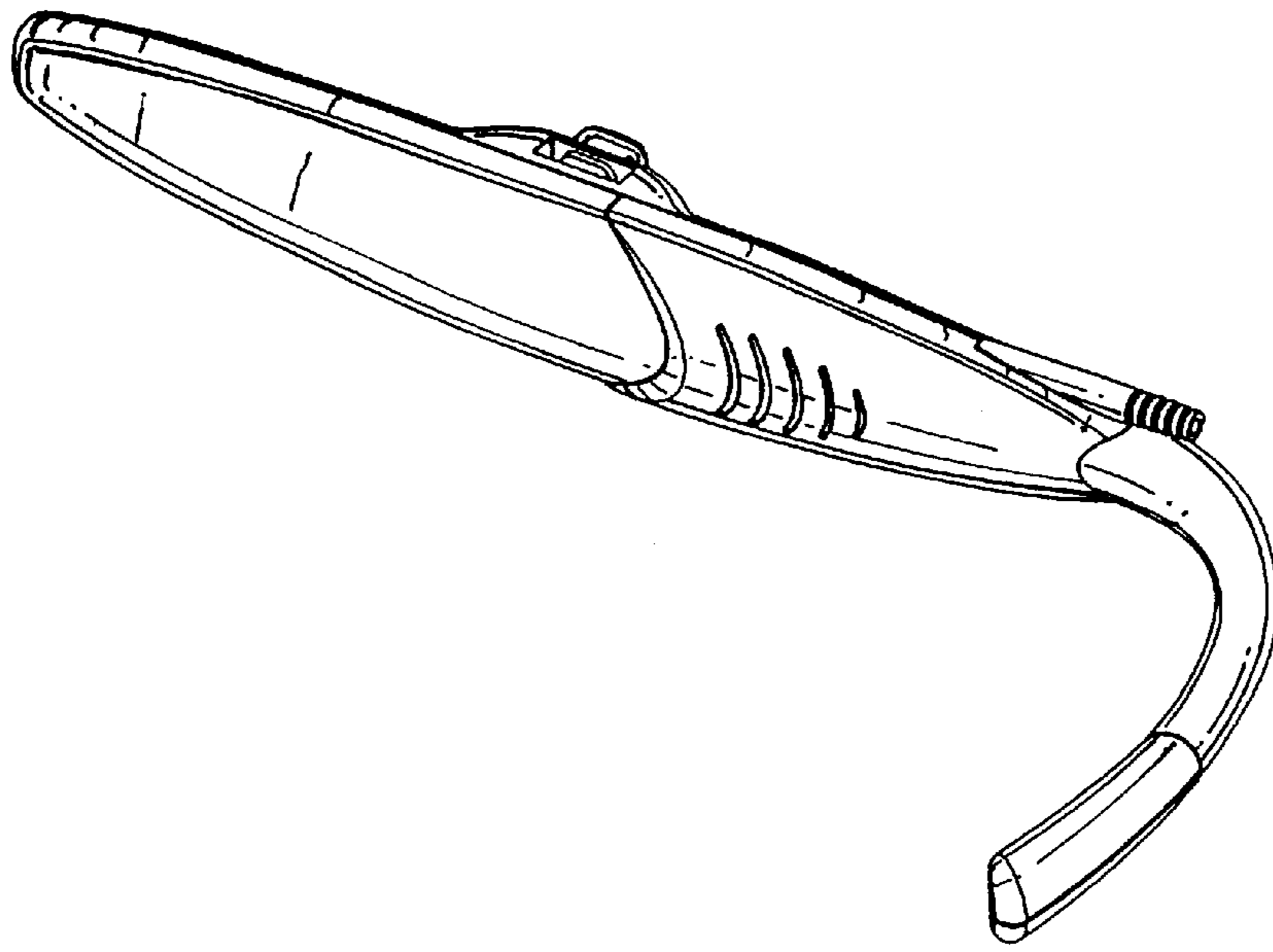


Fig. 7

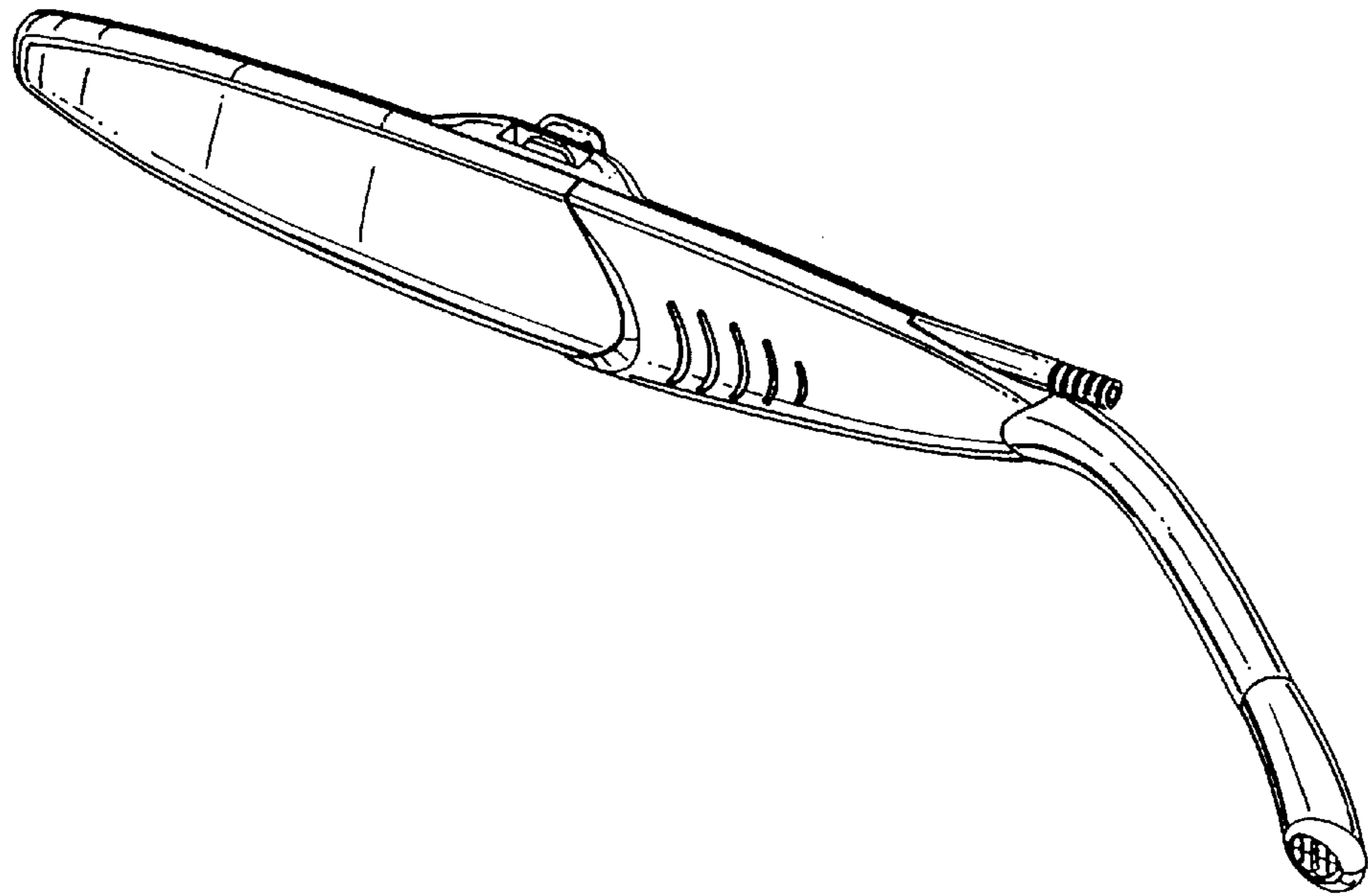


Fig. 8

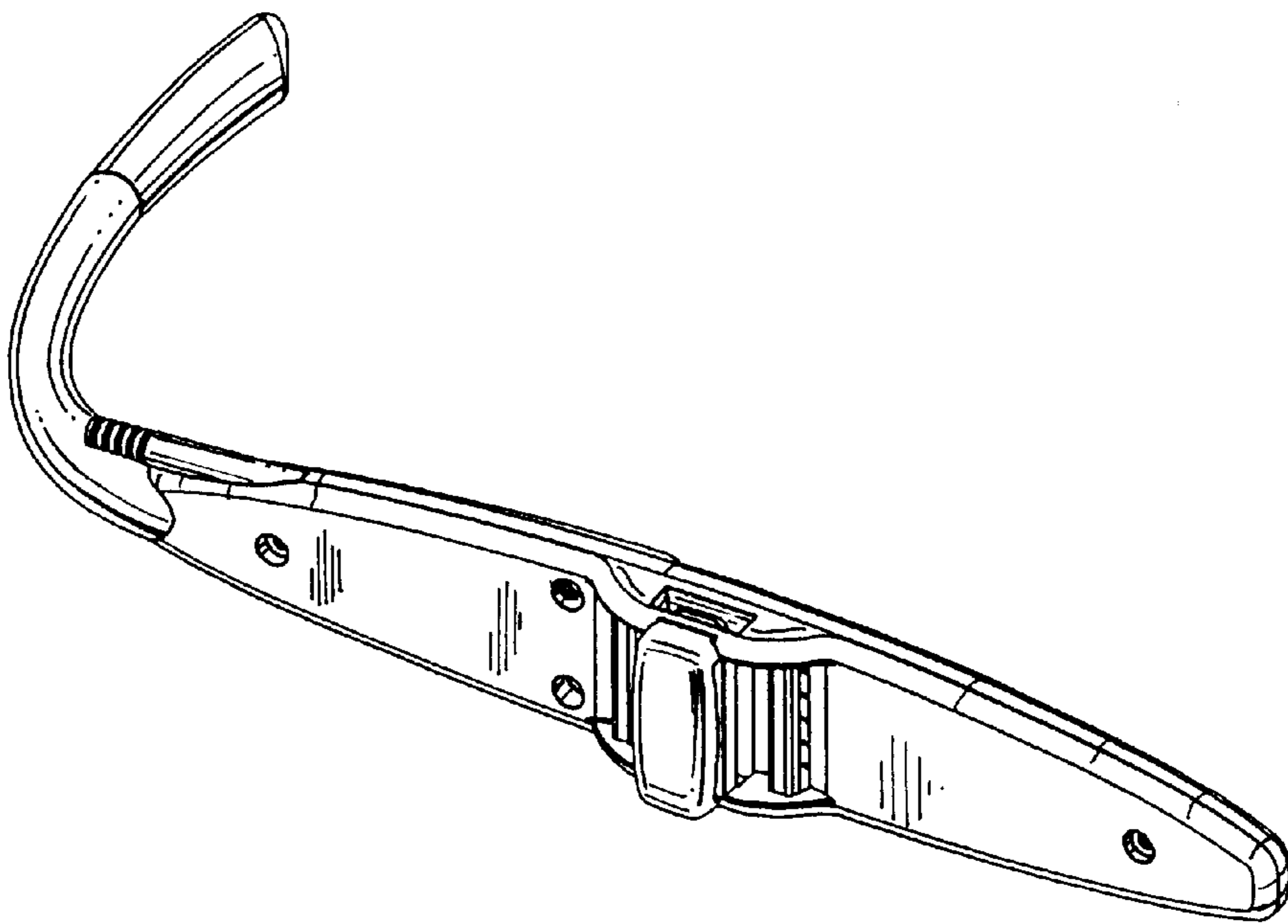


Fig. 9