



US00D478578S

(12) **United States Design Patent**  
**Hao**

(10) **Patent No.:** **US D478,578 S**

(45) **Date of Patent:** **\*\* Aug. 19, 2003**

(54) **MOBILE TELEPHONE ACCESSORY**

(75) Inventor: **Liu Zheng Hao**, Zhongshan (CN)

(73) Assignee: **Luau Investments, LLC**, Sun Valley, CA (US)

(\*\*) Term: **14 Years**

(21) Appl. No.: **29/162,528**

(22) Filed: **Jun. 17, 2002**

(51) **LOC (7) Cl.** ..... **14-03**

(52) **U.S. Cl.** ..... **D14/240; D14/155**

(58) **Field of Search** ..... D14/137, 138, D14/218, 147-148, 243, 247-248, 253, 242, 144, 155, 159, 140, 341-347, 358, 240, 188, 192-198, 205, 206, 223, 225, 226, 228; 379/433.01-433.13, 419, 434, 428.01-428.04, 420.01-420.04, 440, 430; 455/550-575, 90, 347, 350, 351; D21/517; D3/208, 218; D1/104, 106

(56) **References Cited**

**U.S. PATENT DOCUMENTS**

D307,739 S	*	5/1990	Grant	.....	D13/168
D361,759 S	*	8/1995	Paull et al.	.....	D14/114
D373,318 S	*	9/1996	Berch et al.	.....	D10/106
D375,909 S	*	11/1996	Dziersk et al.	.....	D10/106
D385,208 S	*	10/1997	Chui	.....	D10/104
D387,060 S	*	12/1997	Inukai	.....	D14/218
5,771,441 A	*	6/1998	Altstatt	.....	455/66
D411,037 S	*	6/1999	Chang	.....	D3/208
D415,115 S	*	10/1999	Kawashima	.....	D13/168
5,978,689 A	*	11/1999	Tuoriniemi et al.	.....	455/569
6,058,319 A	*	5/2000	Sadler	.....	455/569
6,081,594 A	*	6/2000	Tseng	.....	379/420
6,101,403 A	*	8/2000	Masuda	.....	455/569
6,154,663 A	*	11/2000	Itamochi	.....	455/569
D440,511 S	*	4/2001	Heath	.....	D10/104
D442,570 S	*	5/2001	Arjomand et al.	.....	D14/156
D444,779 S	*	7/2001	Hin	.....	D14/188
D447,747 S	*	9/2001	Ogden et al.	.....	D14/370
D454,556 S	*	3/2002	Schmidt et al.	.....	D14/240
D464,037 S	*	10/2002	Waffensmith et al.	.....	D14/218

D464,337 S	*	10/2002	Arpe	.....	D14/240
D467,240 S	*	12/2002	Ruohonen	.....	D14/223
D467,911 S	*	12/2002	Lee	.....	D14/243
2001/0016506 A1	*	8/2001	Son et al.	.....	455/569
2002/0068542 A1	*	6/2002	Copley	.....	455/569 X
2002/0068617 A1	*	6/2002	Han	.....	455/569
2002/0086717 A1	*	7/2002	Lai	.....	455/569
2003/0026439 A1	*	2/2003	Yamamoto	.....	381/86

**OTHER PUBLICATIONS**

www.telecom.globalsources.com, model CMCC118 hands-free kit, site visited Jan. 20, 2003, posted Jan. 7, 2003.\*

www.hands-freestore.com, clip'n'talk, site visited Feb. 20, 2003, (c)2003.\*

www.plantronics.com, model M155-N2, site visited Feb. 20, 2003.\*

\* cited by examiner

*Primary Examiner*—Jeffrey Asch

(74) *Attorney, Agent, or Firm*—Jeffer, Mangels, Butler & Marmaro LLP

(57) **CLAIM**

The ornamental design for a mobile telephone accessory, as shown and described.

**DESCRIPTION**

FIG. 1 is a perspective view of the telephone accessory in accordance with the present invention.

FIG. 2 is a front elevational view of the telephone accessory of FIG. 1.

FIG. 3 is a rear elevational view of the telephone accessory of FIG. 1.

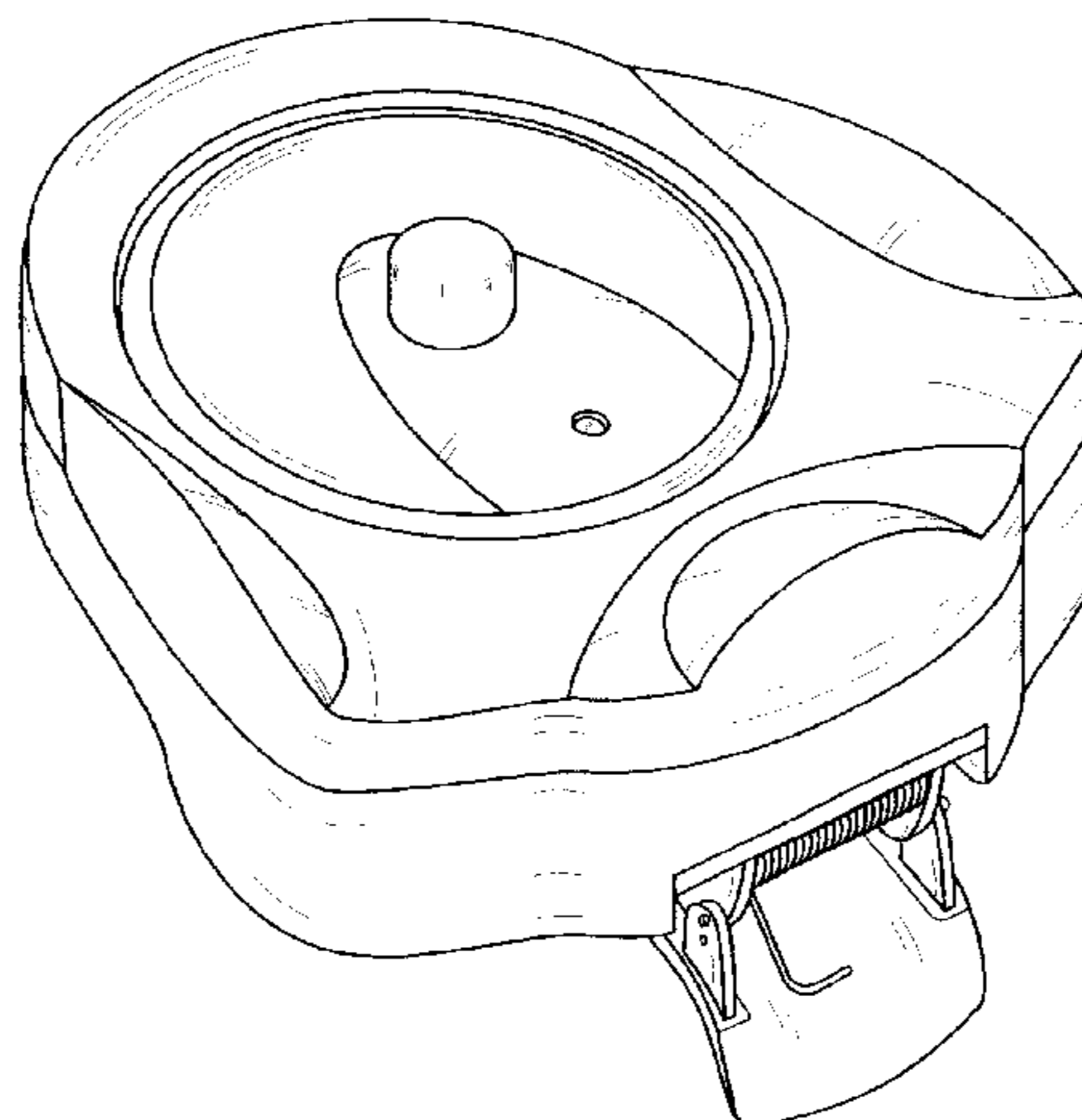
FIG. 4 is a right side view of the telephone accessory of FIG. 1.

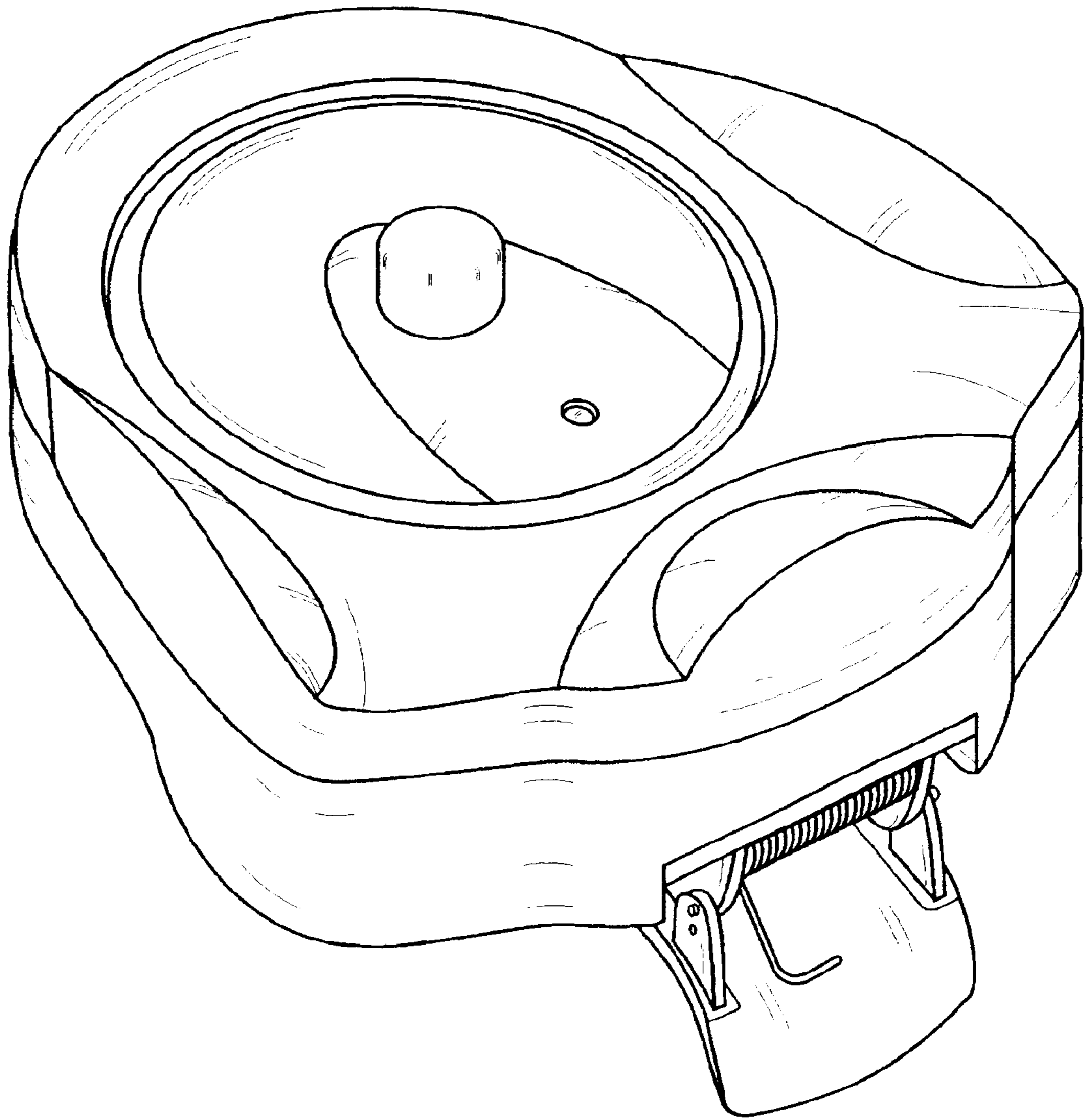
FIG. 5 is a left side view of the telephone accessory of FIG. 1.

FIG. 6 is a top view of the telephone accessory of FIG. 1; and,

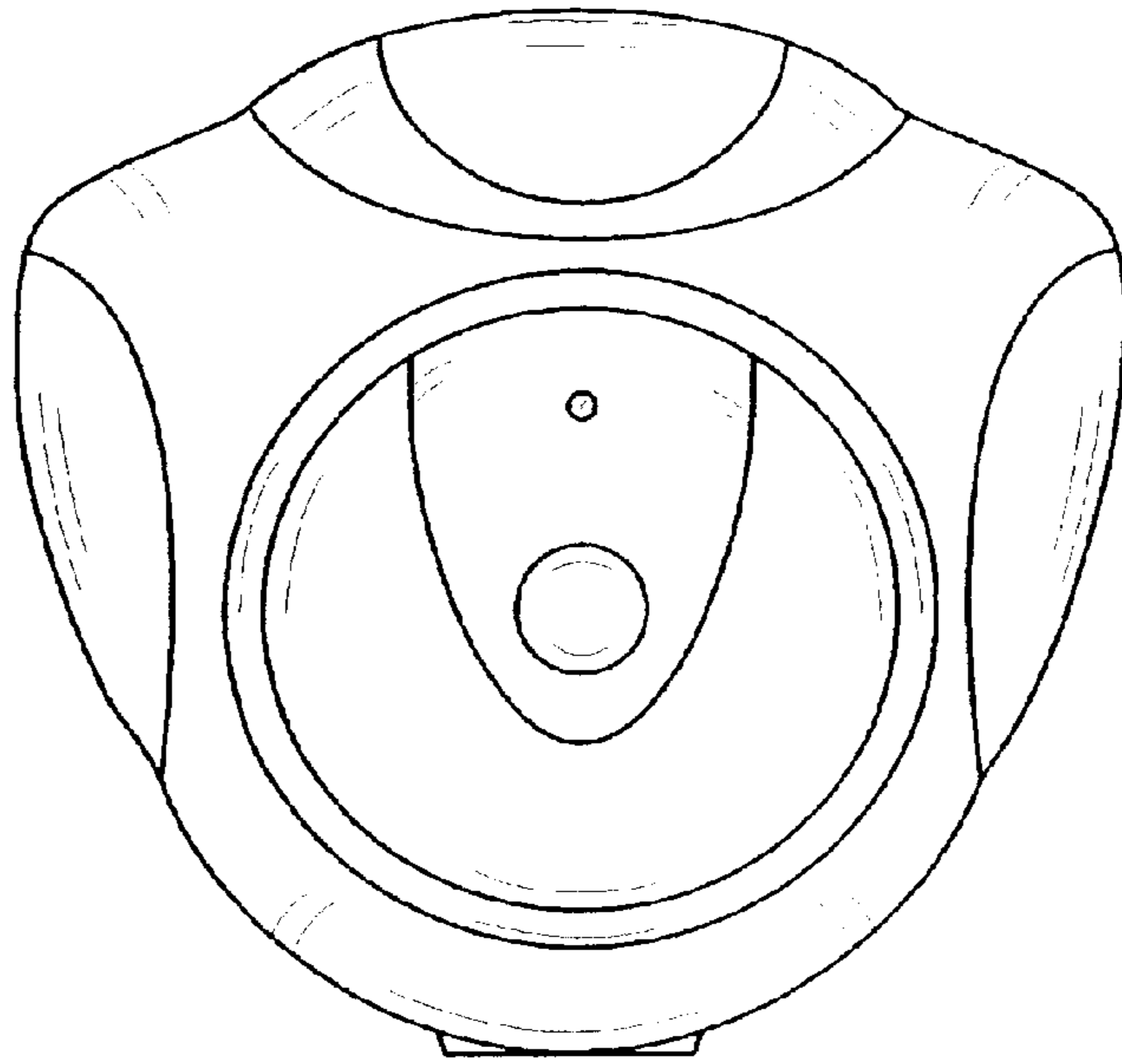
FIG. 7 is a bottom view of the telephone accessory of FIG. 1.

**1 Claim, 4 Drawing Sheets**

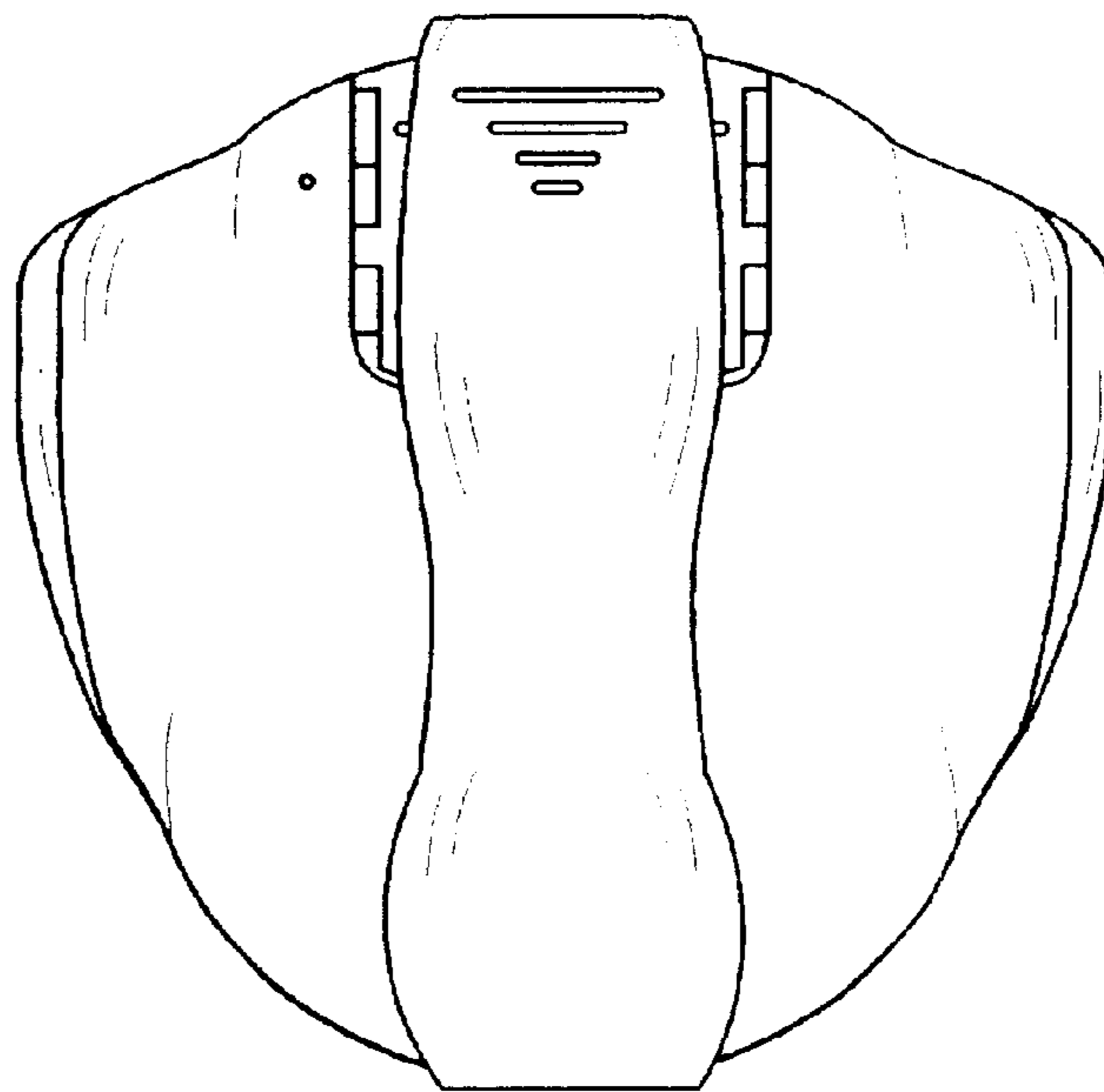




**FIG. 1**



**FIG. 2**



**FIG. 3**

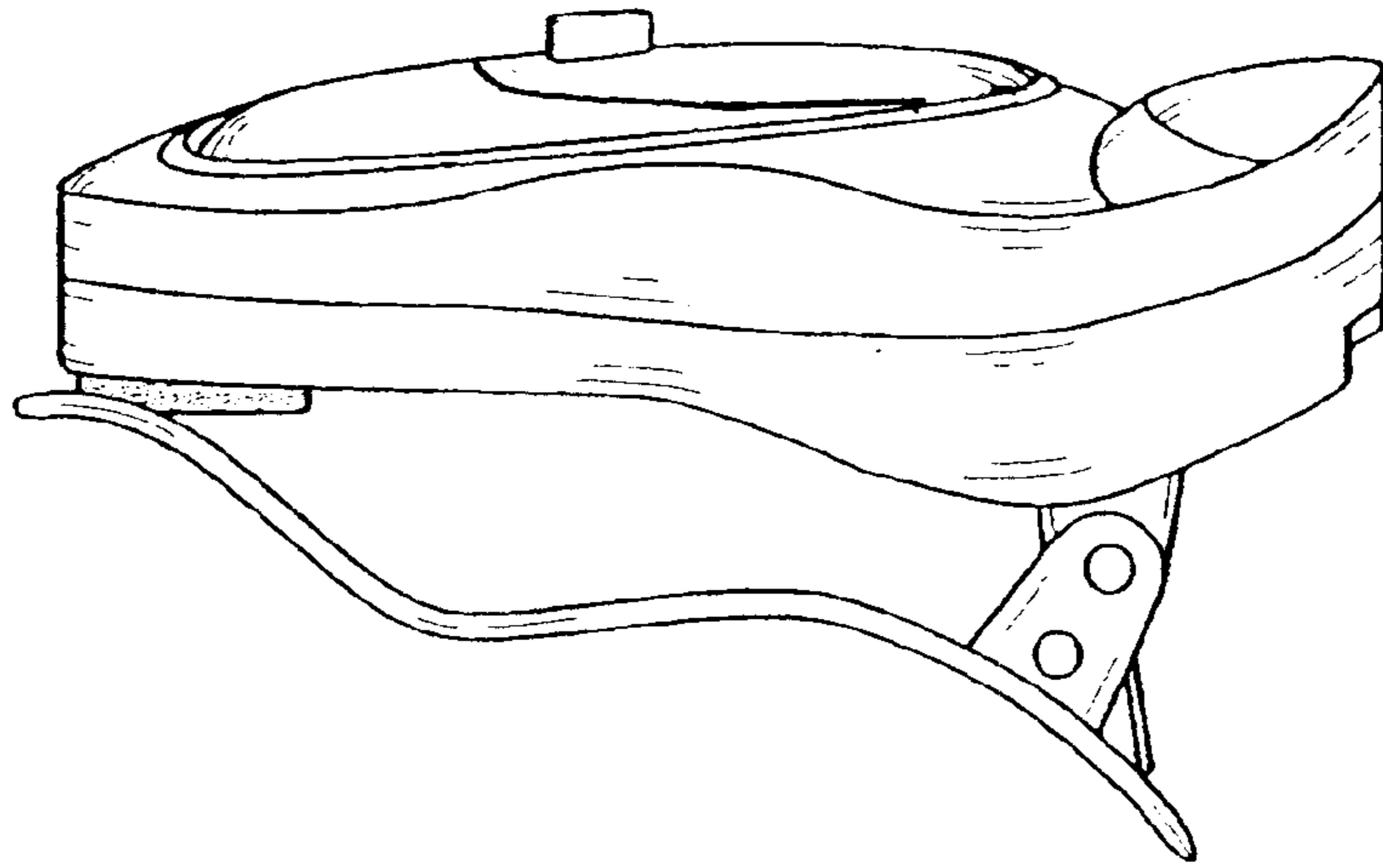


FIG. 4

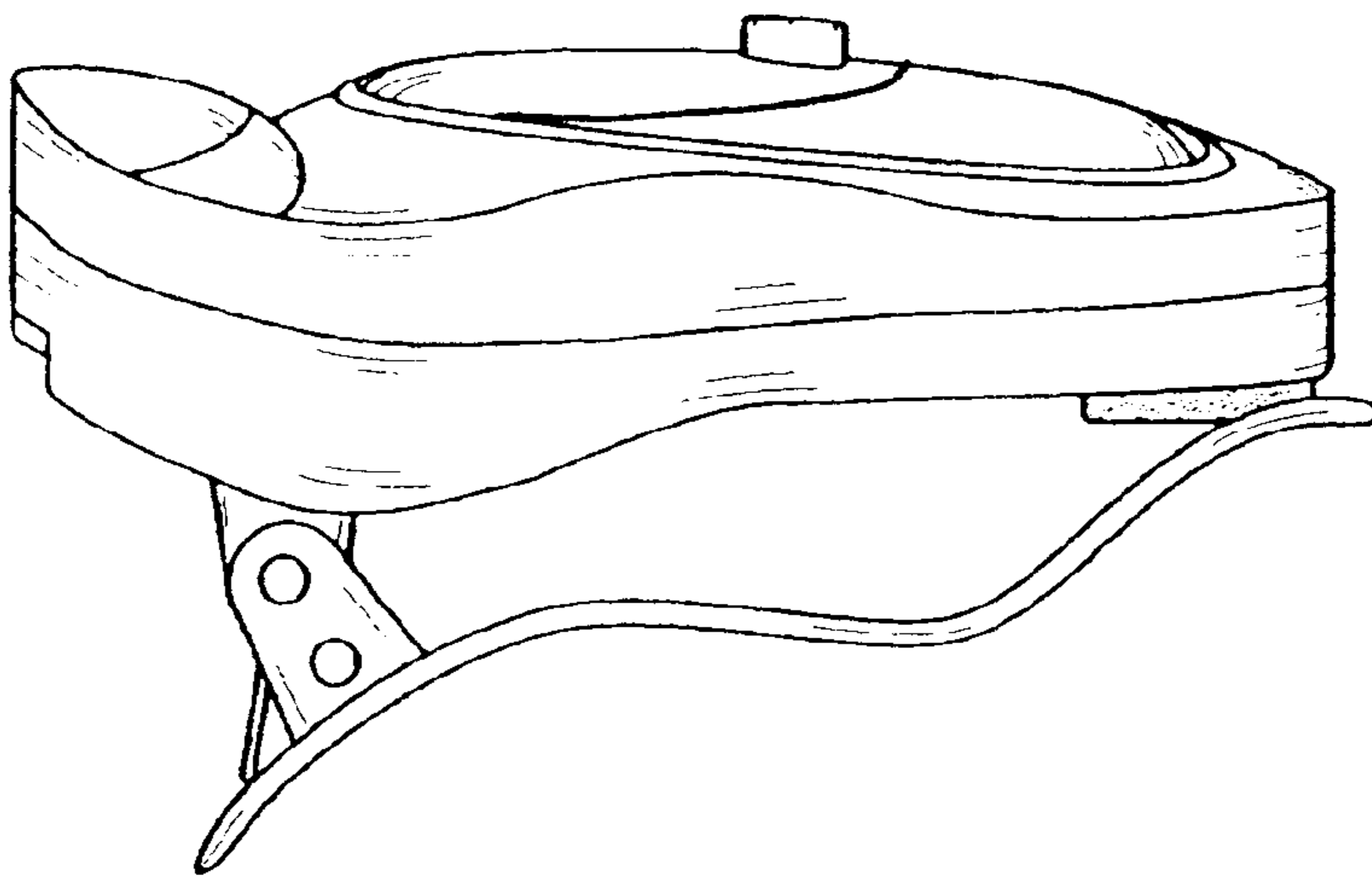
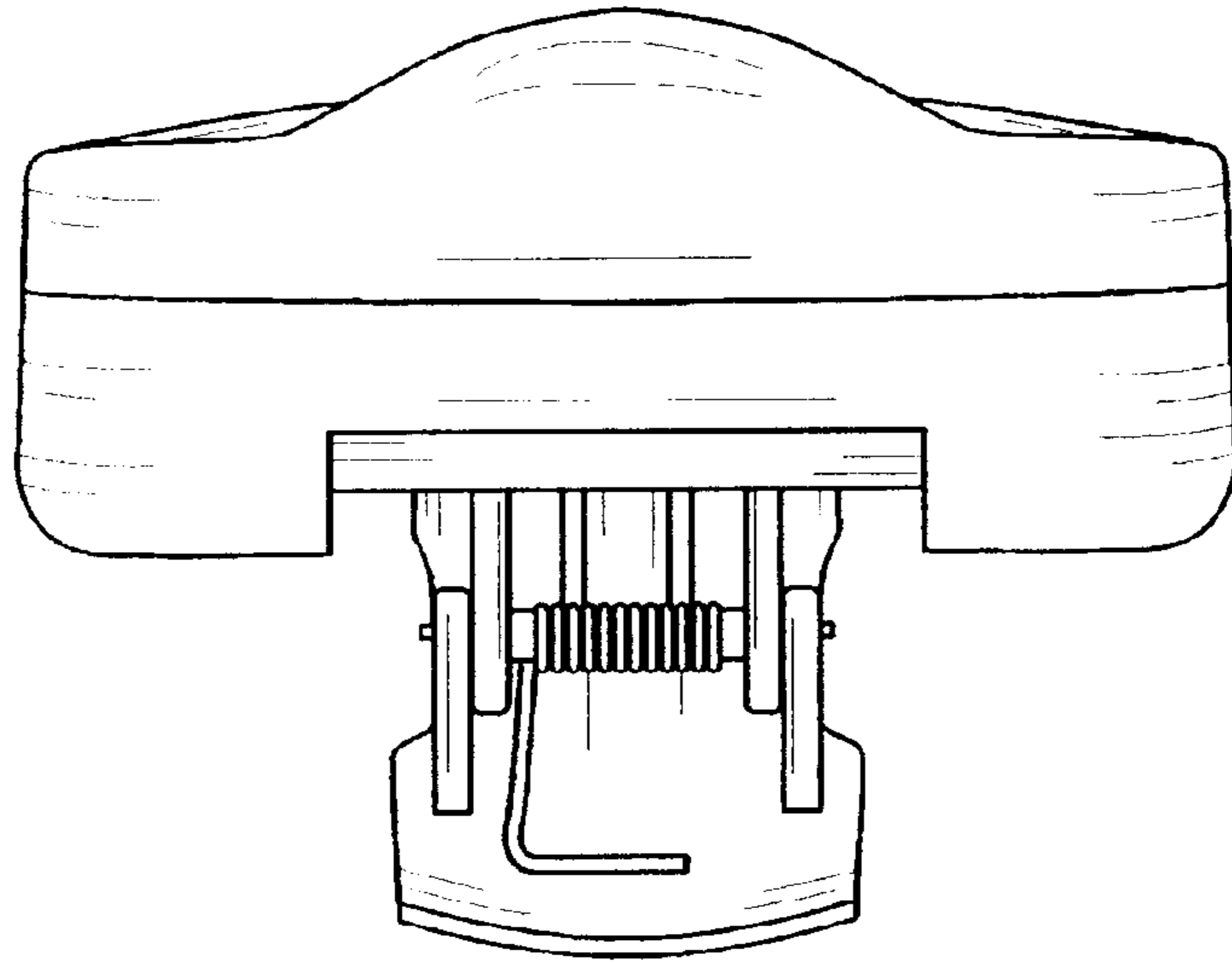
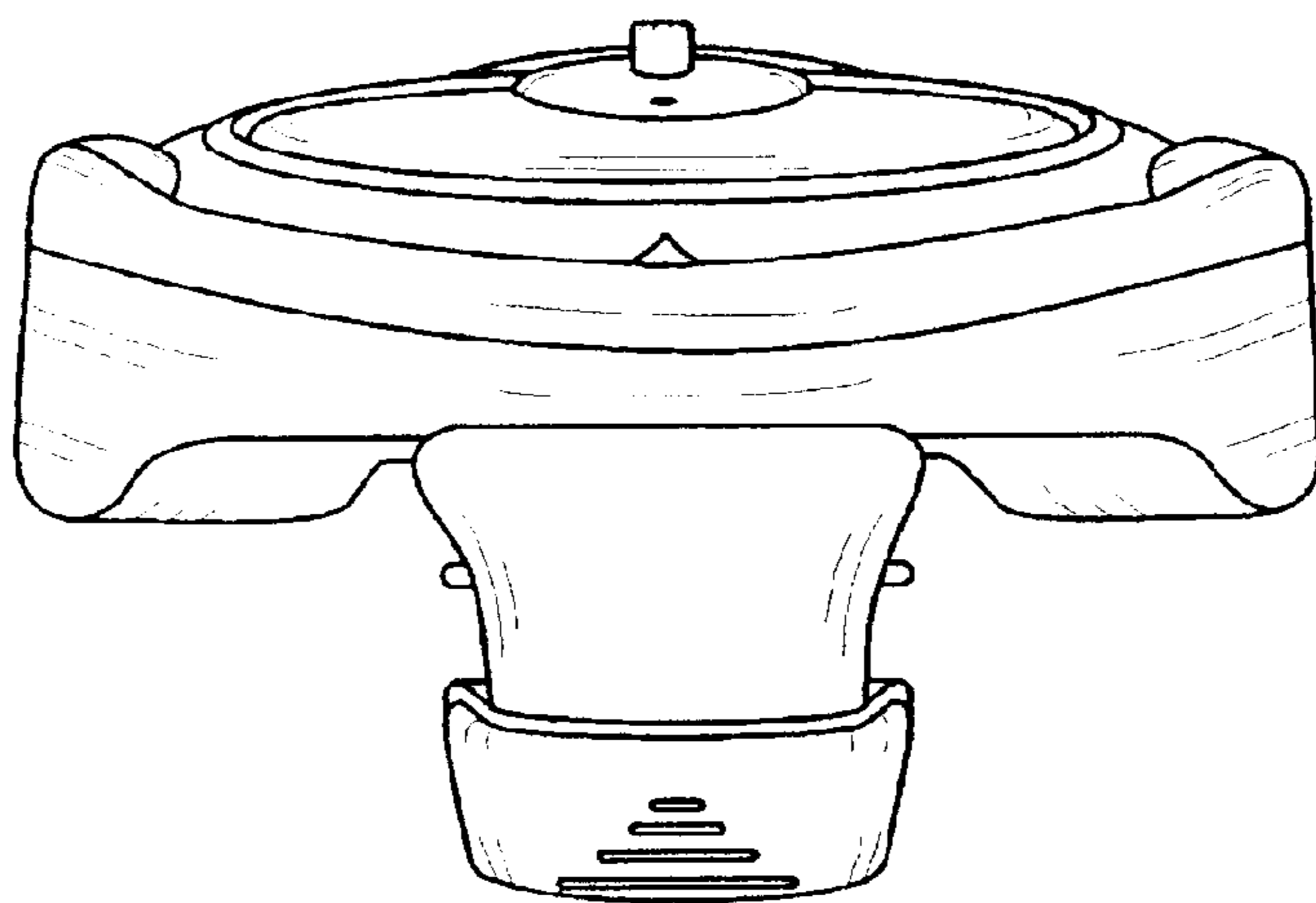


FIG. 5



**FIG. 6**



**FIG. 7**