



US00D478577S

(12) **United States Design Patent**  
**Kolls et al.**

(10) **Patent No.: US D478,577 S**

(45) **Date of Patent: \*\* Aug. 19, 2003**

(54) **TRANSCEIVER BASE UNIT**

(75) **Inventors: H. Brock Kolls, Pottstown, PA (US);  
Stephen Luce, Media, PA (US); Barry  
J. Patrizzi, Cherry Hill, NJ (US)**

(73) **Assignee: USA Technologies, Inc., Wayne, PA  
(US)**

(\*\*) **Term: 14 Years**

(21) **Appl. No.: 29/155,567**

(22) **Filed: Feb. 12, 2002**

(51) **LOC (7) Cl. .... 14-02**

(52) **U.S. Cl. .... D14/240**

(58) **Field of Search ..... D14/240-256,  
D14/433, 356, 438, 357; D13/152, 160,  
161, 164, 178, 173, 133, 154, 137.1, 123;  
439/651, 571; 379/419, 420, 428, 440,  
93.01, 93.28; 455/90, 462, 77, 575; 375/220-225;  
D20/8**

(56) **References Cited**

**U.S. PATENT DOCUMENTS**

D305,230 S \* 12/1989 Math ..... D14/358  
D314,176 S \* 1/1991 Weber et al. .... D13/133  
D344,263 S \* 2/1994 Seido ..... D13/154  
D352,706 S \* 11/1994 Hong ..... D14/137  
5,708,445 A \* 1/1998 Moller et al. .... 343/702

D393,830 S \* 4/1998 Tobler et al. .... D13/133  
D454,557 S \* 3/2002 Do et al. .... D14/242  
D464,959 S \* 10/2002 Do et al. .... D14/242  
D469,402 S \* 1/2003 Bukiri ..... D13/137.1

**FOREIGN PATENT DOCUMENTS**

GB 2095913 \* 9/2000

\* cited by examiner

*Primary Examiner*—Charles A. Rademaker

(74) *Attorney, Agent, or Firm*—H. Brock Kolls

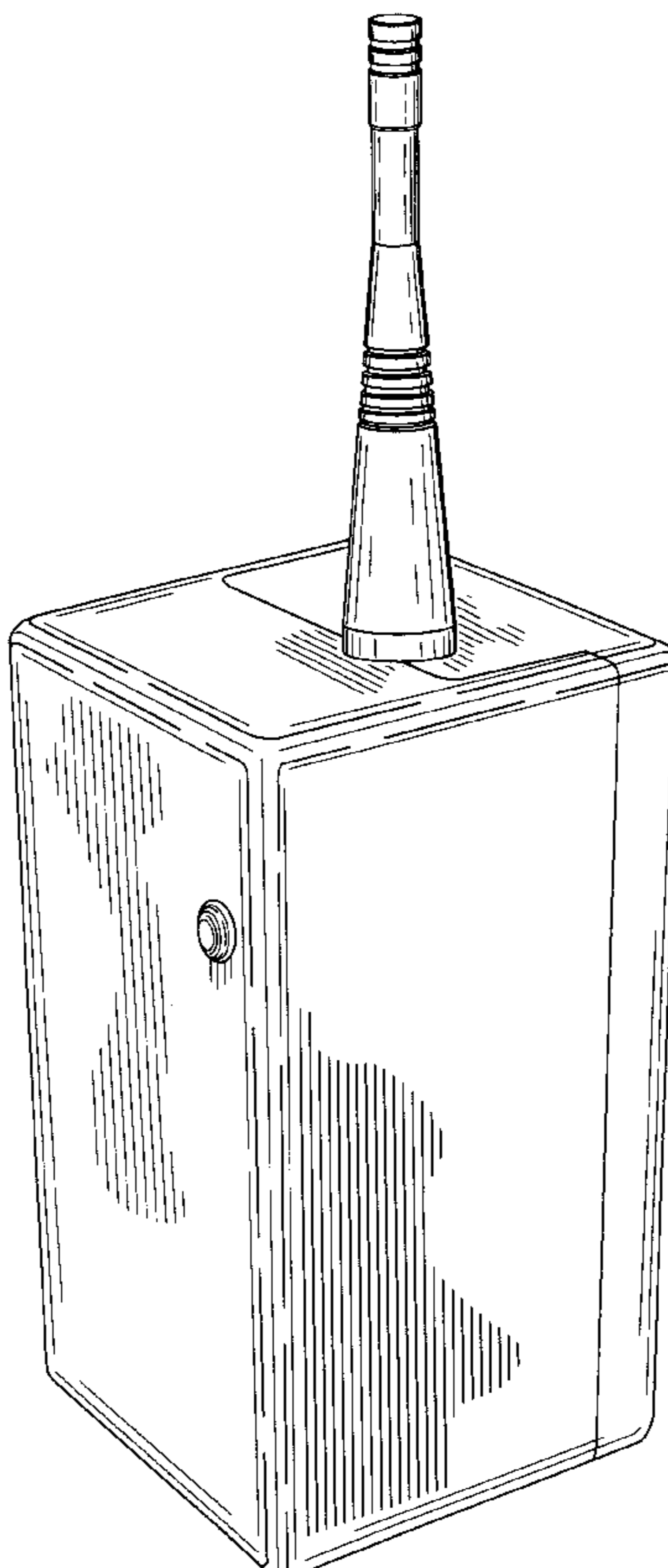
(57) **CLAIM**

The ornamental design for a transceiver base unit, as shown and described.

**DESCRIPTION**

FIG. 1 is a right side perspective view of the transceiver base unit;  
FIG. 2 is a front side plan view of the transceiver base unit;  
FIG. 3 is a right side plan view of the transceiver base unit;  
FIG. 4 is a back side plan view of the transceiver base unit;  
FIG. 5 is a left side plan view of the transceiver base unit;  
FIG. 6 is a top side plan view of the transceiver base unit;  
FIG. 7 is a bottom side plan view of the transceiver base unit; and,  
FIG. 8 is a left side exploded view of the transceiver base unit.

**1 Claim, 7 Drawing Sheets**



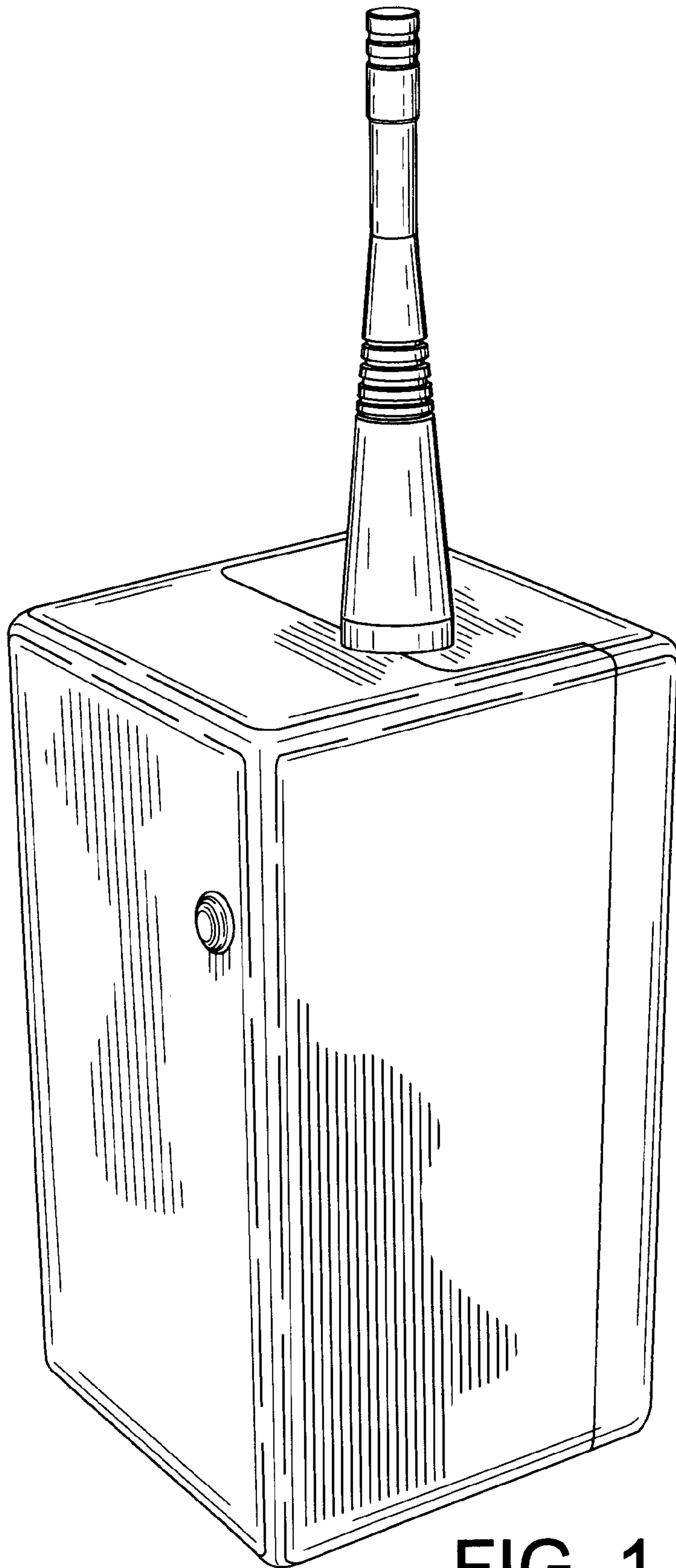


FIG. 1.

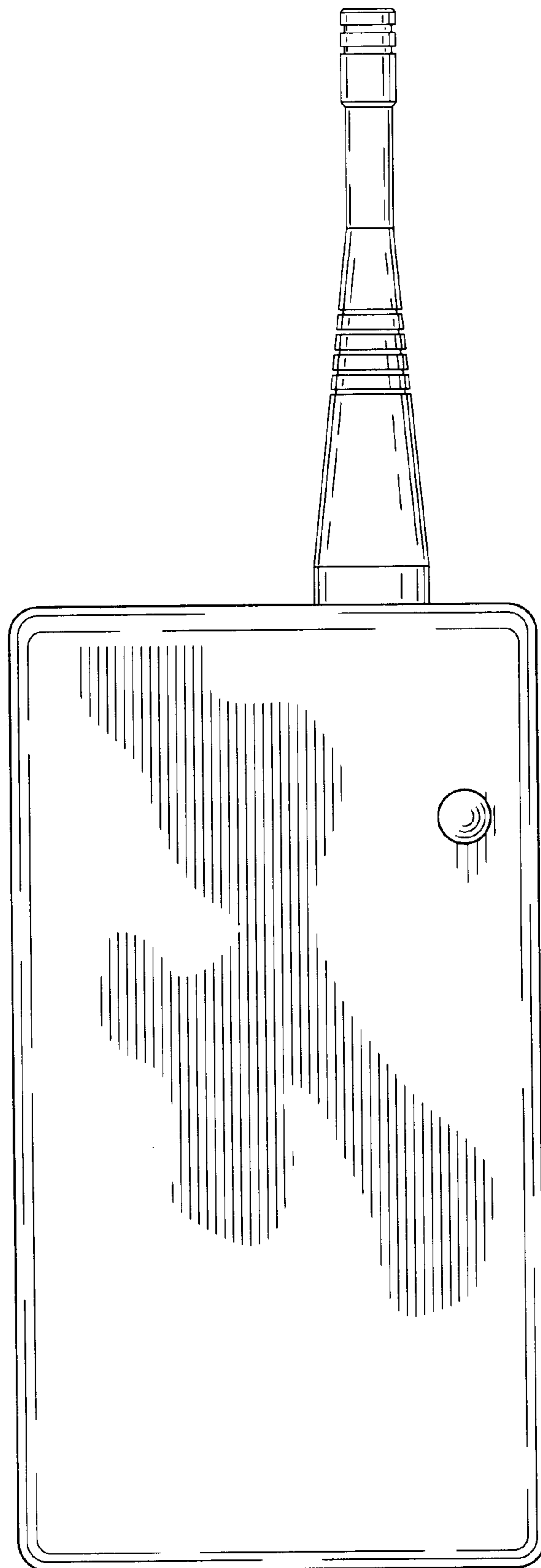


FIG. 2.

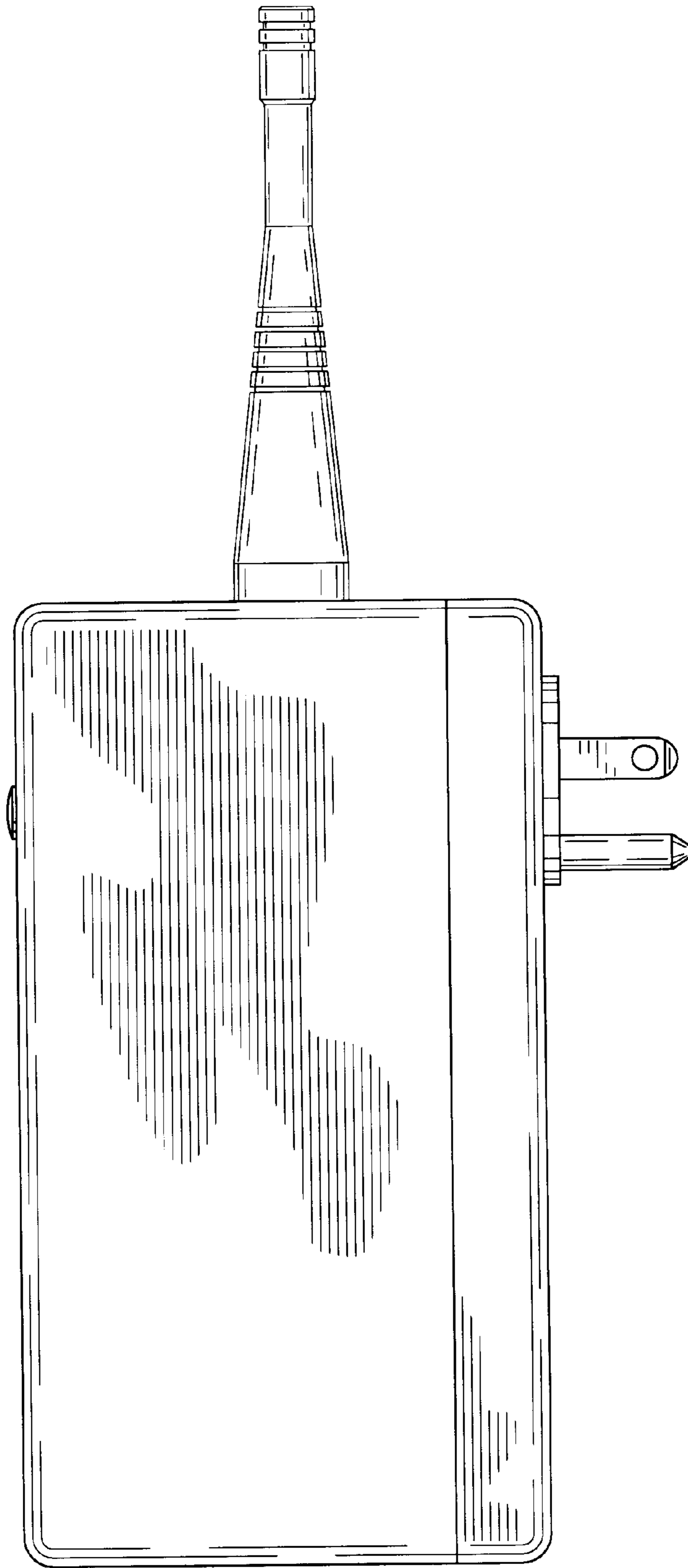


FIG. 3.

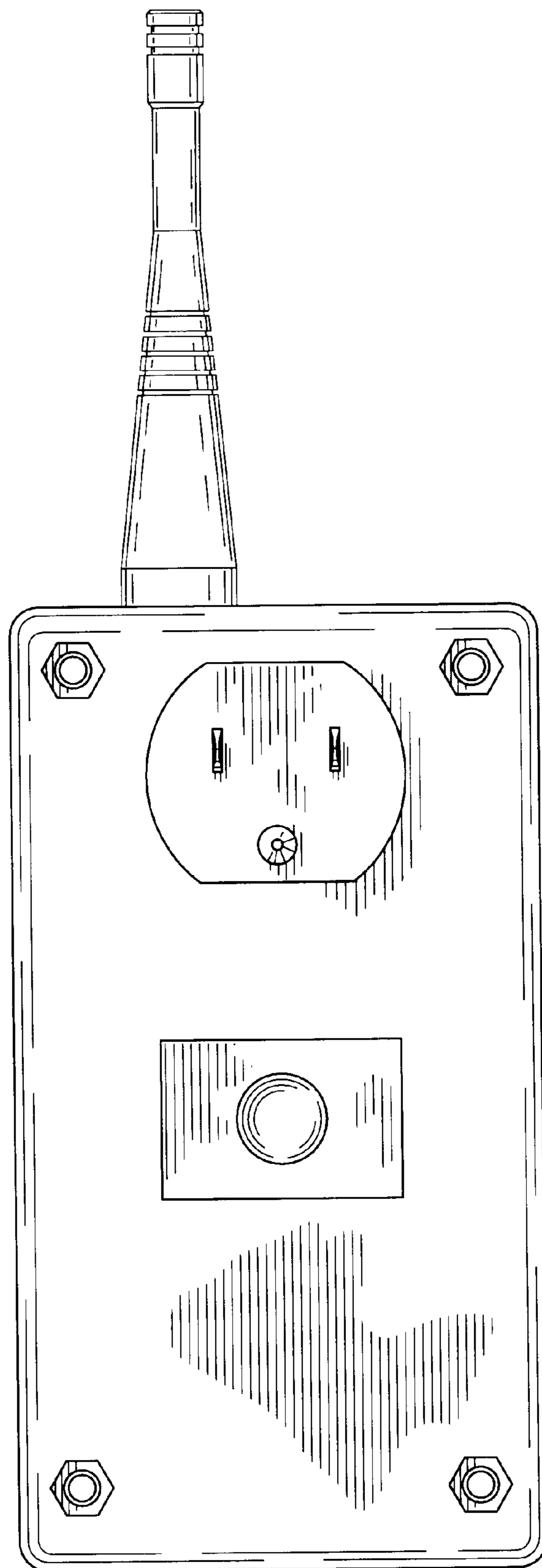


FIG. 4.

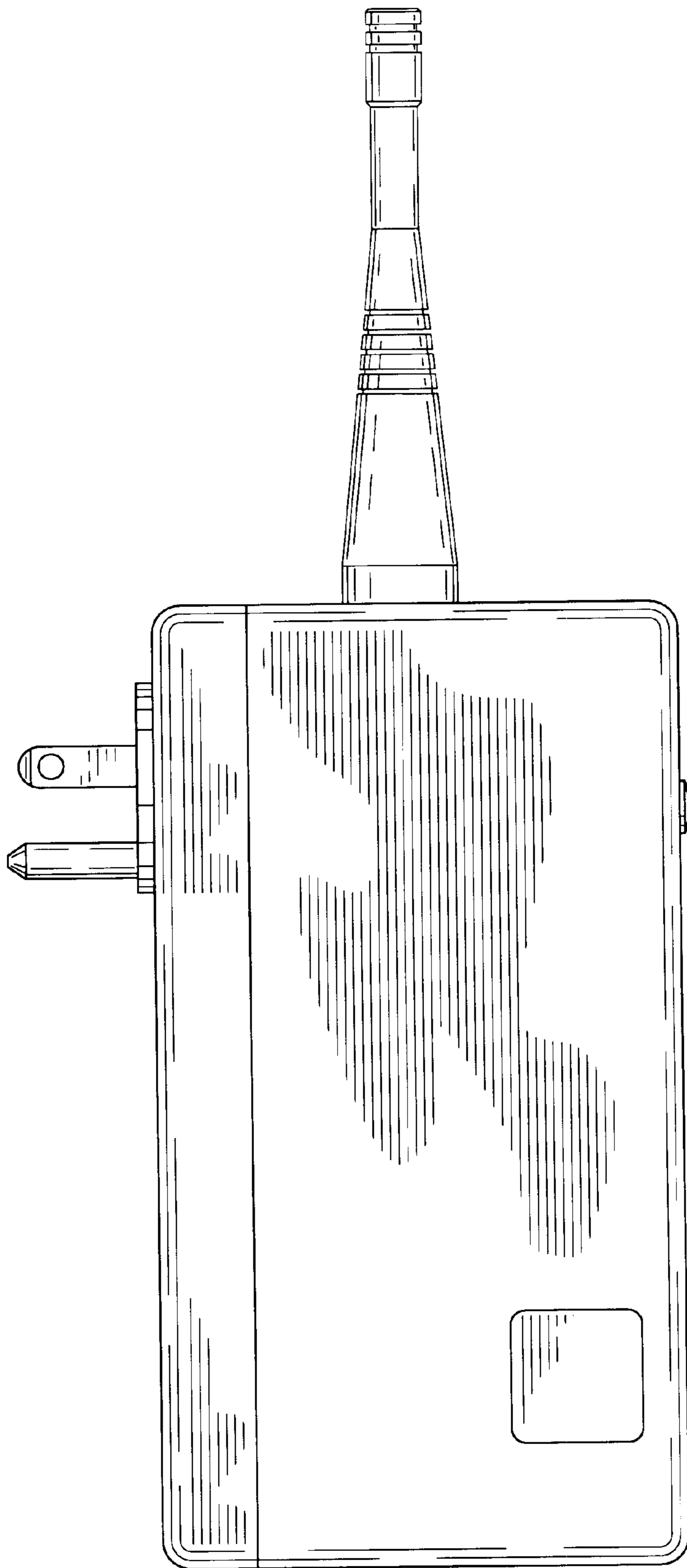


FIG. 5.

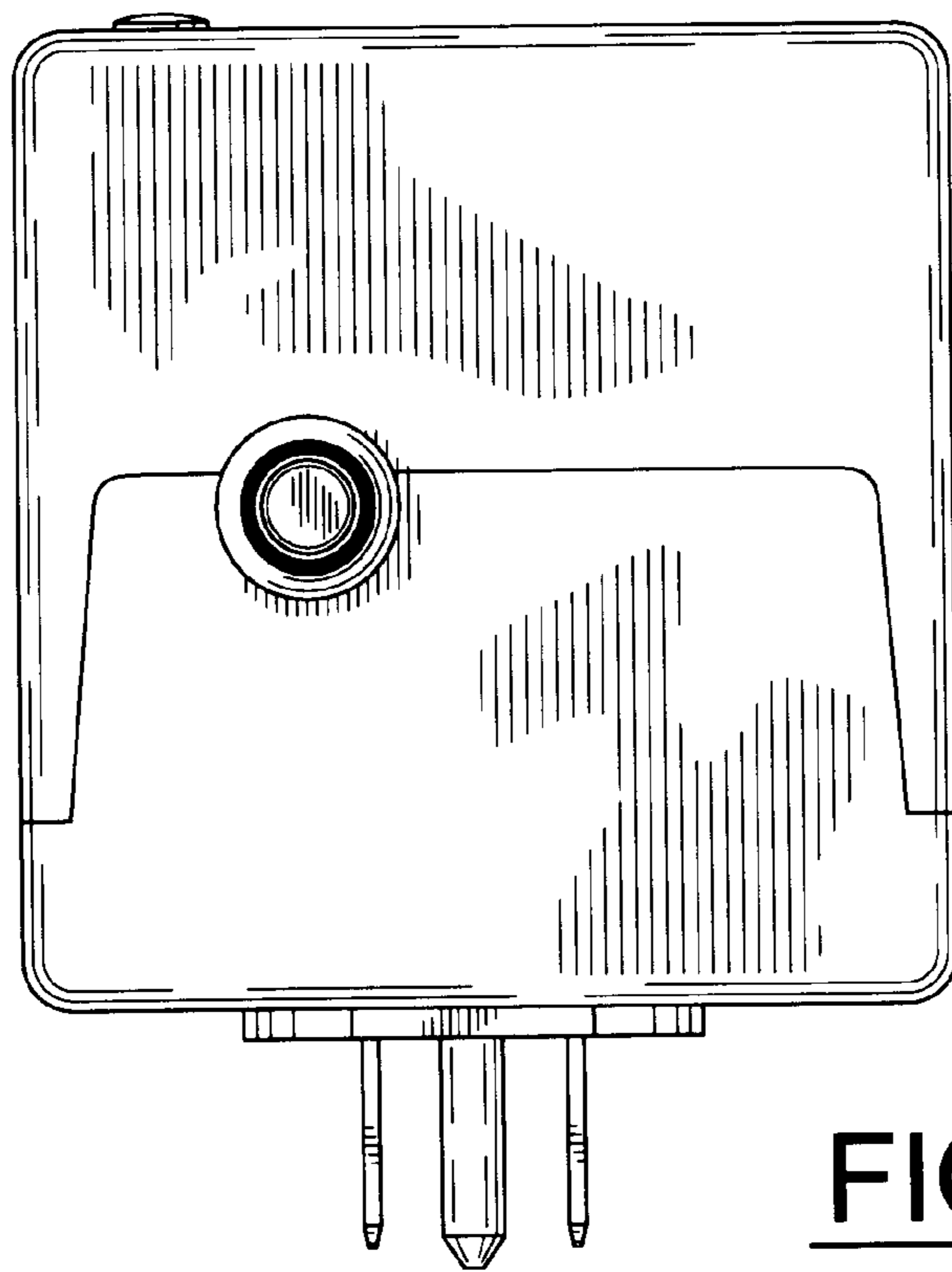


FIG. 6.

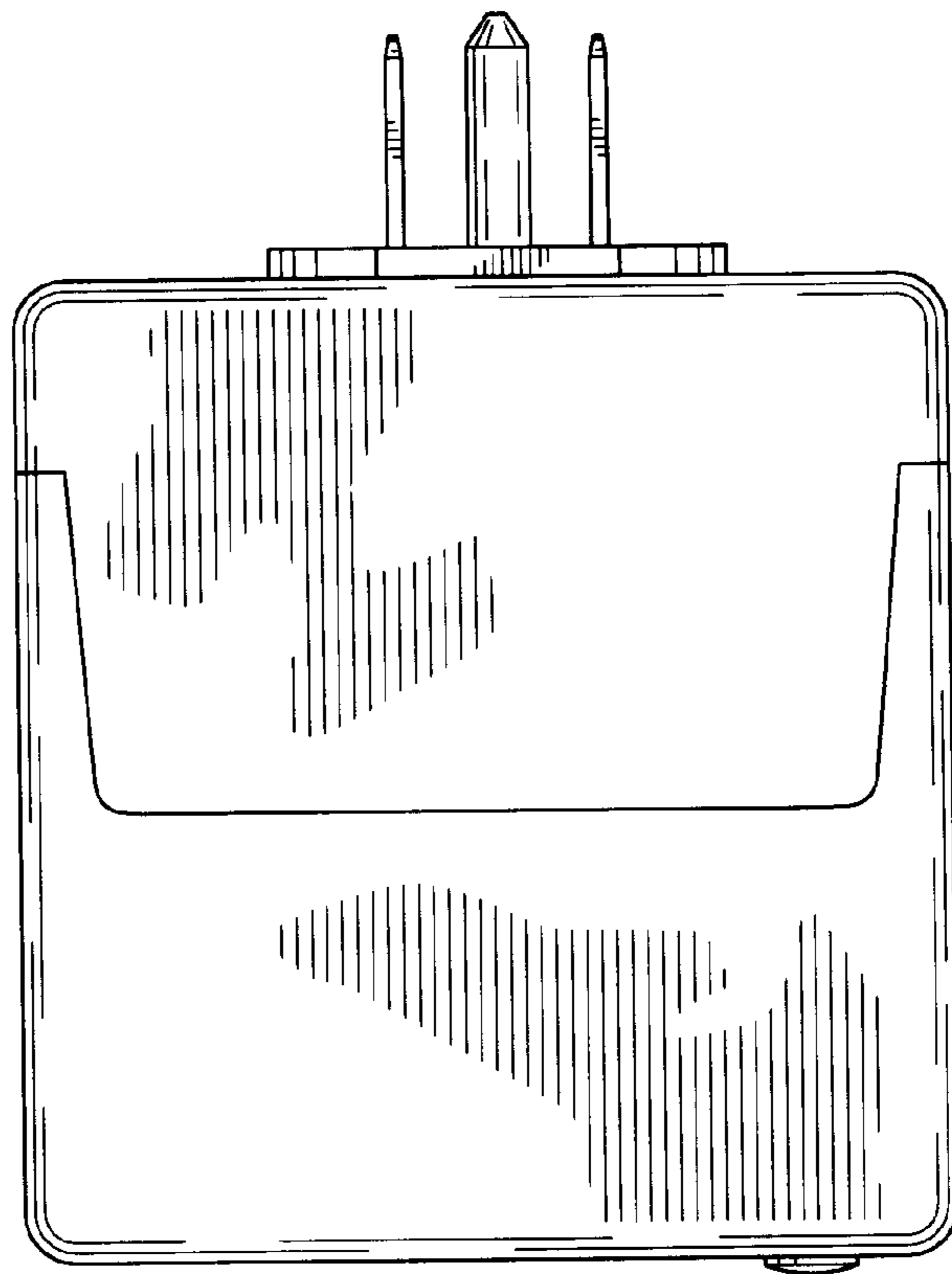


FIG. 7.

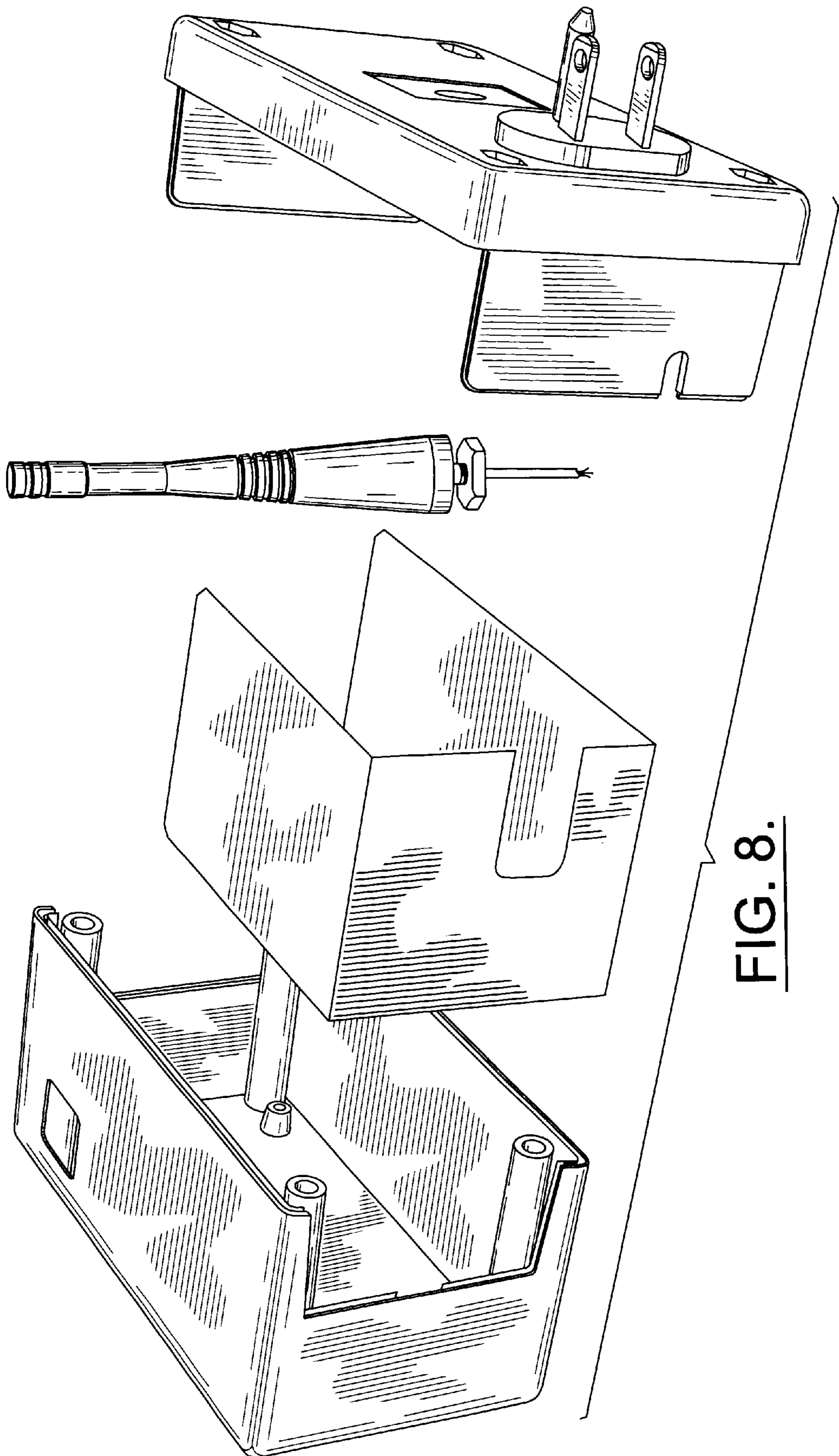


FIG. 8.