



US00D478576S

(12) **United States Design Patent**  
**Leong**

(10) **Patent No.:** **US D478,576 S**

(45) **Date of Patent:** **\*\* Aug. 19, 2003**

(54) **PORTABLE HANDSFREE UNIT**

(75) Inventor: **John Leong**, Singapore (SG)

(73) Assignee: **Telefonaktiebolaget LM Ericsson (publ)**, Stockholm (SE)

(\*\*) Term: **14 Years**

(21) Appl. No.: **29/152,023**

(22) Filed: **Dec. 17, 2001**

(30) **Foreign Application Priority Data**

Jun. 27, 2001 (SE) ..... 01-1083

(51) **LOC (7) Cl.** ..... **14-03**

(52) **U.S. Cl.** ..... **D14/240; D14/223**

(58) **Field of Search** ..... D14/137, 240, D14/138, 218, 140-142, 147-148, 243, 247-248, 253, 144, 155, 159, 341-347, 358, 188, 192-198, 205, 206, 223, 225, 226, 228; 379/433.01-433.13, 419, 434, 428.01-428.04, 420.01-420.04, 440, 430; 455/550-575, 90, 347, 350, 351; D21/517; D3/208, 218; D10/104, 106

(56) **References Cited**

**U.S. PATENT DOCUMENTS**

4,754,484 A	*	6/1988	Larkin et al.	.....	379/430
D316,550 S	*	4/1991	Sogabe	.....	D14/168
D374,011 S	*	9/1996	Baxter	.....	D14/206
D389,806 S	*	1/1998	Nielsen	.....	D13/168
D391,953 S	*	3/1998	Copeland et al.	.....	D14/137
5,771,441 A	*	6/1998	Altstatt	.....	455/66
D409,577 S	*	5/1999	Doppelt et al.	.....	D13/168
5,978,689 A	*	11/1999	Tuoriniemi et al.	.....	455/569
D423,462 S	*	4/2000	Jimenez et al.	.....	D13/168
6,081,594 A	*	6/2000	Tseng	.....	379/420.02
D433,005 S	*	10/2000	McGugan	.....	D14/155
6,154,663 A	*	11/2000	Itamochi	.....	455/569

D448,359 S	*	9/2001	Do et al.	.....	D14/223
D449,281 S	*	10/2001	Larsen et al.	.....	D13/168
D454,556 S	*	3/2002	Schmidt et al.	.....	D14/240
D461,457 S	*	8/2002	Lin	.....	D13/168
D463,787 S	*	10/2002	Beraut et al.	.....	D14/218
D464,037 S	*	10/2002	Waffensmith et al.	.....	D14/218
D465,476 S	*	11/2002	Golding et al.	.....	D14/217
D467,240 S	*	12/2002	Ruohonen	.....	D14/223
2002/0068542 A1	*	6/2002	Copley	.....	455/569 X
2002/0068617 A1	*	6/2002	Han	.....	455/569
2002/0086717 A1	*	7/2002	Lai	.....	455/569
2003/0027606 A1	*	2/2003	Tsai	.....	455/568

**OTHER PUBLICATIONS**

www.plantronics.com, model M155-N2, site visited Feb. 20, 2003.\*

www.Mobilecityonline.com, Sony Ericsson HBH-20, site visited Feb. 20, 2003.\*

\* cited by examiner

*Primary Examiner*—Jeffrey Asch

(74) *Attorney, Agent, or Firm*—Burns, Doane, Swecker & Mathis, L.L.P.

(57) **CLAIM**

The ornamental design for a portable handsfree unit, as shown and described.

**DESCRIPTION**

FIG. 1 is a front, top perspective view of a portable hands-free unit showing my new design.

FIG. 2 is a front, bottom perspective view thereof.

FIG. 3 is a bottom plan view thereof.

FIG. 4 is a top plan view thereof.

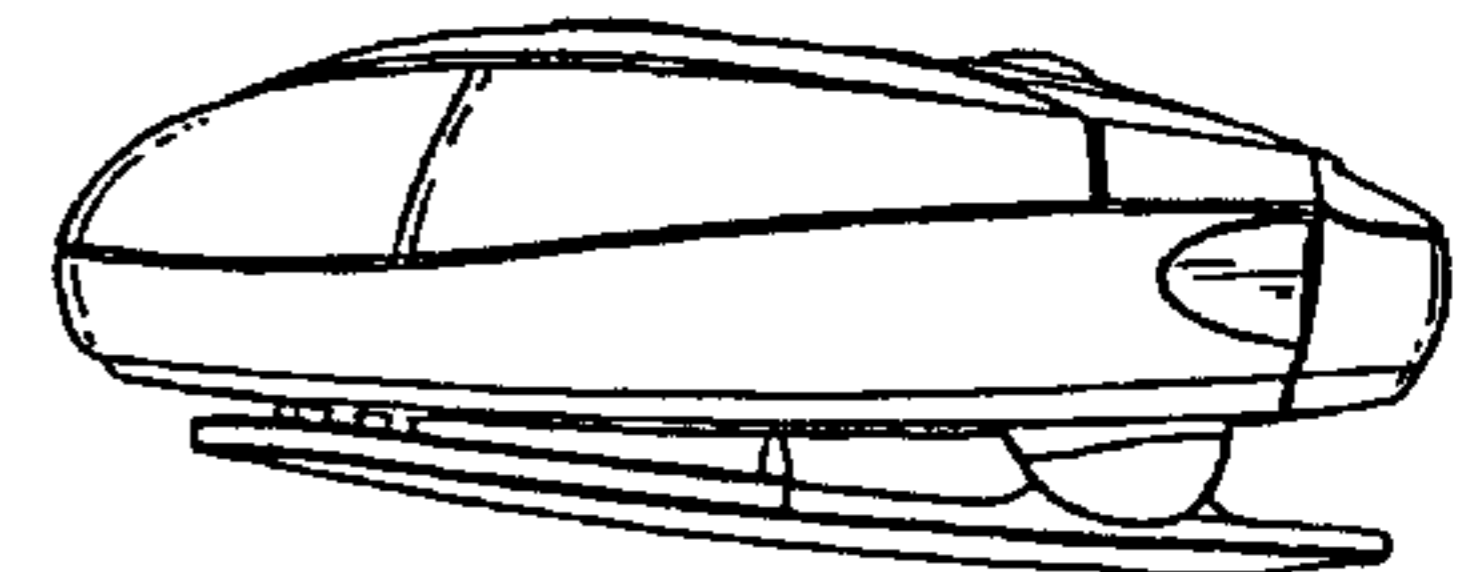
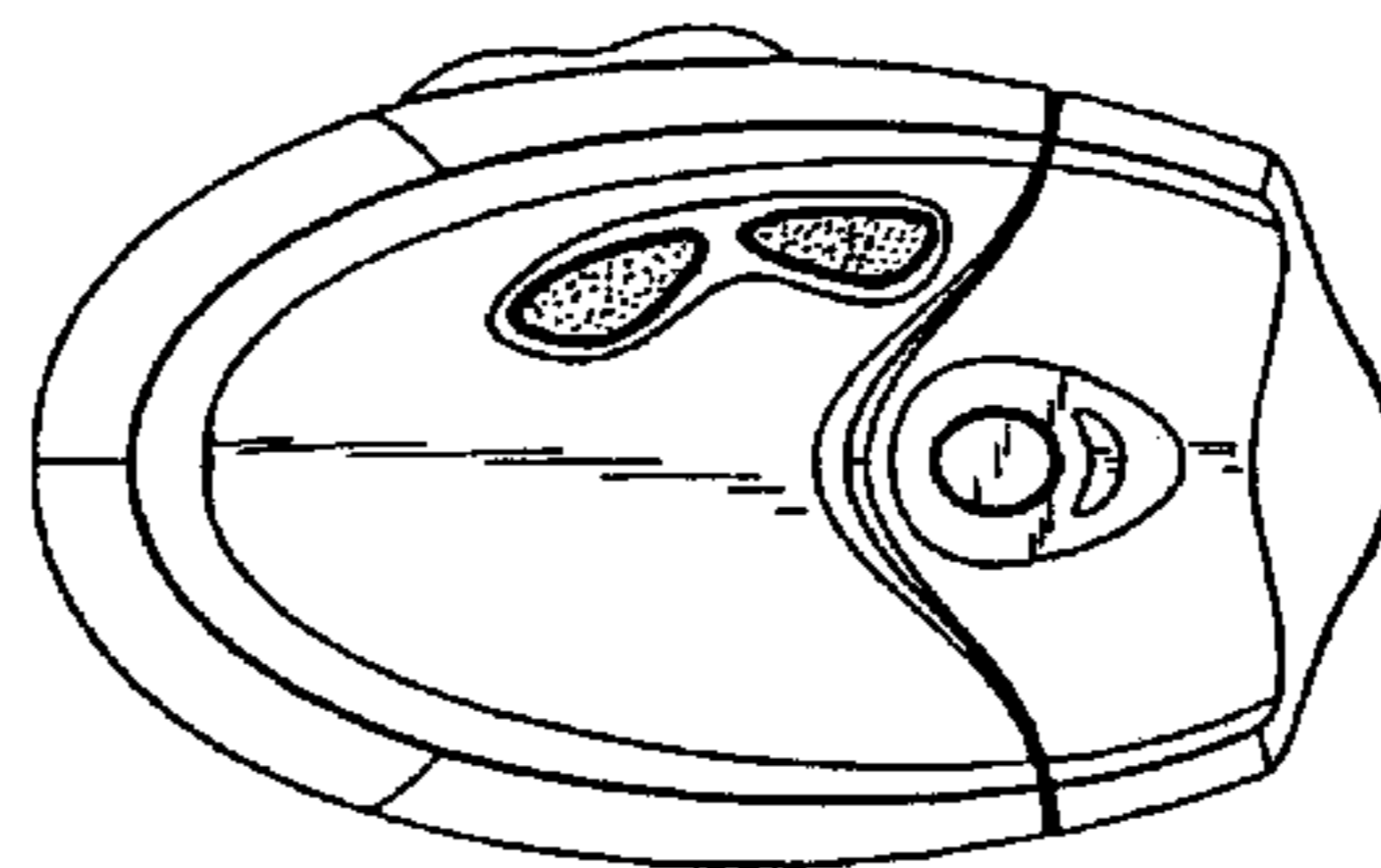
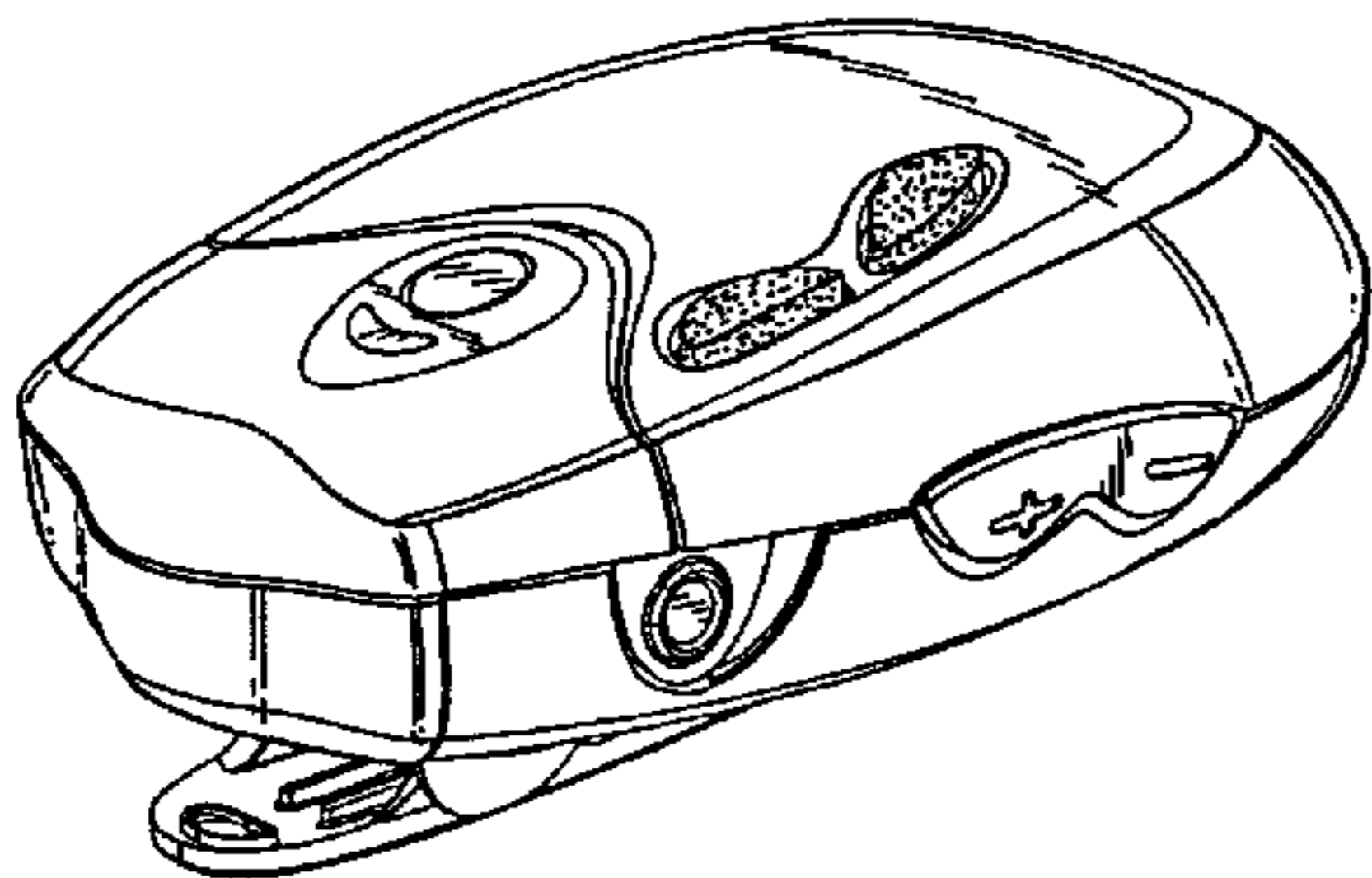
FIG. 5 is a right side elevational view thereof.

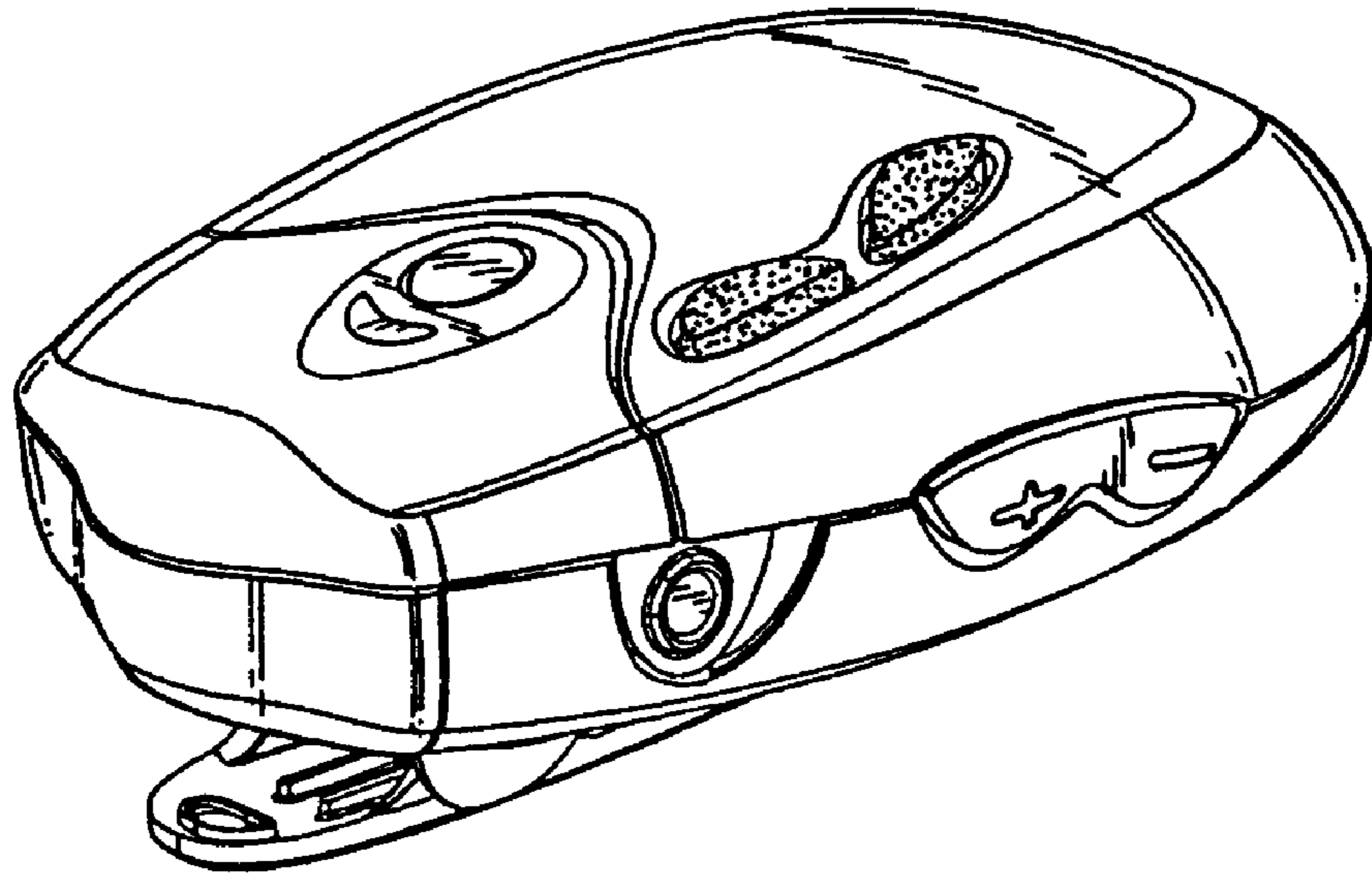
FIG. 6 is a left side elevational view thereof.

FIG. 7 is a rear elevational view thereof; and,

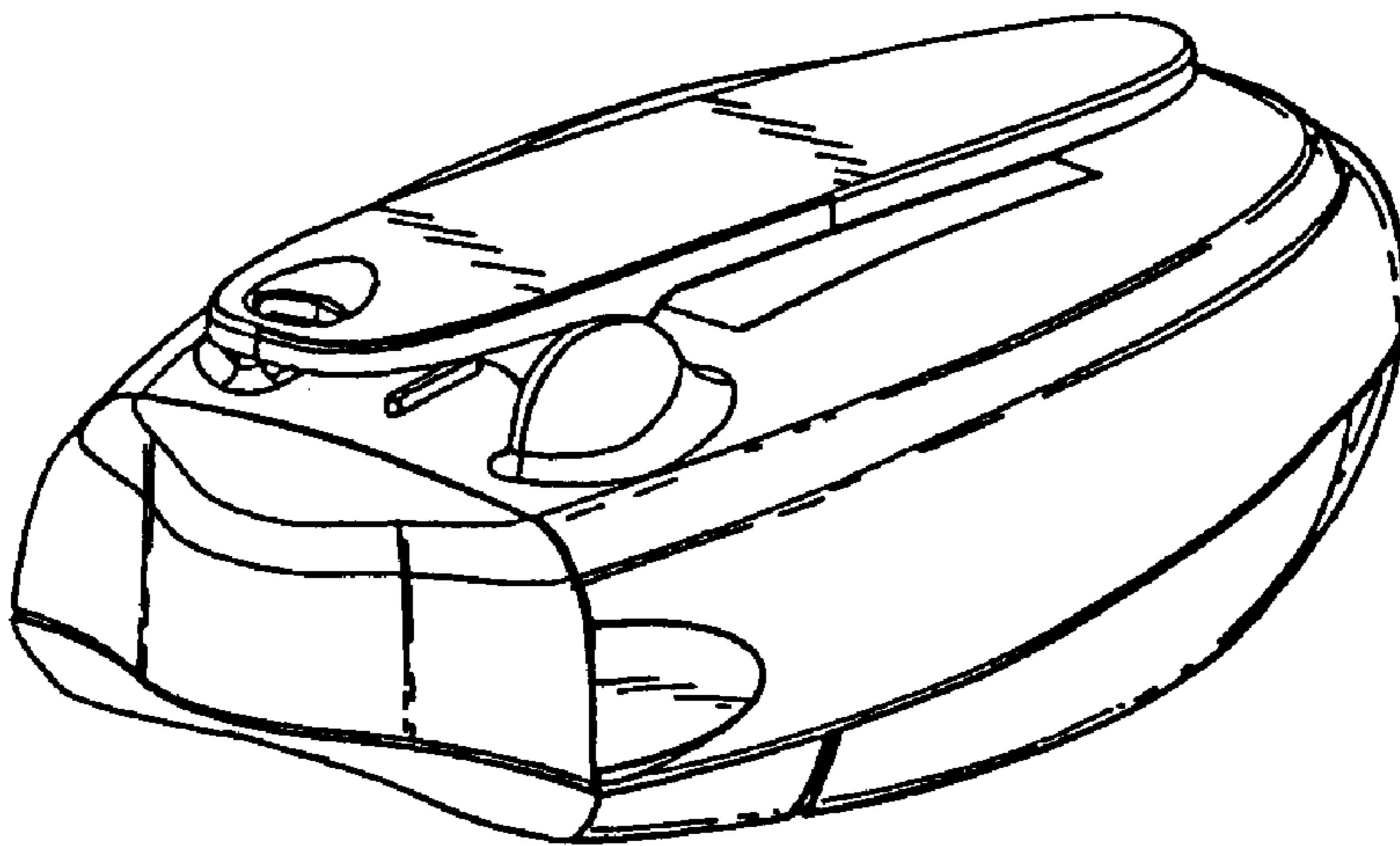
FIG. 8 is a front elevational view thereof.

**1 Claim, 3 Drawing Sheets**

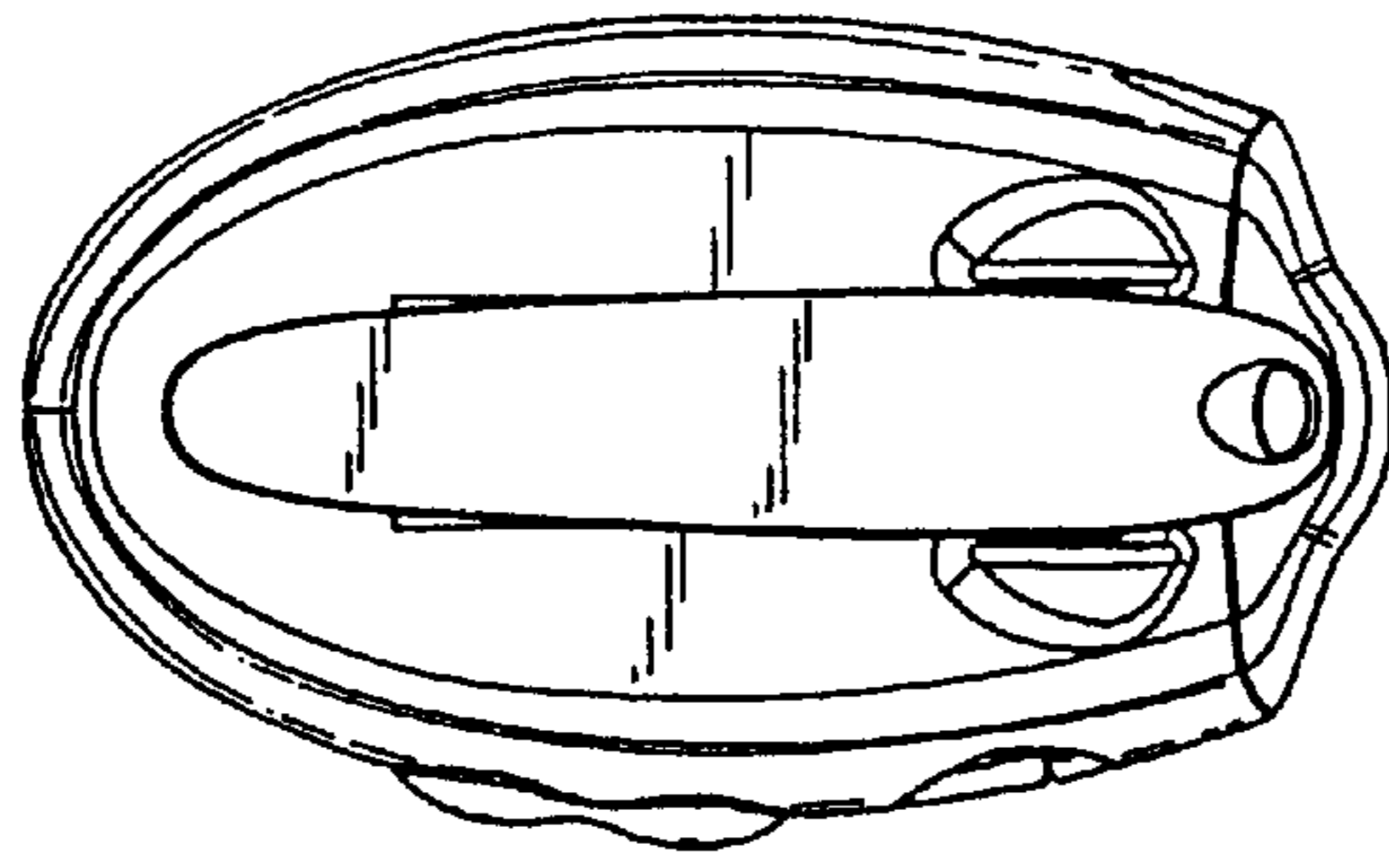




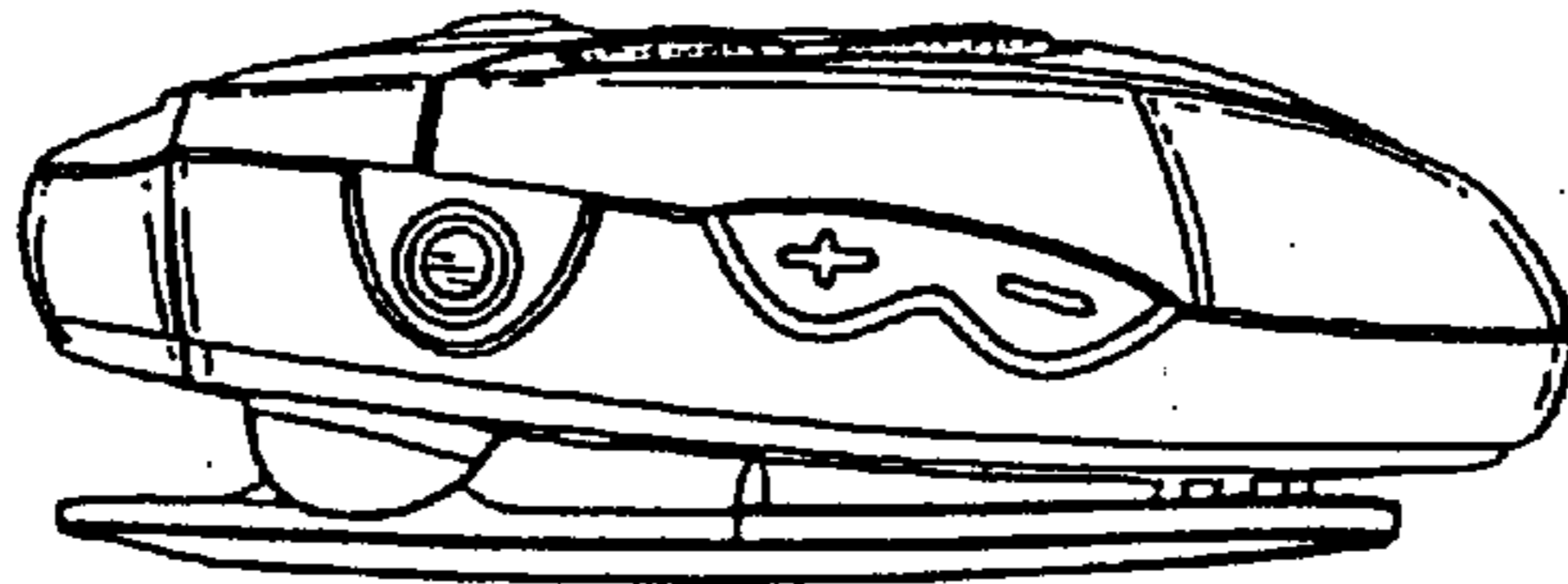
**FIG. 1**



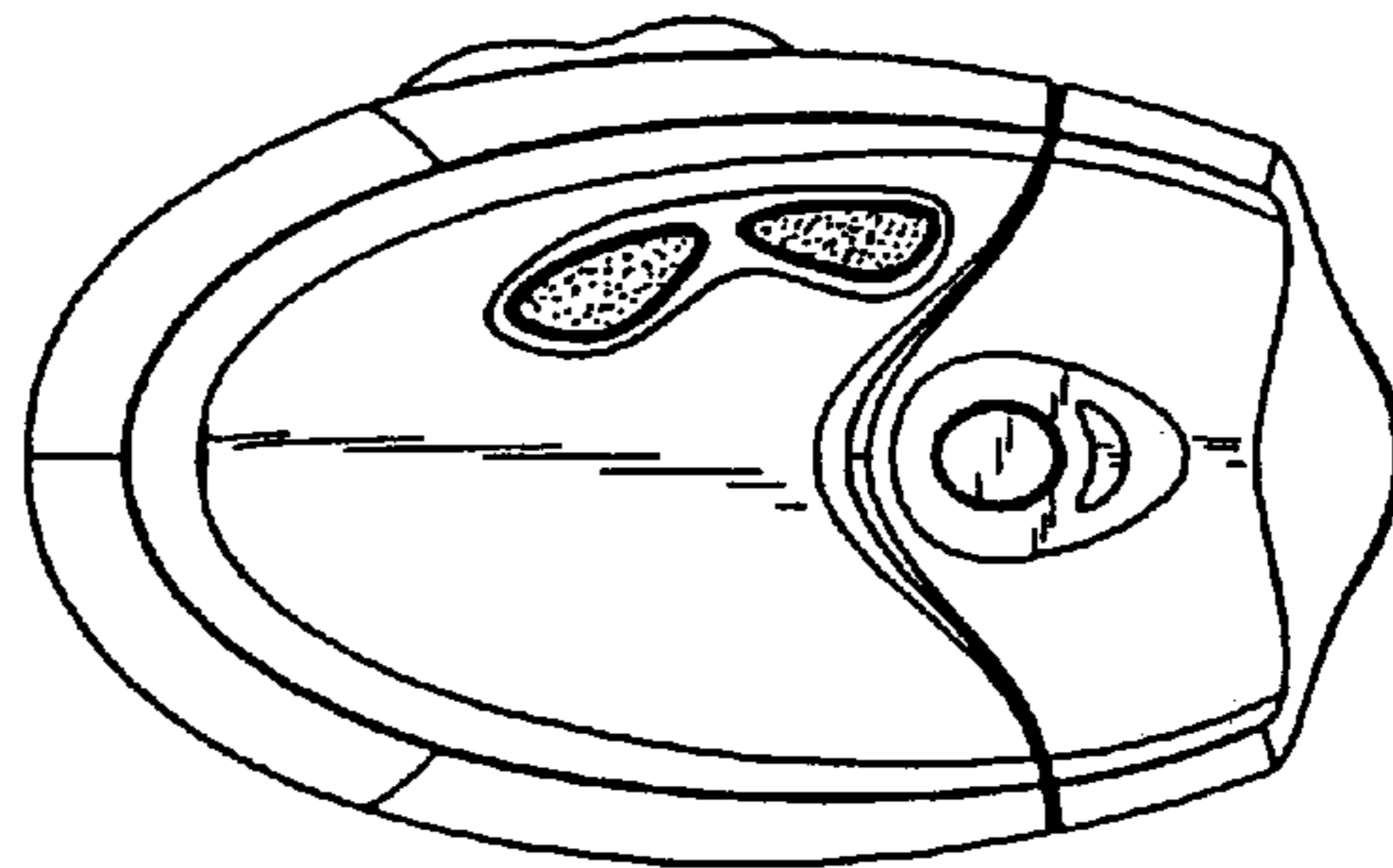
**FIG. 2**



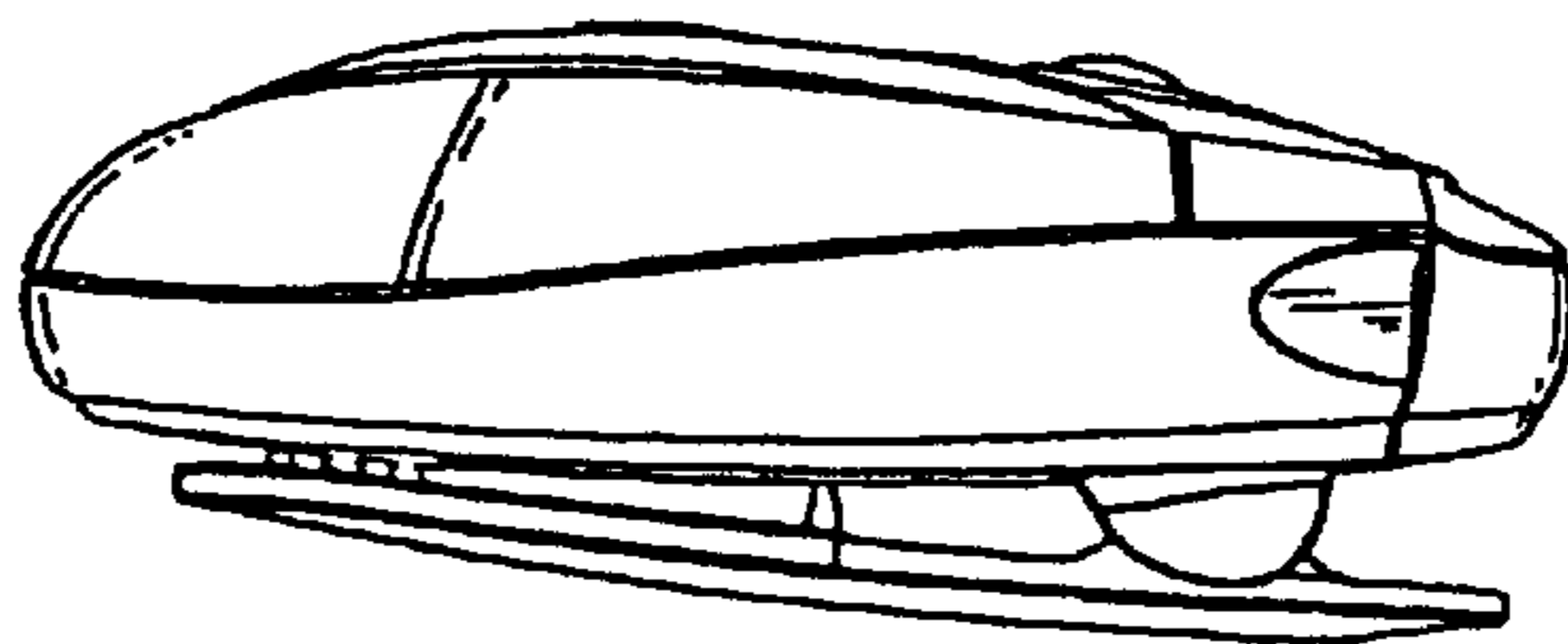
**FIG. 3**



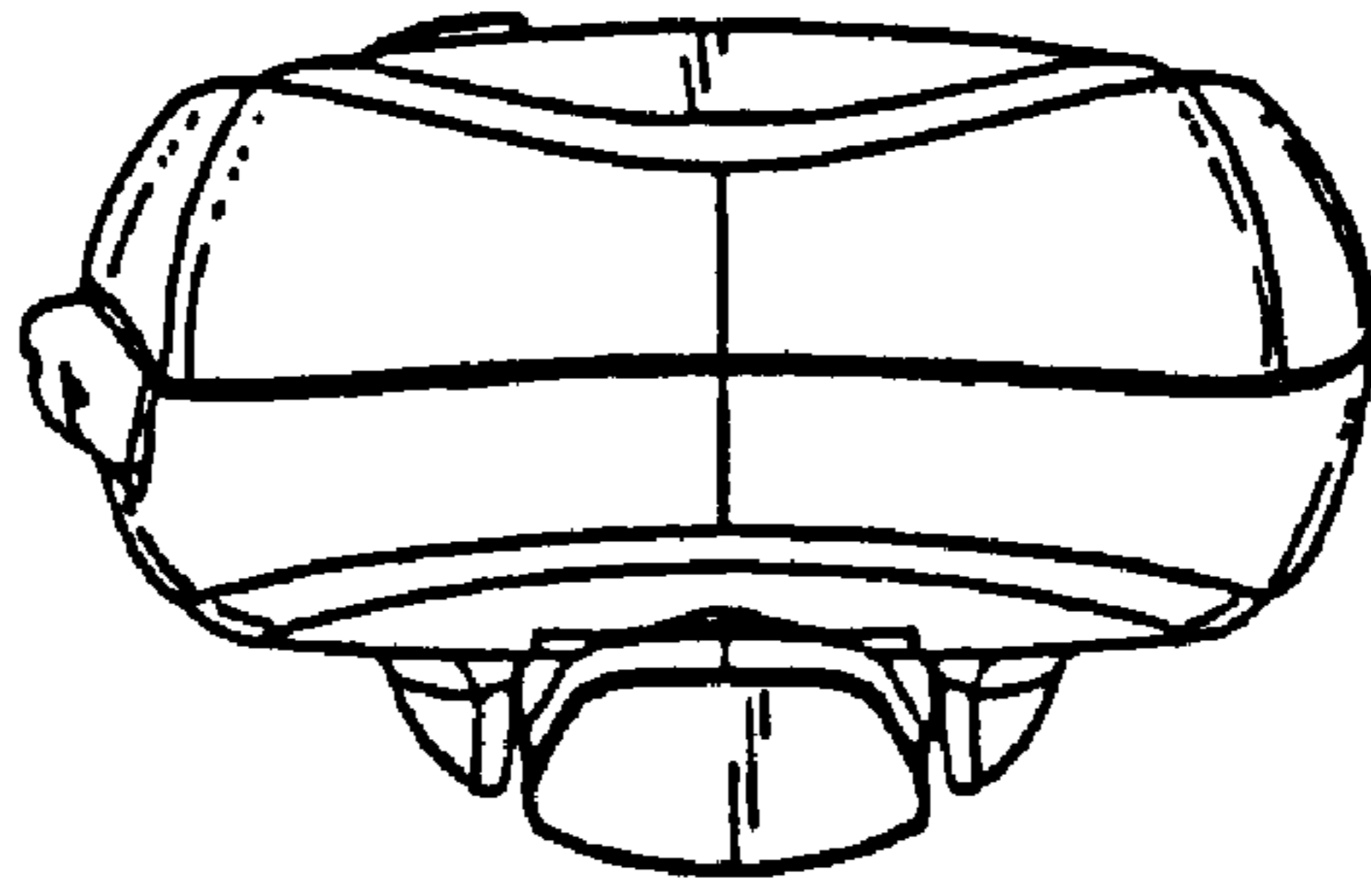
**FIG. 5**



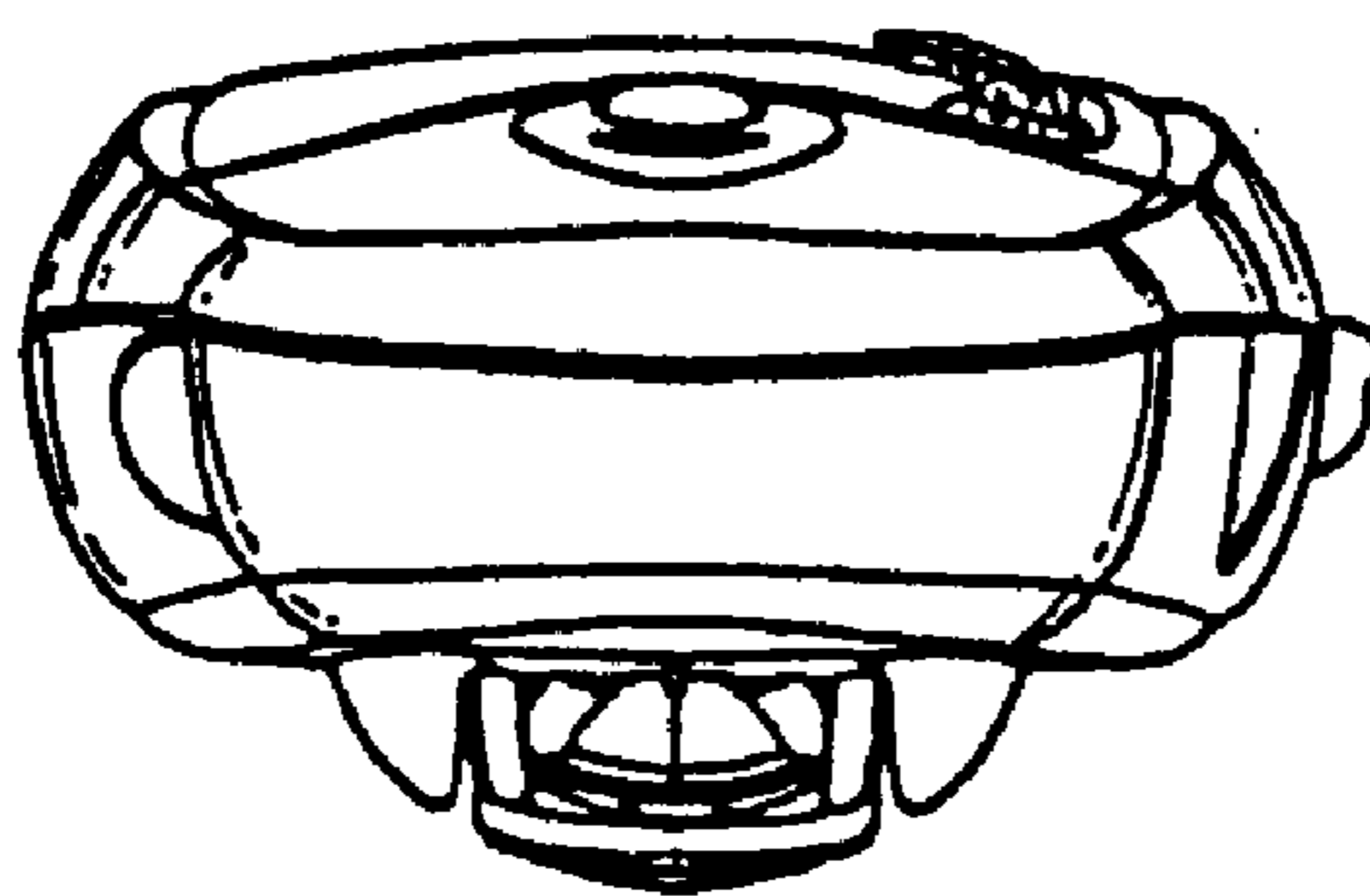
**FIG. 4**



**FIG. 6**



**FIG. 7**



**FIG. 8**