



US00D478569S

(12) **United States Design Patent**
Hussaini et al.

(10) **Patent No.:** **US D478,569 S**

(45) **Date of Patent:** **** Aug. 19, 2003**

(54) **REMOTE CONTROL**

(74) *Attorney, Agent, or Firm*—Liniak, Berenato & White

(75) Inventors: **Saied Hussaini**, Miami, FL (US); **Marc Iacovelli**, Miami, FL (US)

(57) **CLAIM**

(73) Assignee: **Intec, Inc.**, Miami, FL (US)

The ornamental design for a remote control, as shown and described.

(**) Term: **14 Years**

(21) Appl. No.: **29/163,533**

DESCRIPTION

(22) Filed: **Jul. 9, 2002**

(51) **LOC (7) Cl.** **14-03**

FIG. 1 is a front view of the remote control according to the present invention.

(52) **U.S. Cl.** **D14/218**

FIG. 2 is a rear view of the remote control of FIG. 1.

(58) **Field of Search** D14/174, 217, D14/218, 137-139, 151, 191-193, 124, 299, 167-168; D13/168, 162-164; D21/512-517, 566; D10/104, 106; 455/352-355, 151.1-151.4; 348/114, 734

FIG. 3 is a top side view of the remote control of FIG. 1.

FIG. 4 is a bottom side view of the remote control of FIG. 1.

(56) **References Cited**

U.S. PATENT DOCUMENTS

D369,606 S * 5/1996 Marks D14/218
D451,498 S * 12/2001 Rossel D14/218

FIG. 5 is a left side view of the remote control of FIG. 1.

FIG. 6 is a right side view of the remote control of FIG. 1; and,

OTHER PUBLICATIONS

Sound and Vision May 2001 p. 26 Proton remote.*

FIG. 7 is a front and left elevational perspective view of the remote control of FIG. 1.

* cited by examiner

Primary Examiner—Louis S. Zarfes

Assistant Examiner—Deanne Levy

1 Claim, 4 Drawing Sheets

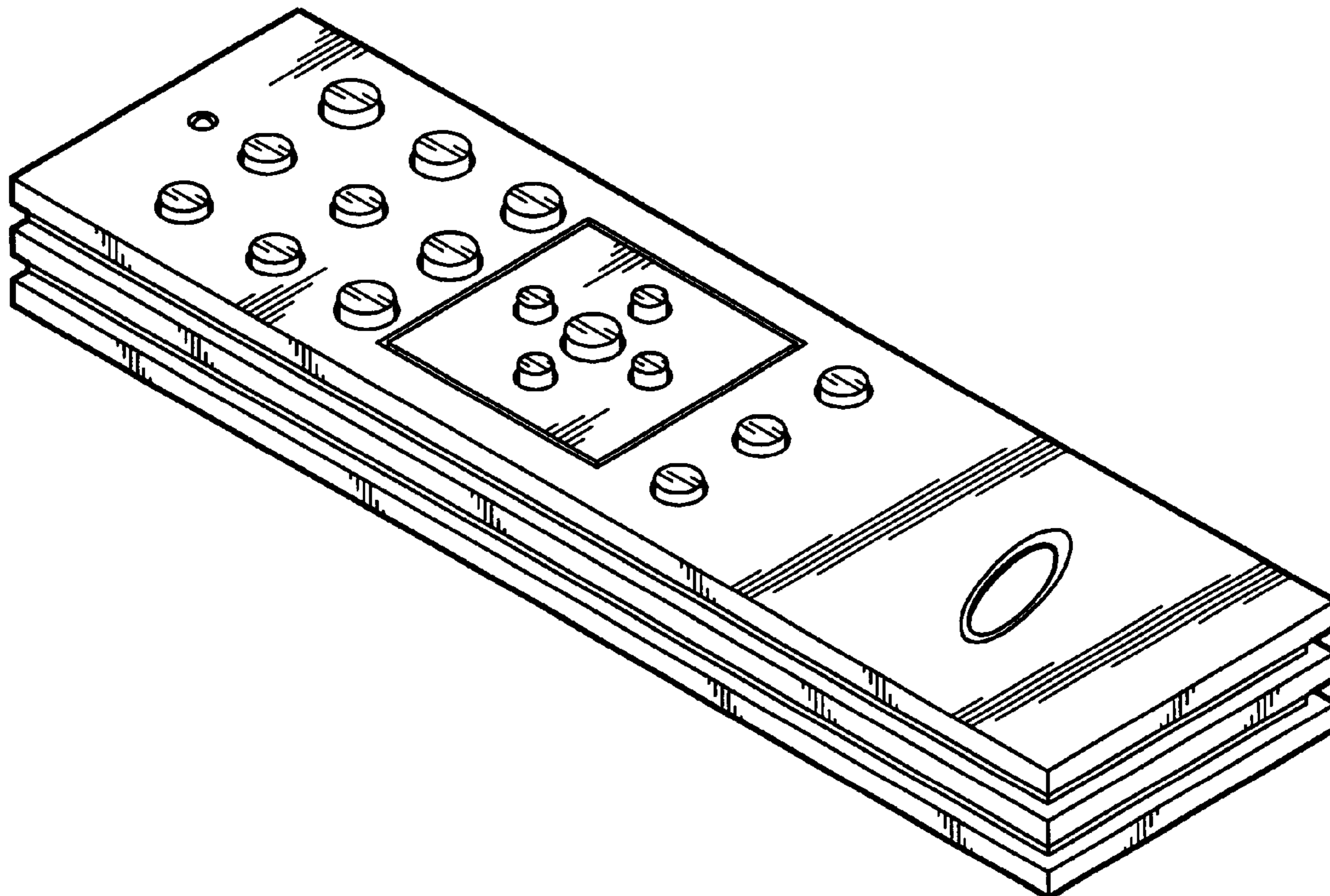


Fig. 1

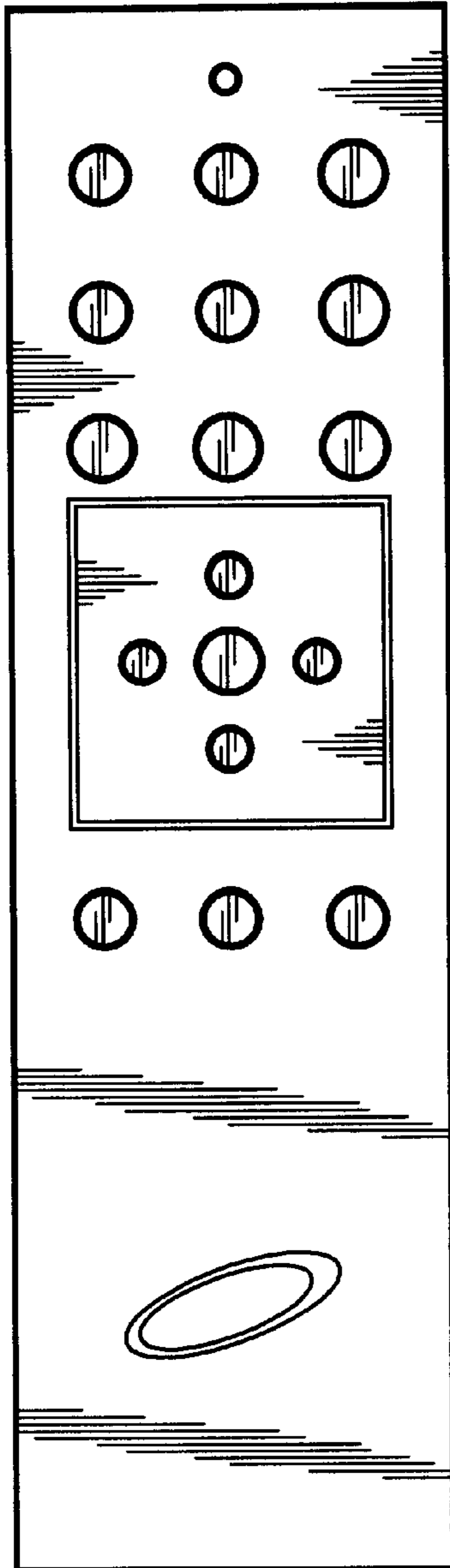


Fig. 2

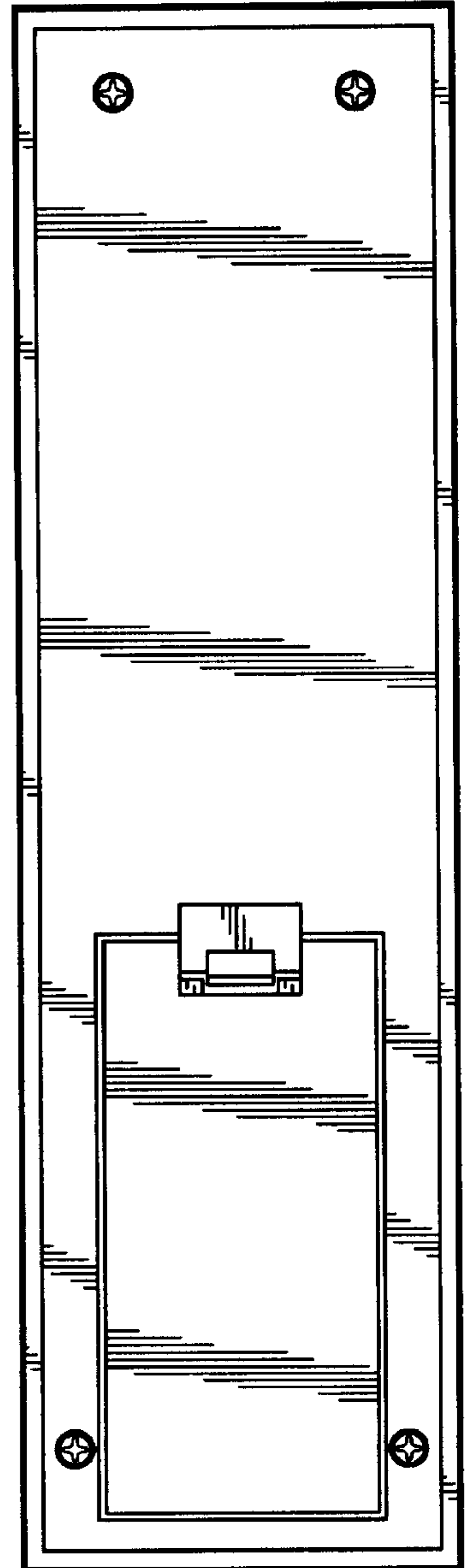


Fig. 3

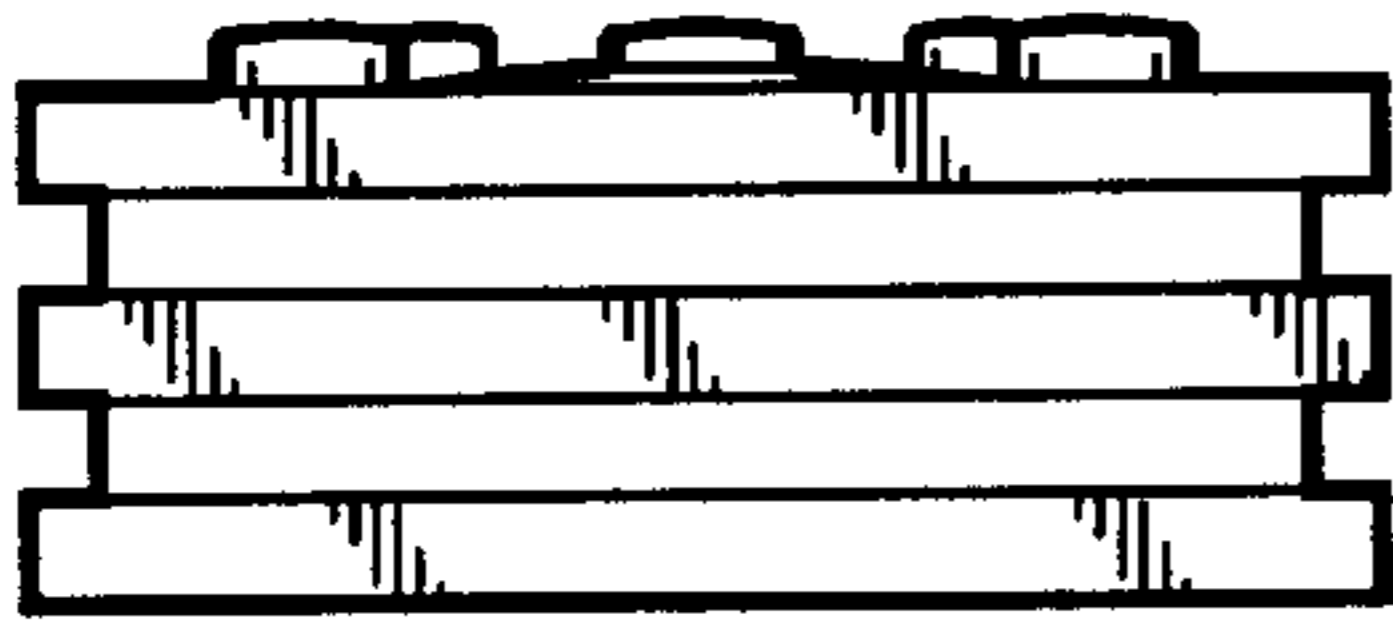


Fig. 4

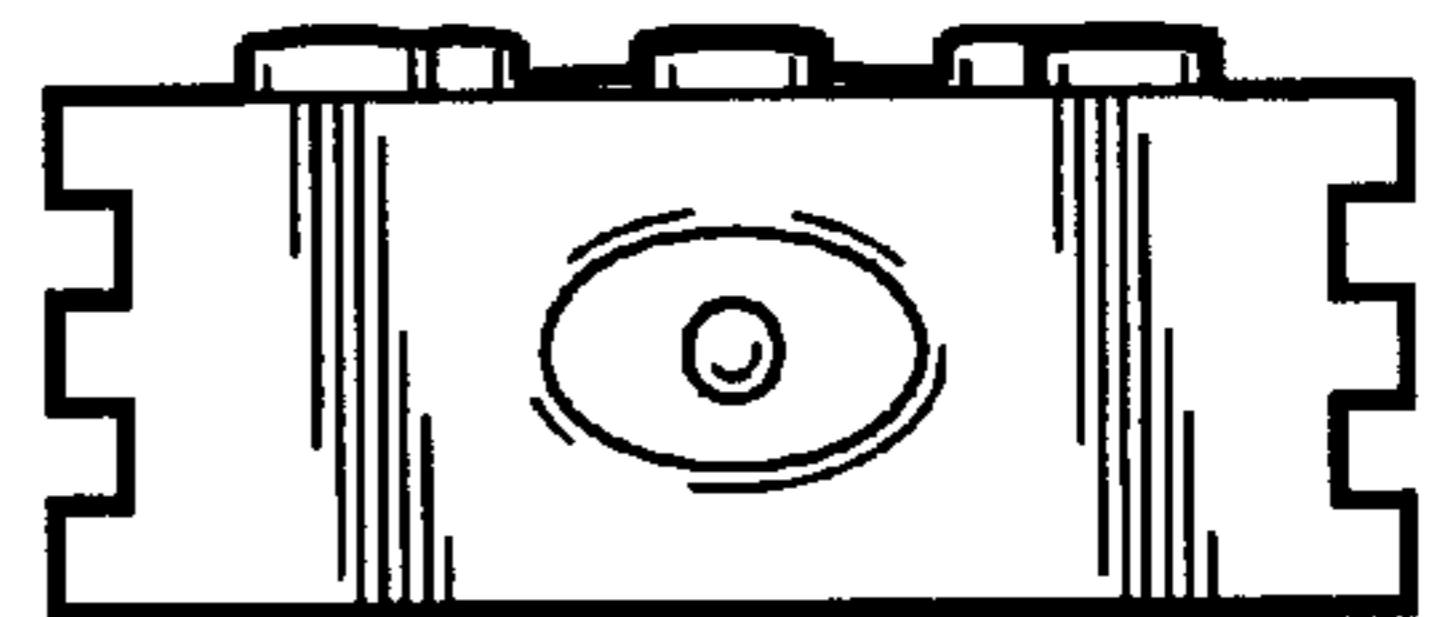


Fig. 5

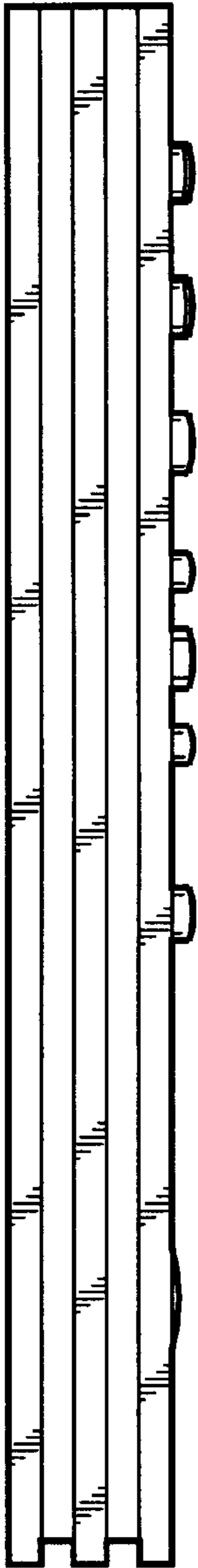
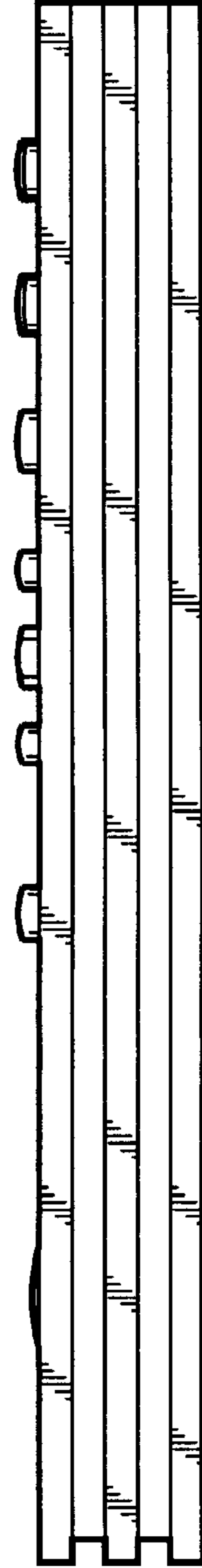


Fig. 6



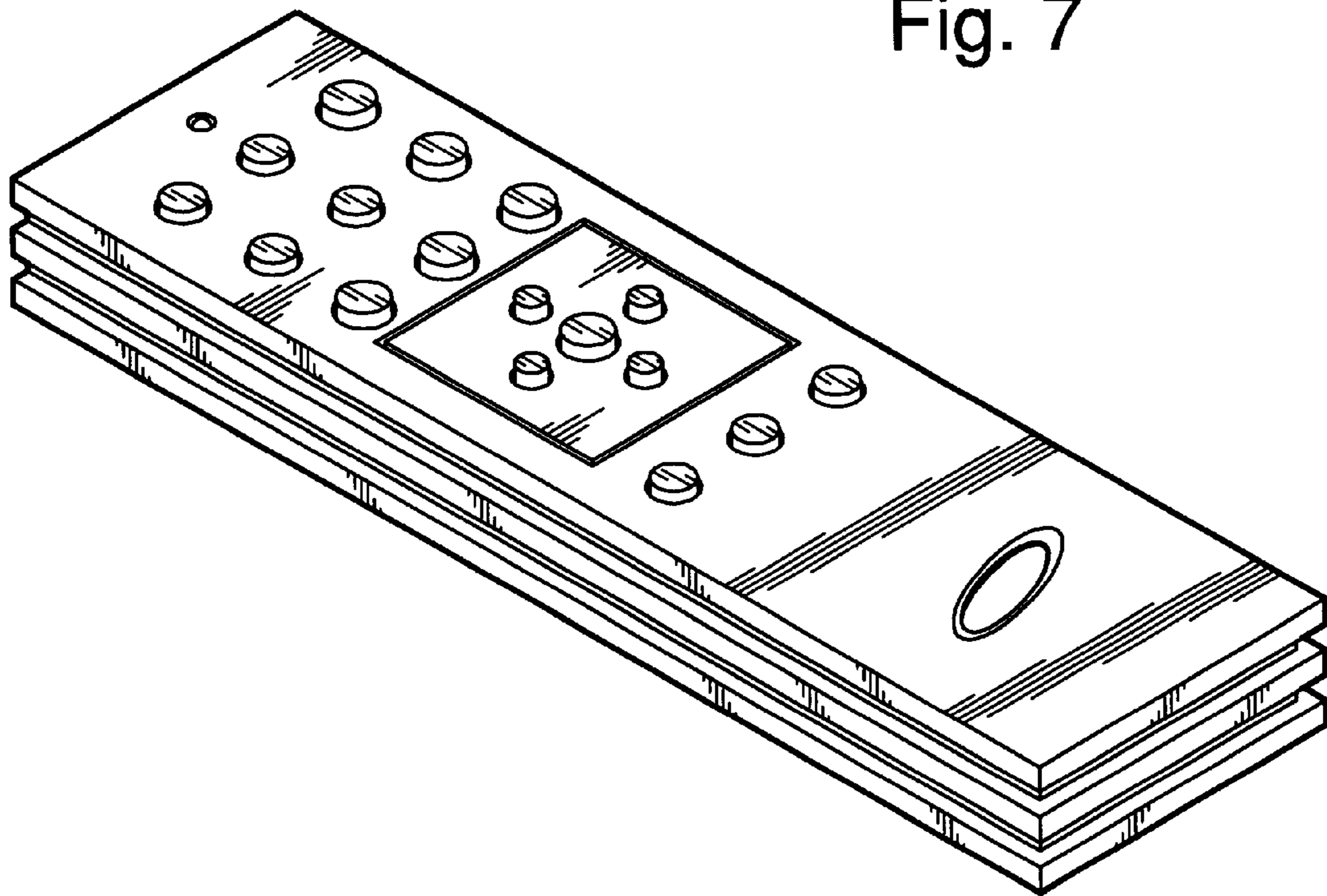


Fig. 7