



US00D478563S

(12) **United States Design Patent**  
**Brown**

(10) **Patent No.:** **US D478,563 S**

(45) **Date of Patent:** **\*\* Aug. 19, 2003**

(54) **VIDEO AMPLIFIER AND CABLE ADAPTOR**

D436,927 S \* 1/2001 Hogan ..... D13/153

(75) Inventor: **Paul Anson Brown**, Sunnyvale, CA  
(US)

\* cited by examiner

*Primary Examiner*—Joel Sincavage

(73) Assignee: **SP Controls, Inc.**, San Francisco, CA  
(US)

(74) *Attorney, Agent, or Firm*—Girard & Equitz LLP

(\*\*) Term: **14 Years**

(57) **CLAIM**

The ornamental design for a video amplifier and cable adaptor, as shown and described.

(21) Appl. No.: **29/150,458**

**DESCRIPTION**

(22) Filed: **Nov. 16, 2001**

(51) **LOC (7) Cl.** ..... **14-03**

(52) **U.S. Cl.** ..... **D14/188; D13/147**

(58) **Field of Search** ..... D13/133, 147,  
D13/153, 154; D14/256, 188; 439/502,  
607, 610, 638, 676

FIG. 1 is a perspective view of a device (a video amplifier and cable adaptor) having the inventive design. The device has a receptacle at its front end to which a first cable (not shown) can be removably attached and a terminal at its back end to which a second cable (shown in broken line view) can be attached.

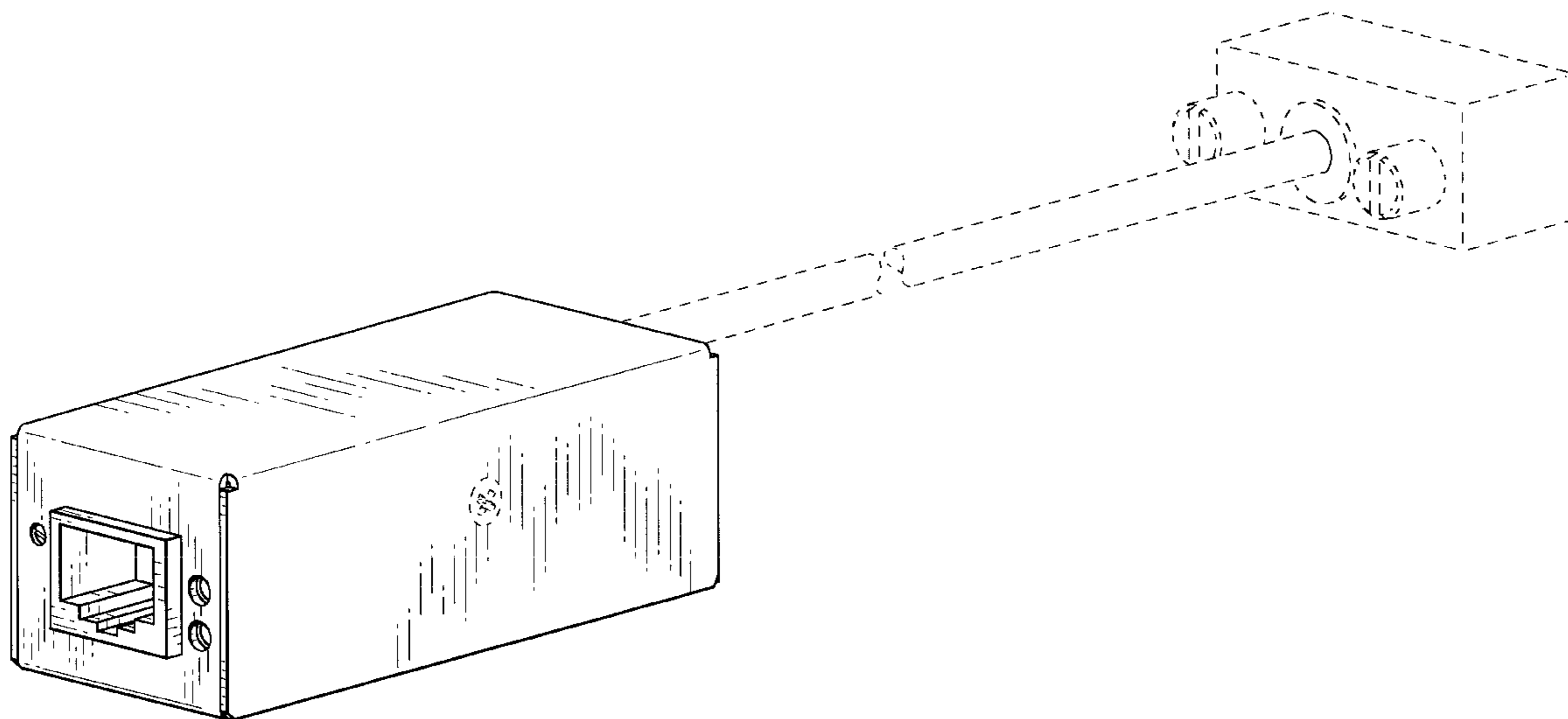
(56) **References Cited**

**U.S. PATENT DOCUMENTS**

4,740,172	A	*	4/1988	Tubbs	.....	439/344
5,199,891	A	*	4/1993	Reed	.....	439/676 X
D354,953	S	*	1/1995	Kazufimi et al.	.....	D14/242
D363,700	S	*	10/1995	Buongervino et al.	.....	D13/147
5,639,262	A	*	6/1997	Lim	.....	439/607
5,733,146	A	*	3/1998	Block	.....	439/610
6,007,384	A	*	12/1999	Kraemer et al.	.....	439/610

FIG. 2 is a side view of the device shown in FIG. 1. FIG. 3 is a front view of the device shown in FIG. 1. FIG. 4 is a back view of the device shown in FIG. 1. FIG. 5 is a top view of the device shown in FIG. 1; and, FIG. 6 is a bottom view of the device shown in FIG. 1. The broken line environmental structure (a video cable) in FIGS. 1-6, and the broken line structure in FIGS. 1 and 2, are for illustration purposes only and form no part of the claimed design.

**1 Claim, 3 Drawing Sheets**



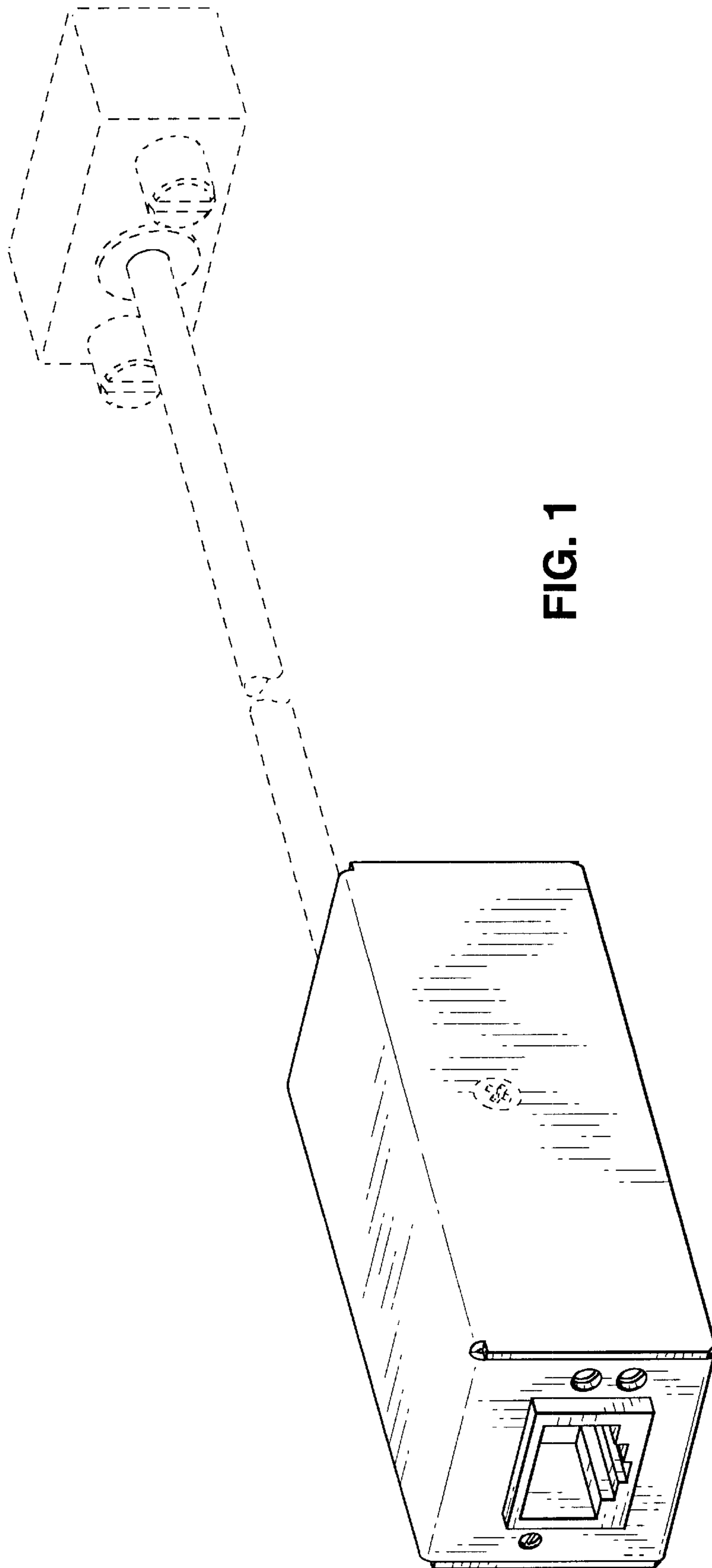


FIG. 1

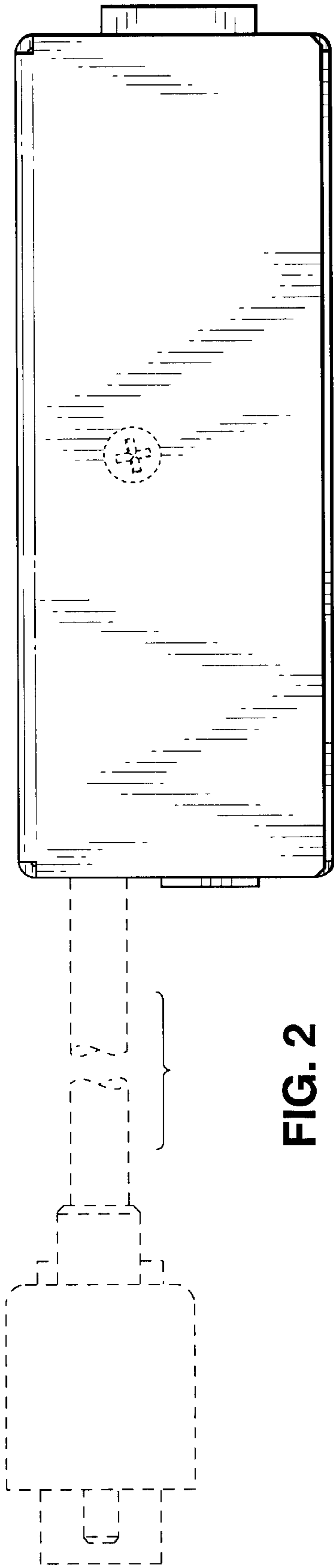


FIG. 2



FIG. 3

FIG. 4

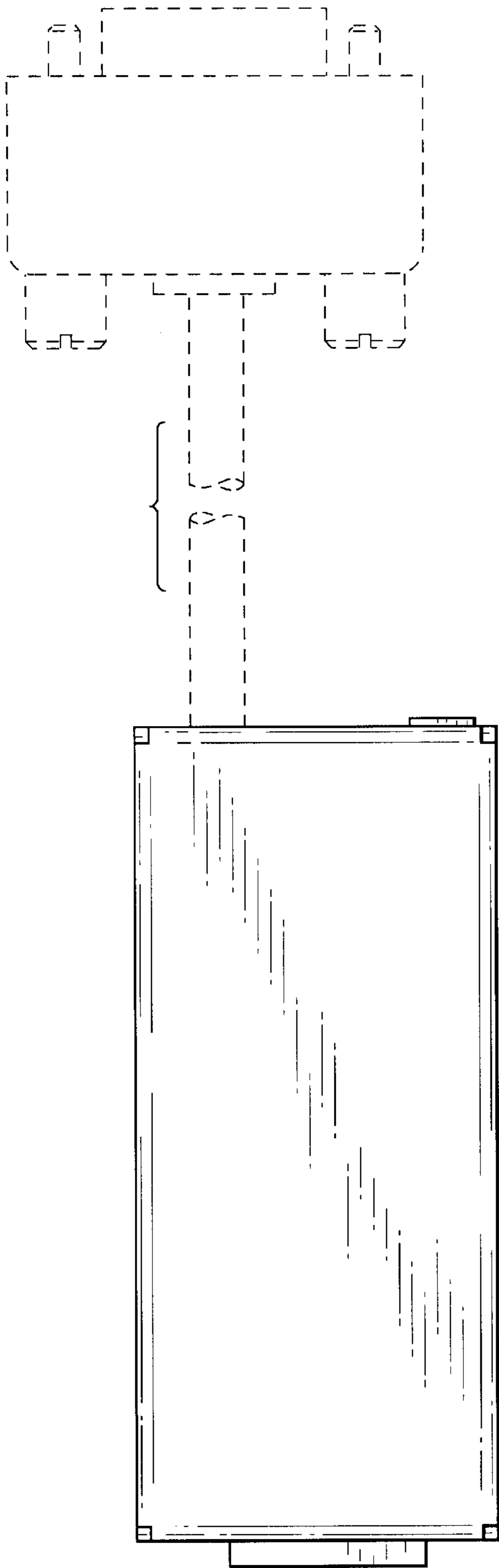


FIG. 5

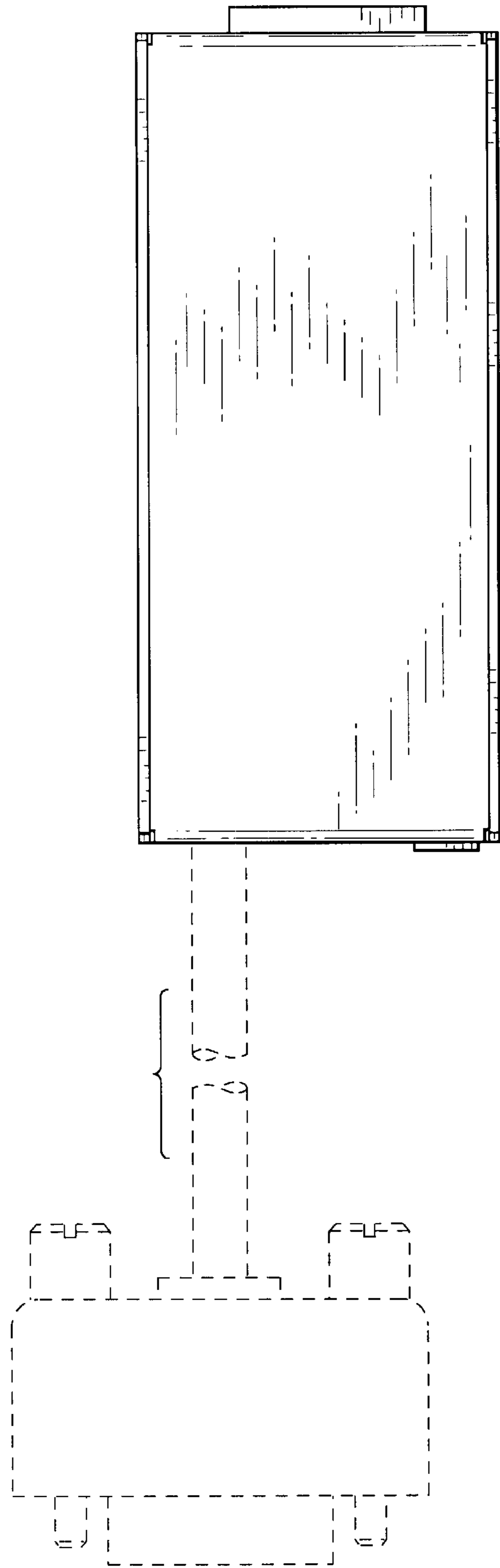


FIG. 6