



US00D478558S

(12) **United States Design Patent**
Sparks

(10) **Patent No.:** **US D478,558 S**

(45) **Date of Patent:** **** Aug. 19, 2003**

(54) **PROTECTIVE ENCLOSURE FOR A SECURITY SWITCH**

(76) **Inventor:** **Carey N. Sparks**, PMB 292, 478 E.,
Altamonte Springs, FL (US)
32701-4622

(**) **Term:** **14 Years**

(21) **Appl. No.:** **29/171,125**

(22) **Filed:** **Nov. 18, 2002**

(51) **LOC (7) Cl.** **13-03**

(52) **U.S. Cl.** **D13/184**

(58) **Field of Search** D13/152, 153,
D13/158, 184; 174/48, 50, 53, 54, 58, 65 R,
66, 67; 220/3.2, 3.3, 3.6, 3.8, 3.92, 4.02;
312/223.1, 324, 326; 361/326, 643; 358/134,
135; 439/367, 535, 536, 653

(56) **References Cited**

U.S. PATENT DOCUMENTS

4,295,575 A * 10/1981 Flachbarth 220/3.92

5,272,279 A * 12/1993 Filshie 174/50
6,179,144 B1 * 1/2001 Abroy et al. 220/3.8
D443,592 S * 6/2001 Frattini D13/152
D448,350 S * 9/2001 Bentz et al. D13/152

* cited by examiner

Primary Examiner—Ted Shooman

Assistant Examiner—Selina Sikder

(74) *Attorney, Agent, or Firm*—William M. Hobby, III

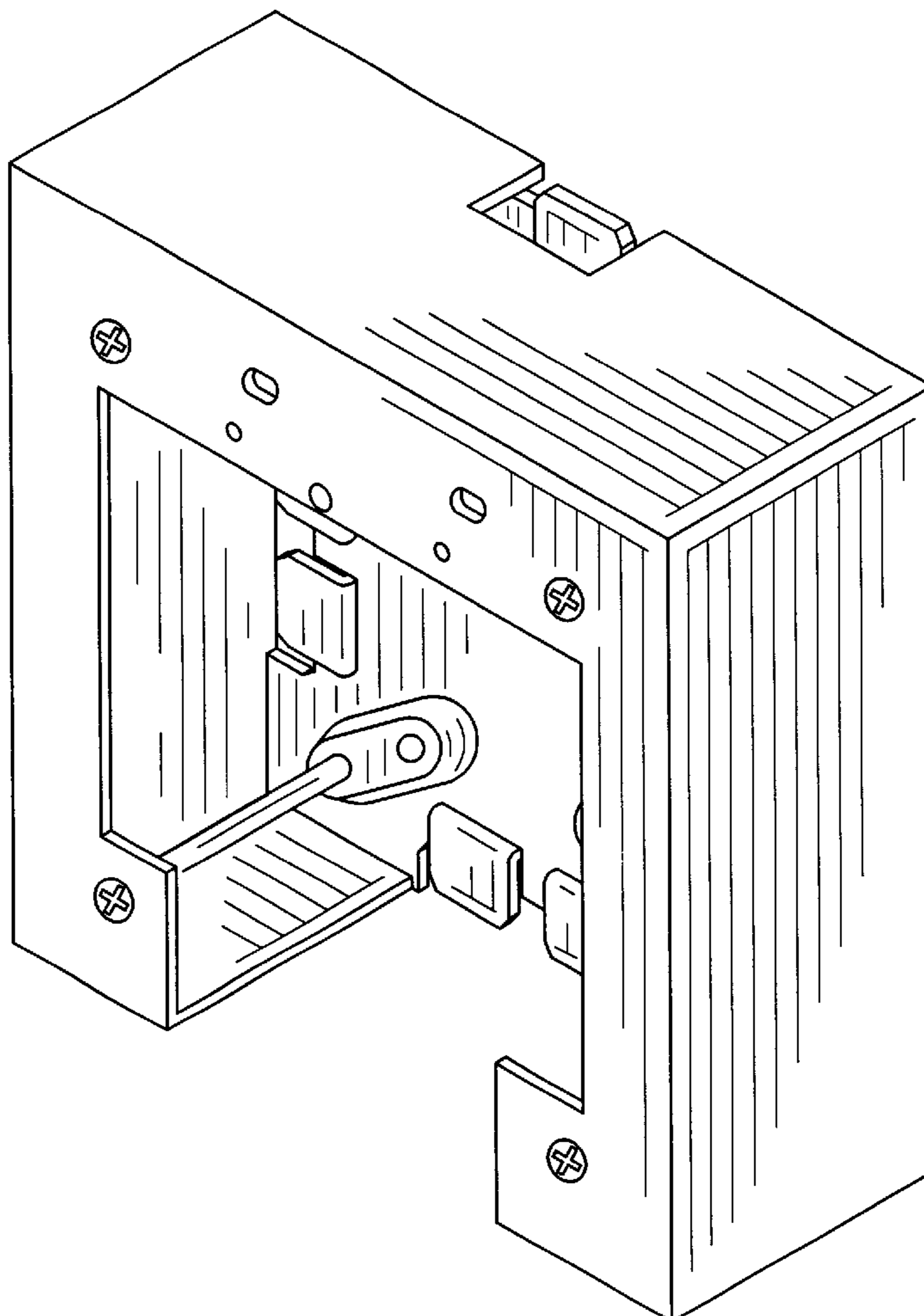
(57) **CLAIM**

The ornamental design for a protective enclosure for a security switch, as shown and described.

DESCRIPTION

FIG. 1 is a top, front and right side perspective view of my new protective enclosure for a security switch;
FIG. 2 is a top plan view;
FIG. 3 is a bottom plan view;
FIG. 4 is a front elevation;
FIG. 5 is a rear elevation; and,
FIG. 6 is a left side elevation.

1 Claim, 2 Drawing Sheets



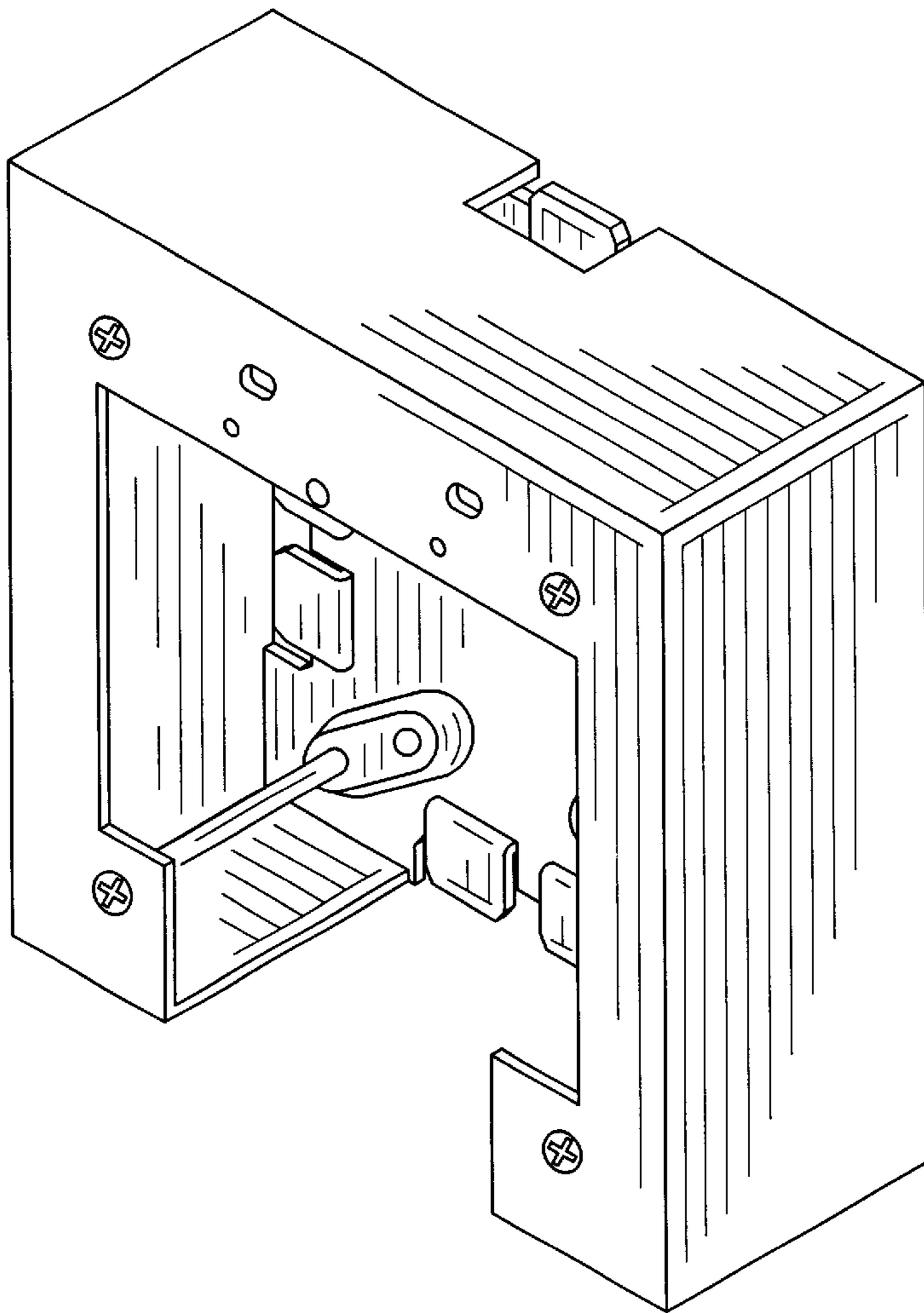


FIG. 1

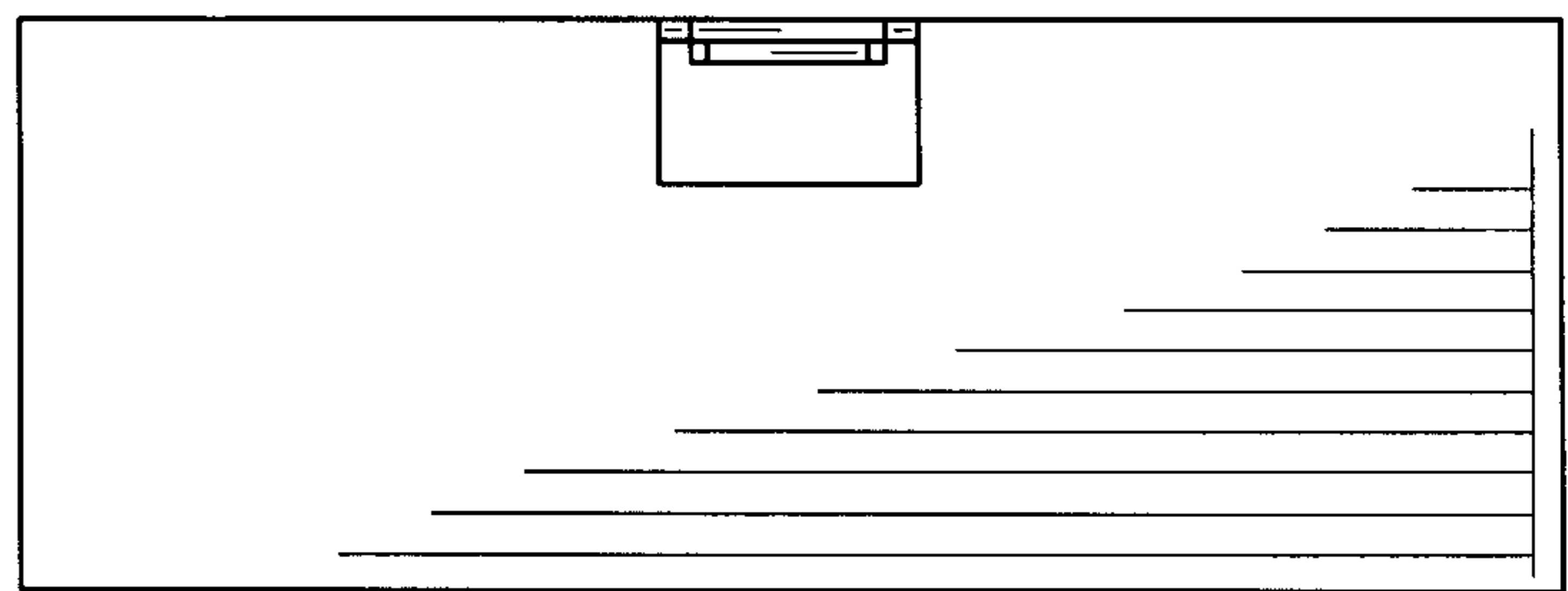


FIG. 2

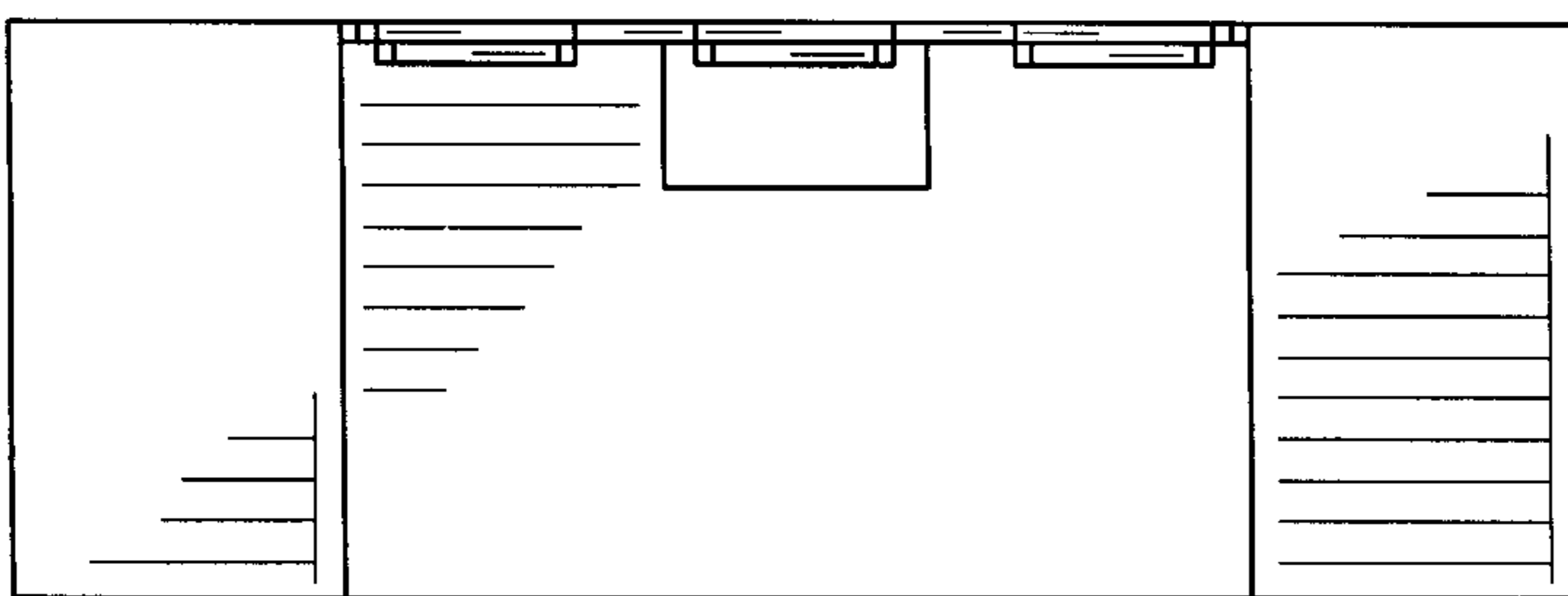


FIG. 3

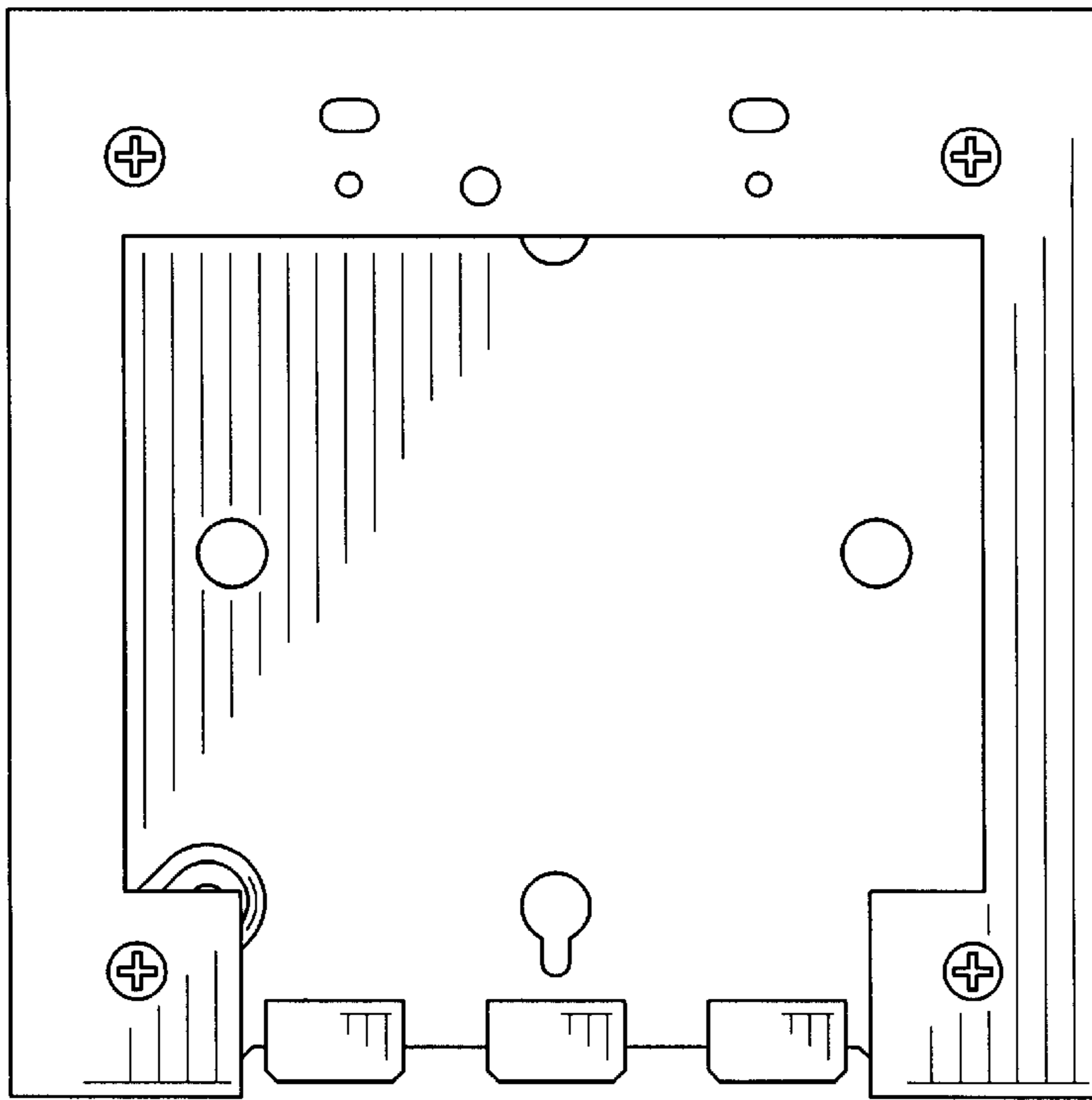


FIG. 4

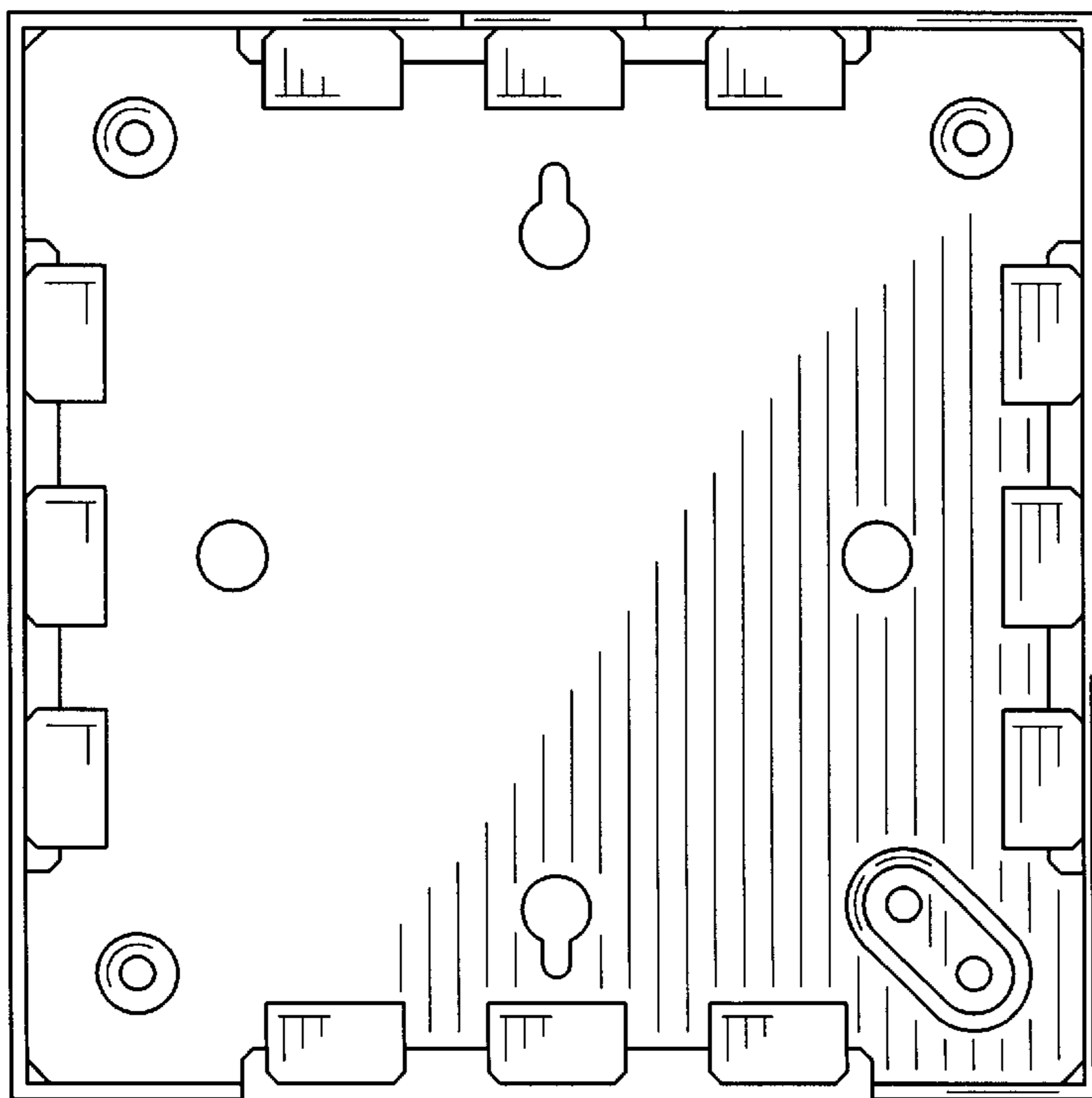


FIG. 5

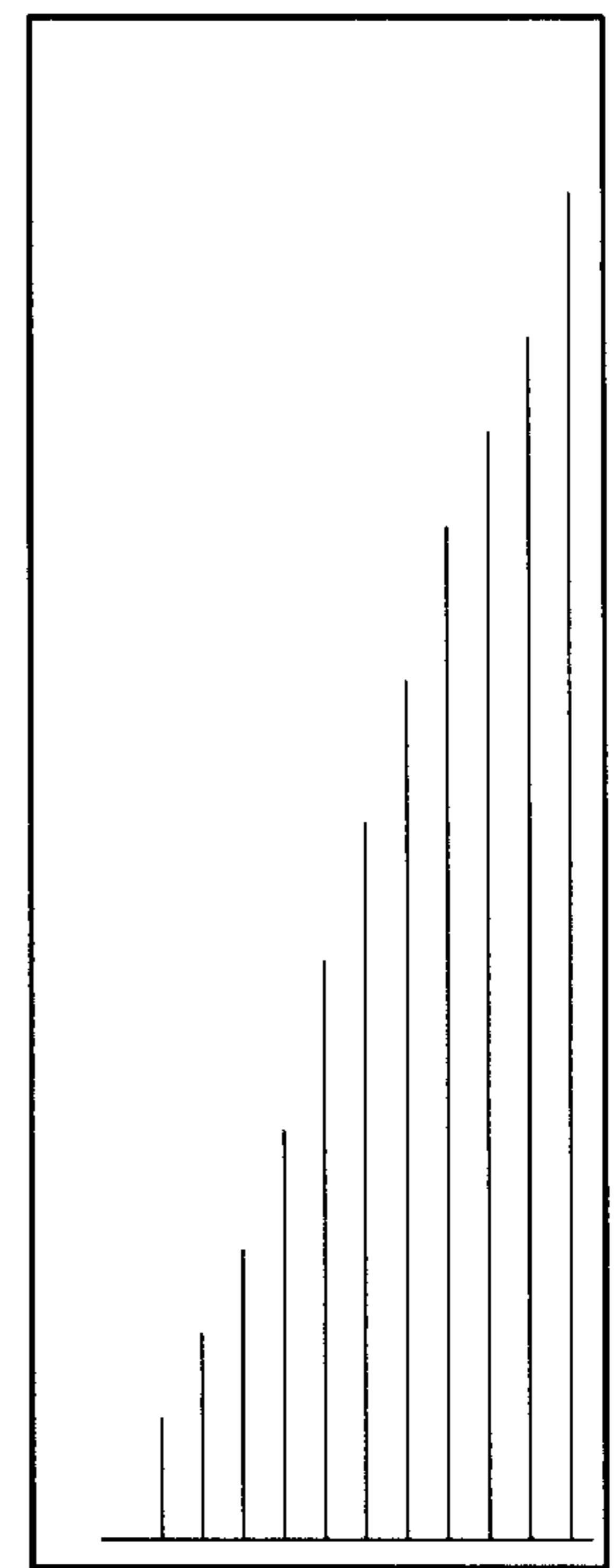


FIG. 6