



US00D478556S

(12) **United States Design Patent**
Abdo

(10) **Patent No.:** **US D478,556 S**

(45) **Date of Patent:** **** Aug. 19, 2003**

(54) **SPEAKER HEAT SINK**

(76) **Inventor:** **Nasser Abo Abdo**, 19232 Parker Cir.,
Villa Park, CA (US) 92861

(**) **Term:** **14 Years**

(21) **Appl. No.:** **29/153,673**

(22) **Filed:** **Jan. 10, 2002**

(51) **LOC (7) Cl.** **13-03**

(52) **U.S. Cl.** **D13/179**

(58) **Field of Search** D8/399; D13/179;
165/80.3, 104.33, 121, 122, 146, 185; 174/16.3;
257/706, 707, 712, 718, 719, 720, 721,
722, 670, 675, 676; 361/695, 697, 699,
702, 704, 709, 514

(56) **References Cited**

U.S. PATENT DOCUMENTS

3,716,098 A *	2/1973	Dotto	165/80.3
4,396,935 A *	8/1983	Schuck	257/706
5,543,663 A *	8/1996	Takubo	257/720
5,789,813 A *	8/1998	Kirkland et al.	257/712
D404,016 S *	1/1999	Ishii	D13/182
D405,428 S *	2/1999	Ishii	D13/182

D410,438 S *	6/1999	Ishii	D13/182
6,125,924 A *	10/2000	Lin	165/122
6,304,446 B1 *	10/2001	Hsieh	361/697
6,330,905 B1 *	12/2001	Lin et al.	165/80.3

* cited by examiner

Primary Examiner—Ted Shooman

Assistant Examiner—Selina Sikder

(74) *Attorney, Agent, or Firm*—Irving Keschner

(57) **CLAIM**

The ornamental design for a speaker heat sink, as shown.

DESCRIPTION

FIG. 1 is a perspective view of the ornamental design of the present invention;

FIG. 2 is a top view of the ornamental design shown in FIG. 1;

FIG. 3 is a bottom view of the ornamental design shown in FIG. 1;

FIG. 4 is a first elevation view of the ornamental design shown in FIG. 1; and,

FIG. 5 is a second elevation view of the ornamental design shown in FIG. 1.

1 Claim, 2 Drawing Sheets

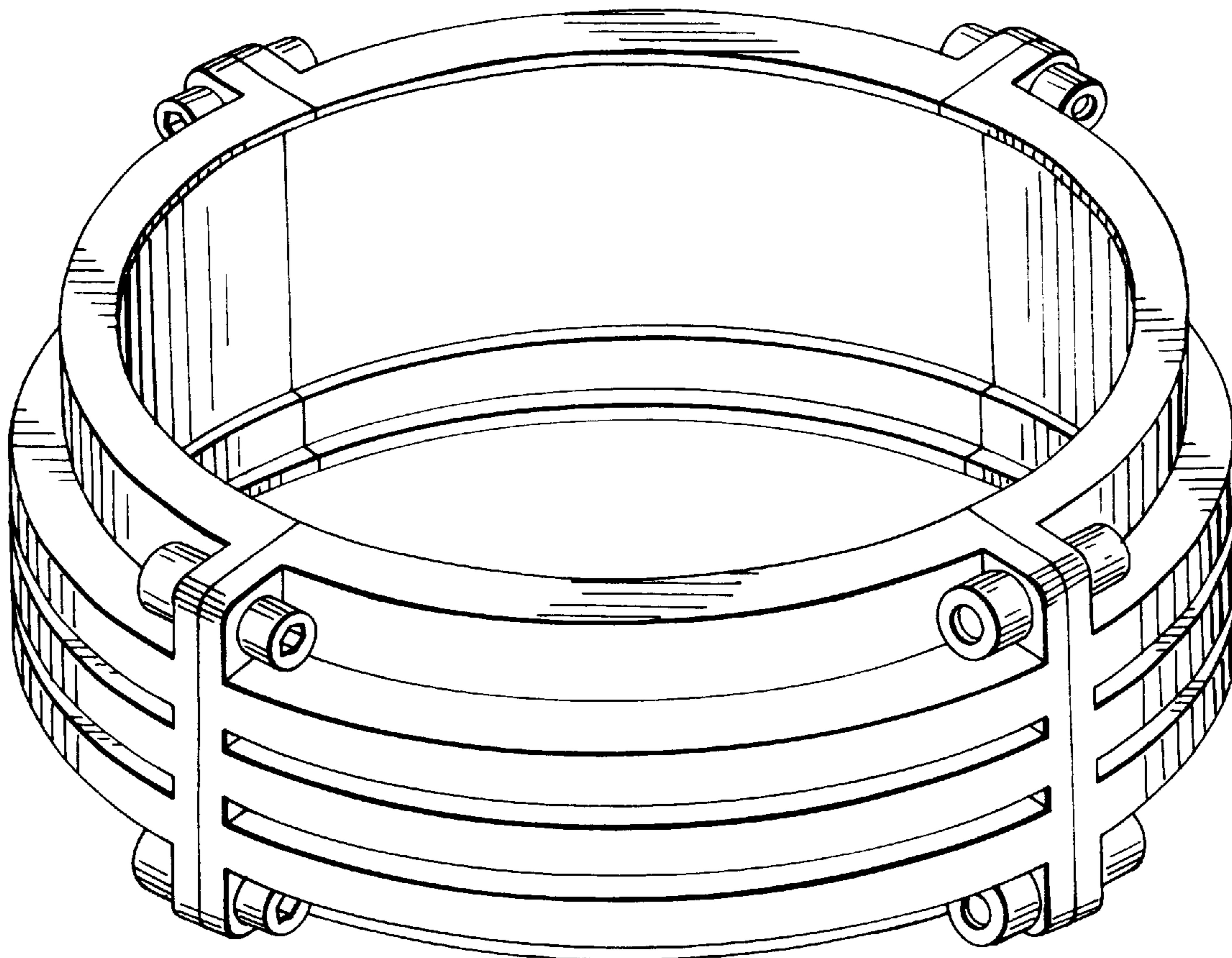


FIG. 1

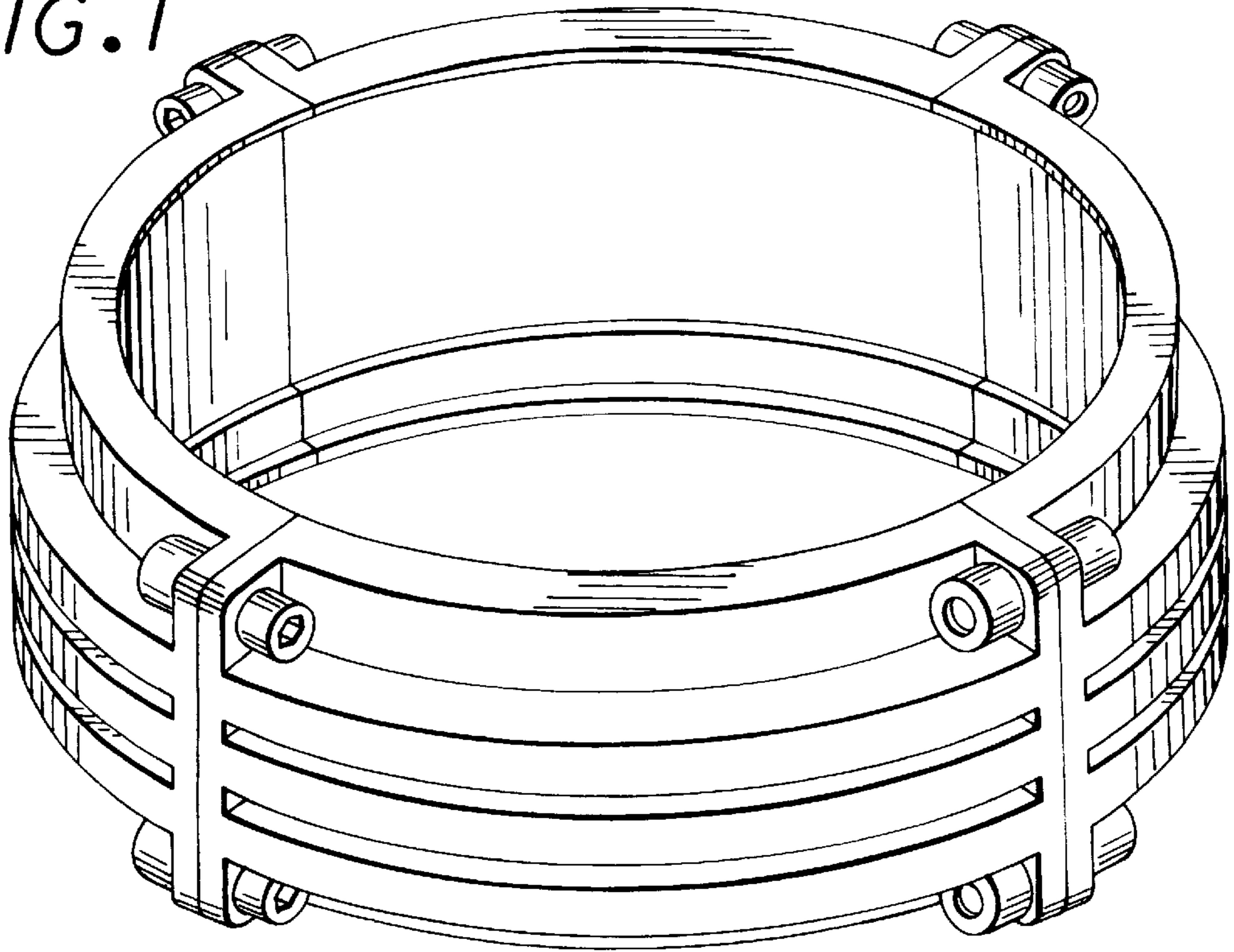


FIG. 2

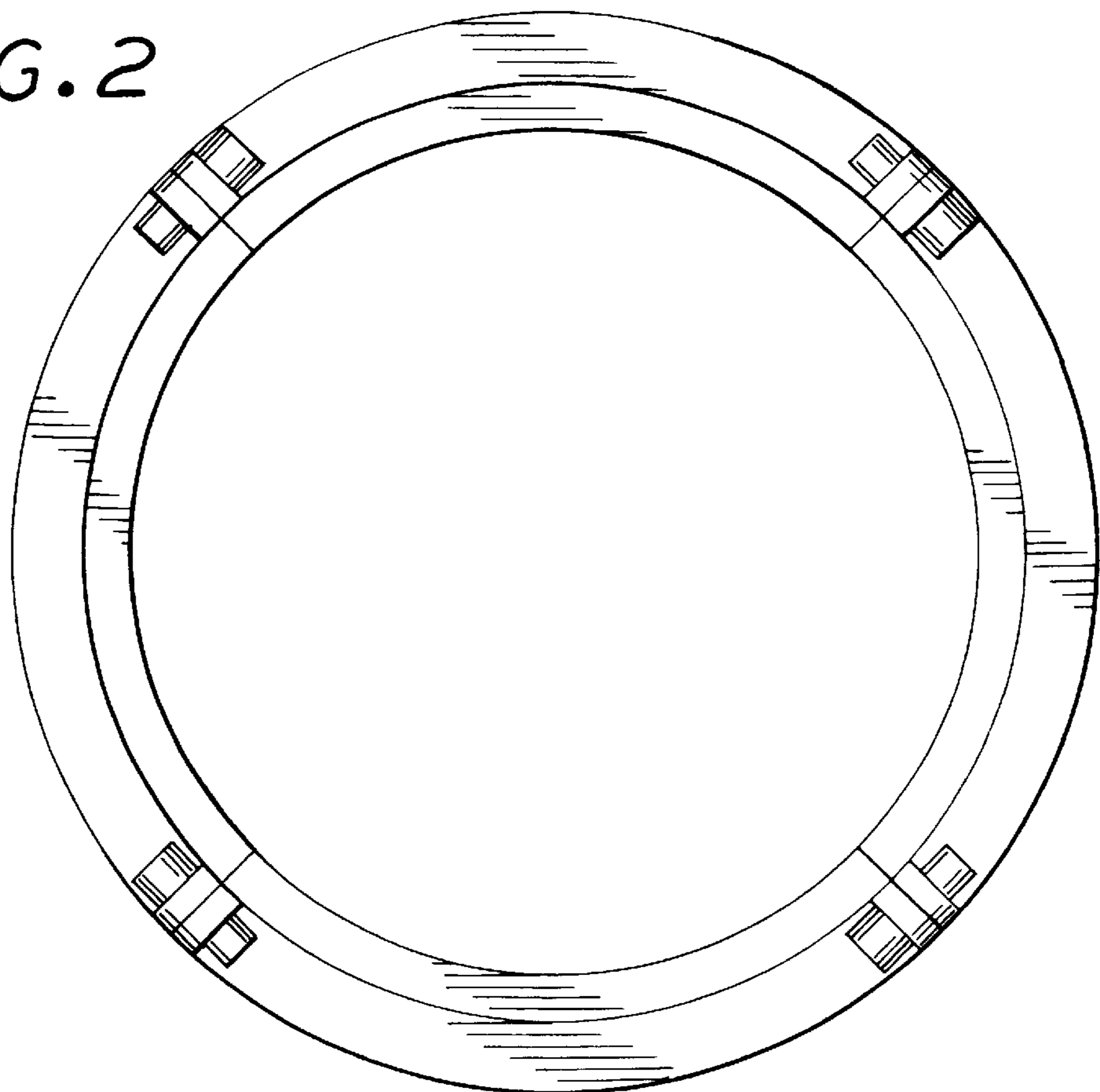


FIG. 3

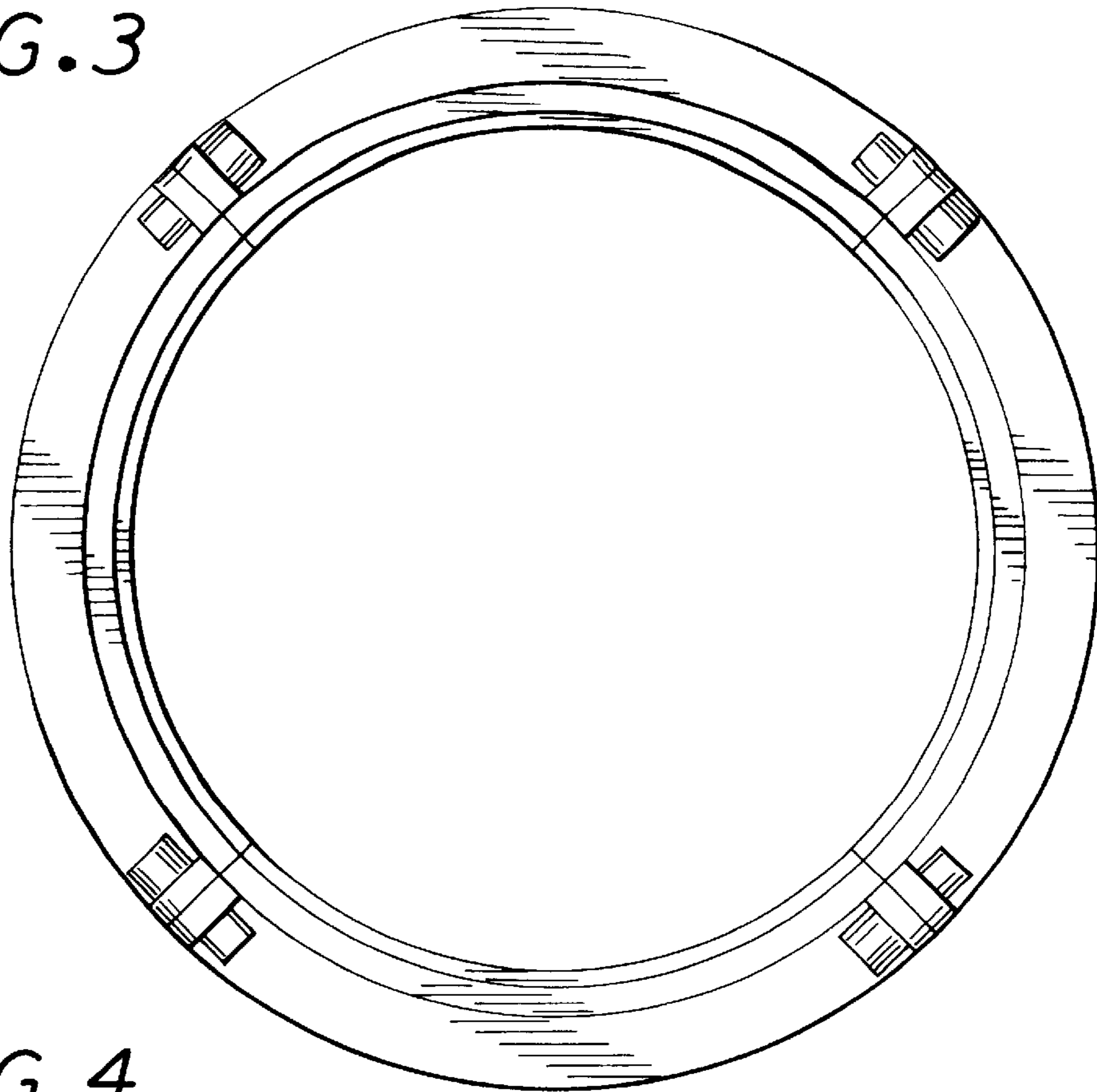


FIG. 4

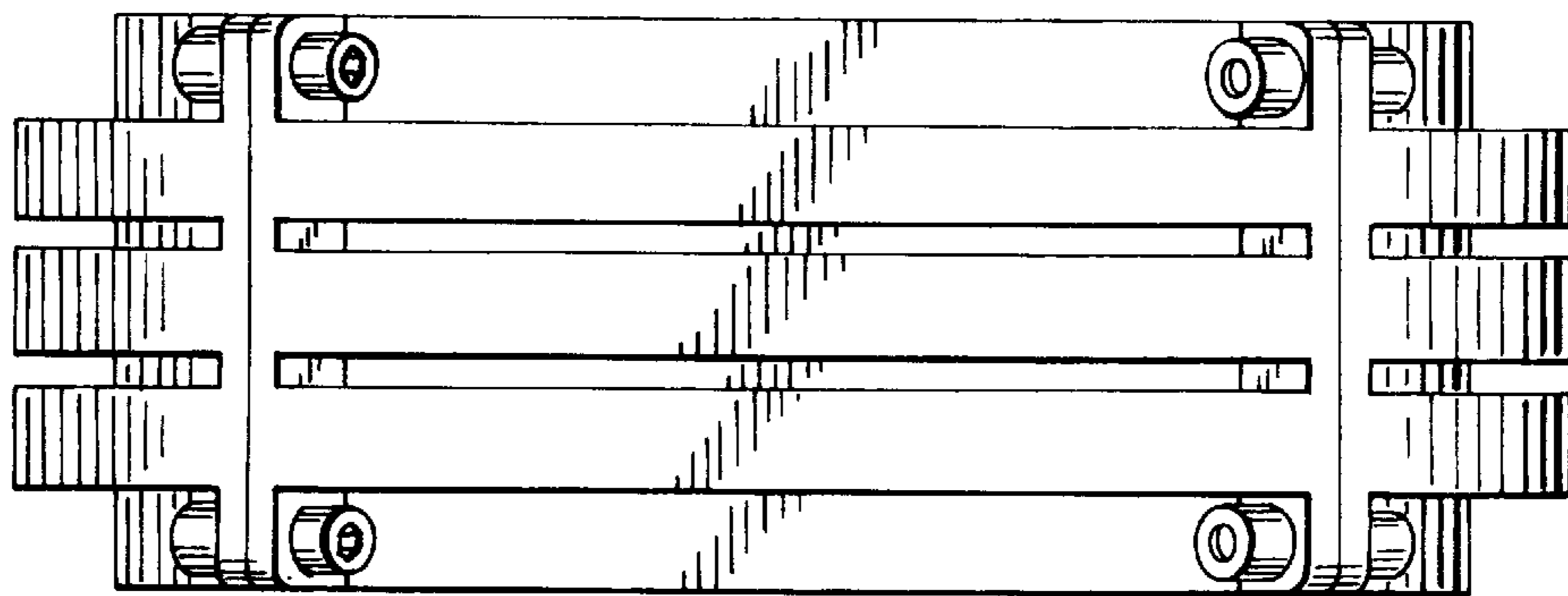


FIG. 5

