



US00D478555S

(12) **United States Design Patent**
Tomasino

(10) **Patent No.:** **US D478,555 S**

(45) **Date of Patent:** **** Aug. 19, 2003**

(54) **FLAT FUSE HOLDER BODY COMPONENT**

(75) Inventor: **René Tomasino**, Poplar Bluff, MO (US)

(73) Assignee: **Swenco Products, Inc.**, Poplar Bluff, MO (US)

(**) Term: **14 Years**

(21) Appl. No.: **29/160,848**

(22) Filed: **May 20, 2002**

(51) **LOC (7) Cl.** **13-03**

(52) **U.S. Cl.** **D13/178**

(58) **Field of Search** D13/133, 151,
D13/161, 178; 174/52.1; 337/34, 181, 186-189,
194-196, 205, 213, 226, 262, 263, 266;
361/626, 642, 646; 439/620, 621, 622,
830

(56) **References Cited**

U.S. PATENT DOCUMENTS

D236,125 S	*	7/1975	Wiebe	D13/161
4,761,148 A	*	8/1988	Sappington	439/621
4,880,398 A	*	11/1989	Hsueh	439/622
D326,845 S	*	6/1992	Katz et al.	D13/160
D336,463 S	*	6/1993	Nimpoeno et al.	D13/161
D381,010 S	*	7/1997	Ansley	D13/178

D390,831 S	*	2/1998	Liang	D13/178
5,847,319 A	*	12/1998	Harbecke et al.	174/66
D406,569 S	*	3/1999	Awbrey et al.	D13/178

* cited by examiner

Primary Examiner—Ted Shooman

Assistant Examiner—Selina Sikder

(74) *Attorney, Agent, or Firm*—Jim Zegeer

(57) **CLAIM**

The ornamental design for a flat fuse holder body component, as shown and described.

DESCRIPTION

FIG. 1 is an isometric perspective view of a flat fuse holder body component incorporating the invention, FIG. 2 is side elevational view thereof, the opposite side elevational view being identical, FIG. 3 is an end elevational view of a flat fuse holder body component incorporating the invention, FIG. 4 is a top plan view of the flat fuse holder body component incorporating the invention; and, FIG. 5 is a bottom plan view of the flat fuse holder body component.

The portions of the article shown in broken lines form no part of the claimed design.

1 Claim, 2 Drawing Sheets

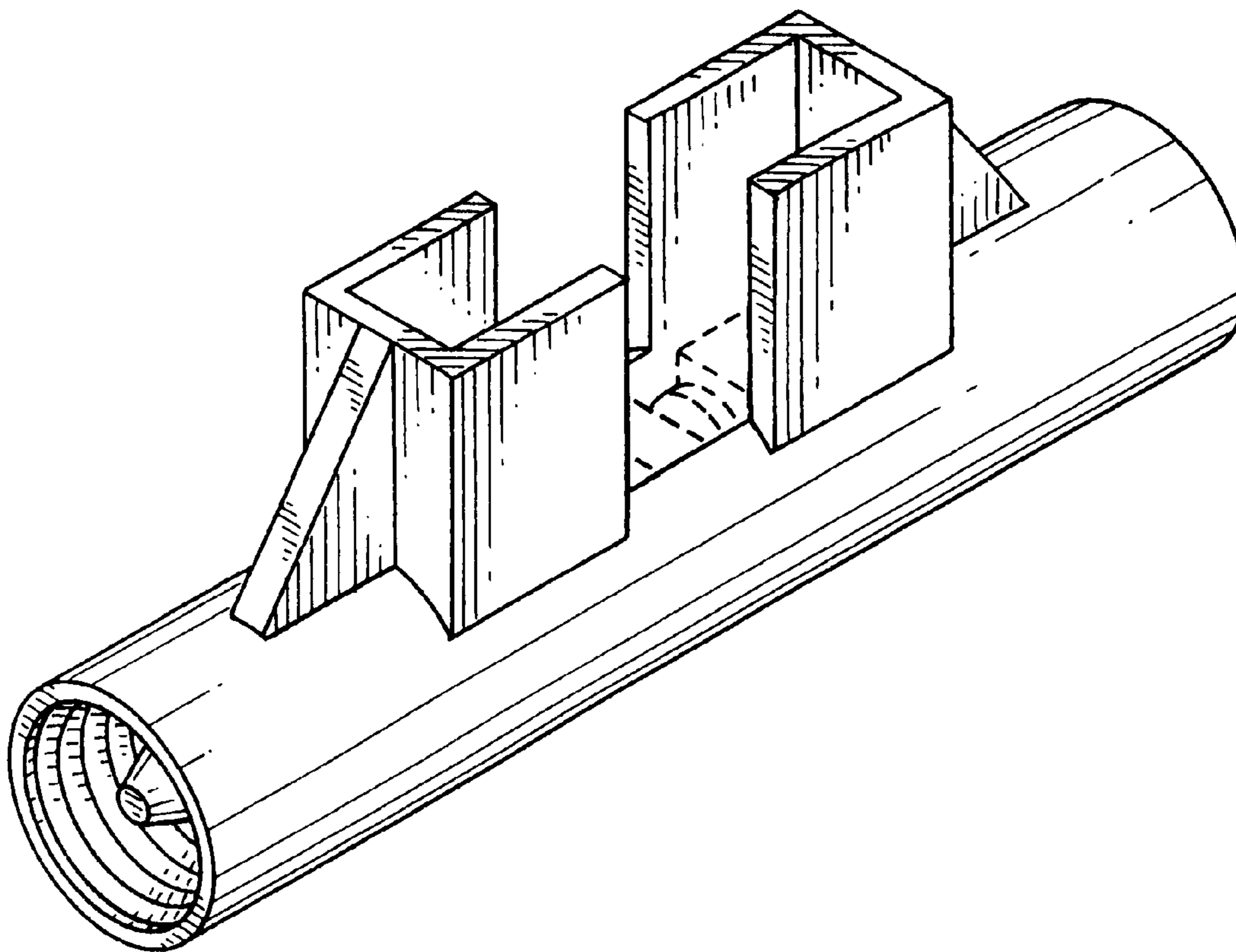


FIG. 1

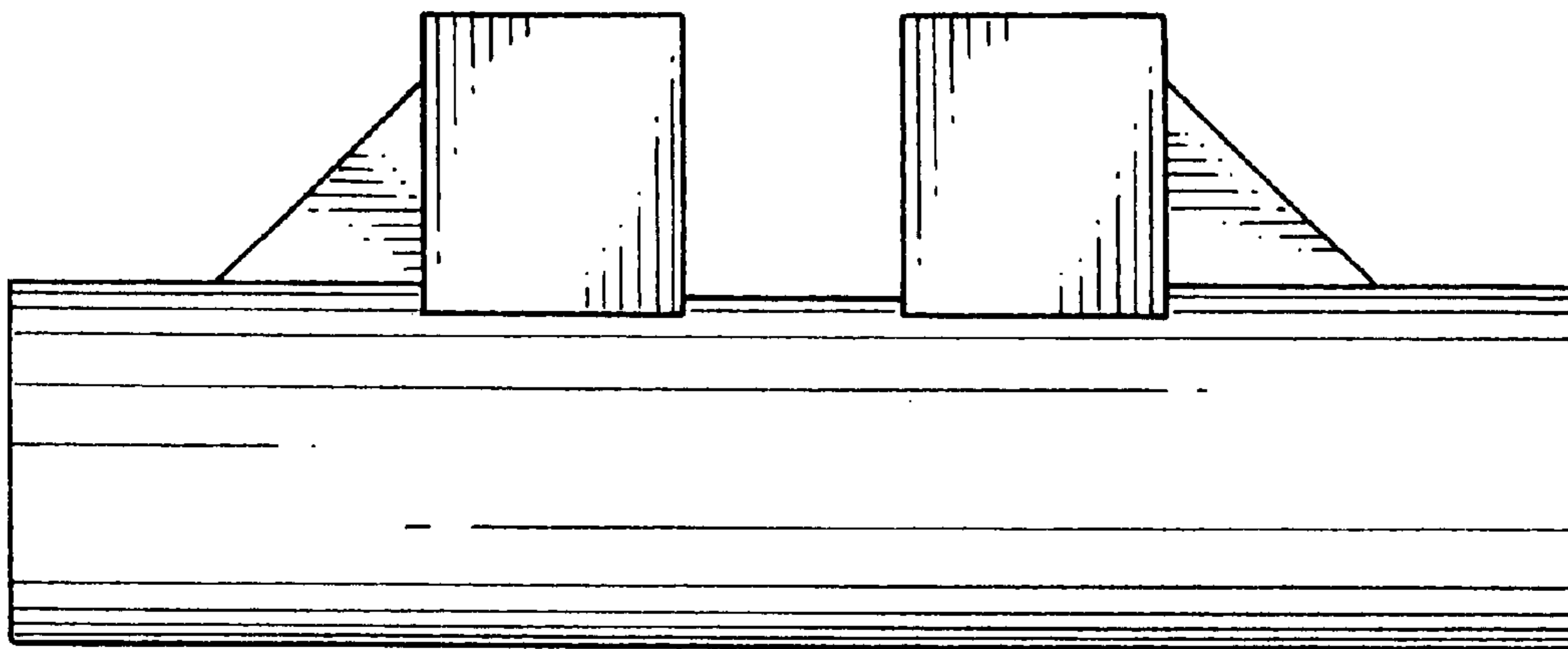
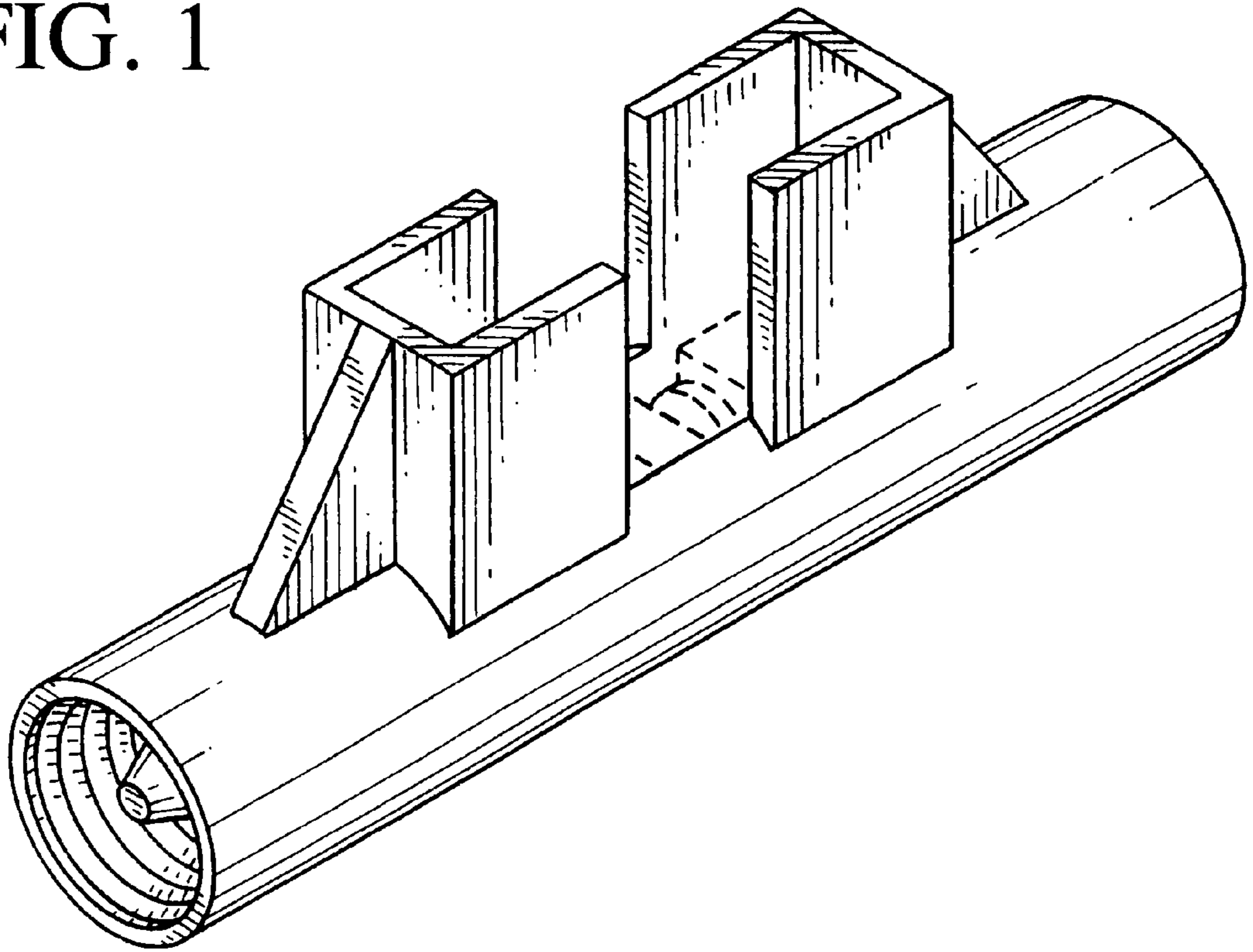


FIG. 2

FIG. 3

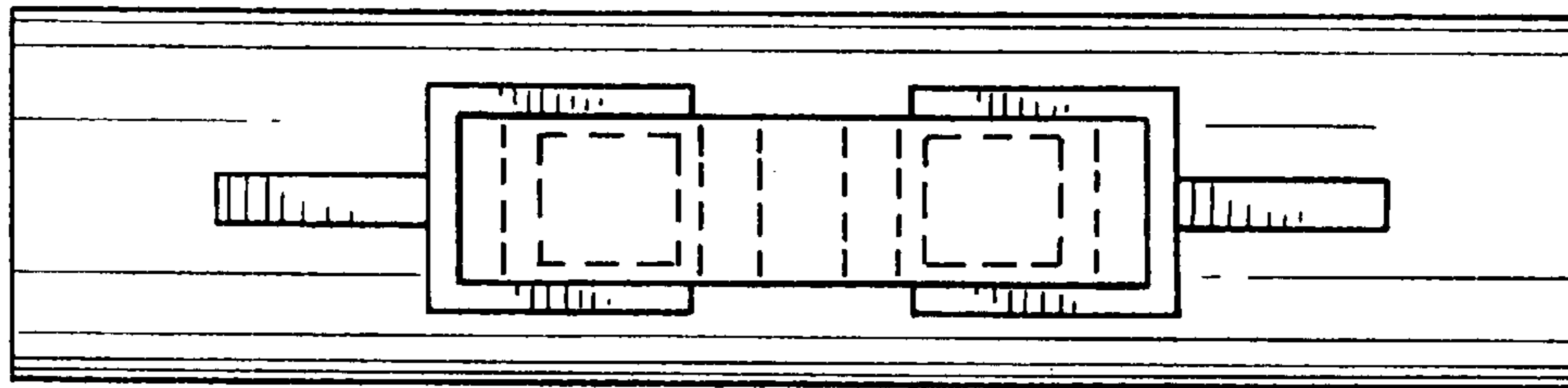
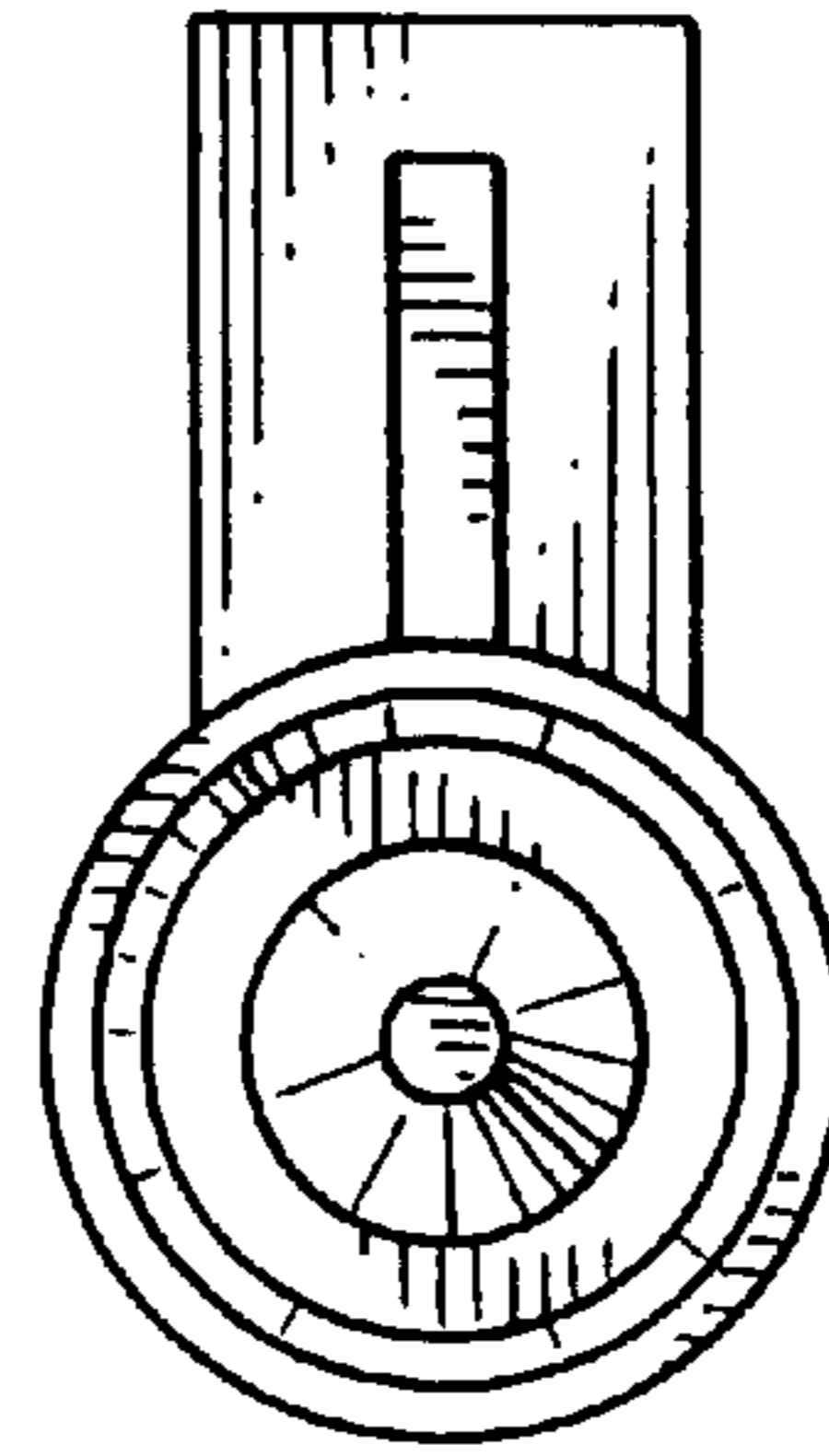


FIG. 4

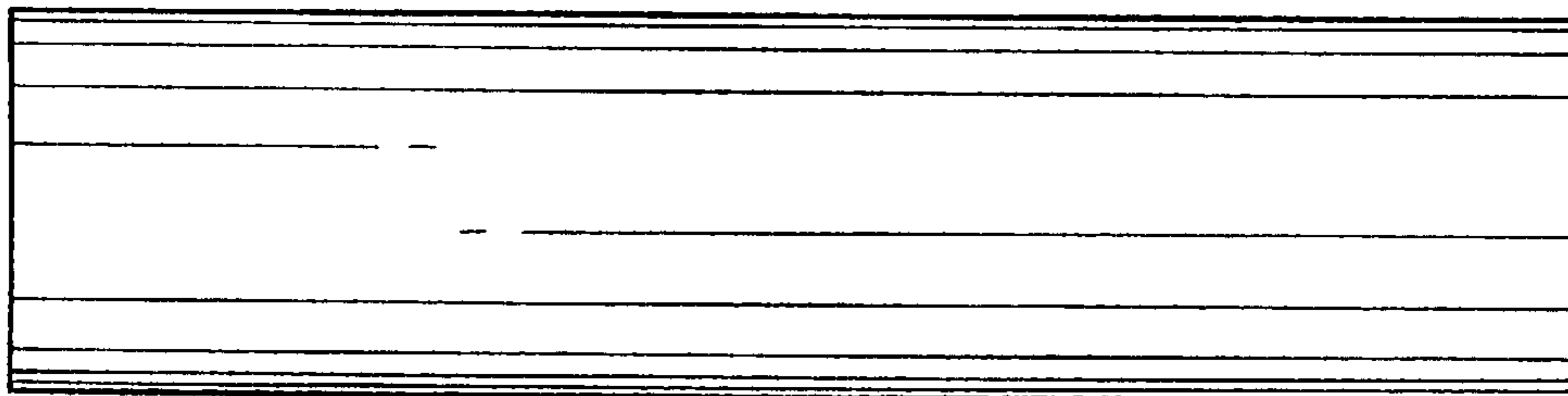


FIG. 5