



US00D478553S

(12) **United States Design Patent**  
**Heggem**

(10) **Patent No.:** **US D478,553 S**

(45) **Date of Patent:** **\*\* Aug. 19, 2003**

(54) **COMBINED ELECTRIC DEVICE BOX AND INSULATION SHELL**

(76) **Inventor:** **Gary P. Heggem**, 1161 Wayzata Blvd., #220, Wayzata, MN (US) 55391

(\*) **Notice:** This patent is subject to a terminal disclaimer.

(\*\*) **Term:** **14 Years**

(21) **Appl. No.:** **29/172,605**

(22) **Filed:** **Dec. 13, 2002**

(51) **LOC (7) Cl.** ..... **13-03**

(52) **U.S. Cl.** ..... **D13/152**

(58) **Field of Search** ..... D8/350, 351, 352, D8/353; D13/139.4, 139.5, 152, 153, 154, 156, 158, 173, 184; 174/48, 50, 53, 54, 58, 65 R, 66, 67; 220/3.2, 3.3, 3.6, 3.8, 33.92, 4.02; 361/643; 439/367, 535, 536, 653

(56) **References Cited**

**U.S. PATENT DOCUMENTS**

3,619,476	A	*	11/1971	Rasmussen	.....	174/58
4,494,815	A	*	1/1985	Brzostek et al.	.....	439/536
4,673,097	A	*	6/1987	Schuldt	.....	220/3.5
4,724,281	A	*	2/1988	Nix et al.	.....	174/53
4,794,207	A	*	12/1988	Norberg et al.	.....	174/46
5,448,011	A	*	9/1995	Laughlin	.....	174/48

(List continued on next page.)

*Primary Examiner*—Robert M. Spear

(57) **CLAIM**

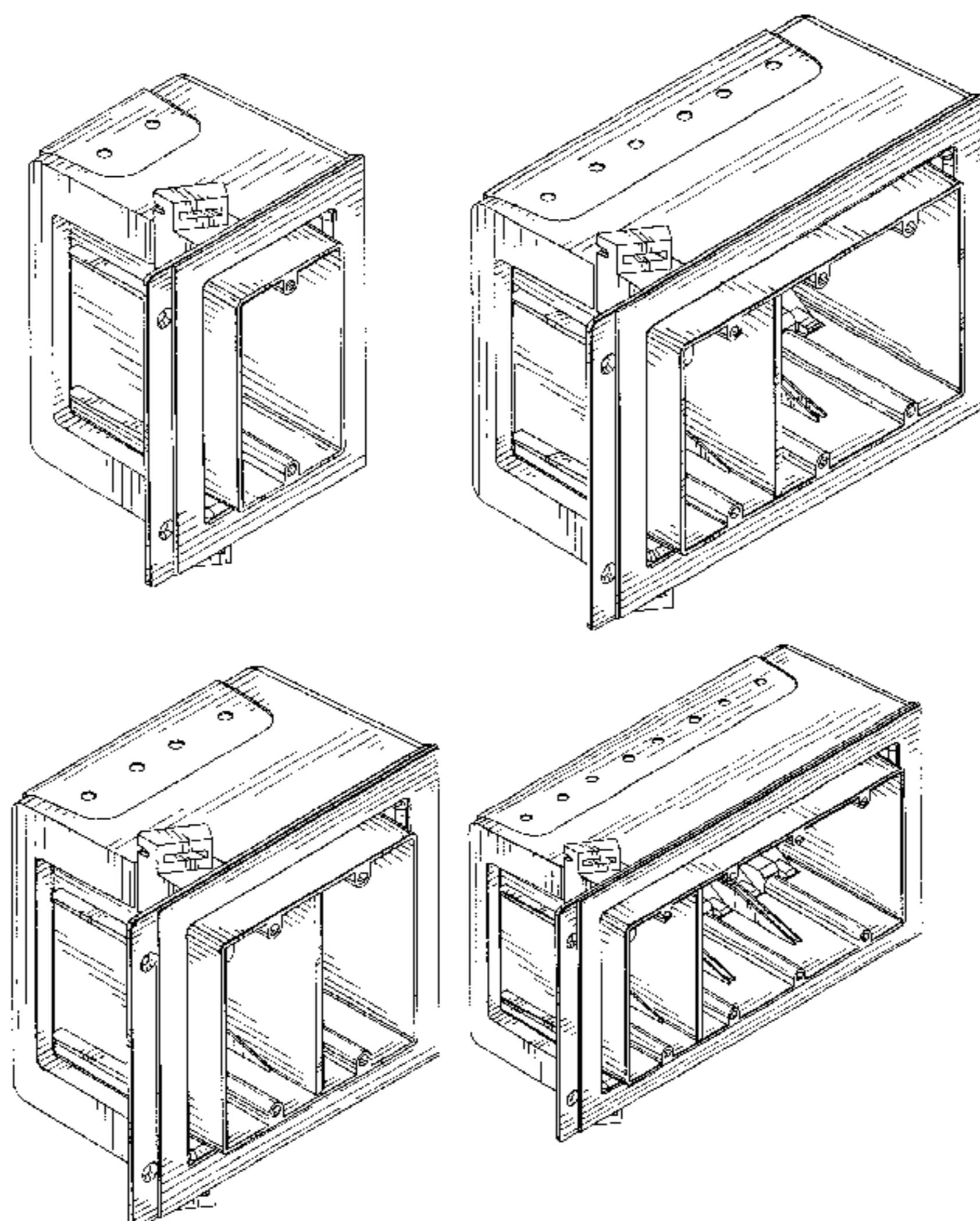
The ornamental design for a combined electric device box and insulation shell, as shown and described.

**DESCRIPTION**

FIG. 1 is a perspective view of a combined electric device box and insulation shell of my new design;

FIG. 2 is a front elevational view thereof;  
 FIG. 3 is a rear elevational view thereof;  
 FIG. 4 is a side elevational of the right side thereof;  
 FIG. 5 is a side elevational view of the left side thereof;  
 FIG. 6 is a top plan view thereof;  
 FIG. 7 is a bottom plan view thereof;  
 FIG. 8 is a sectional view taken along line 8—8 of FIG. 2;  
 FIG. 9 is an exploded perspective view of FIG. 1;  
 FIG. 10 is a perspective view of a first modification of the combined electric device box and insulation shell of FIG. 1;  
 FIG. 11 is a front elevational view of FIG. 10;  
 FIG. 12 is a side elevational view of the right side of FIG. 10;  
 FIG. 13 is a side elevational view of the left side of FIG. 10;  
 FIG. 14 is a top plan view of FIG. 10;  
 FIG. 15 is a bottom plan view of FIG. 10;  
 FIG. 16 is a sectional view taken along line 16—16 of FIG. 11;  
 FIG. 17 is an exploded perspective view of FIG. 10;  
 FIG. 18 is a perspective view of a second modification of the combined electric device box and insulation shell of FIG. 1;  
 FIG. 19 is a front elevational view of FIG. 18;  
 FIG. 20 is a top plan view of FIG. 18;  
 FIG. 21 is a bottom plan view of FIG. 18;  
 FIG. 22 is a side elevational view of the right side of FIG. 18;  
 FIG. 23 is a side elevational view of the left side of FIG. 18;  
 FIG. 24 is a sectional view taken along line 24—24 of FIG. 19;  
 FIG. 25 is an exploded perspective view of FIG. 18;  
 FIG. 26 is a perspective view of a third modification of the combined electric device box and insulation shell of FIG. 1;  
 FIG. 27 is a front elevational view of FIG. 26;  
 FIG. 28 is a top plan view of FIG. 26;  
 FIG. 29 is a bottom plan view of FIG. 26;  
 FIG. 30 is a side elevational view of the right side of FIG. 26;  
 FIG. 31 is a side elevational view of the left side of FIG. 26;  
 FIG. 32 is a sectional view taken along line 32—32 of FIG. 27;  
 FIG. 33 is an exploded perspective view of FIG. 27.

**1 Claim, 14 Drawing Sheets**



# US D478,553 S

Page 2

---

## U.S. PATENT DOCUMENTS

5,478,032 A	*	12/1995	Miller	.....	174/48	6,239,365 B1	*	5/2001	McEvers	.....	174/50
5,594,207 A	*	1/1997	Fabian et al.	.....	174/48	6,303,858 B1	*	10/2001	Bosse, Jr.	.....	174/48
6,188,022 B1	*	2/2001	He	.....	174/58	D467,229 S	*	12/2002	Heggem	.....	D13/152
6,198,045 B1	*	3/2001	Roesch	.....	174/58						

\* cited by examiner

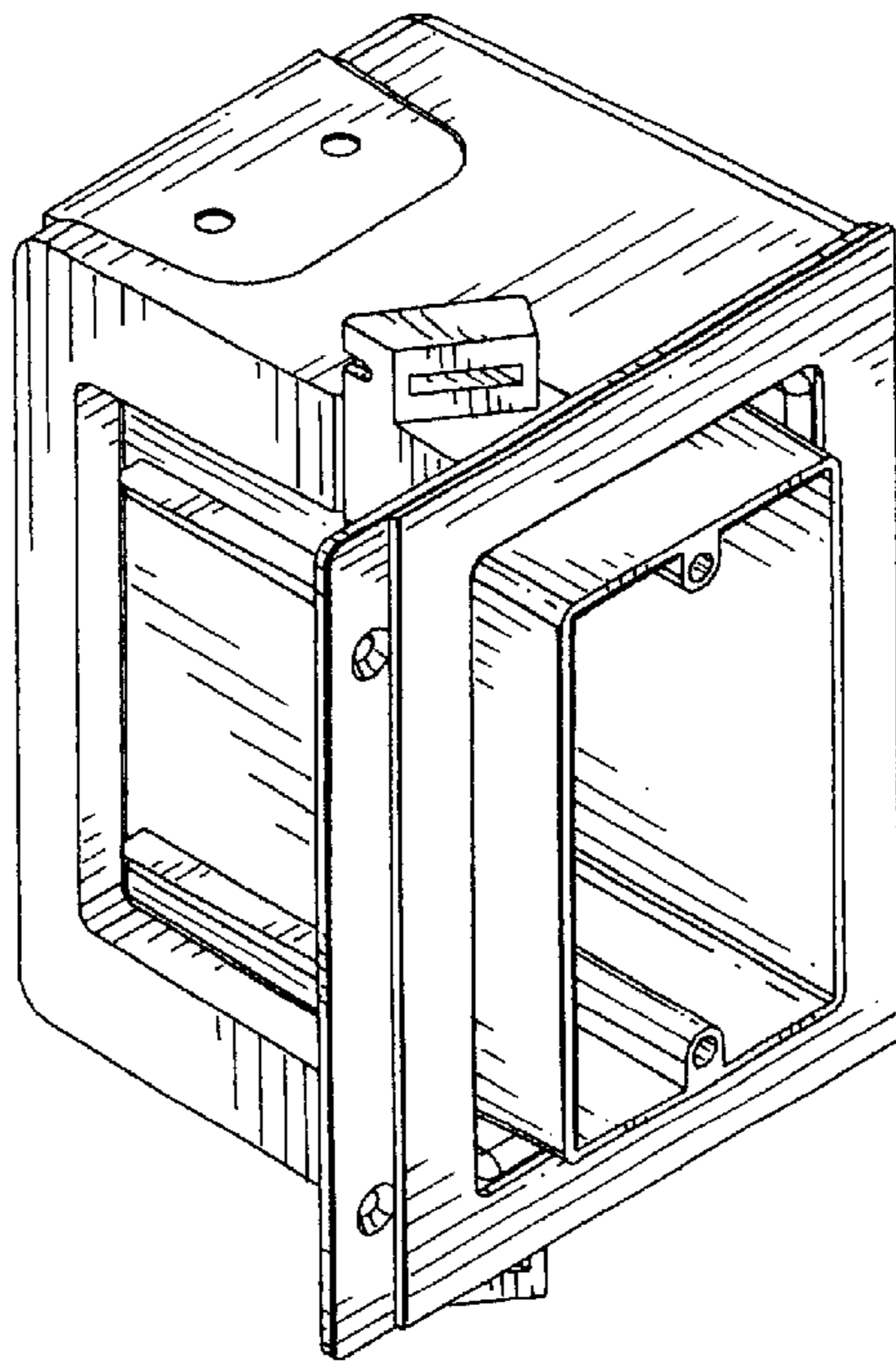


FIG. 1

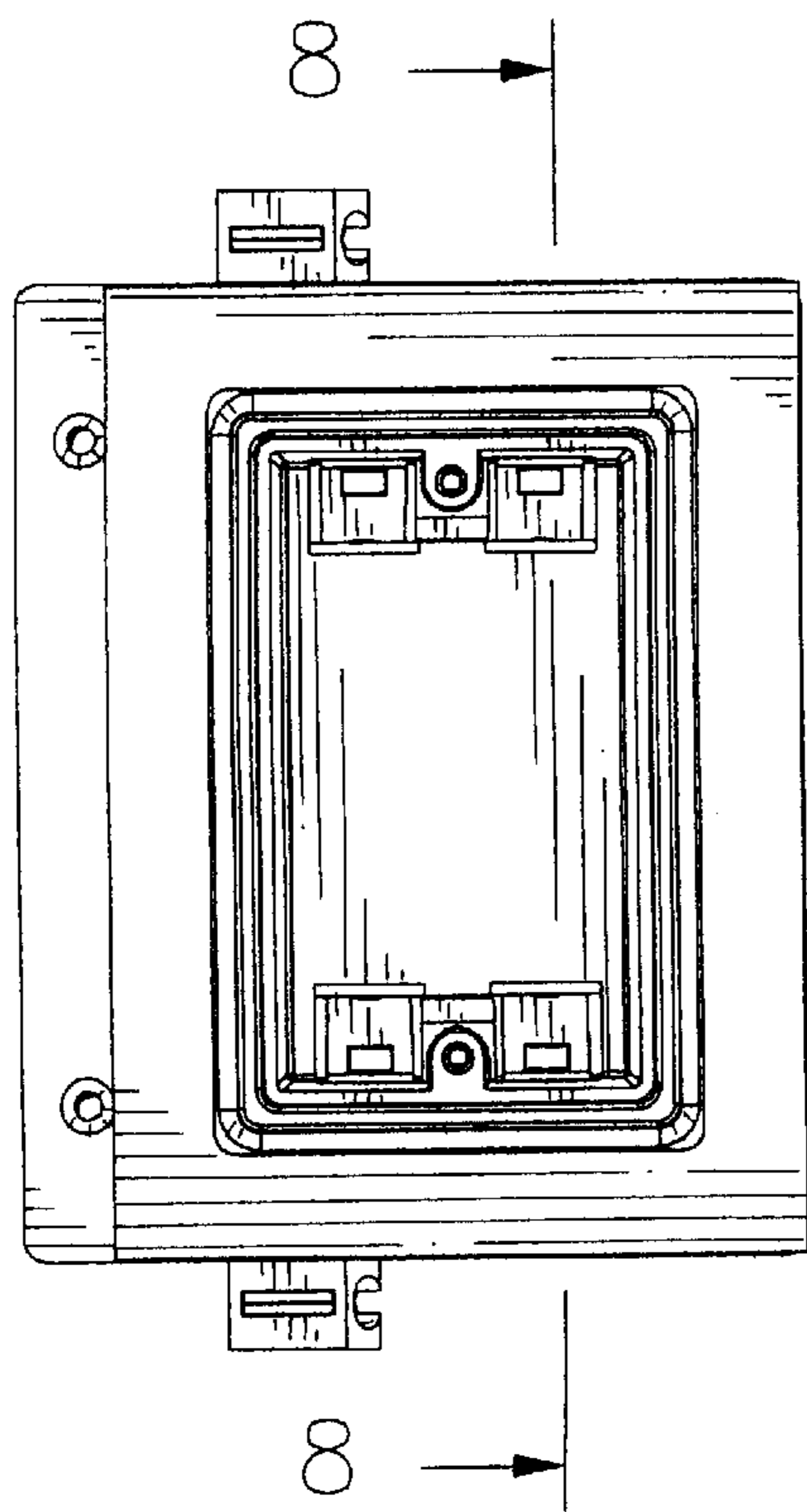


FIG. 2

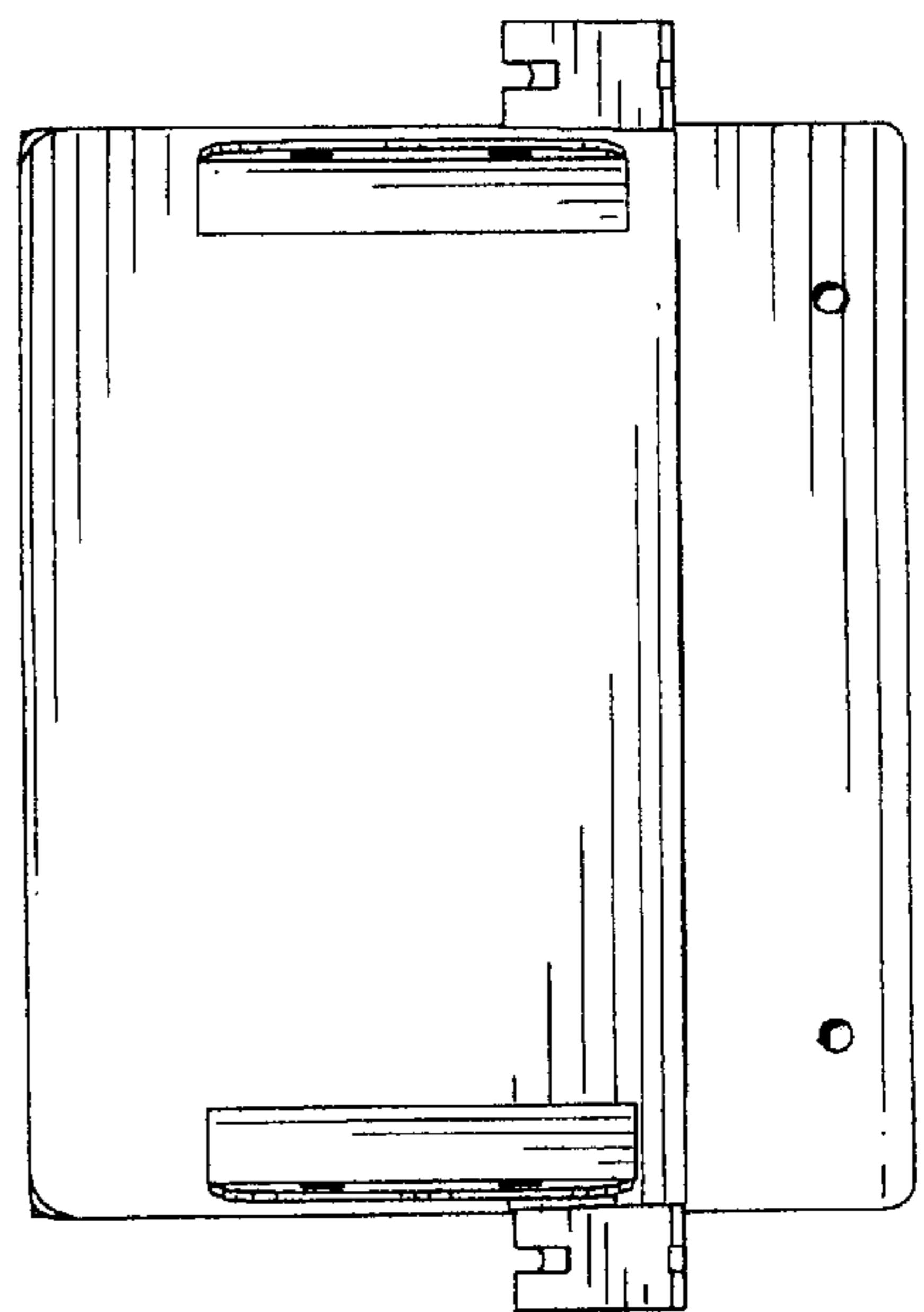


FIG. 3

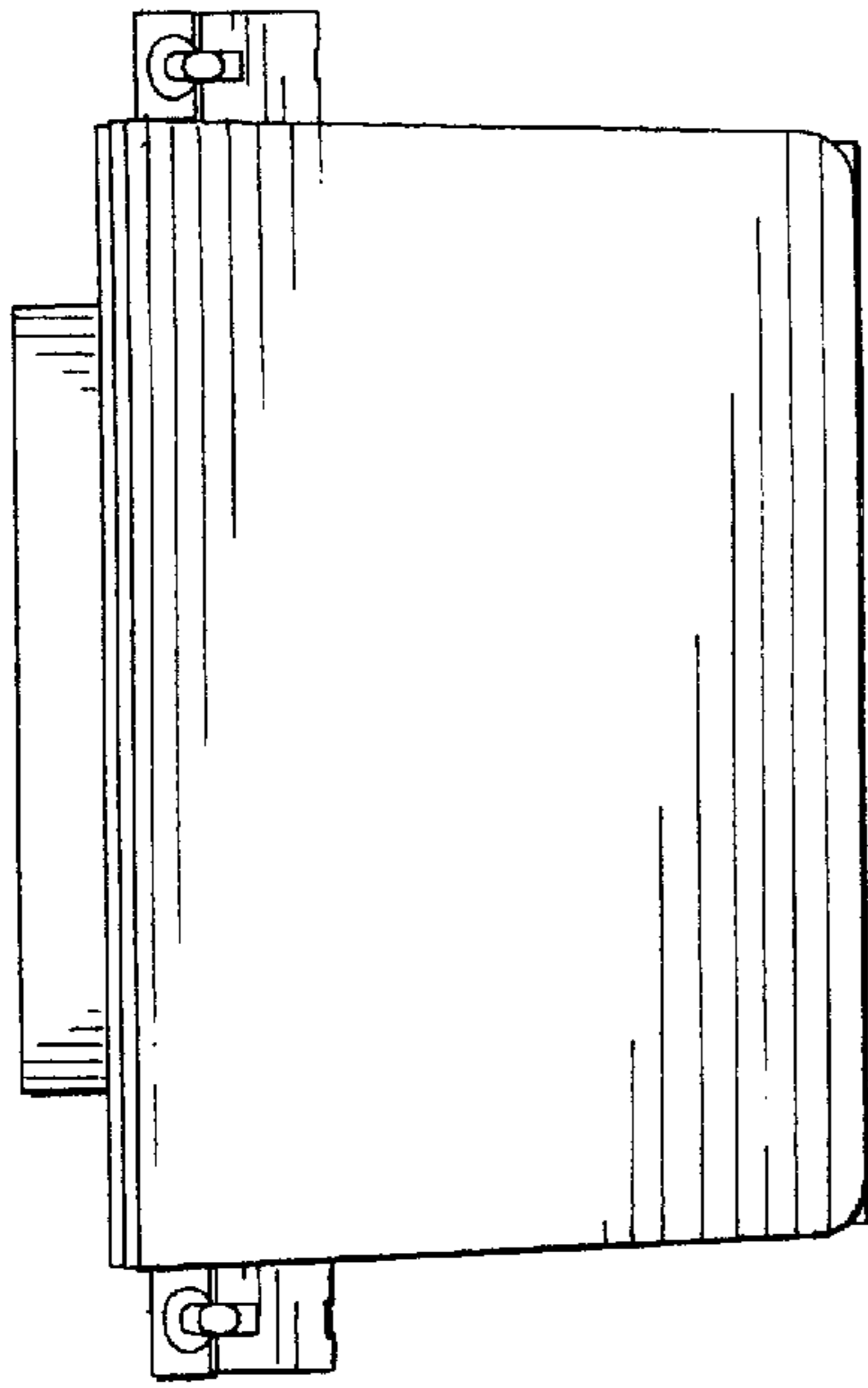


FIG. 4

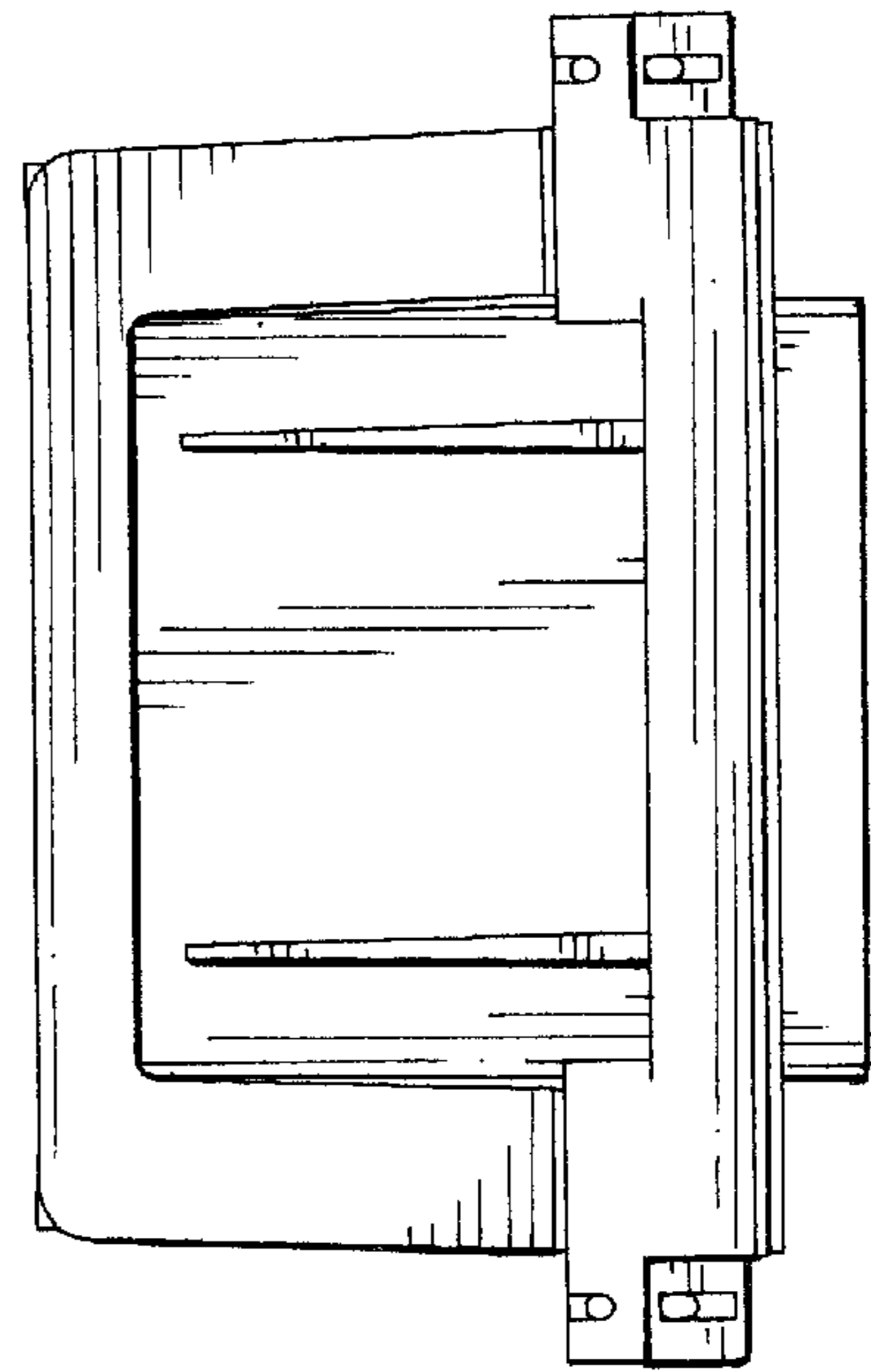


FIG. 5

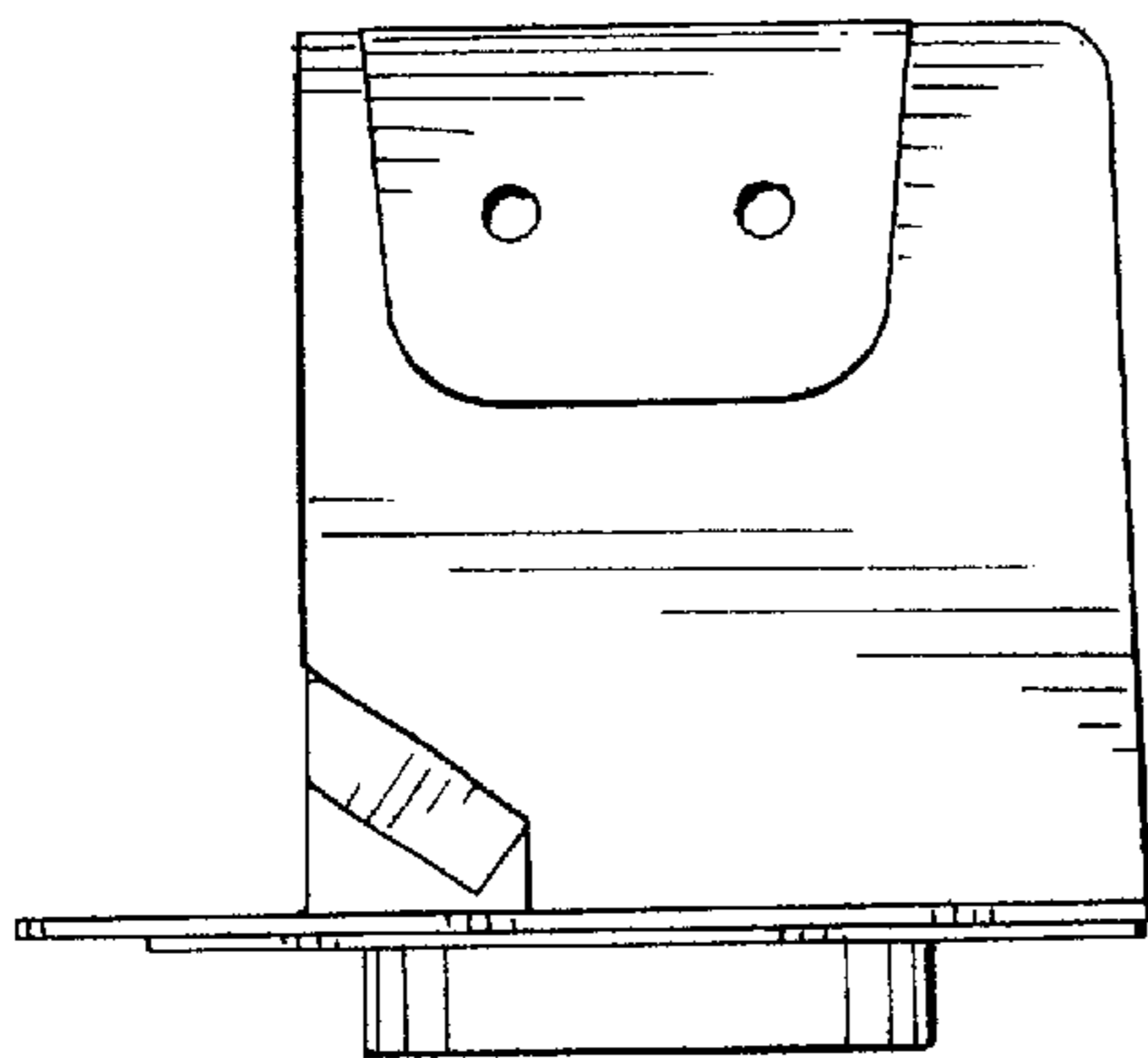


FIG. 6

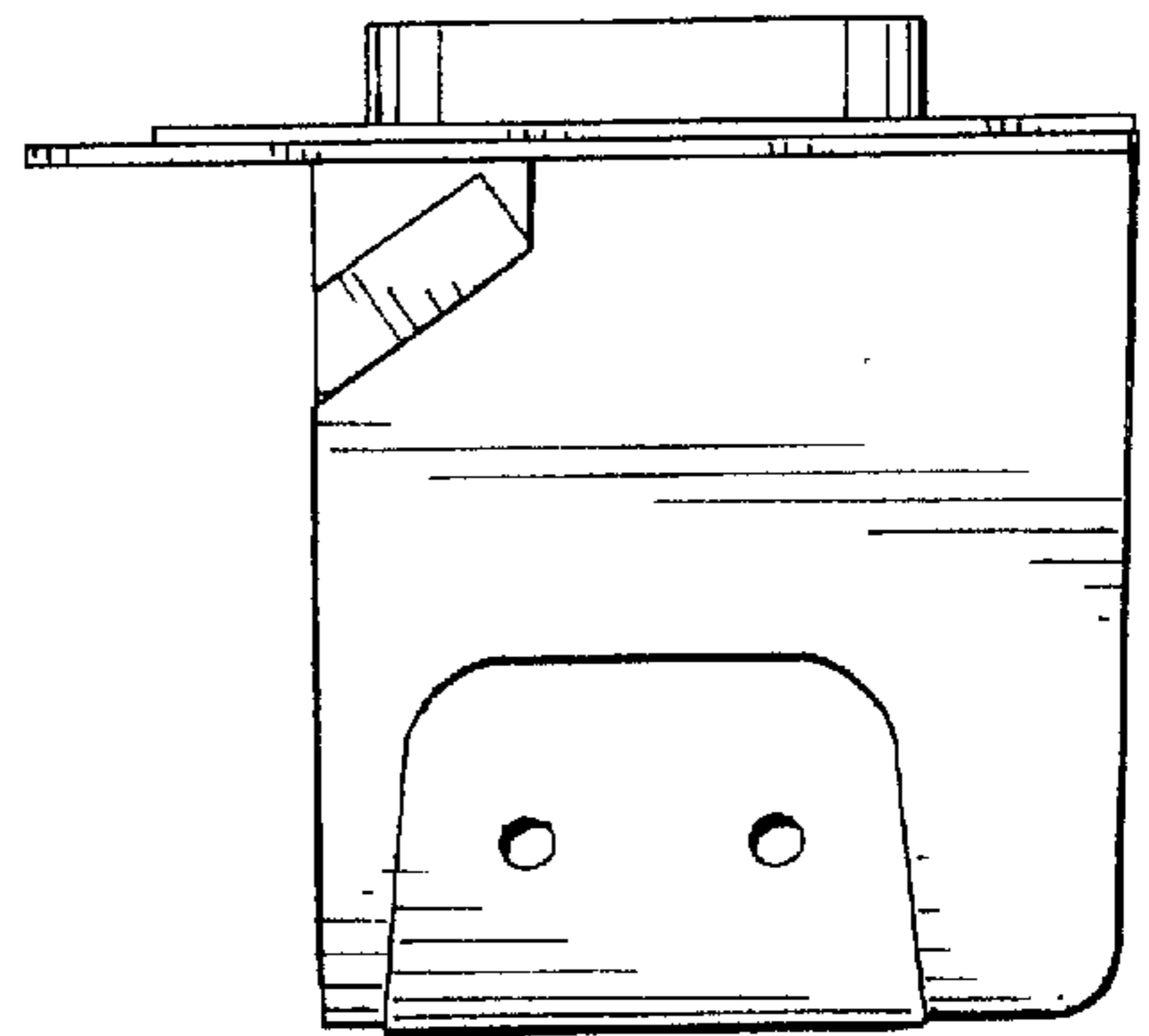


FIG. 7



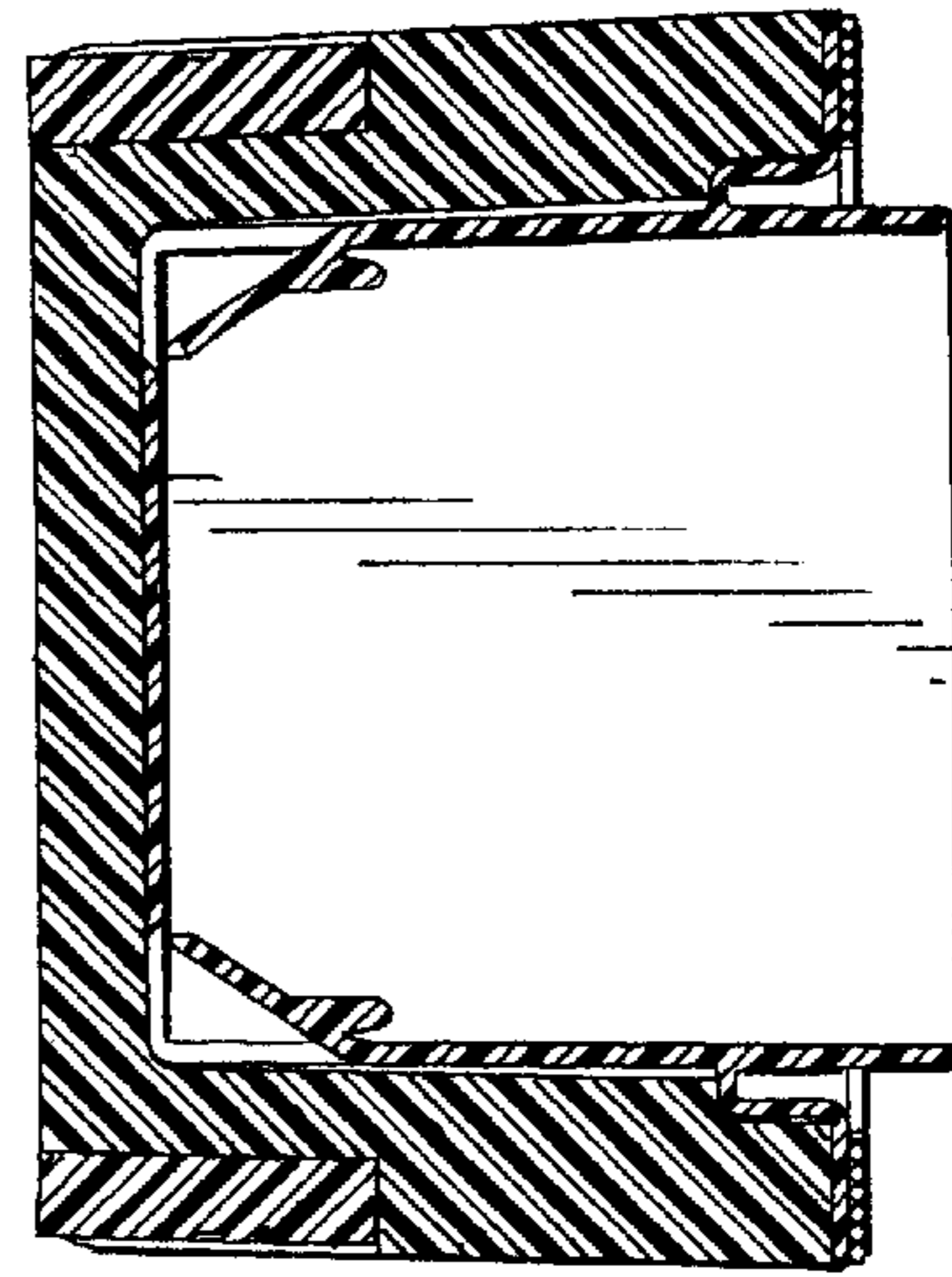


FIG. 8

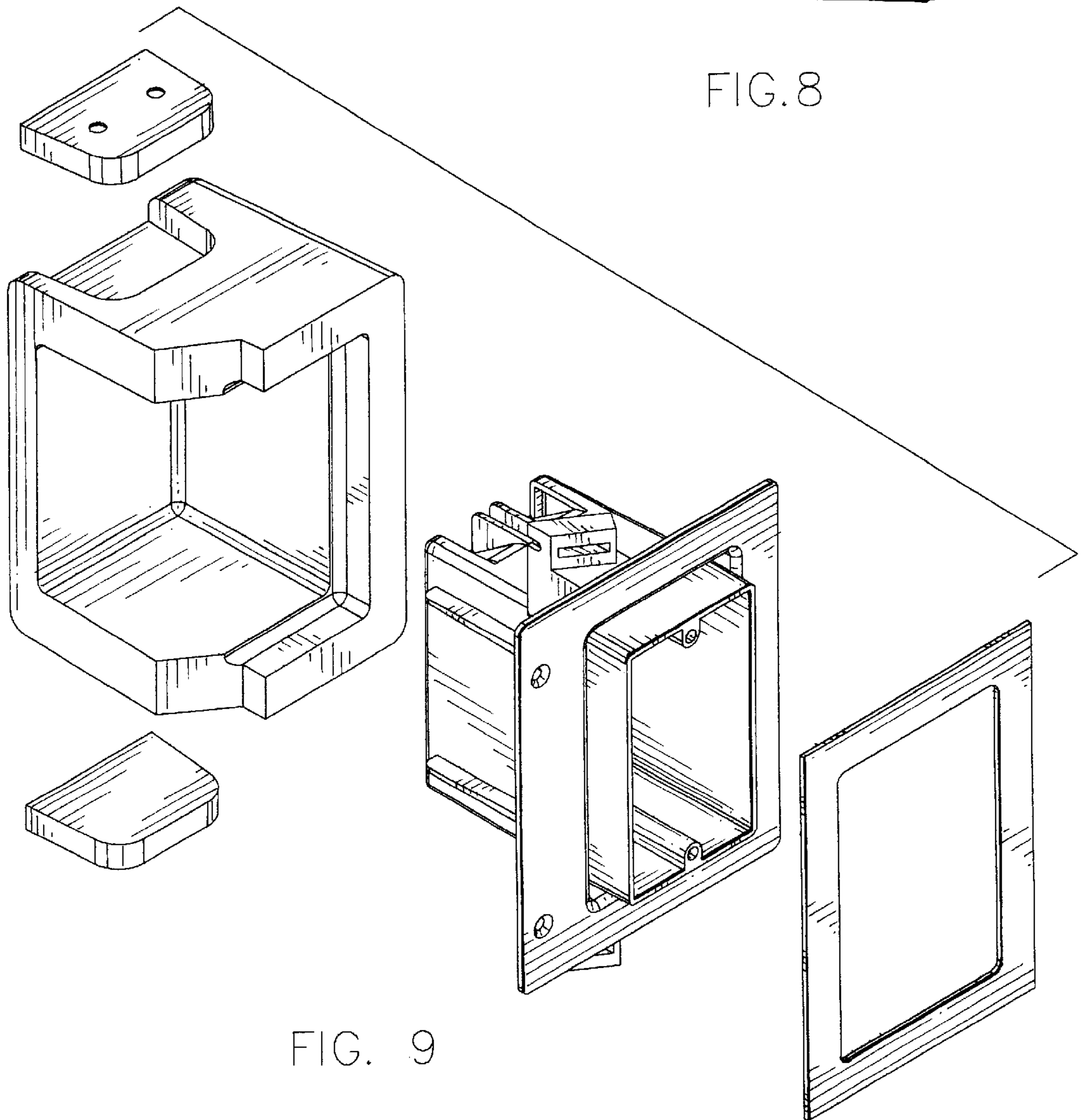


FIG. 9

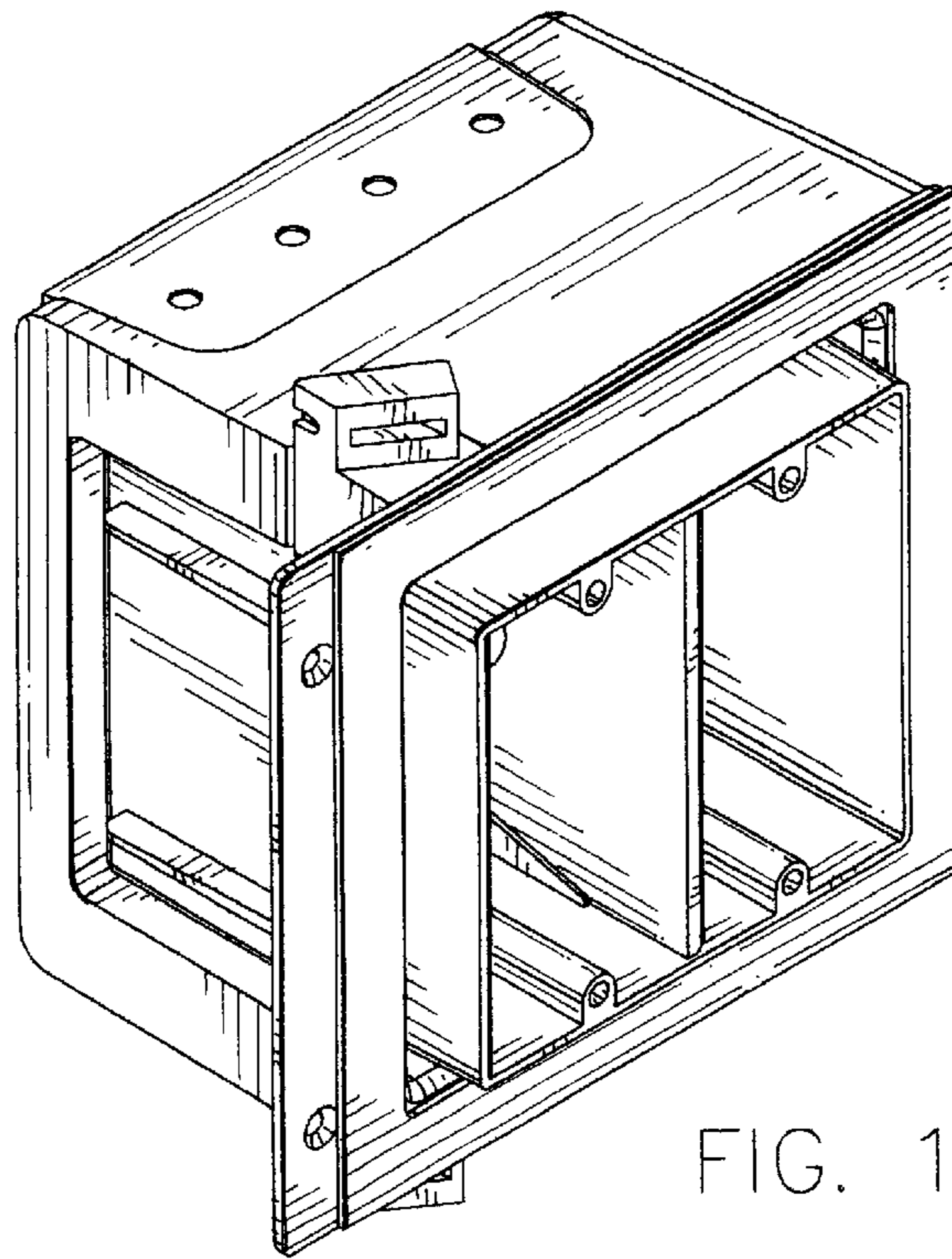


FIG. 10

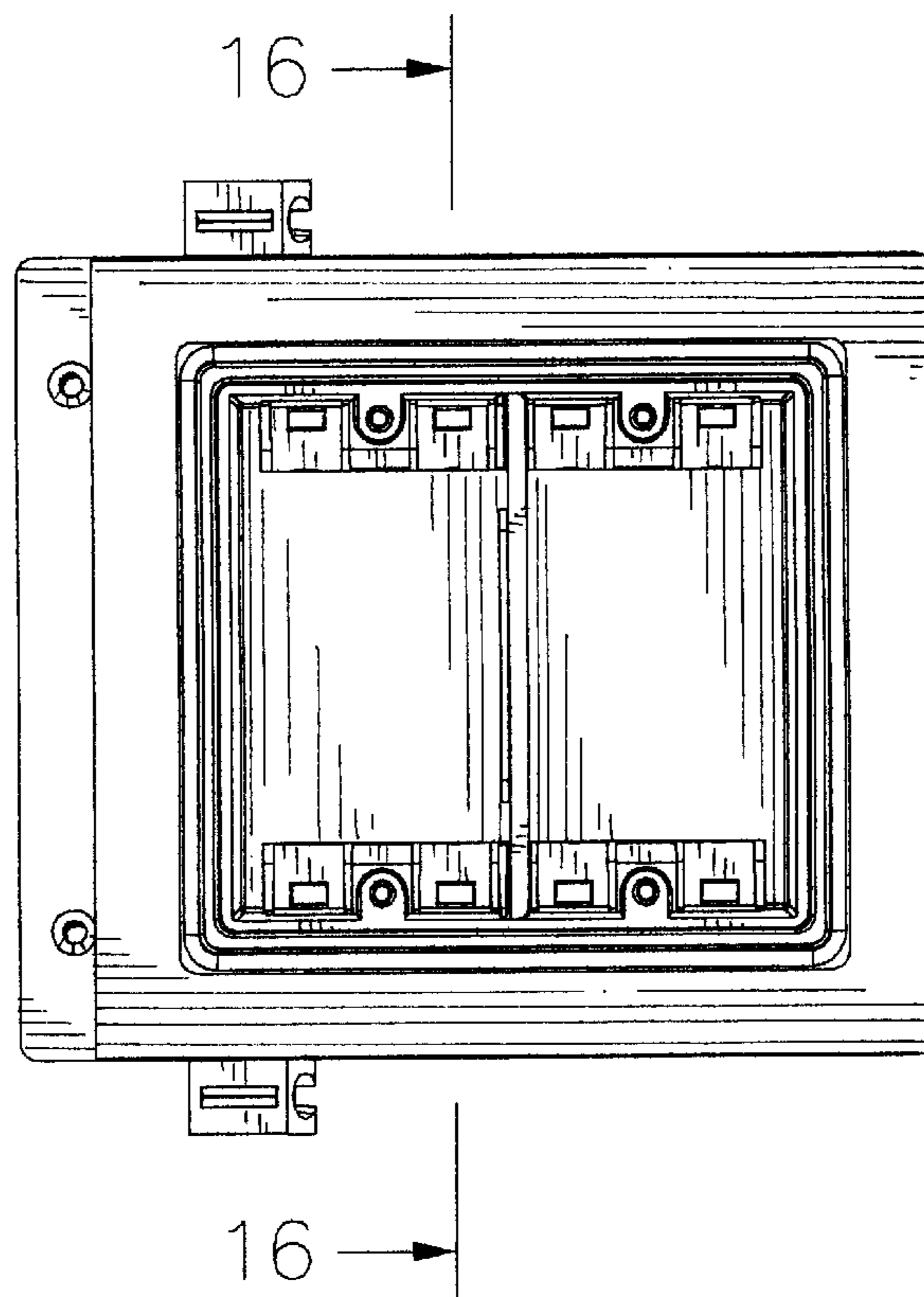


FIG. 11

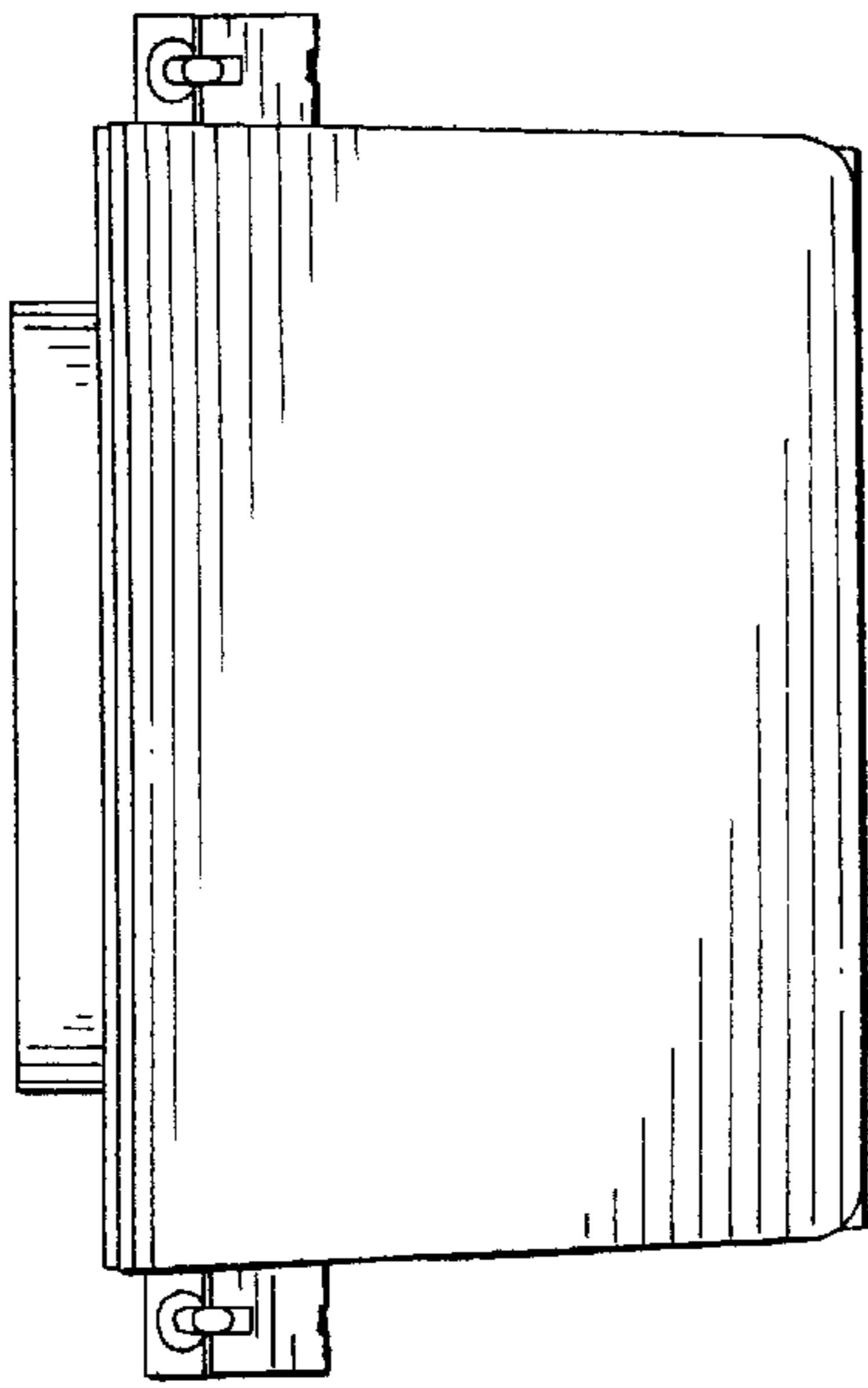


FIG. 12

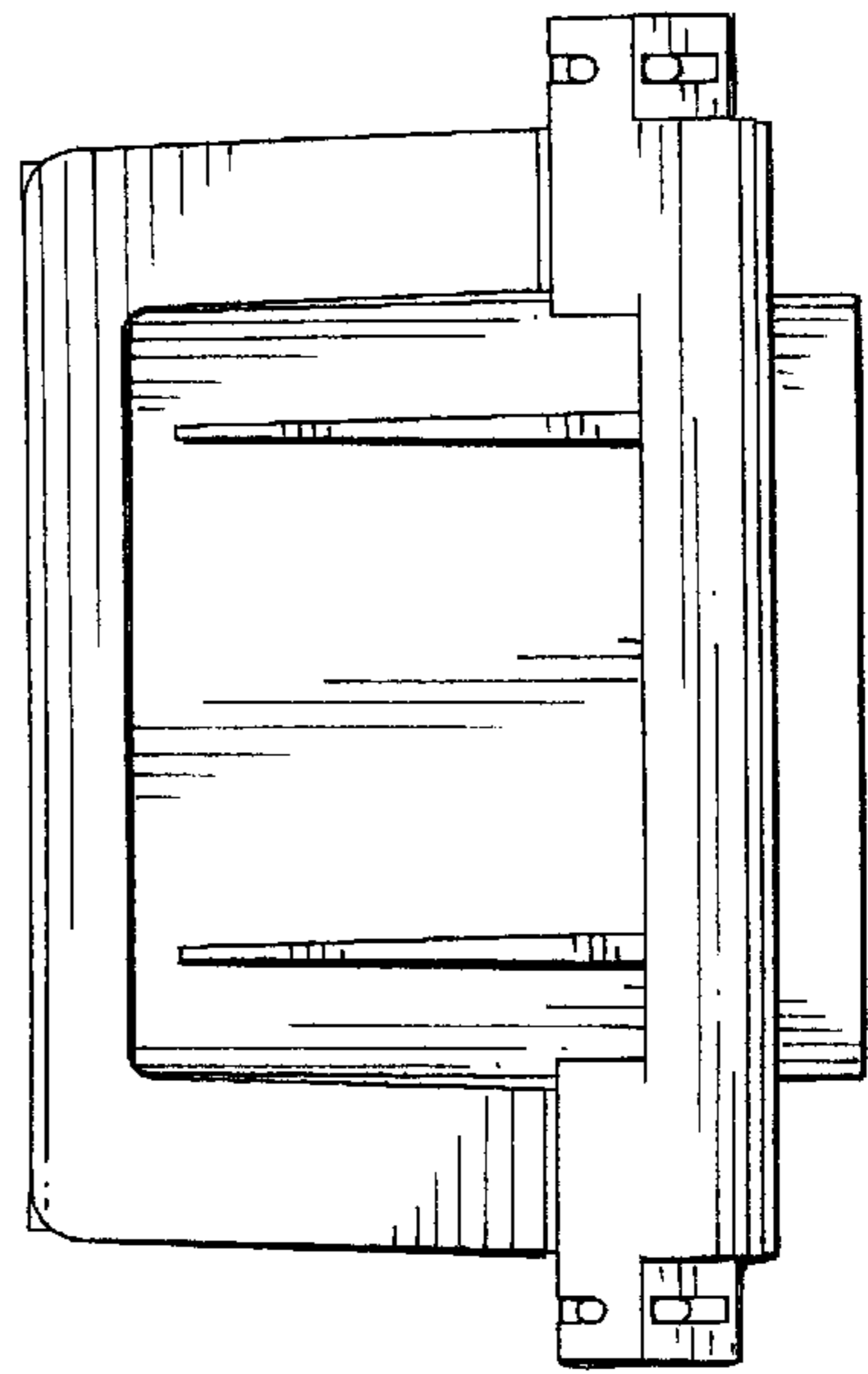


FIG. 13

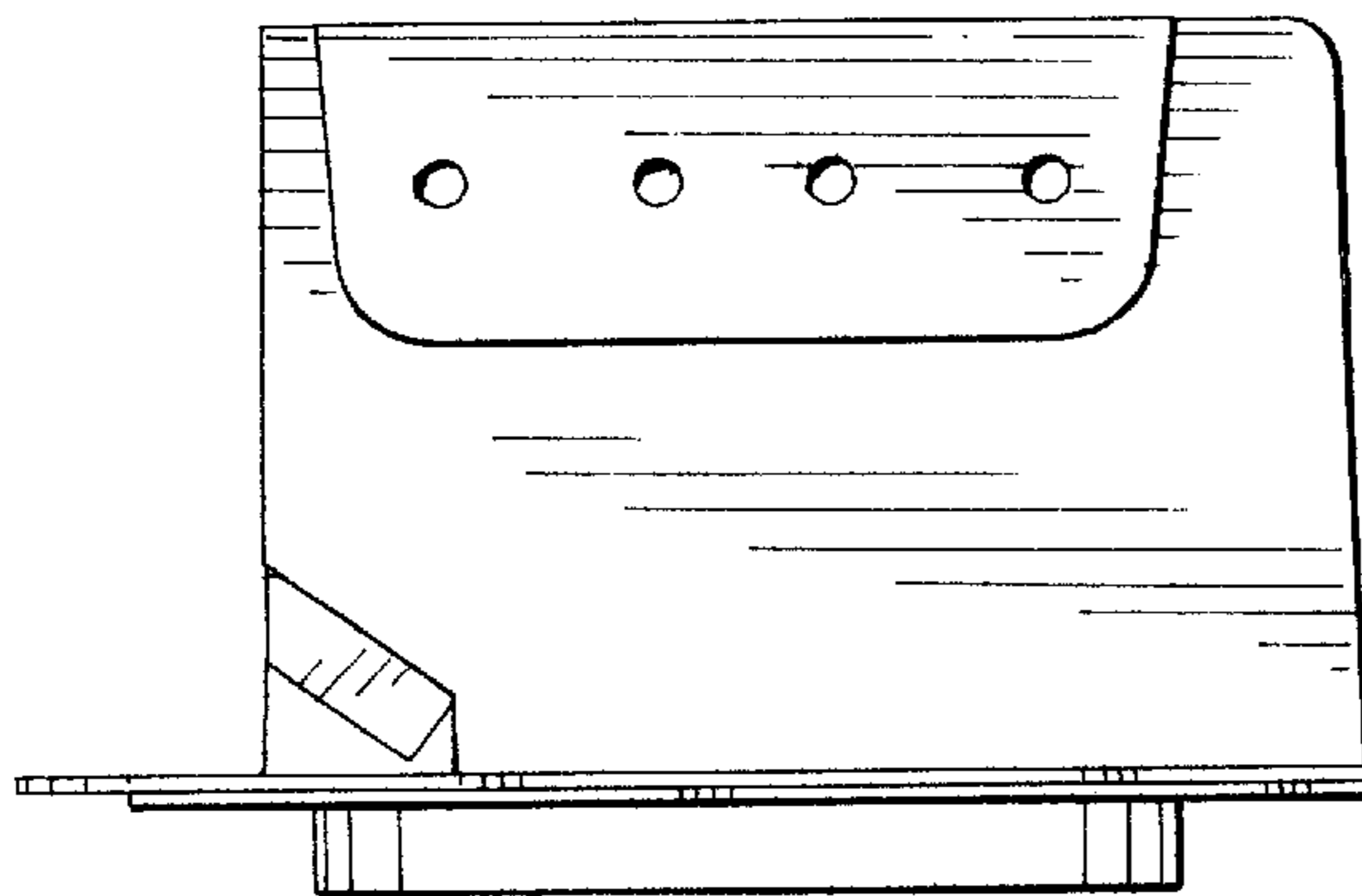


FIG. 14

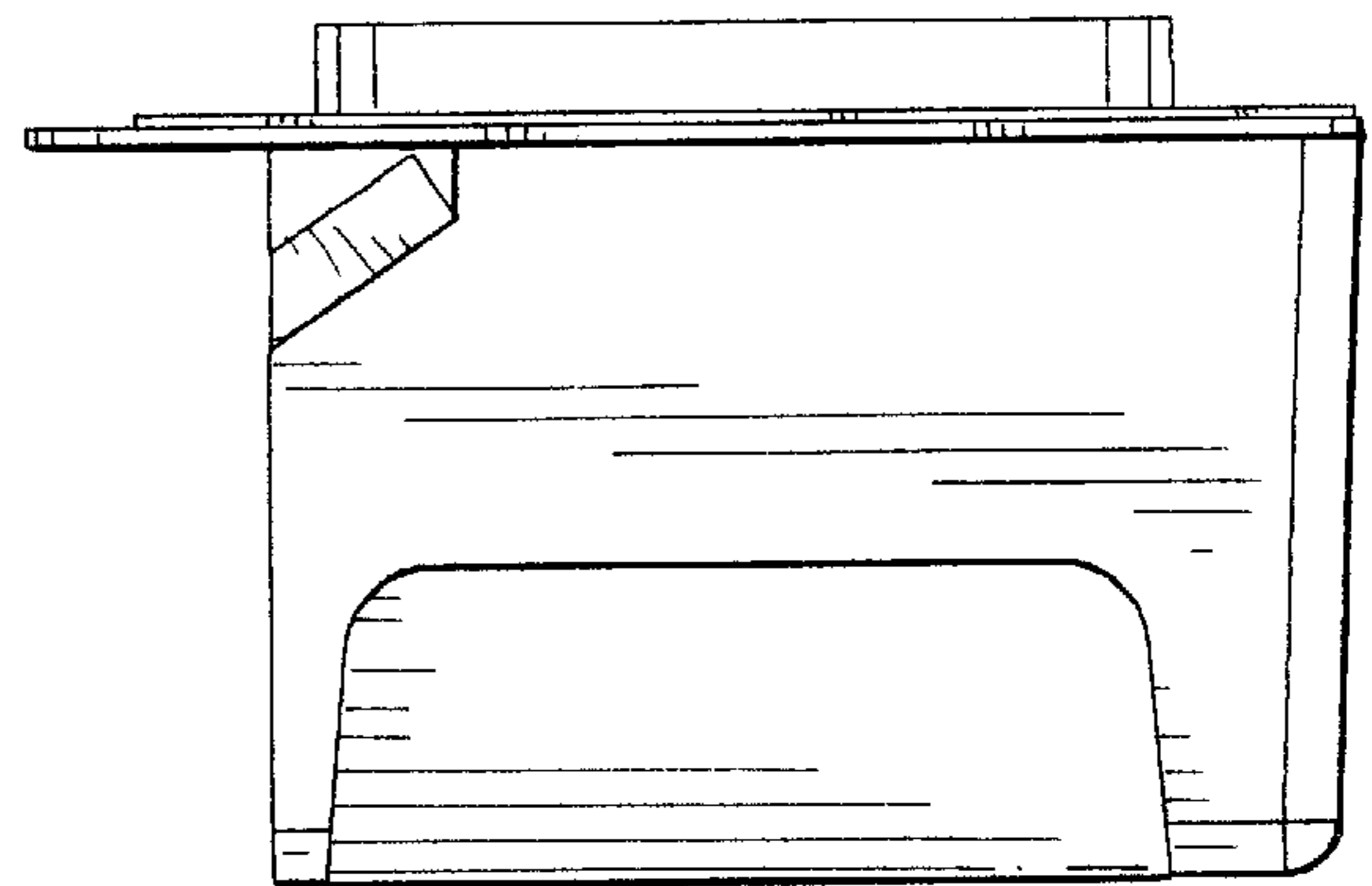


FIG. 15

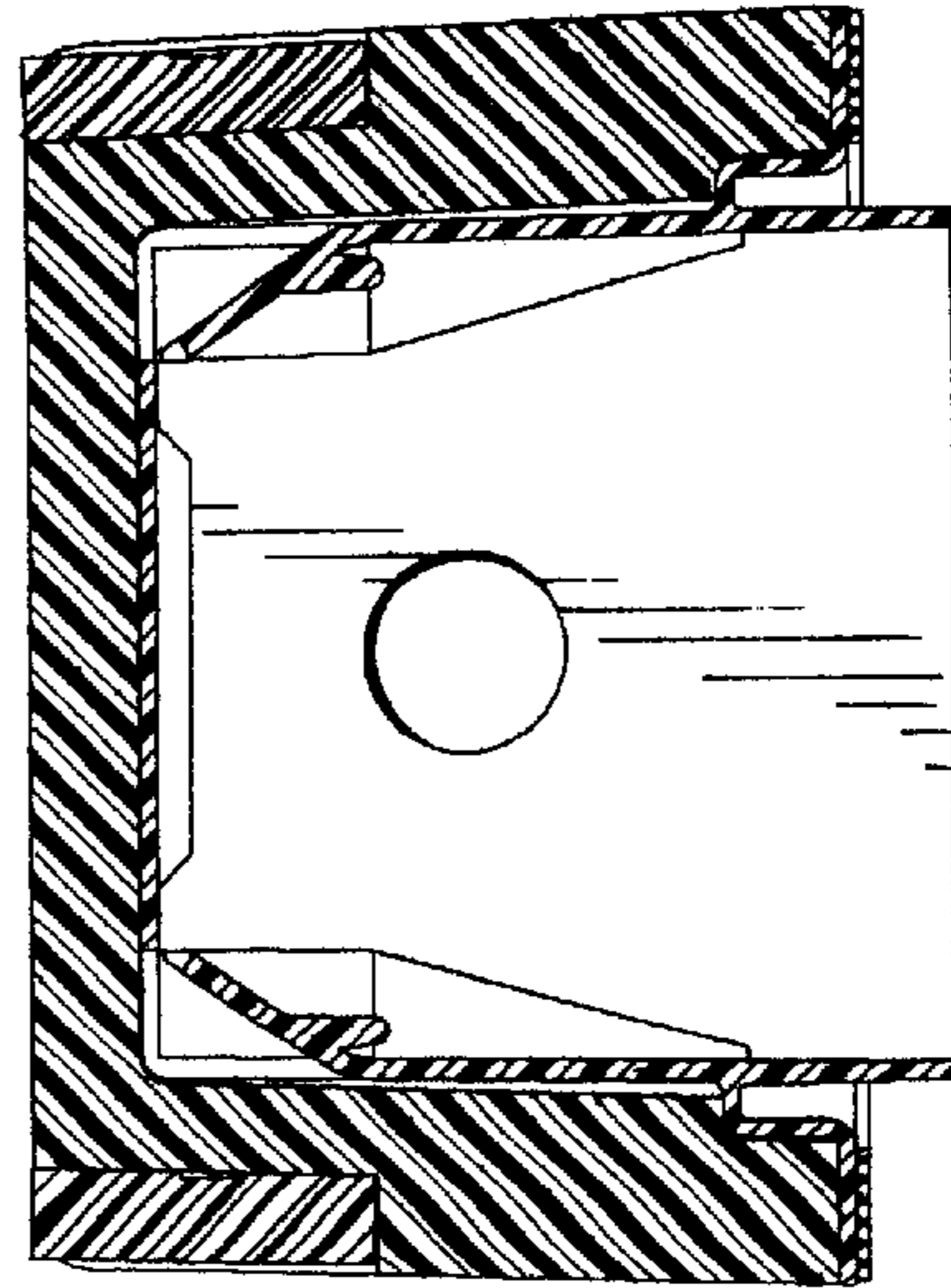


FIG. 16

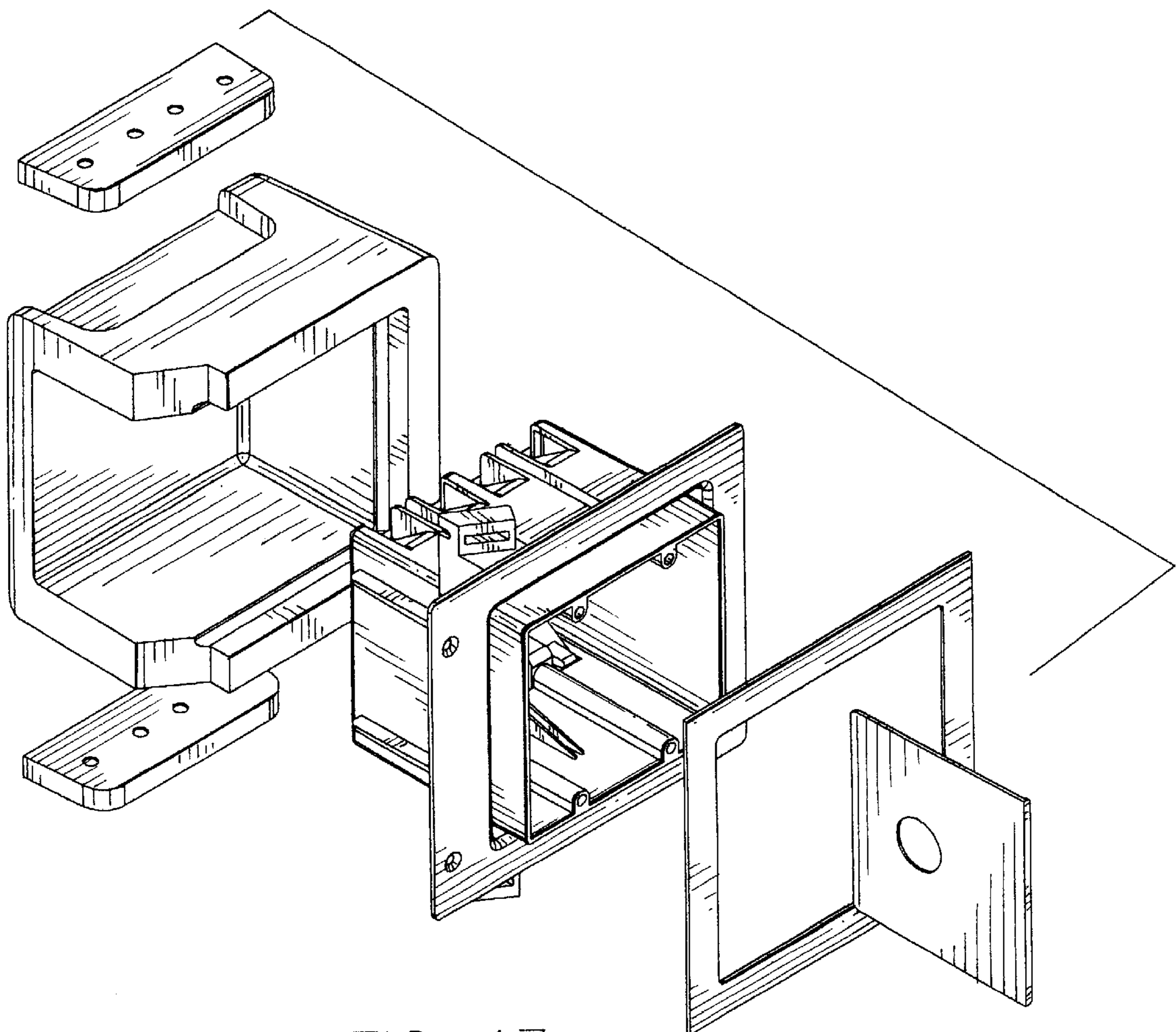


FIG. 17



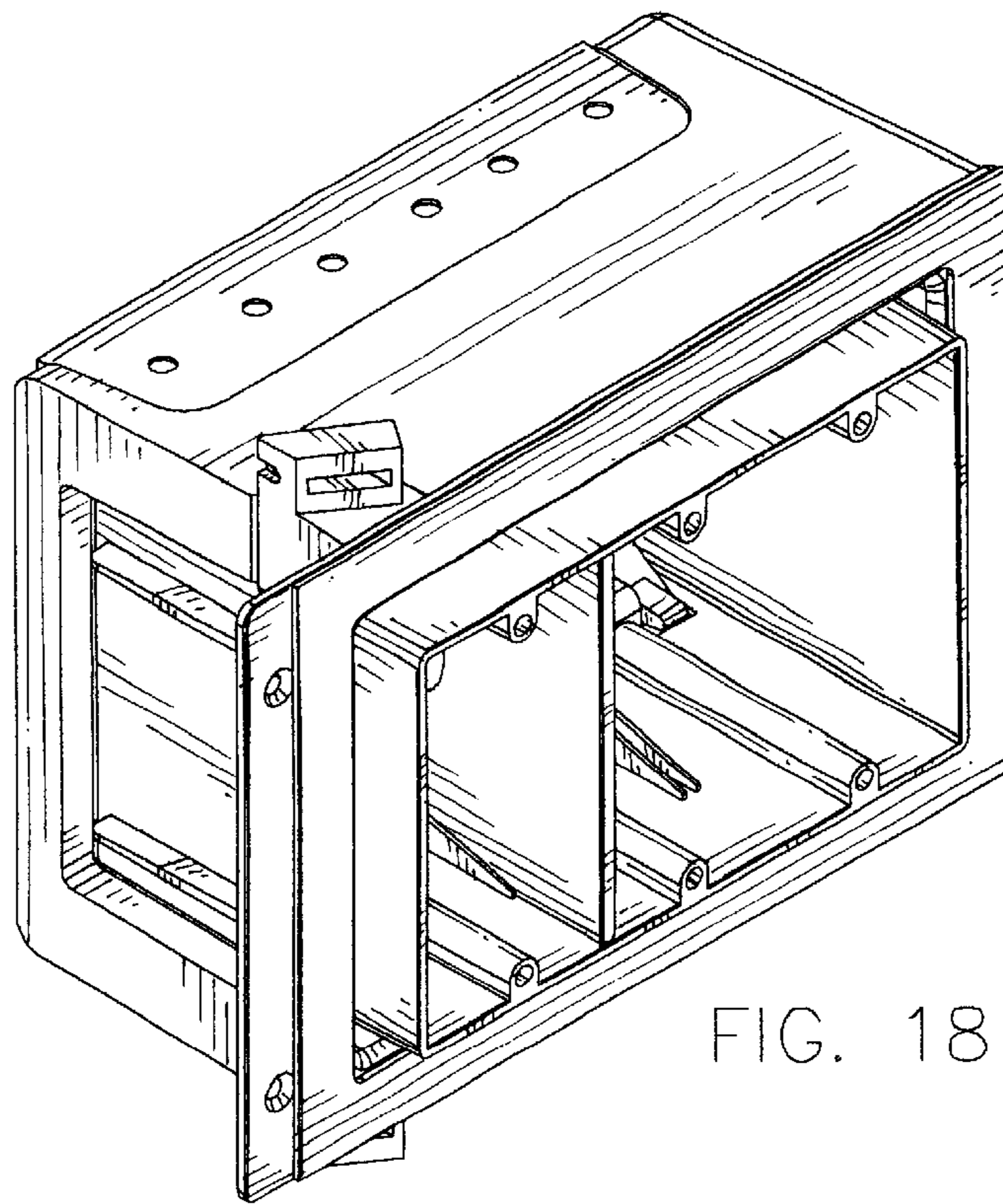


FIG. 18

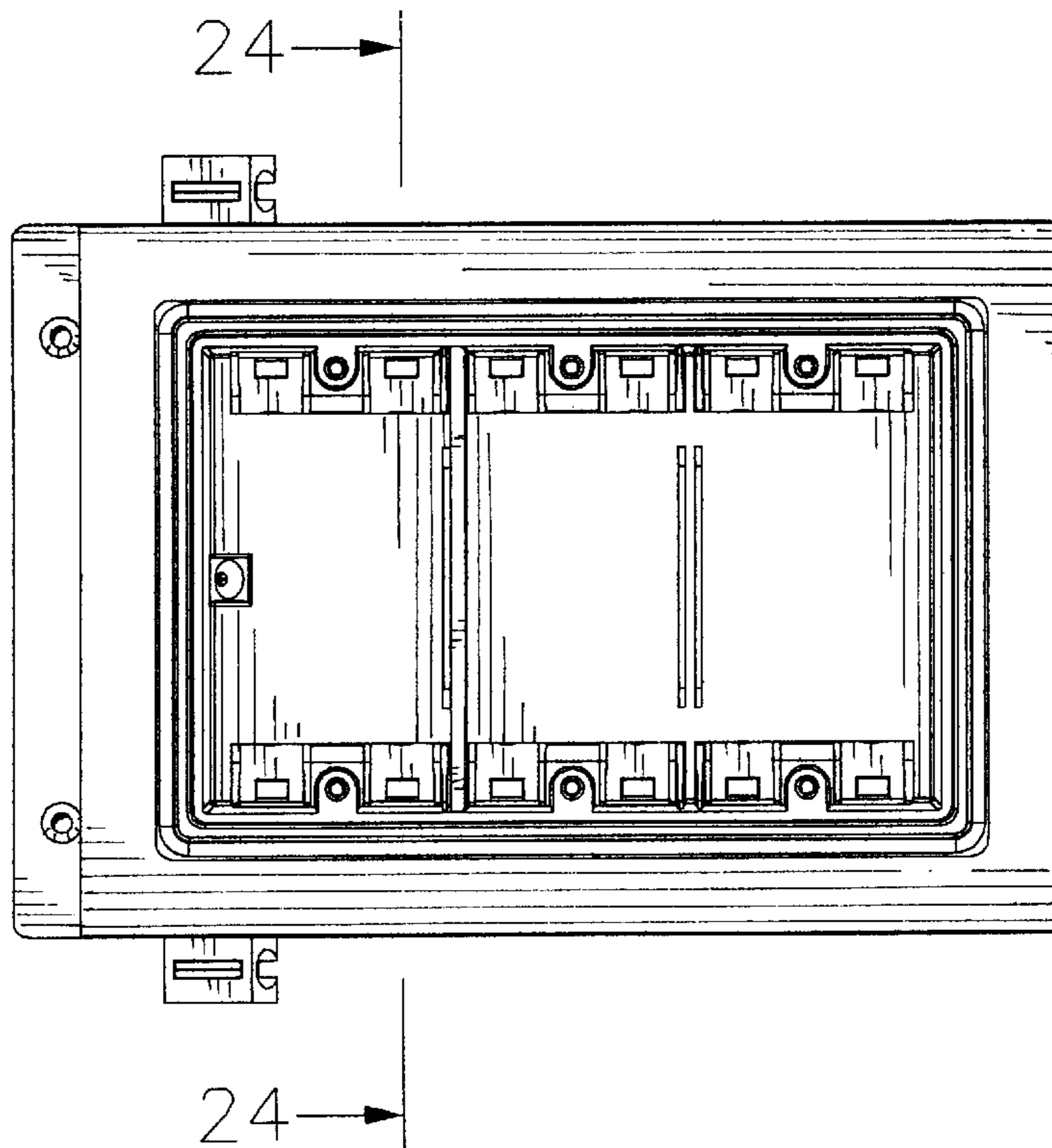


FIG. 19

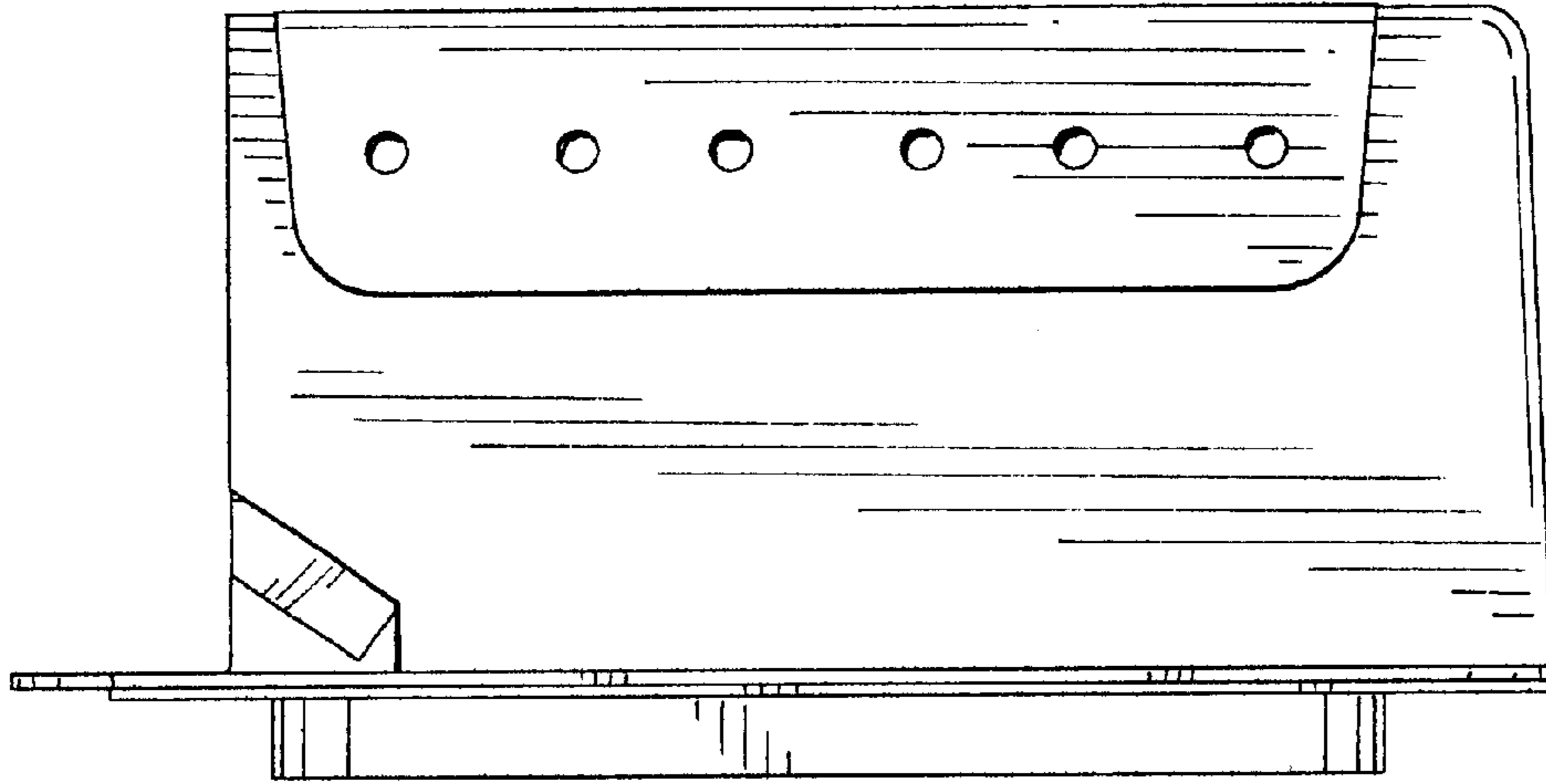


FIG. 20

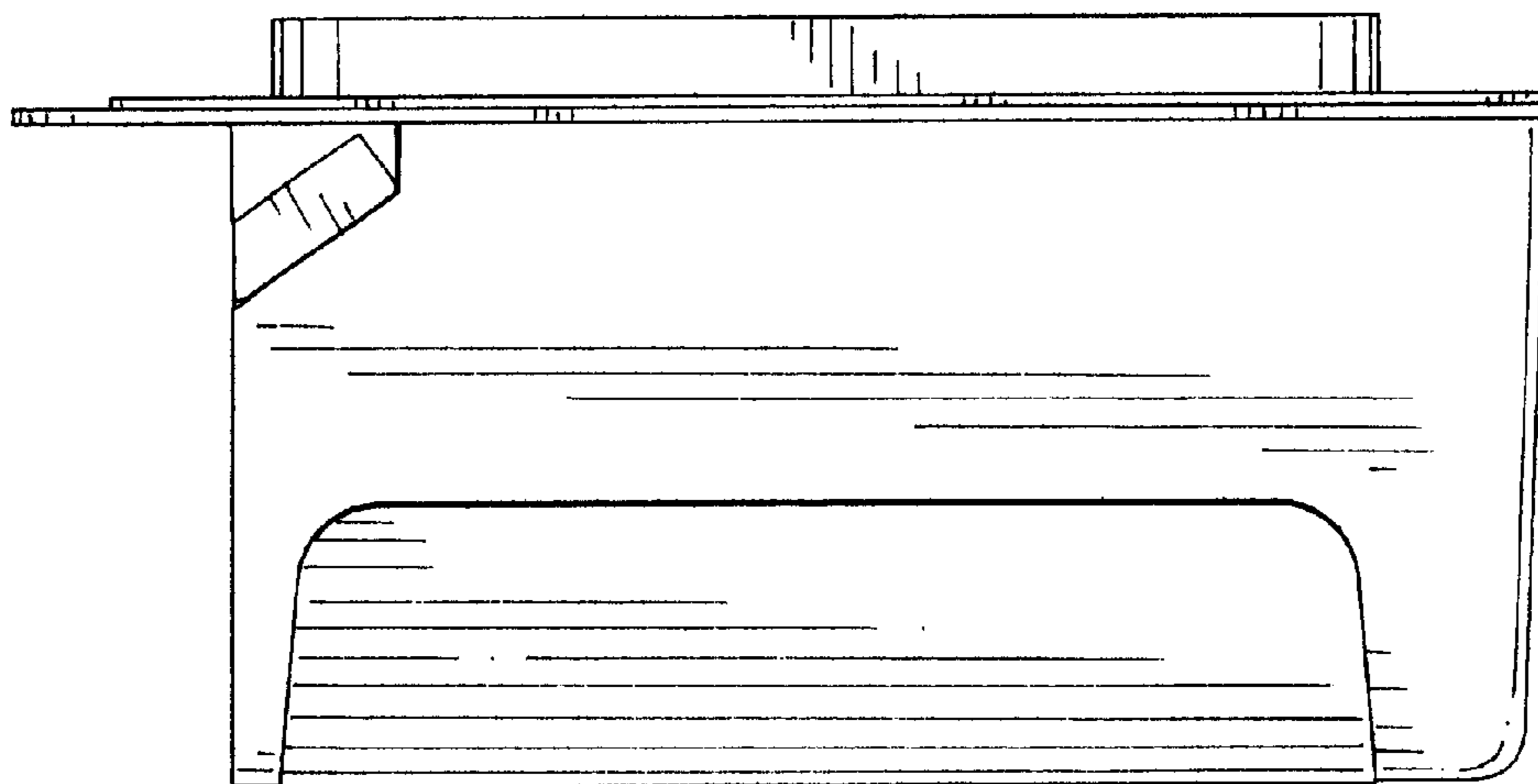


FIG. 21

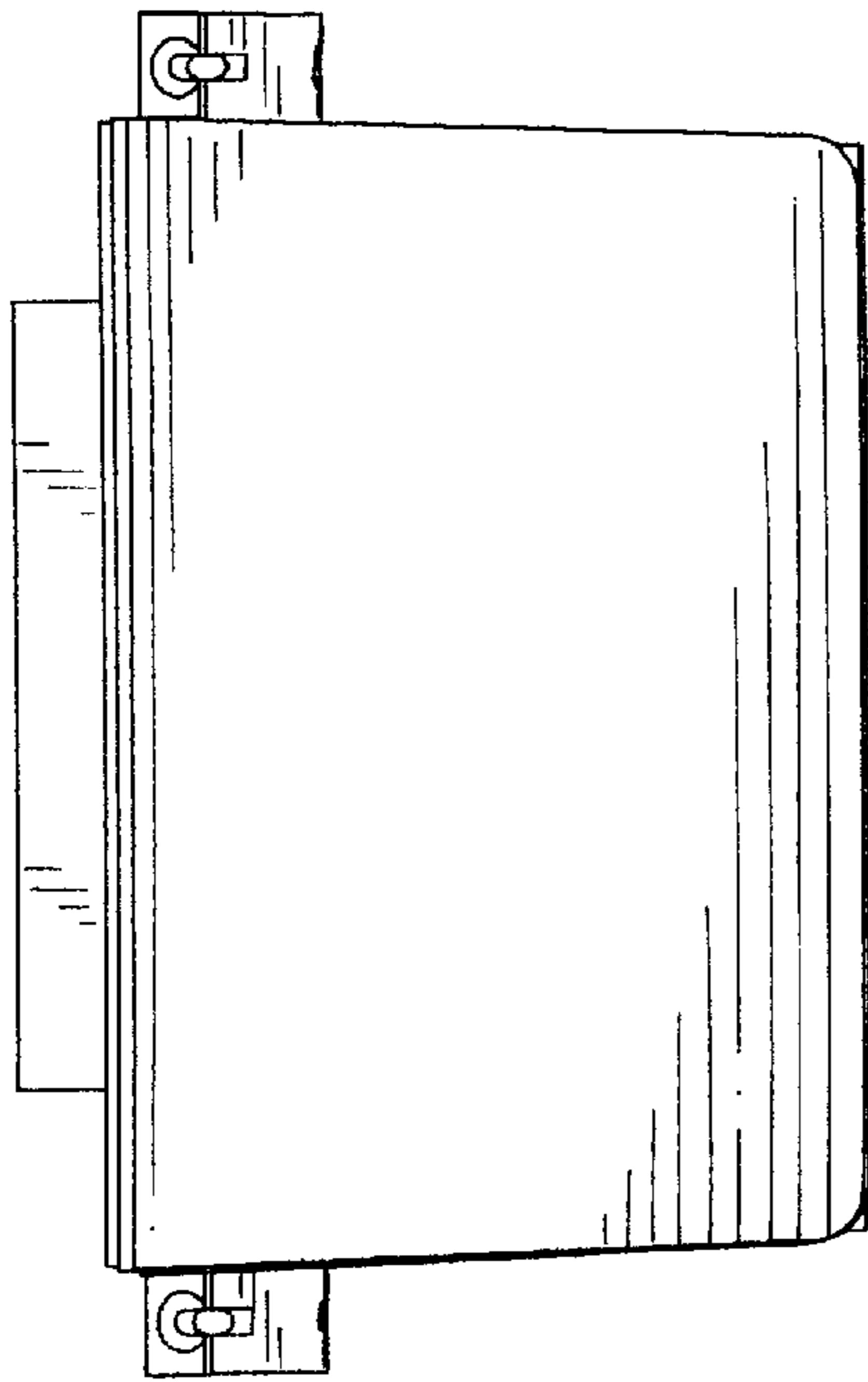


FIG. 22

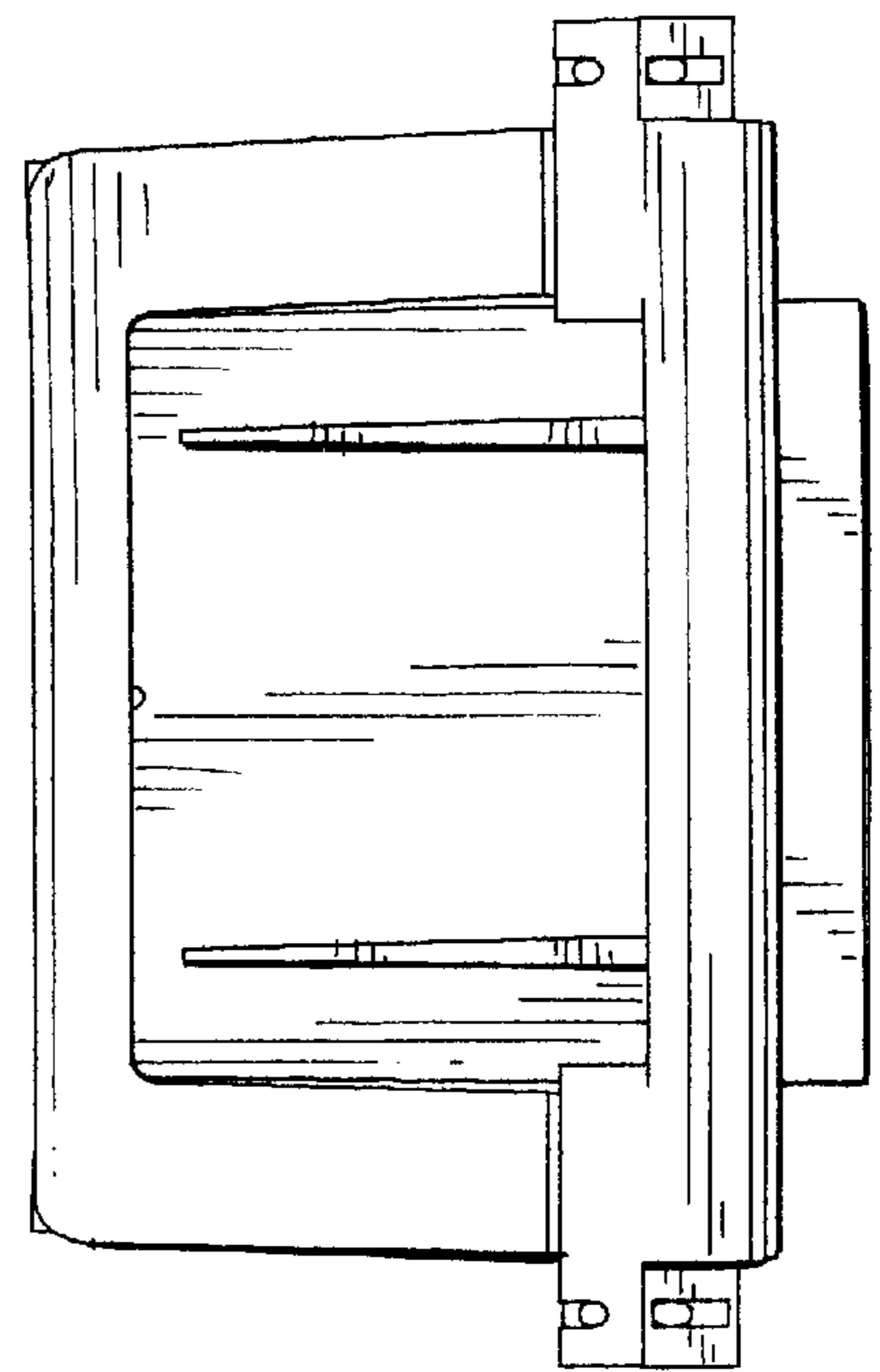


FIG. 23

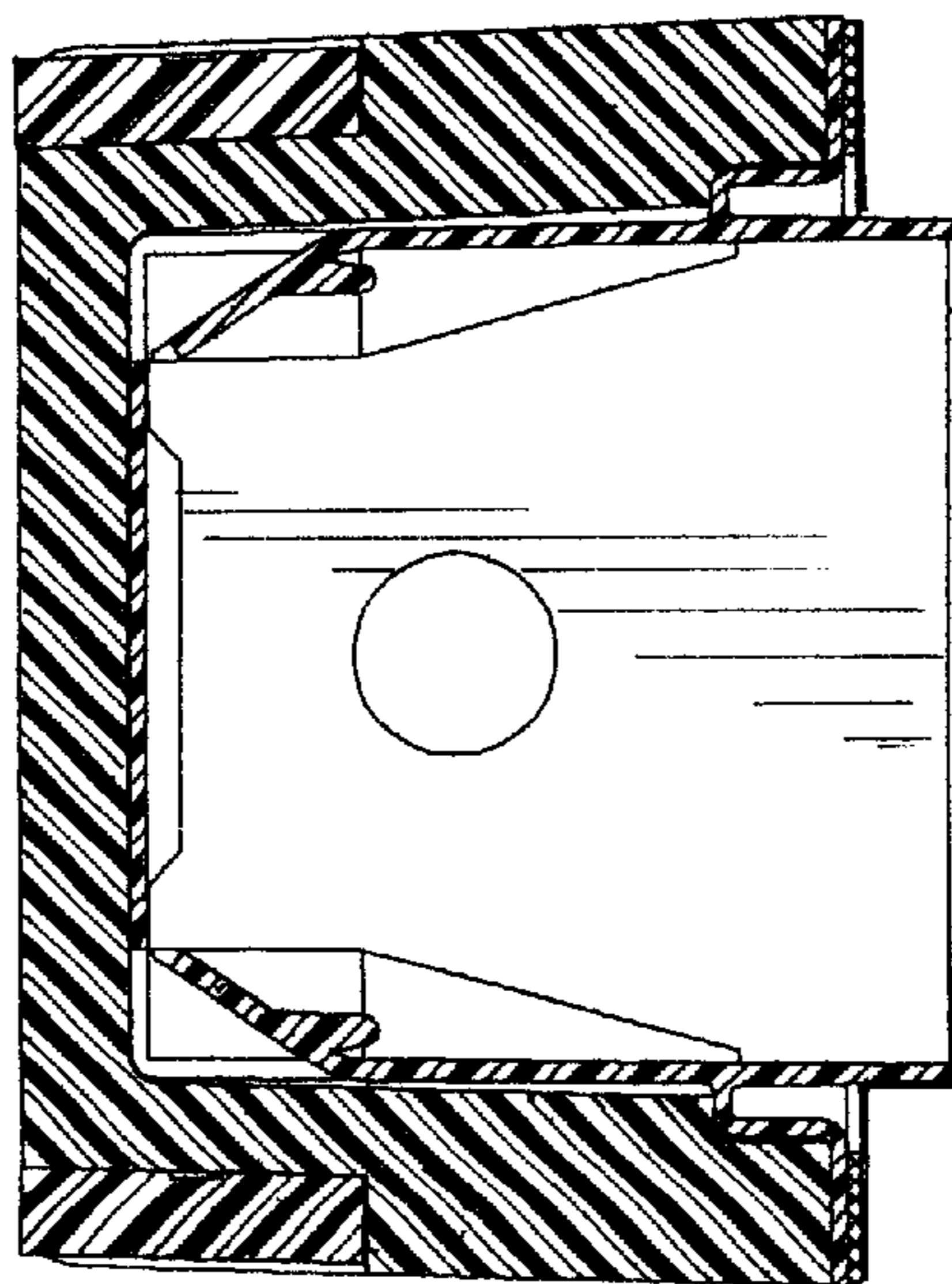


FIG. 24

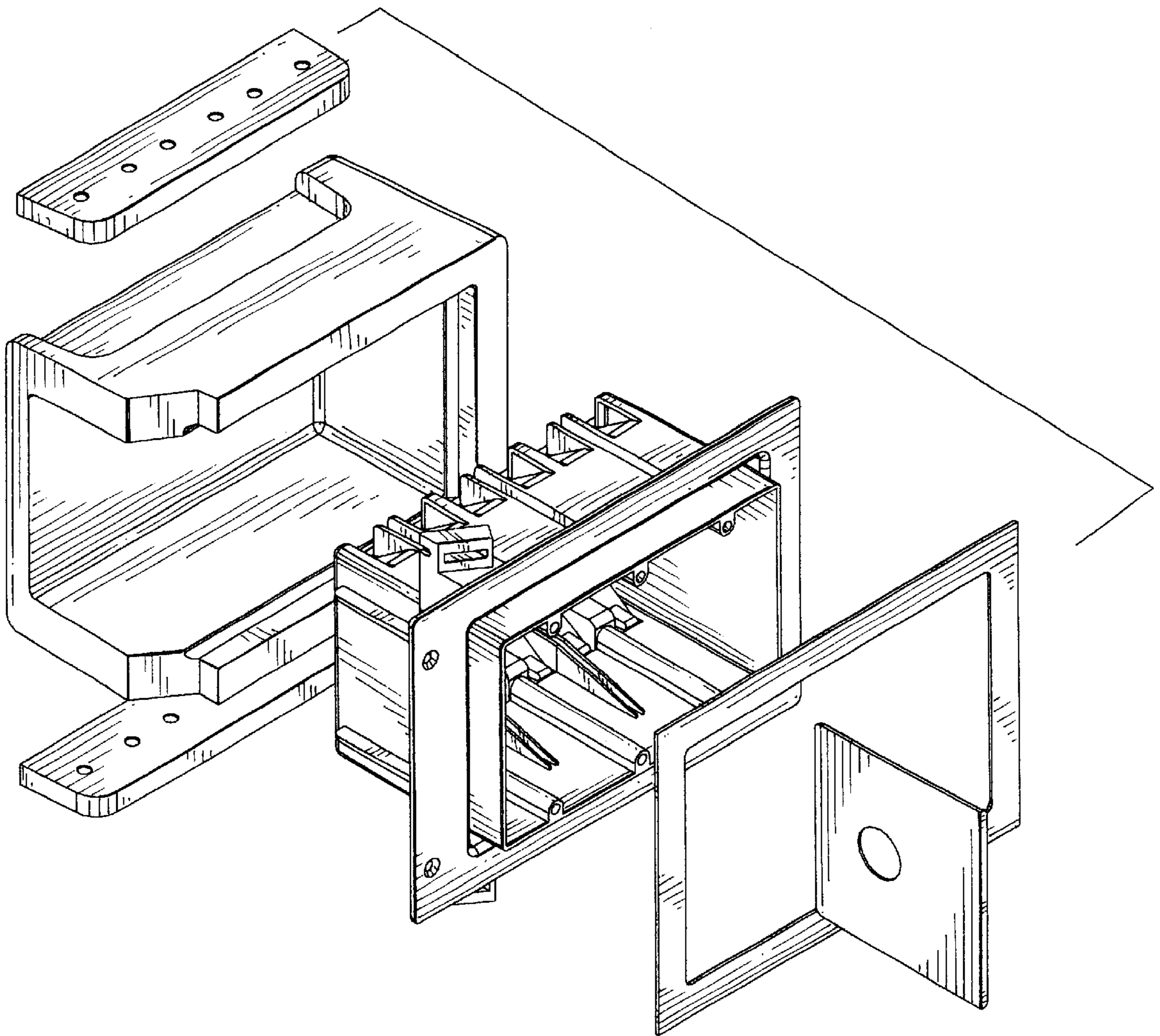


FIG. 25



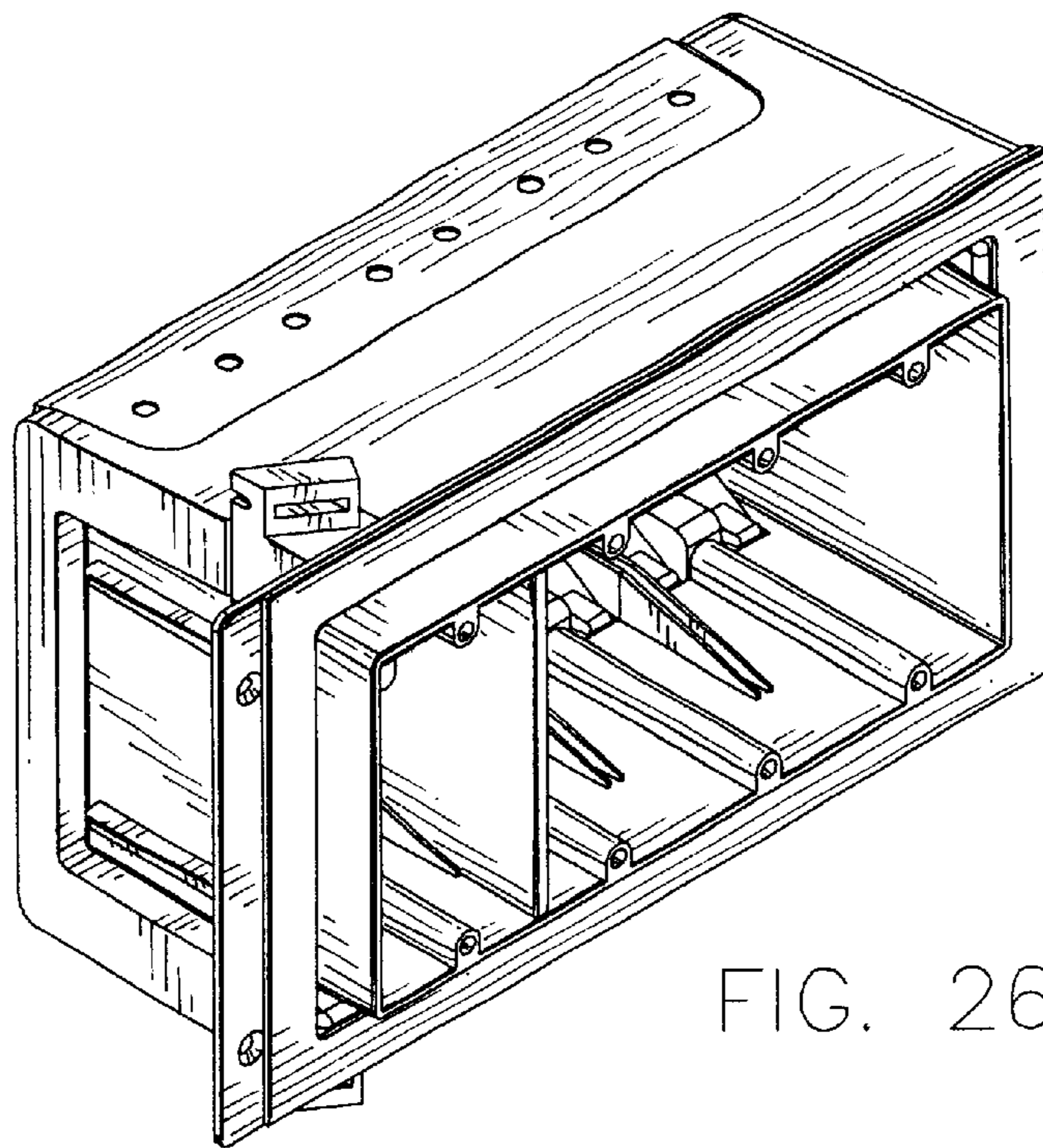


FIG. 26

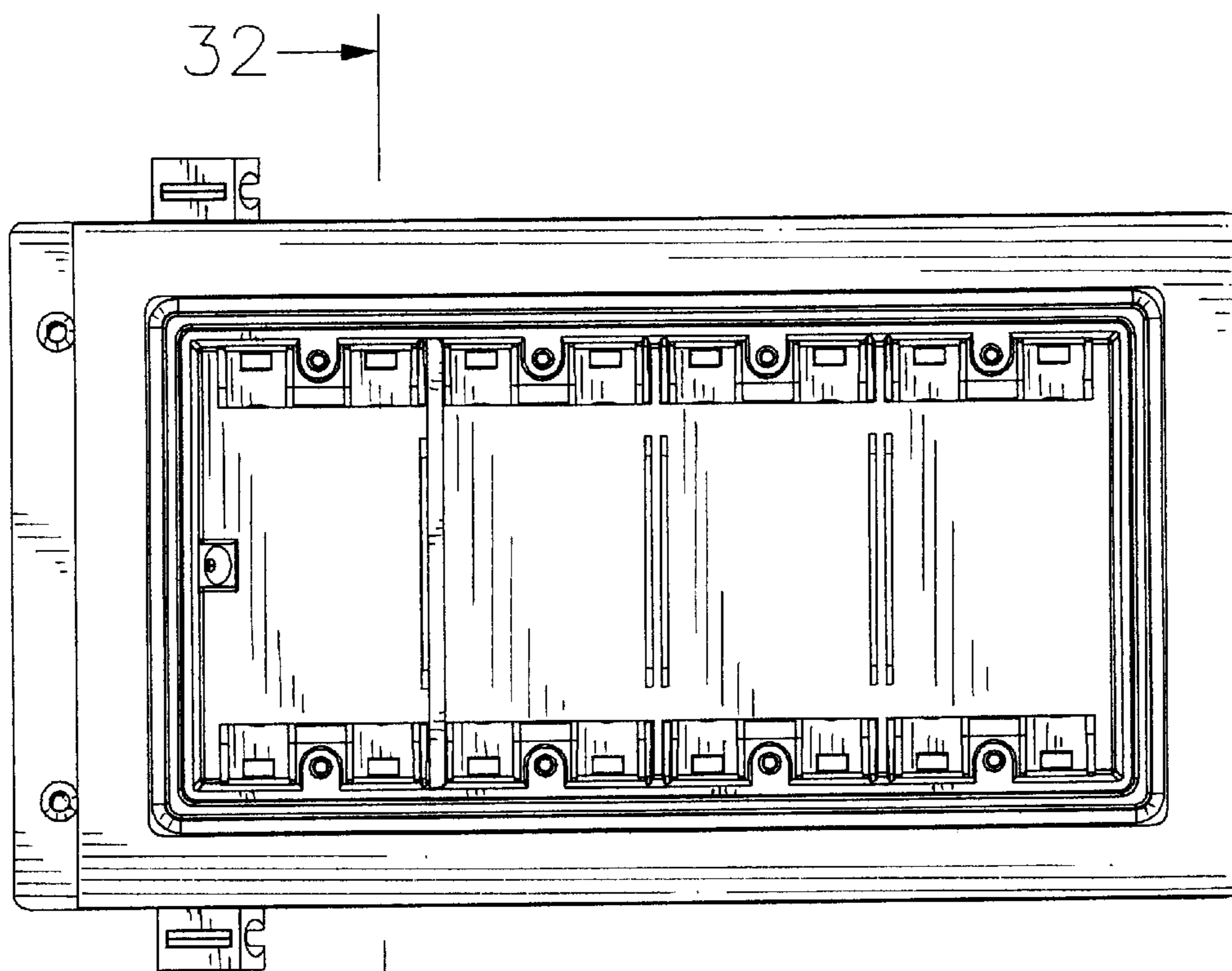


FIG. 27

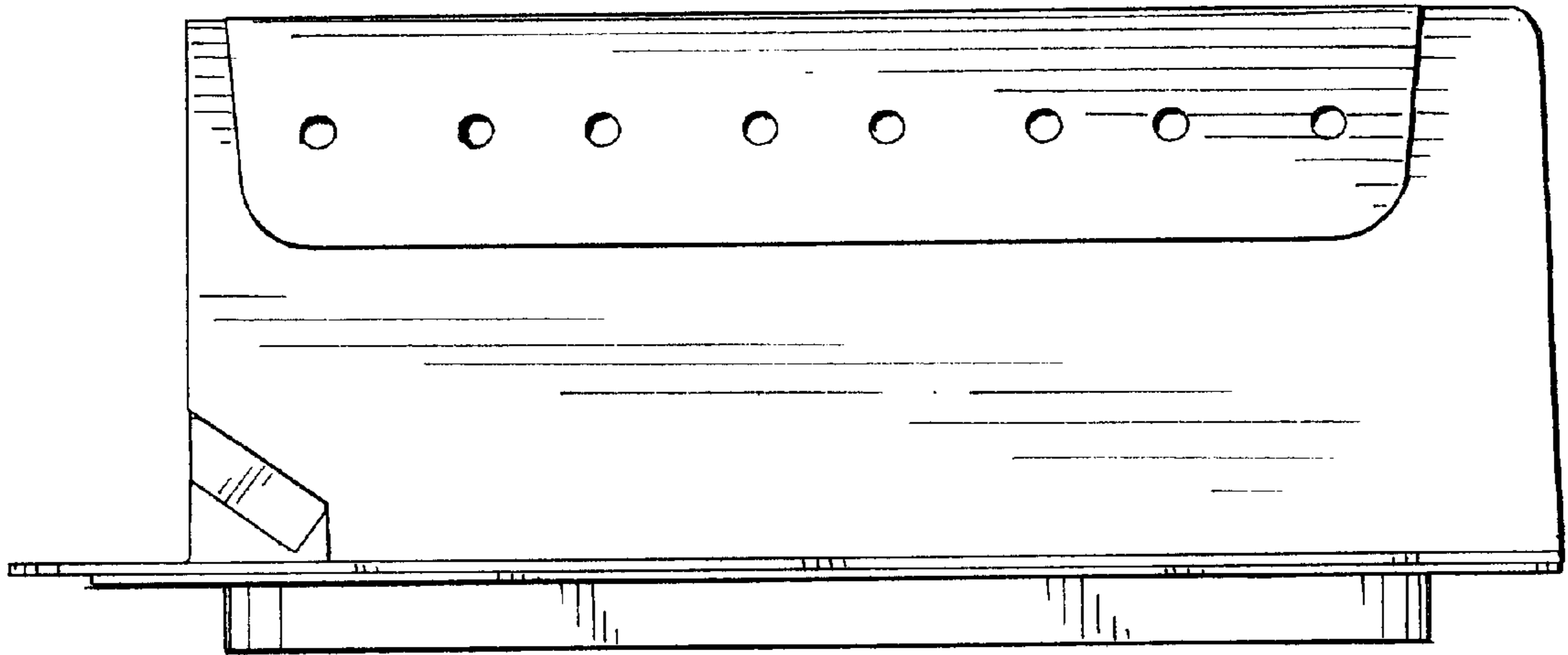


FIG. 28

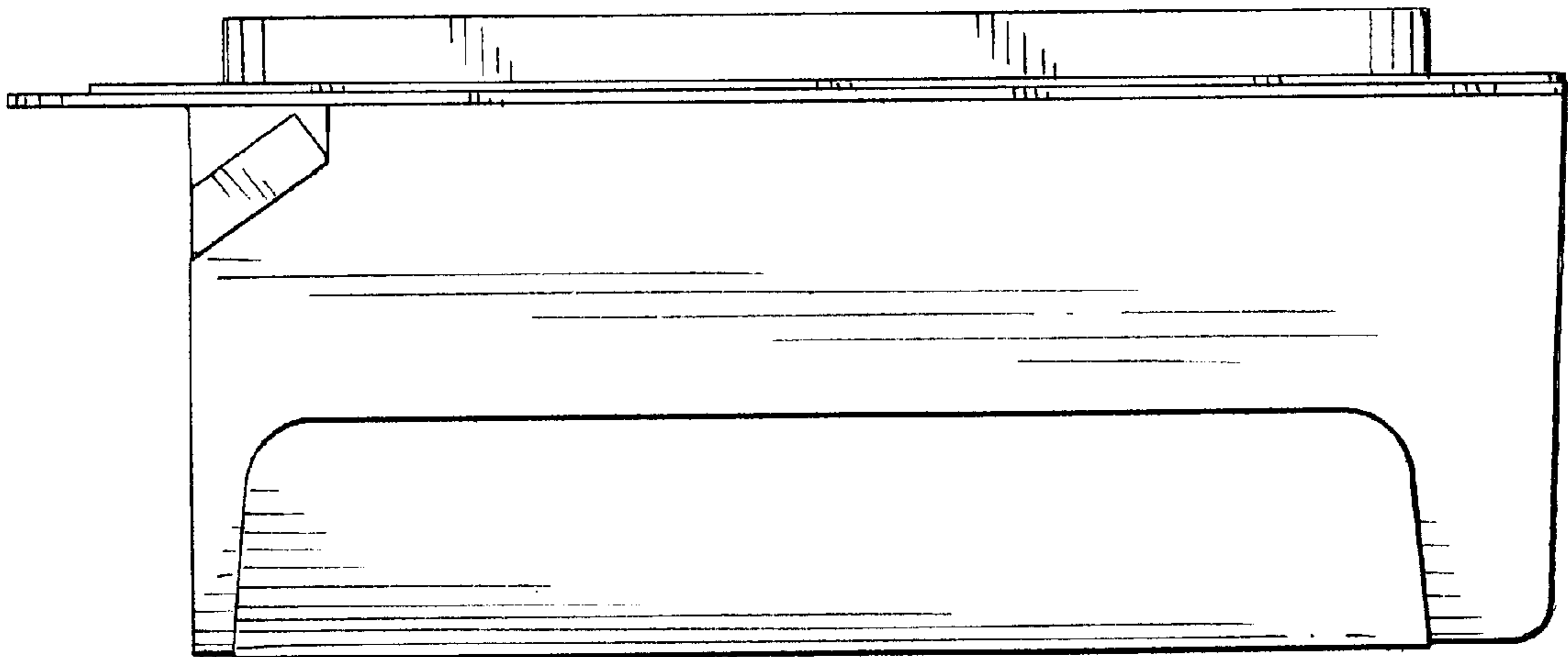


FIG. 29

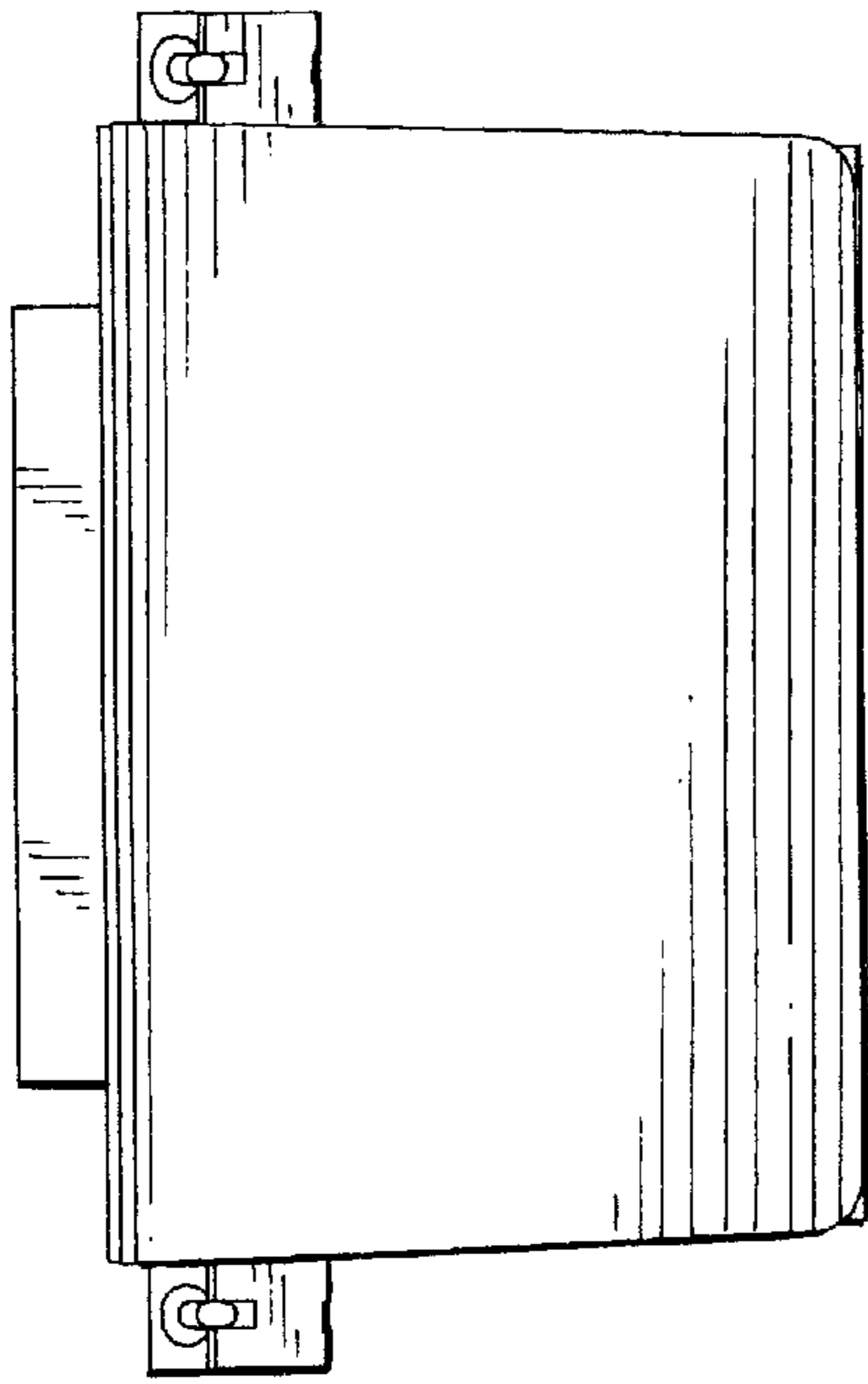


FIG. 30

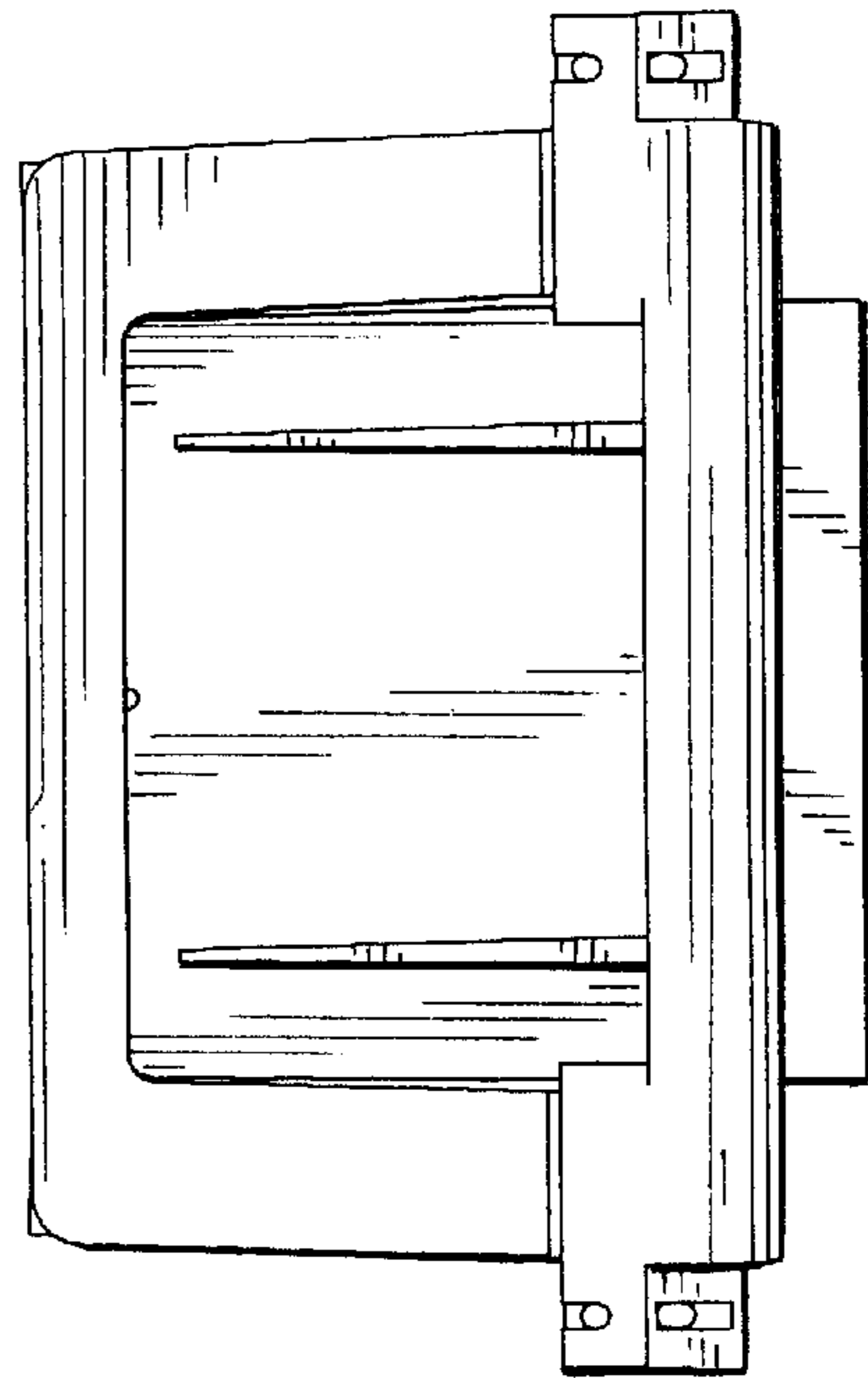


FIG. 31

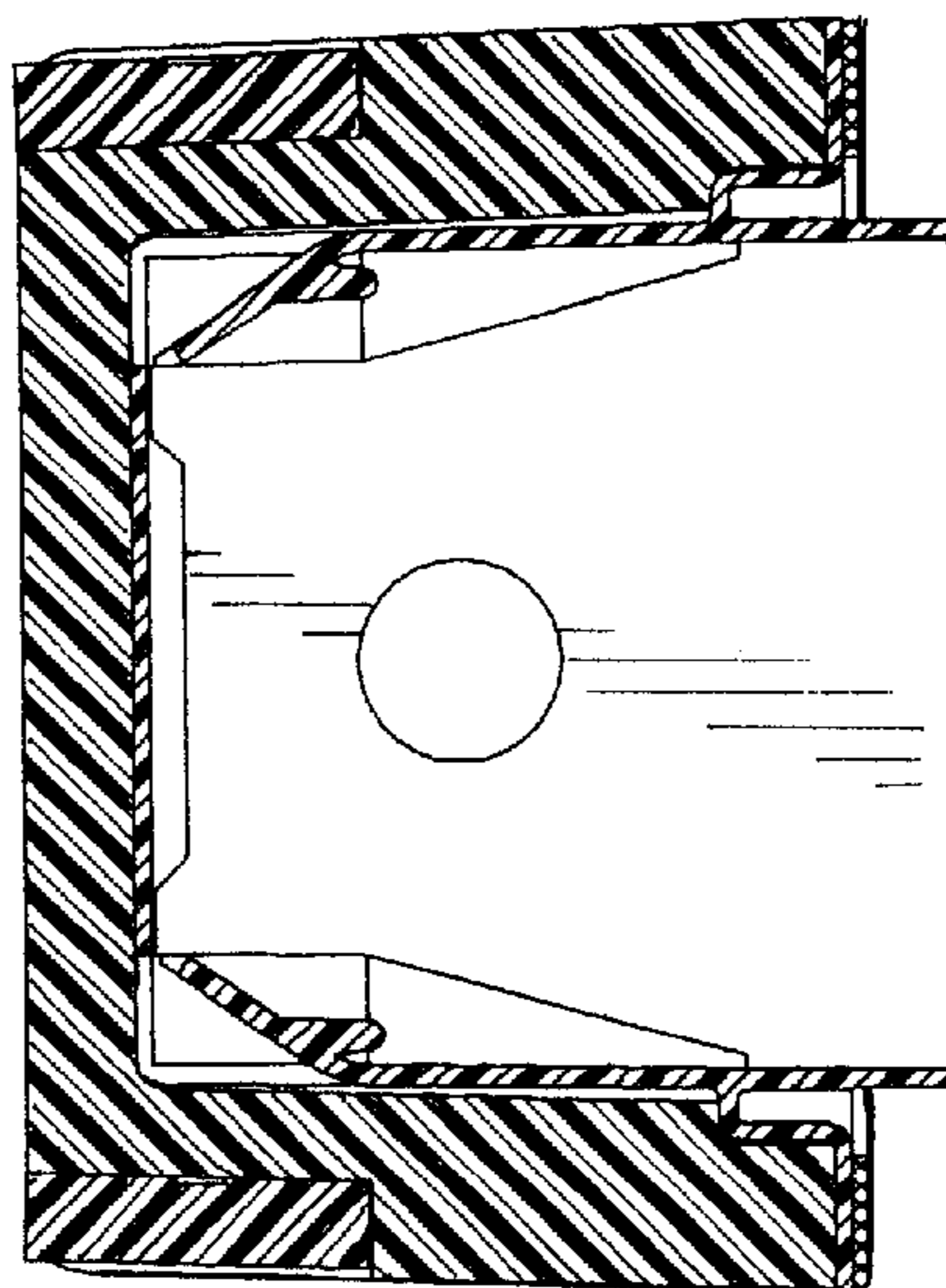


FIG. 32

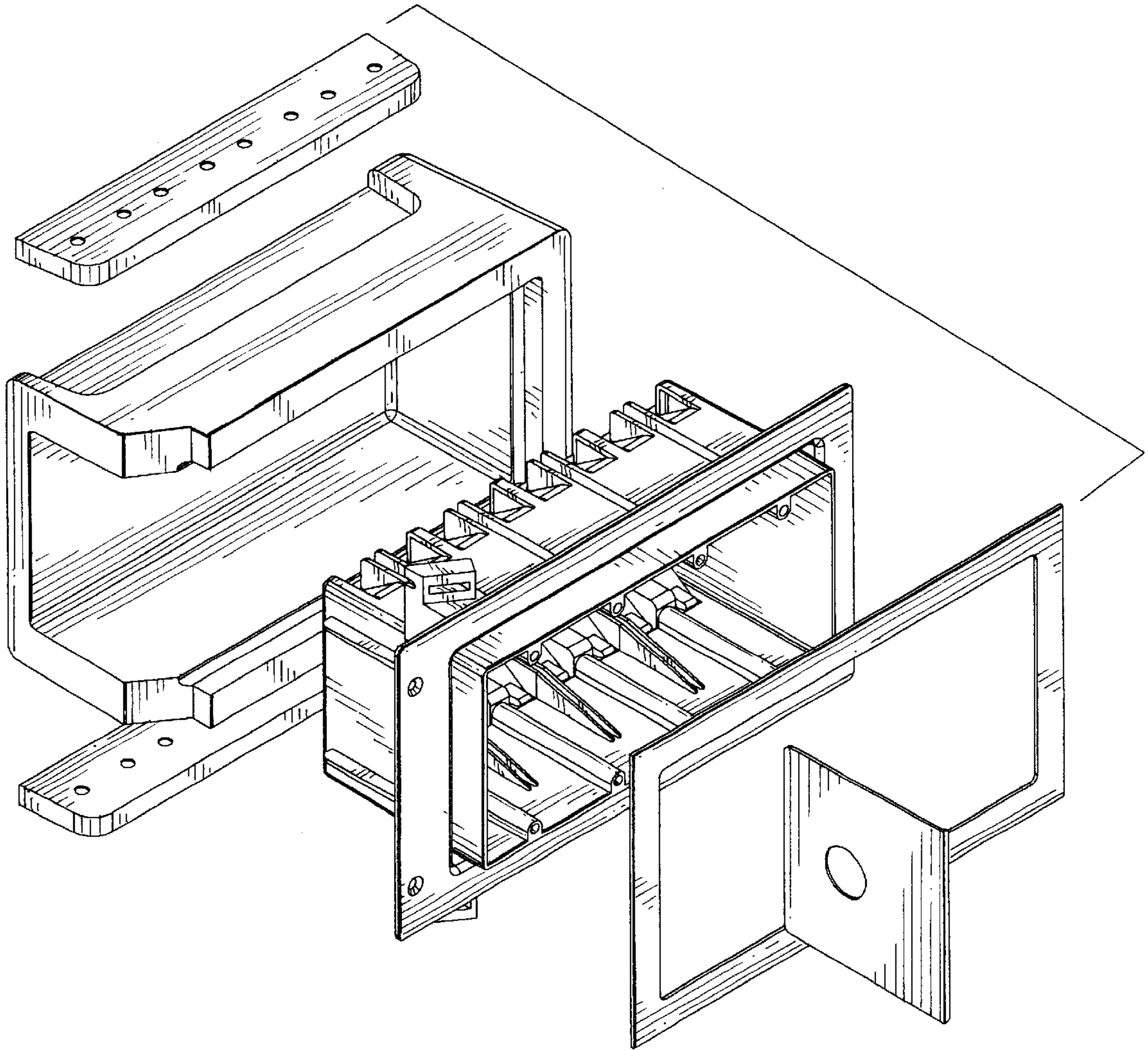


FIG. 33