



US00D478552S

(12) **United States Design Patent**
Zhang et al.

(10) **Patent No.:** **US D478,552 S**

(45) **Date of Patent:** **** Aug. 19, 2003**

(54) **ELECTRICAL CONNECTOR**

(75) Inventors: **Guohua Zhang**, Kunsan (CN); **Ziqiang Zhu**, Kunsan (CN); **Zhonghua Yao**, Kunsan (CN); **Hongqiang Han**, Kunsan (CN)

(73) Assignee: **Hon Hai Precision Ind. Co., Ltd.**, Taipei Hsien (TW)

(**) Term: **14 Years**

(21) Appl. No.: **29/167,807**

(22) Filed: **Sep. 19, 2002**

(30) **Foreign Application Priority Data**

Sep. 13, 2002 (TW) 91305126

(51) **LOC (7) Cl.** **13-03**

(52) **U.S. Cl.** **D13/147**

(58) **Field of Search** D13/146, 147, D13/154; 439/108, 567, 607, 608, 76.1, 79, 638

(56) **References Cited**

U.S. PATENT DOCUMENTS

- 5,125,854 A * 6/1992 Bassler et al. 439/607
- 5,304,069 A * 4/1994 Bruner et al. 439/108
- 5,921,801 A * 7/1999 O'Sullivan et al. 439/362
- 6,193,555 B1 * 2/2001 Chang 439/608

- 6,210,218 B1 * 4/2001 Chang 439/567
- 6,299,482 B1 * 10/2001 Huang 439/607
- D452,961 S * 1/2002 Zheng et al. D13/147
- D453,738 S * 2/2002 Shao et al. D13/147
- 6,343,957 B1 * 2/2002 Kuo et al. 439/638
- D454,336 S * 3/2002 Manchester et al. D13/147
- D468,693 S * 1/2003 Kuo D13/147

* cited by examiner

Primary Examiner—Joel Sincavage

(74) *Attorney, Agent, or Firm*—Wei Te Chung

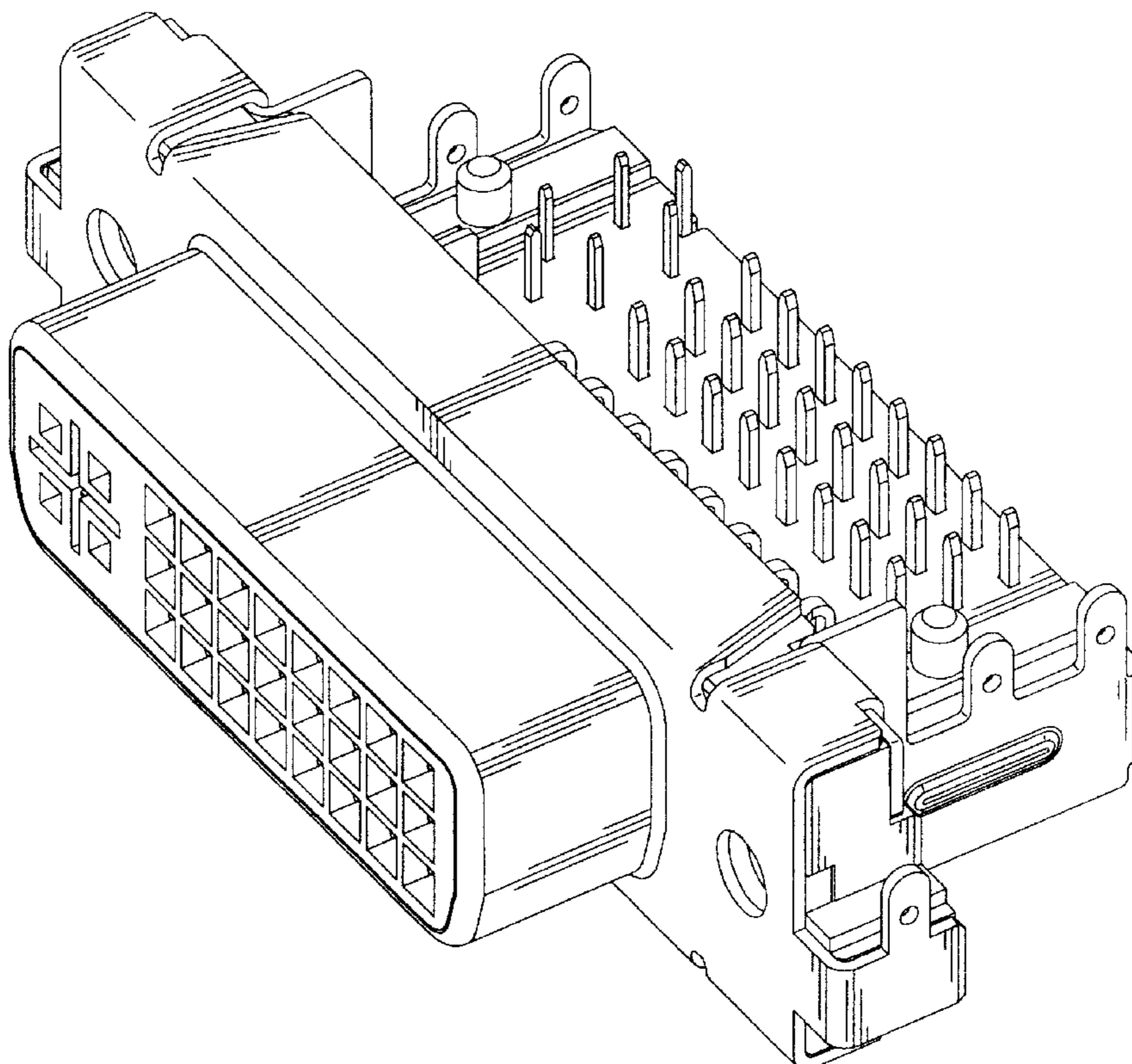
(57) **CLAIM**

The ornamental design for an electrical connector, as shown.

DESCRIPTION

FIG. 1 is a front, bottom and left side perspective view of an electrical connector showing our new design;
 FIG. 2 is a front elevational view of FIG. 1;
 FIG. 3 is a rear elevational view of FIG. 1;
 FIG. 4 is a left side elevational view of FIG. 1;
 FIG. 5 is a right side elevational view of FIG. 1;
 FIG. 6 is a top plan view of FIG. 1;
 FIG. 7 is a bottom plan view of FIG. 1;
 FIG. 8 is a front, top and left side perspective view of the electrical connector; and,
 FIG. 9 is a rear, bottom and right side perspective view of the electrical connector.

1 Claim, 9 Drawing Sheets



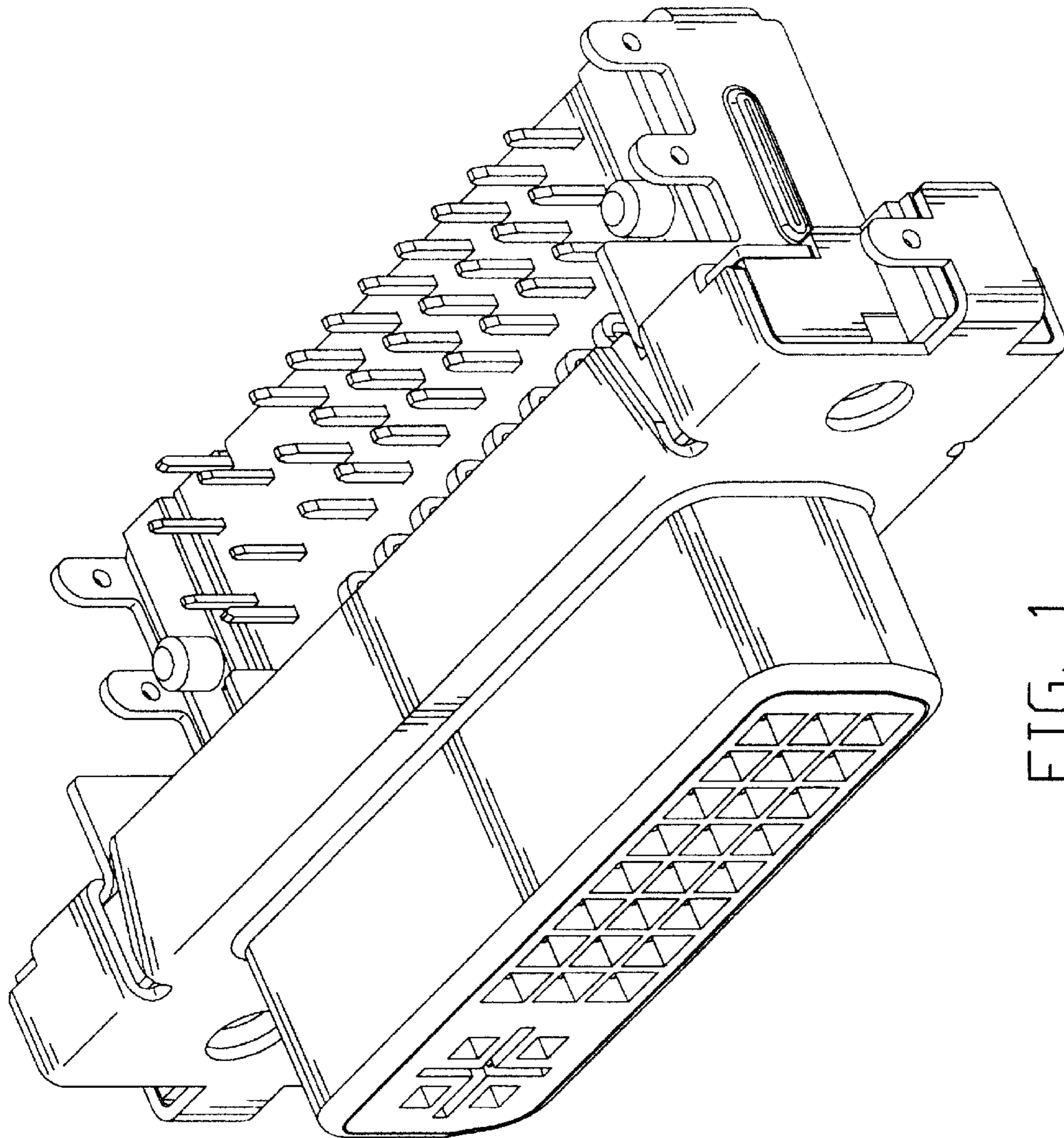


FIG. 1

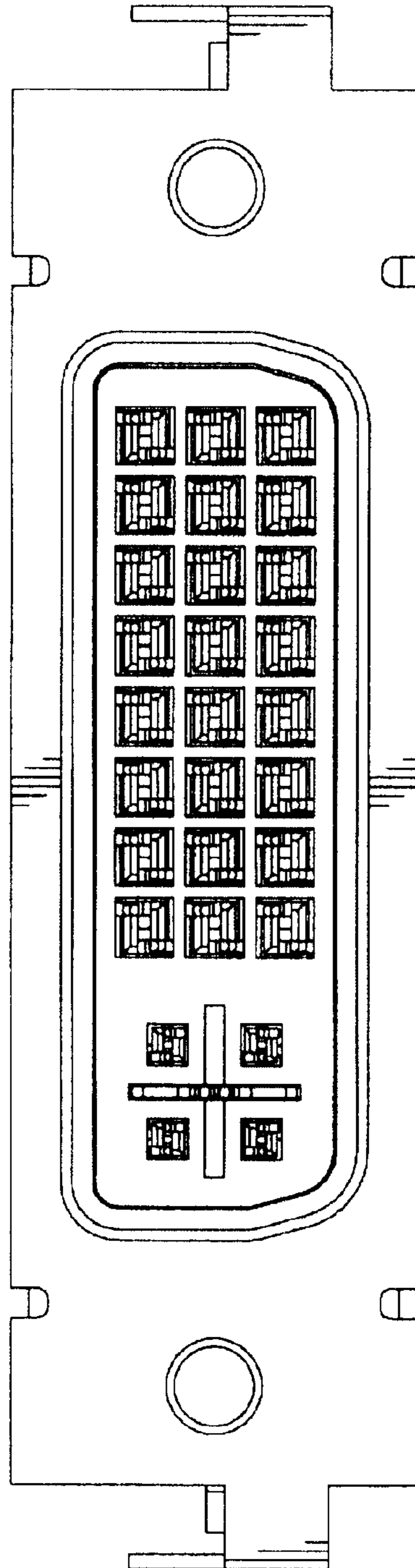


FIG. 2

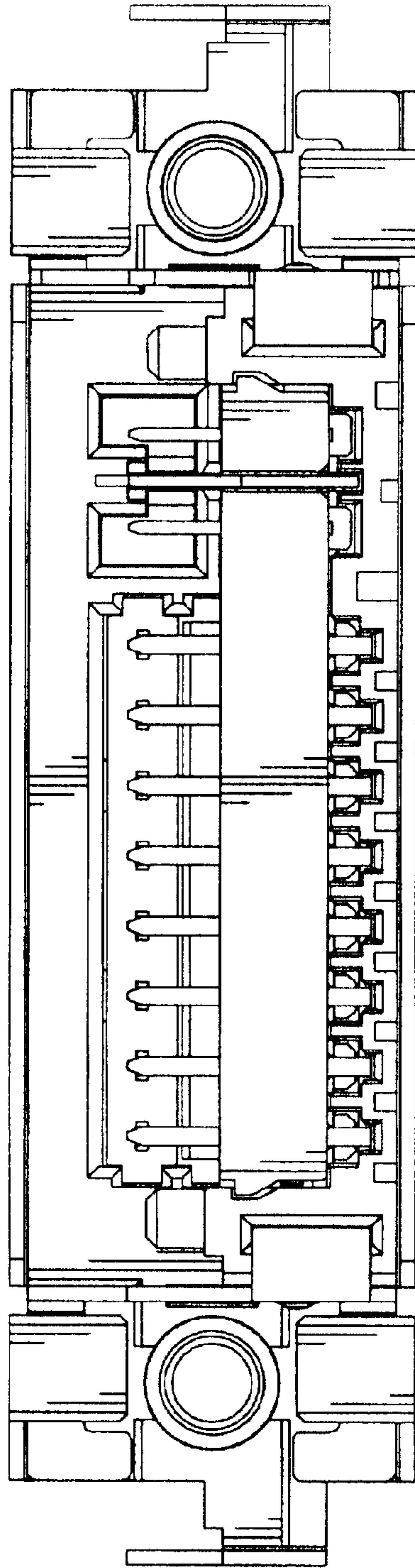


FIG. 3

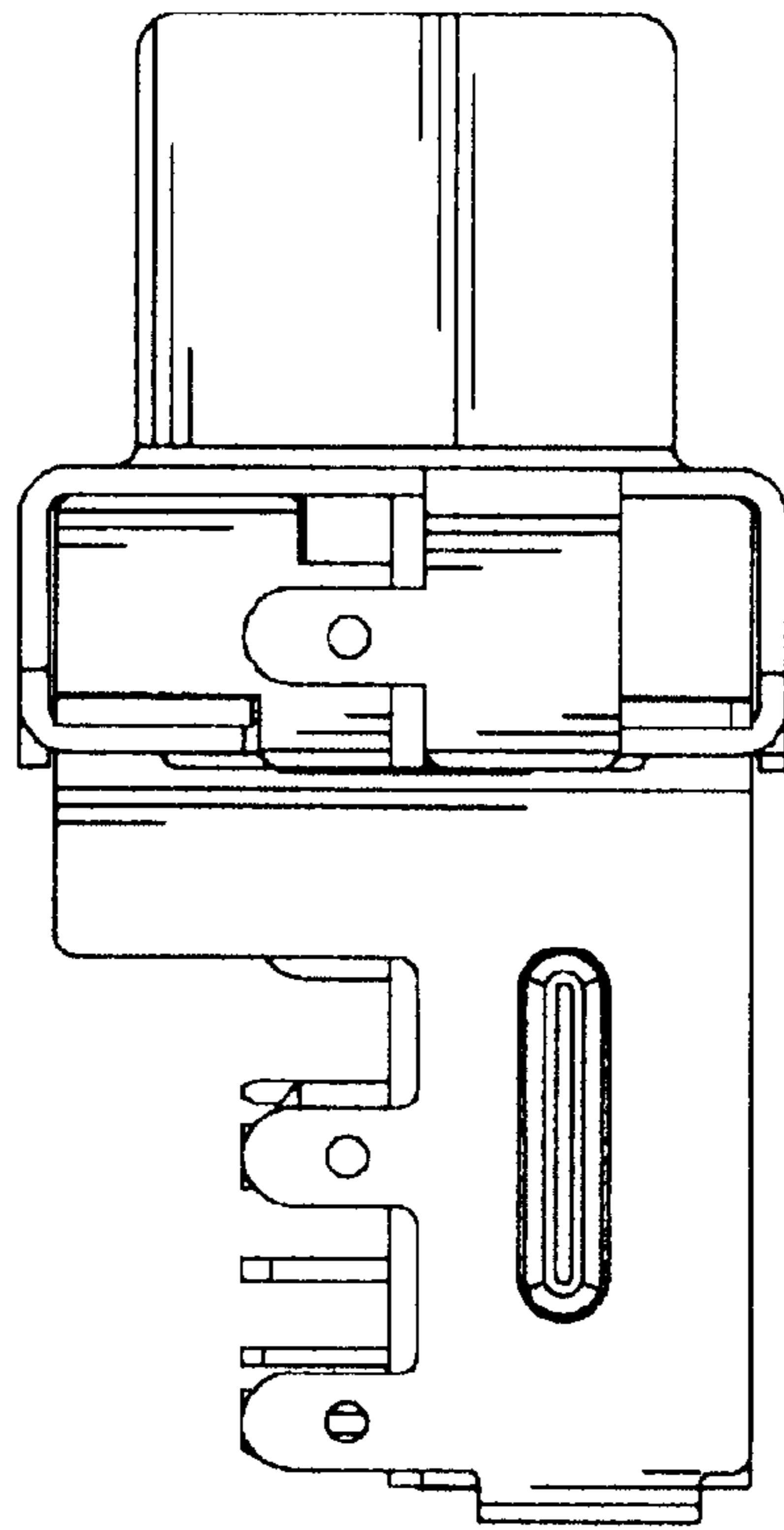


FIG. 4

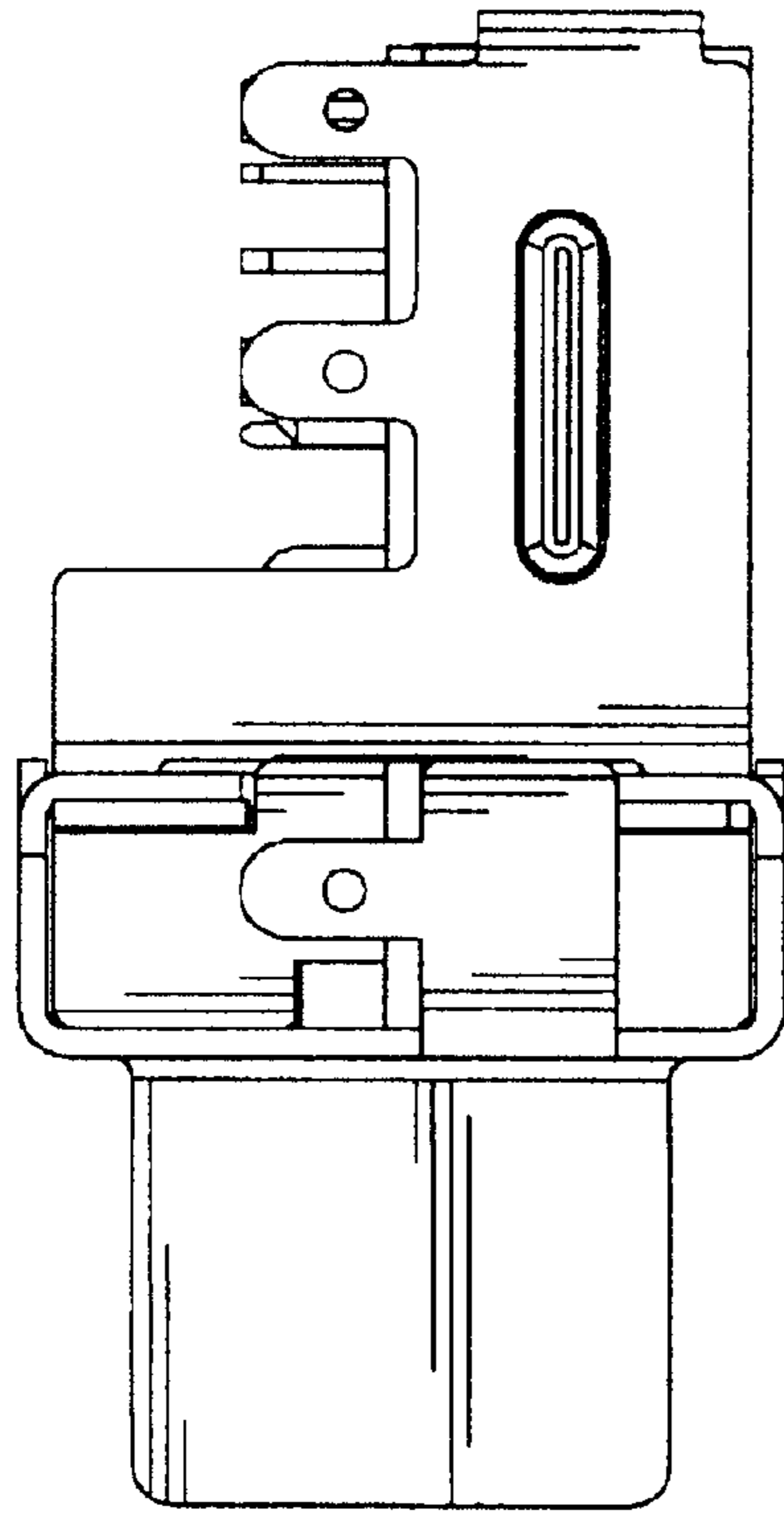


FIG. 5

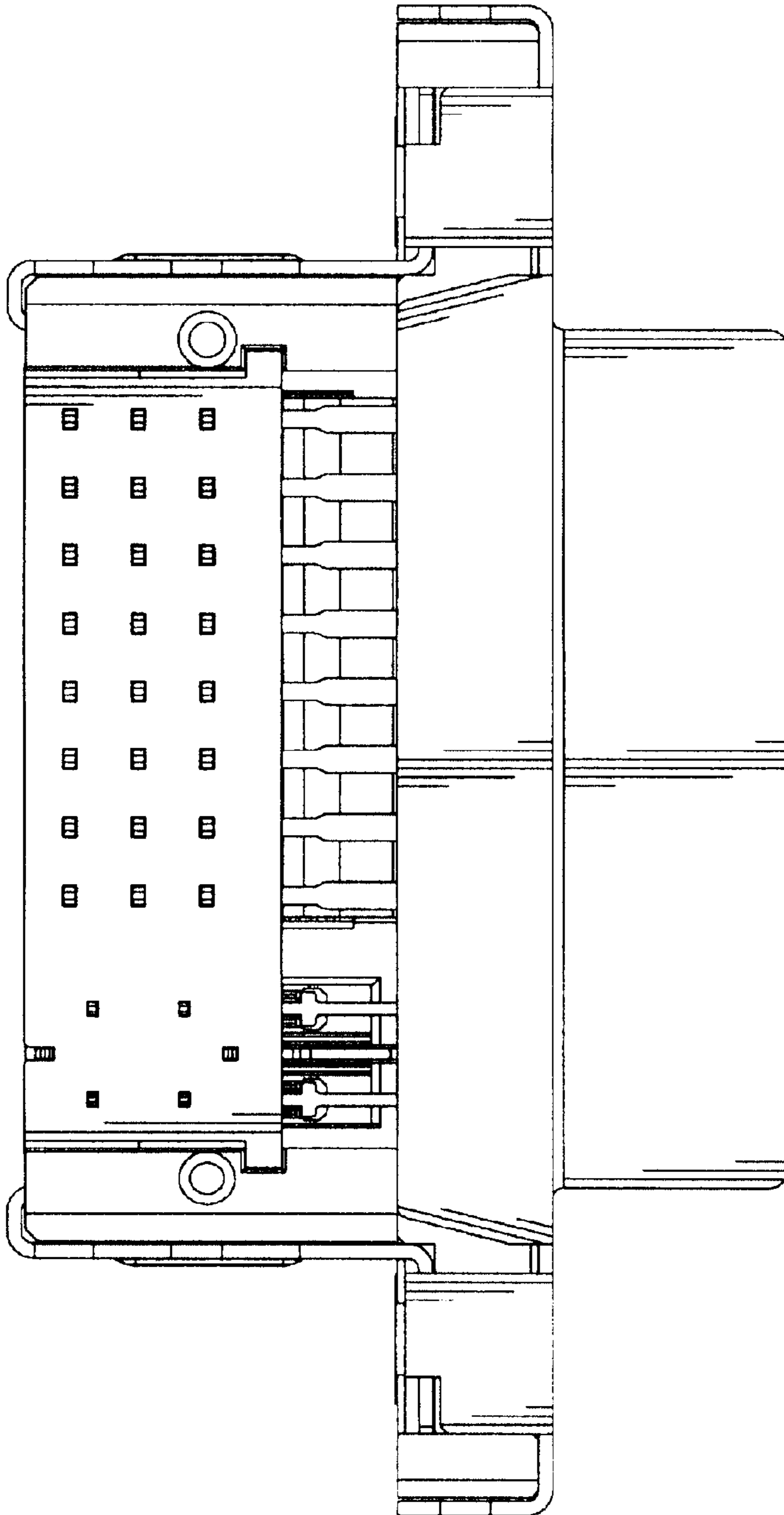


FIG. 6

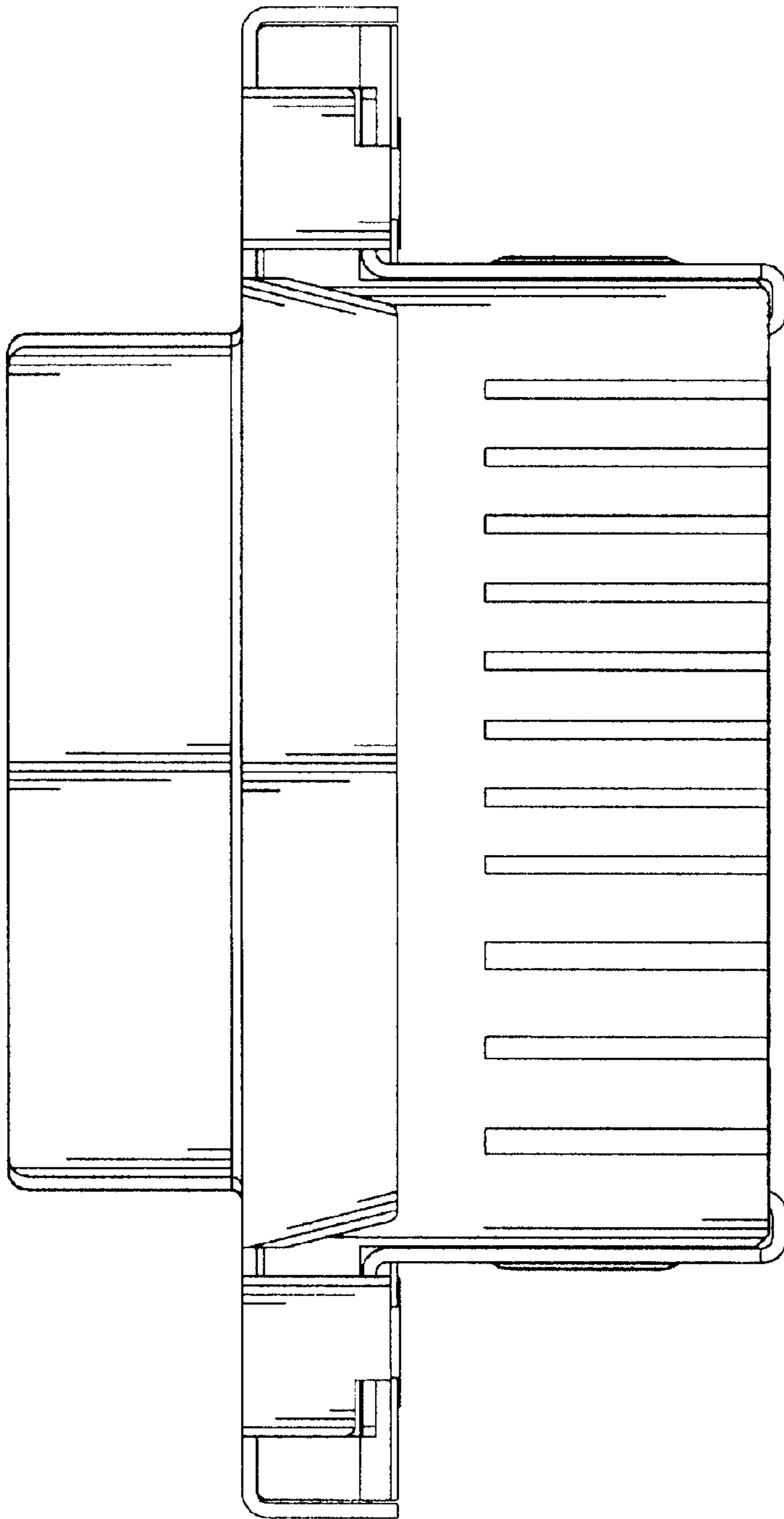


FIG. 7

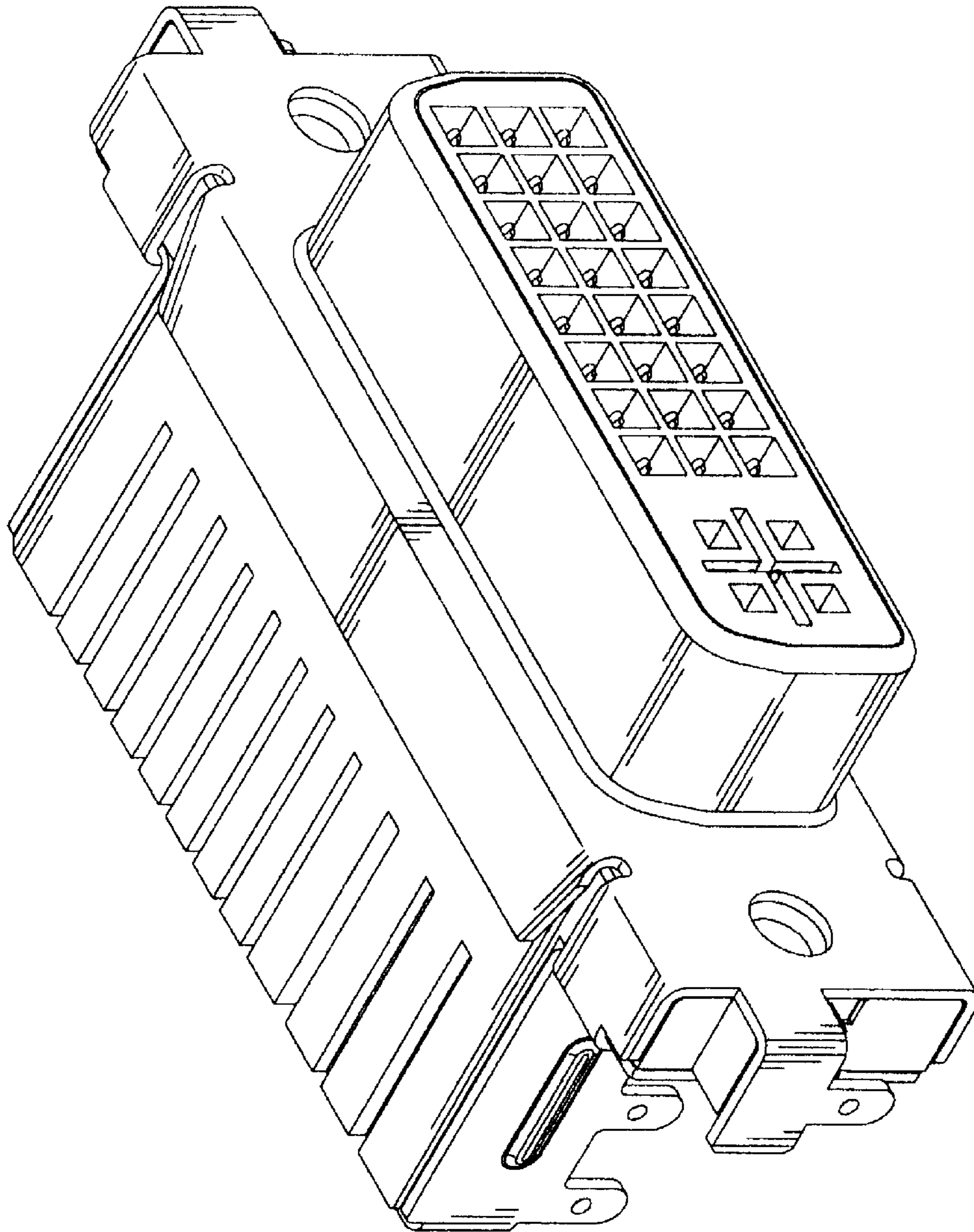


FIG. 8

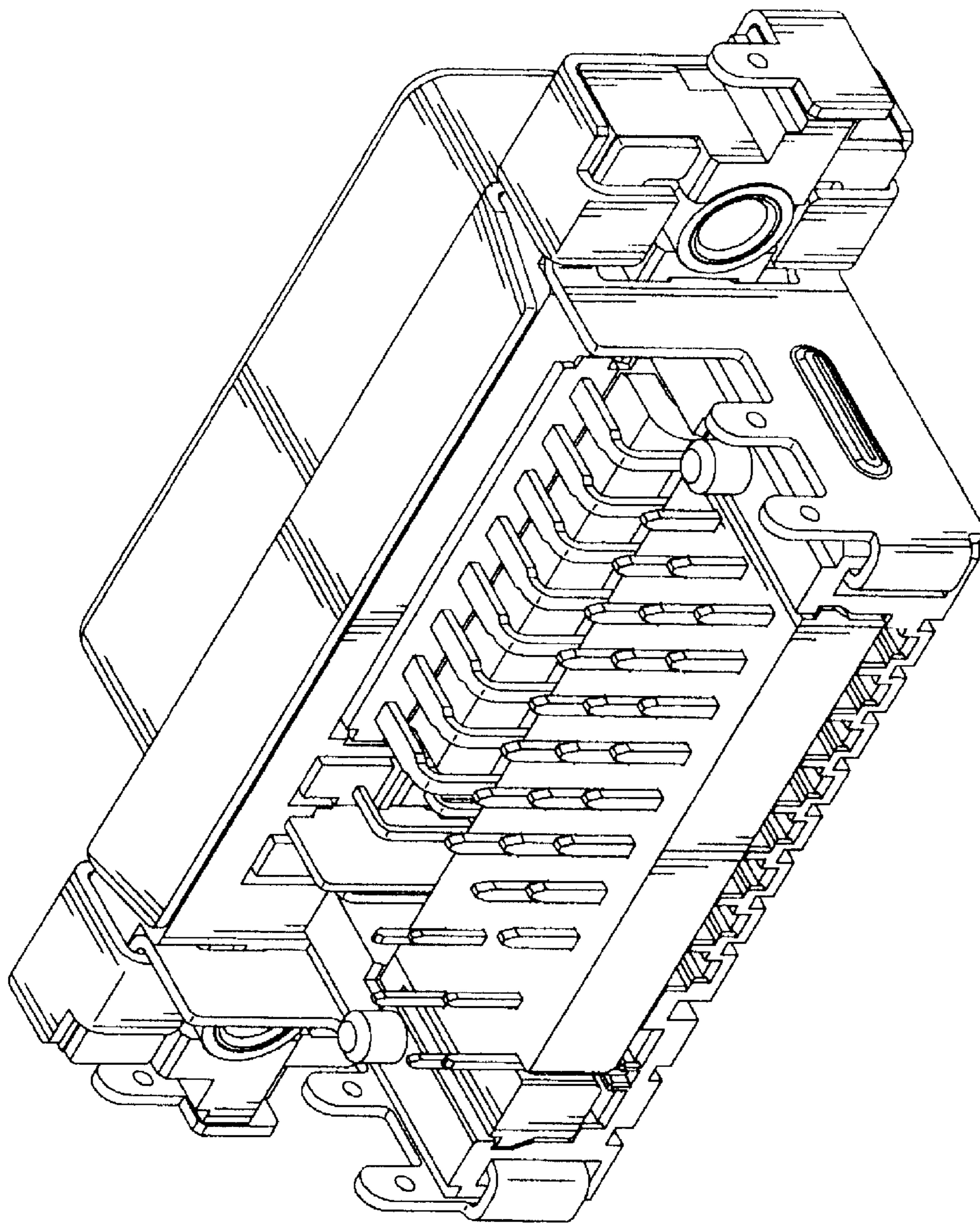


FIG. 9