



US00D478551S

(12) **United States Design Patent**
Zhang et al.

(10) **Patent No.:** **US D478,551 S**

(45) **Date of Patent:** **** Aug. 19, 2003**

(54) **ELECTRICAL CONNECTOR**

(75) Inventors: **Yong Zhang**, Kunsan (CN); **ZiQiang Zhu**, Kunsan (CN)

(73) Assignee: **Hon Hai Precision Ind. Co., Ltd.**,
Taipei Hsien (TW)

(**) Term: **14 Years**

(21) Appl. No.: **29/158,935**

(22) Filed: **Apr. 12, 2002**

(30) **Foreign Application Priority Data**

Mar. 29, 2002 (TW) 91301388

(51) **LOC (7) Cl.** **13-03**

(52) **U.S. Cl.** **D13/147**

(58) **Field of Search** D13/146, 147,
D13/154; 439/79, 108, 607, 610

(56) **References Cited**

U.S. PATENT DOCUMENTS

D391,551 S * 3/1998 Ono D13/147
D431,530 S * 10/2000 Nishio et al. D13/147
6,168,466 B1 * 1/2001 Chiou 439/607

6,179,661 B1 * 1/2001 Chiou 439/607
6,210,226 B1 * 4/2001 Zhu et al. 439/607
6,299,486 B1 * 10/2001 Morikawa et al. 439/610
D462,326 S * 9/2002 Okamoto D13/147
6,447,311 B1 * 9/2002 Hu et al. 439/108
D465,457 S * 11/2002 Hu et al. D13/147
D466,082 S * 11/2002 Hu et al. D13/147
6,482,037 B1 * 11/2002 Zhu et al. 439/607

* cited by examiner

Primary Examiner—Joel Sincavage

(74) *Attorney, Agent, or Firm*—Wei Te Chung

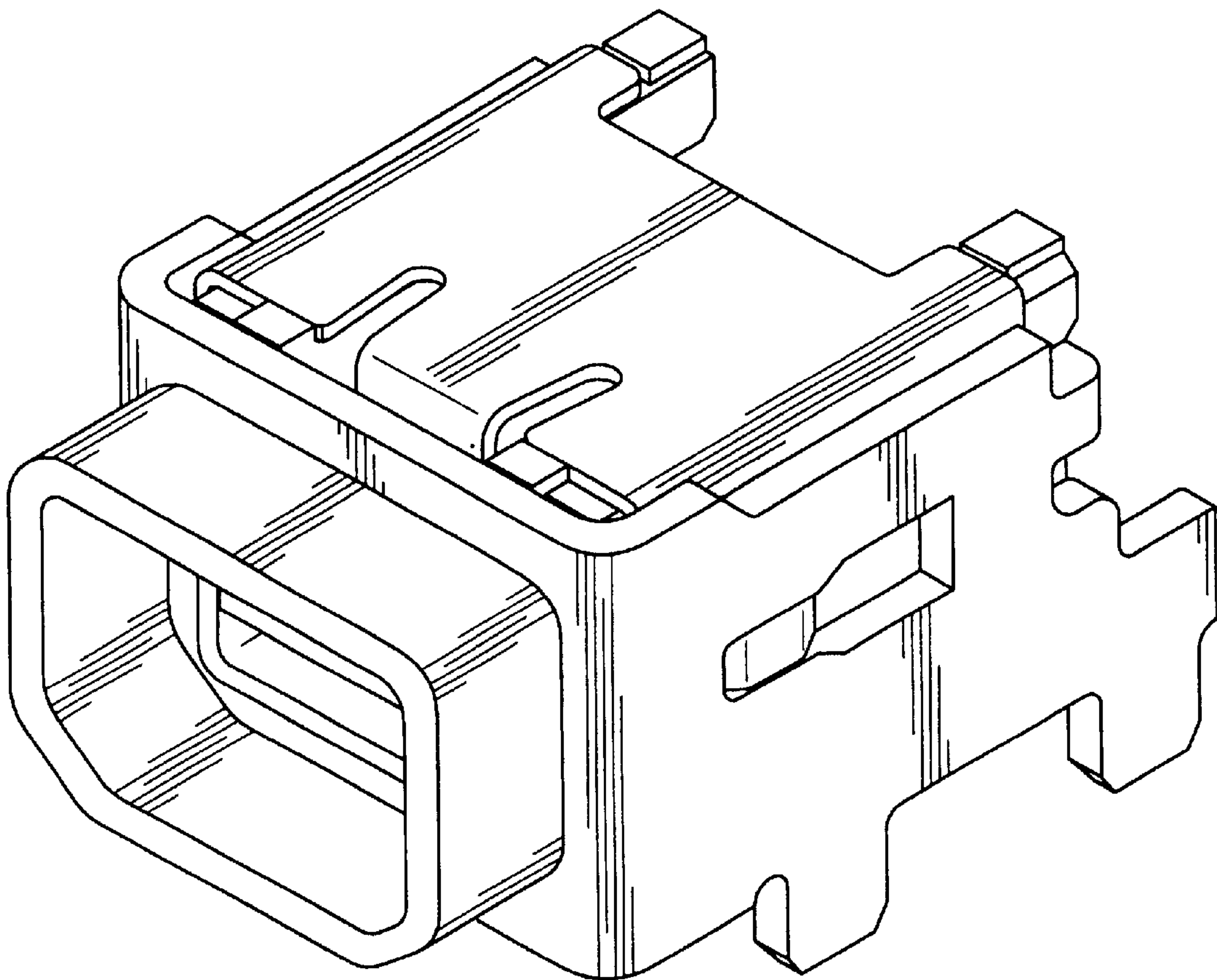
(57) **CLAIM**

The ornamental design for an electrical connector, as shown.

DESCRIPTION

FIG. 1 is a front, top and right side perspective view of an electrical connector showing our new design; FIG. 2 is a front elevational view thereof; FIG. 3 is a rear elevational view thereof; FIG. 4 is a left side elevational view thereof; FIG. 5 is a right side elevational view thereof; FIG. 6 is a top plan view thereof; and, FIG. 7 is a bottom plan view thereof.

1 Claim, 7 Drawing Sheets



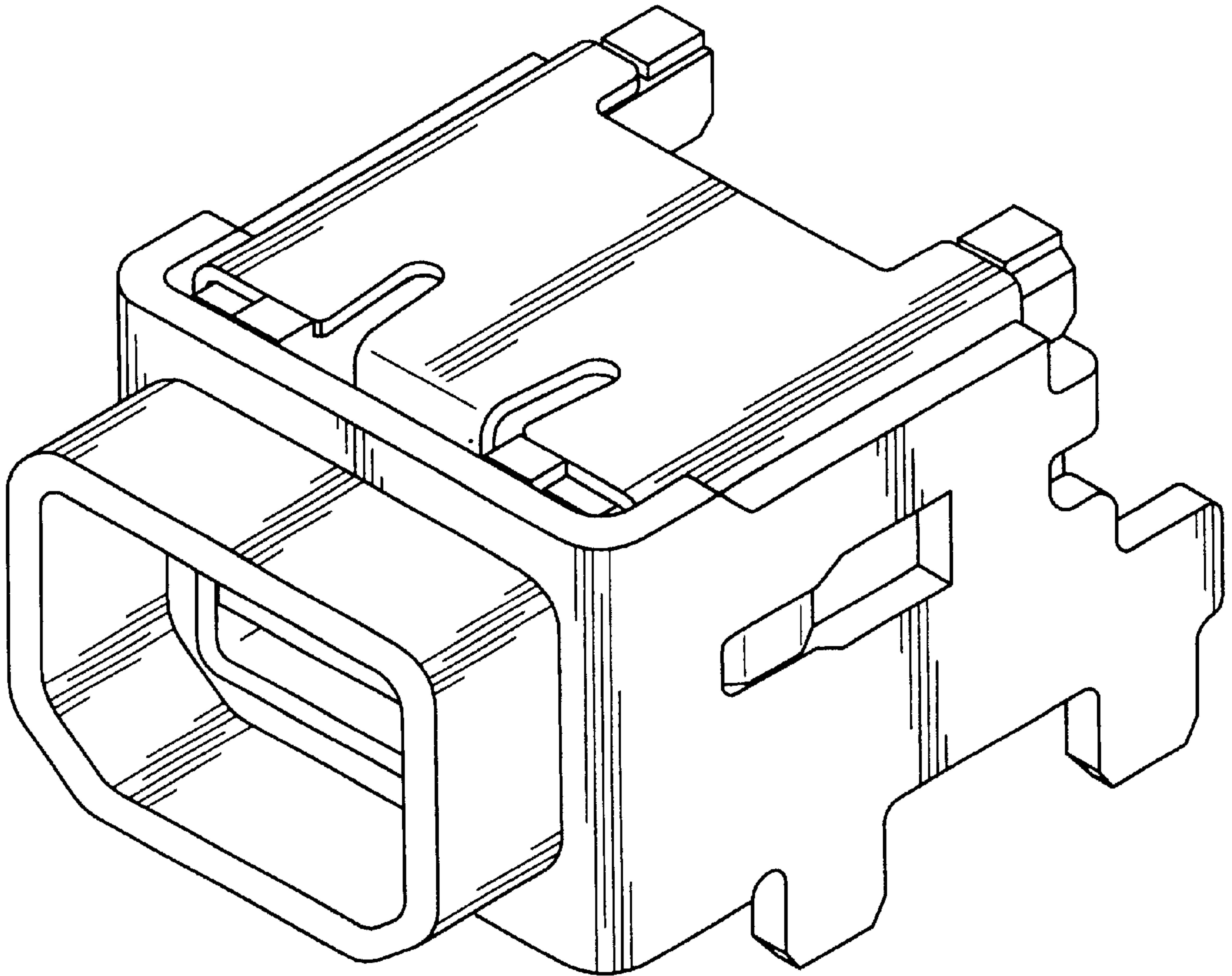


FIG. 1

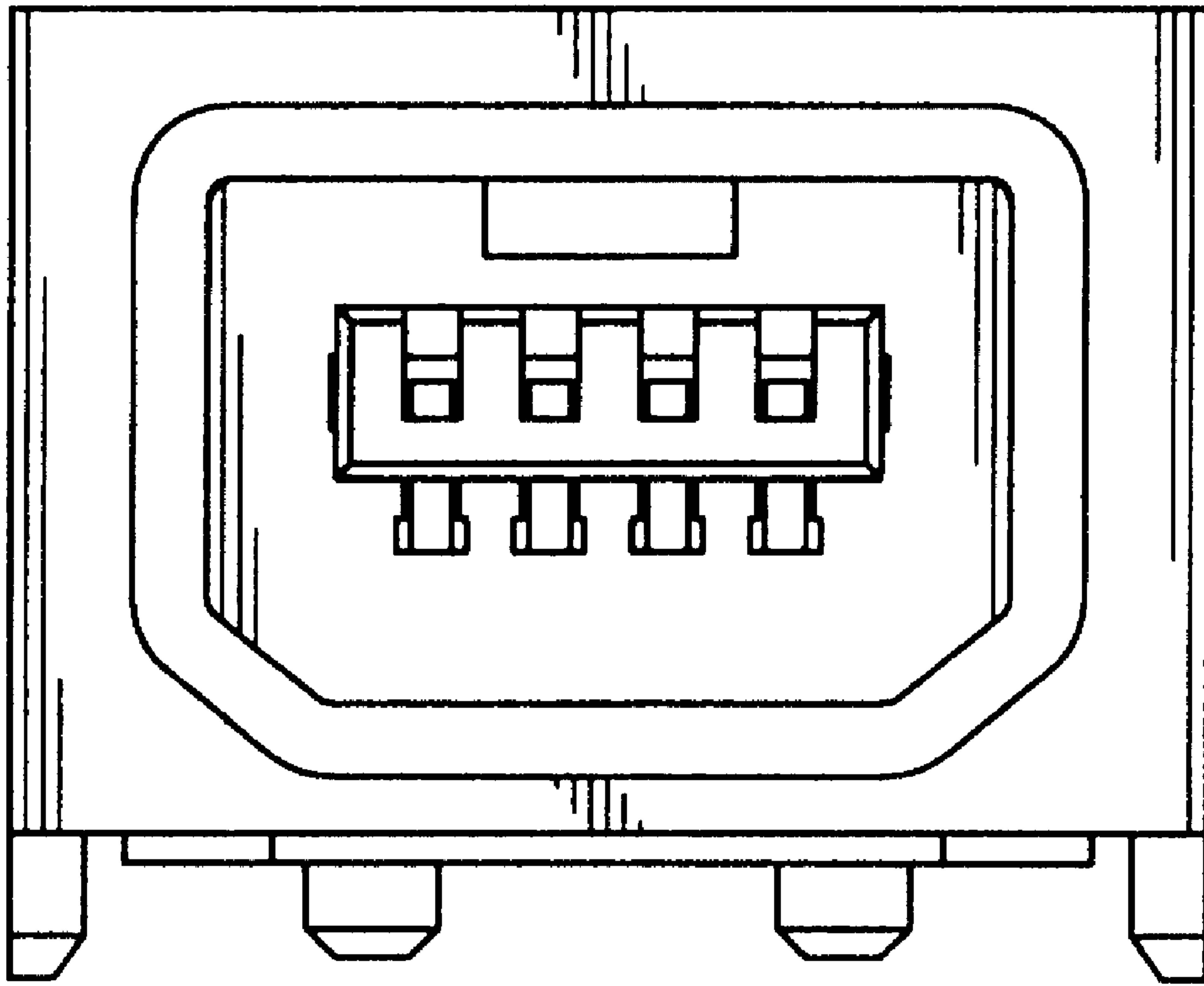


FIG. 2

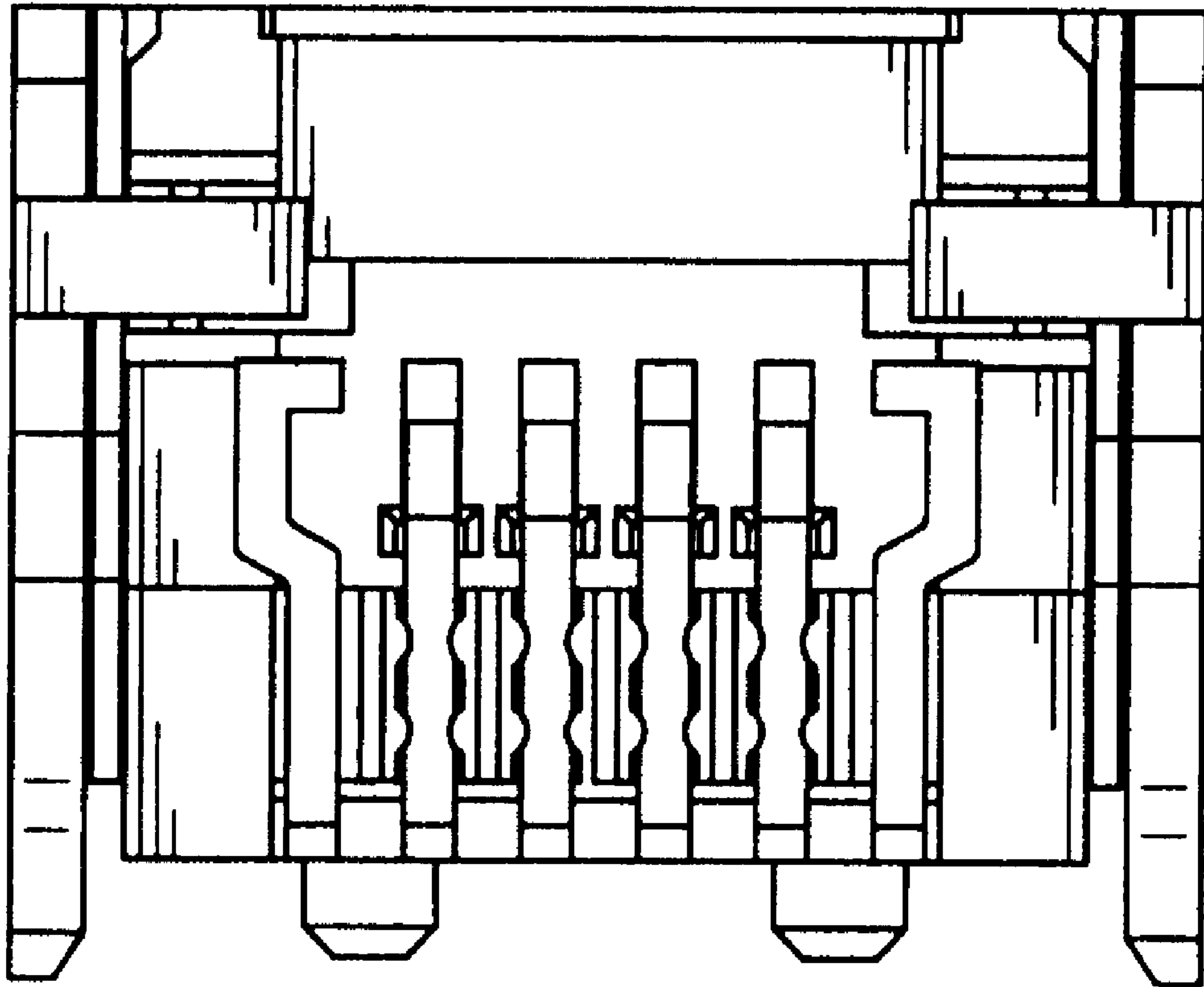


FIG. 3

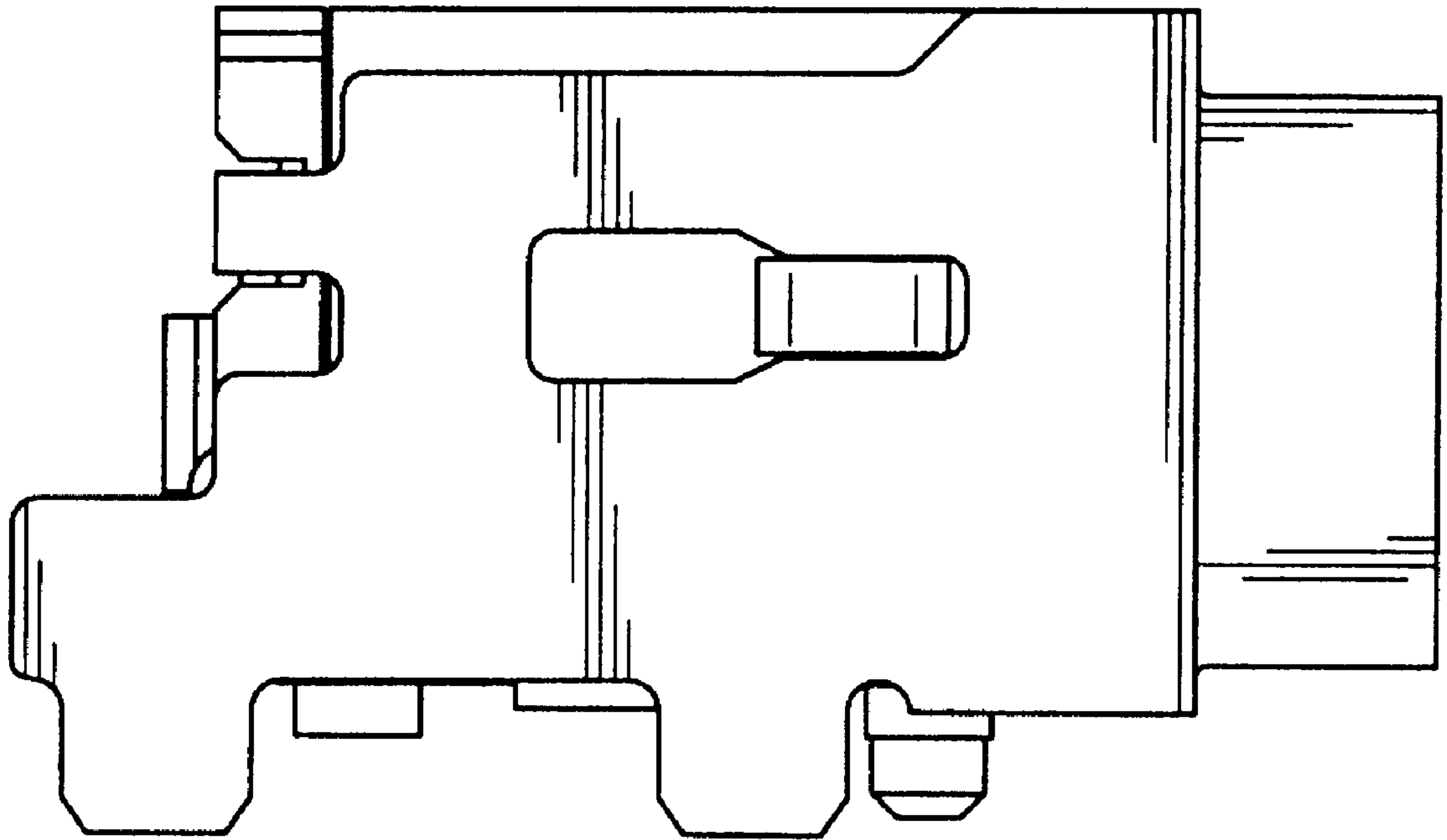


FIG. 4

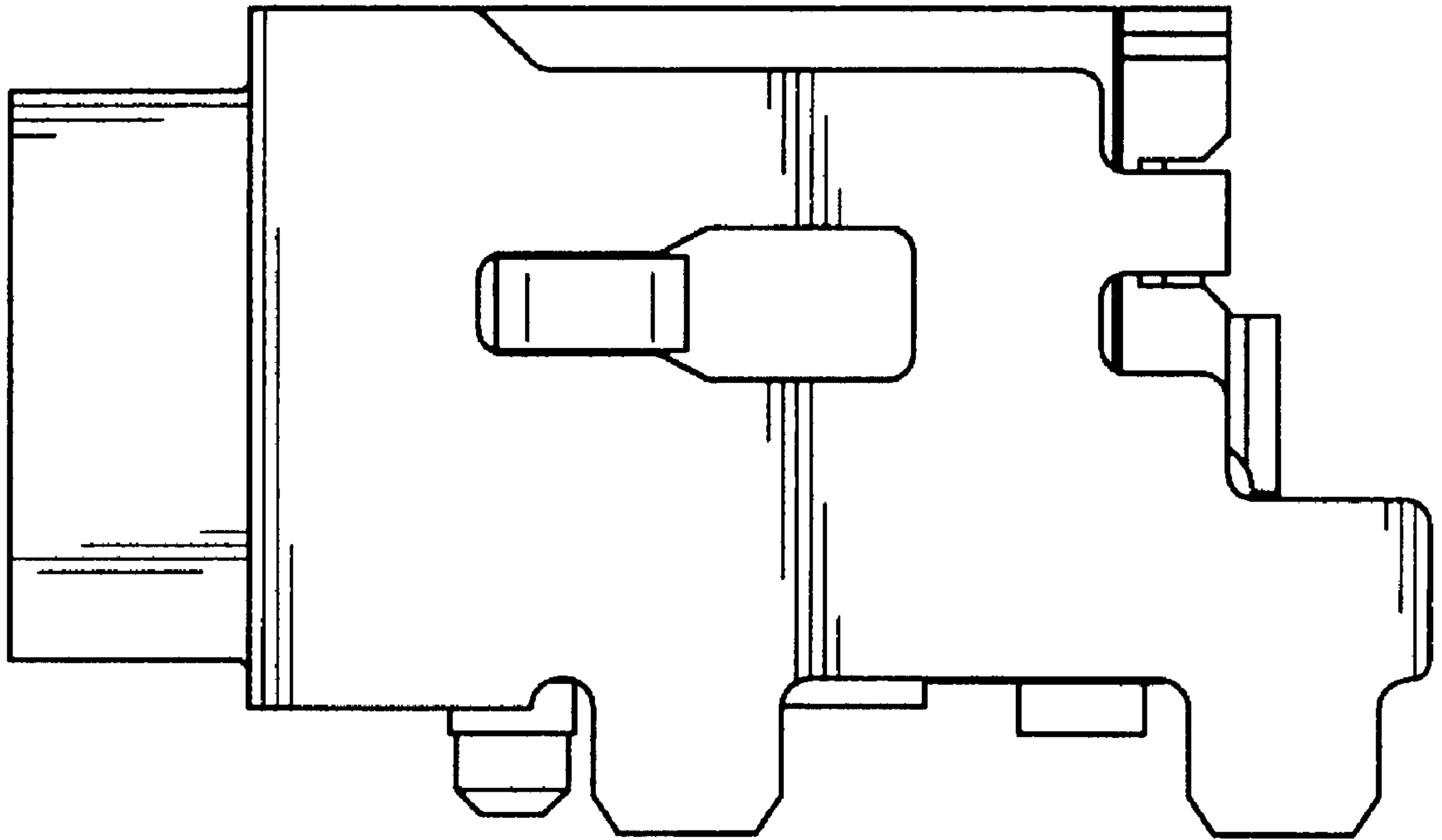


FIG. 5

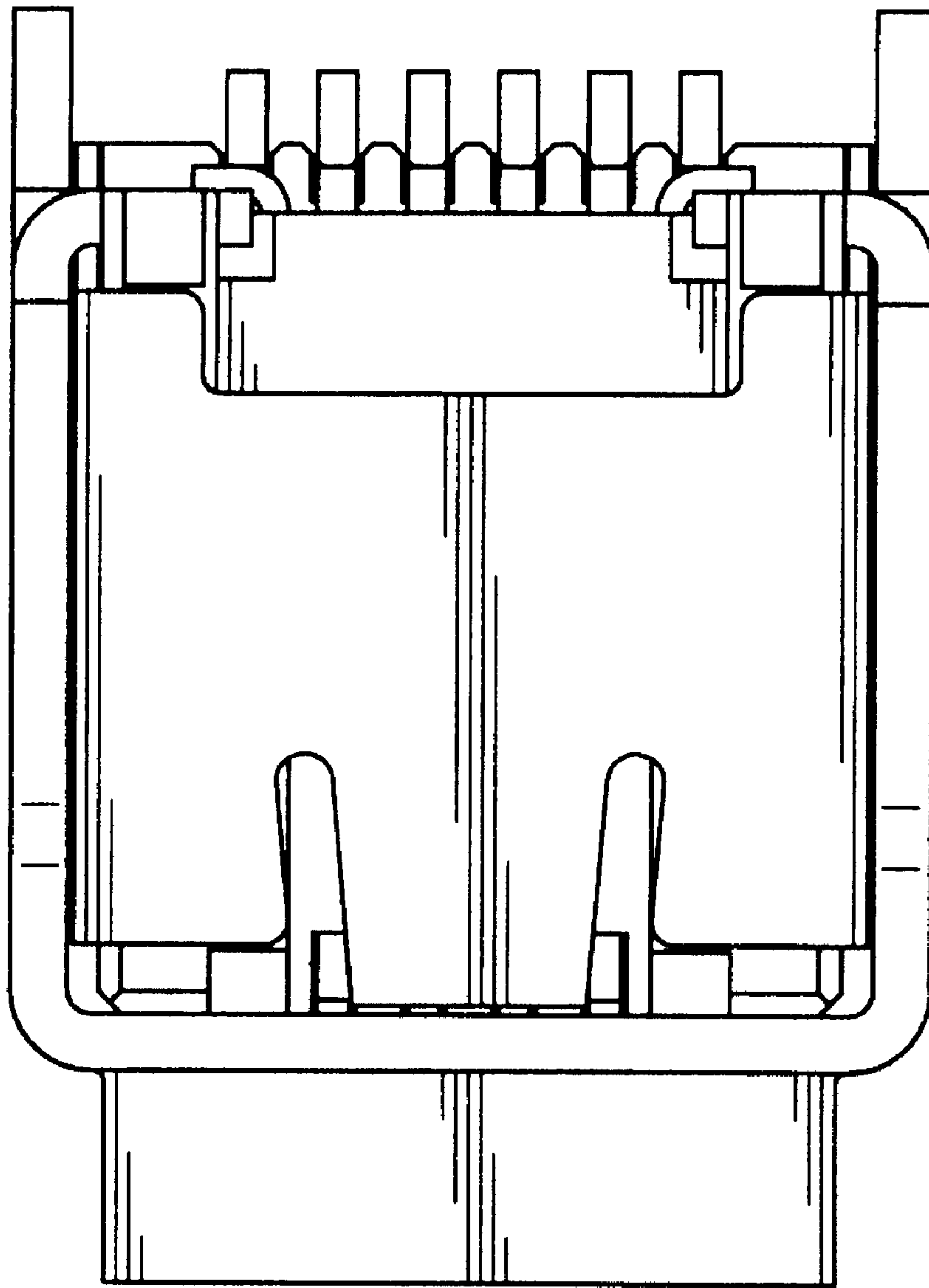


FIG. 6

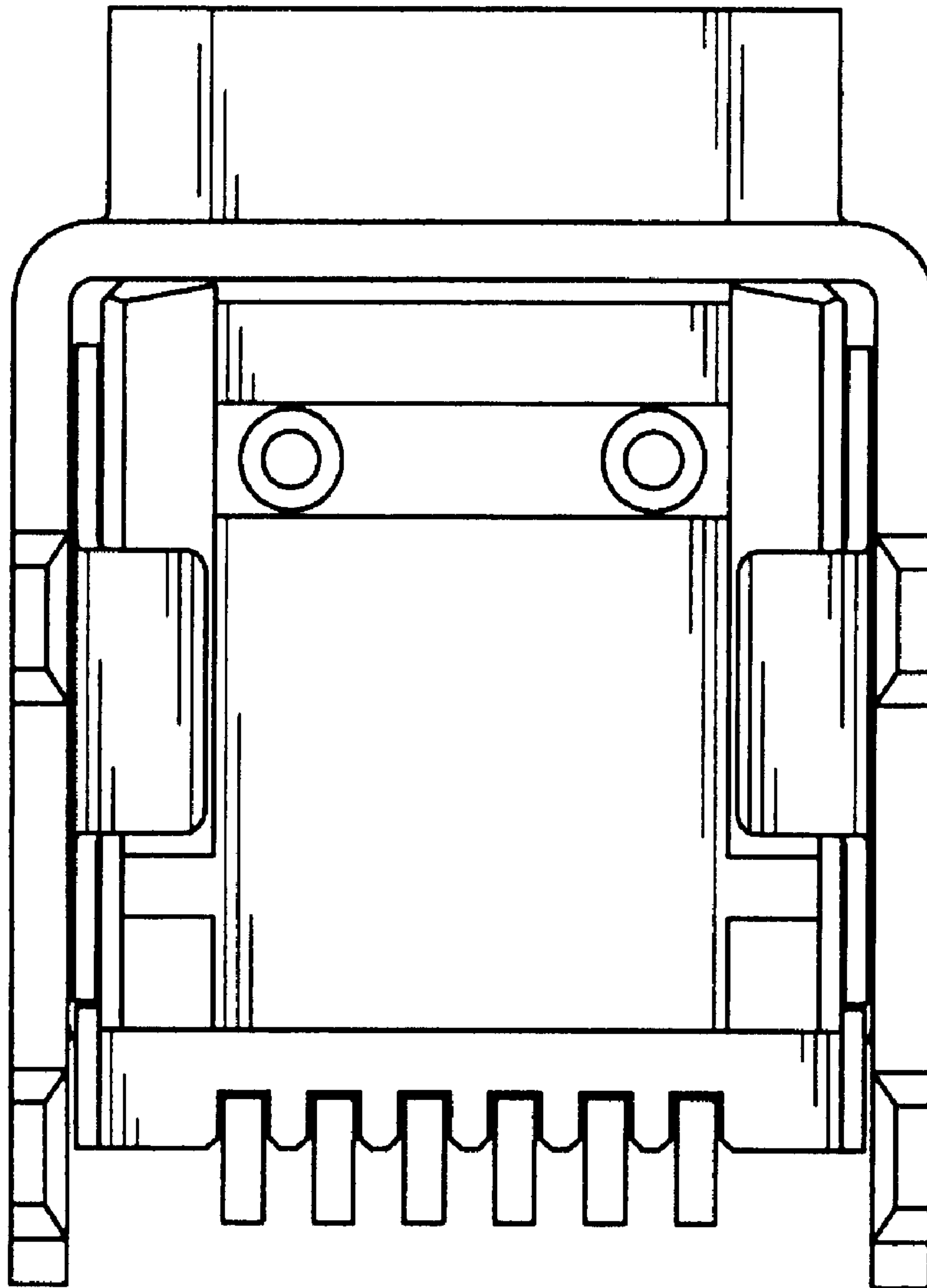


FIG. 7