



US00D478550S

(12) **United States Design Patent**
Garver

(10) **Patent No.:** **US D478,550 S**

(45) **Date of Patent:** **** Aug. 19, 2003**

(54) **CONVOLUTED TUBE OVERMOLD ON A
DIN CONNECTOR**

D471,157 S * 3/2003 Harvey D13/146

* cited by examiner

(75) Inventor: **Scott A. Garver**, Fort Wayne, IN (US)

Primary Examiner—Joel Sincavage

(73) Assignee: **Lyall Assemblies, Inc.**, Albion, IN (US)

(74) *Attorney, Agent, or Firm*—Taylor & Aust, P.C.

(**) Term: **14 Years**

(57) **CLAIM**

(21) Appl. No.: **29/163,000**

The ornamental design for a convoluted tube overmold on a din connector, as shown and described.

(22) Filed: **Jun. 25, 2002**

DESCRIPTION

(51) **LOC (7) Cl.** **13-03**

(52) **U.S. Cl.** **D13/146**

(58) **Field of Search** D13/133, 146,
D13/147; 439/660, 845, 849, 850, 680

FIG. 1 is a perspective view of a convoluted tube overmold on a din connector showing my new design;

FIG. 2 is an end view thereof;

FIG. 3 is an opposite end view thereof;

FIG. 4 is a side view thereof, the opposite side being a mirror image;

FIG. 5 is a top view thereof; and,

FIG. 6 is a bottom view thereof.

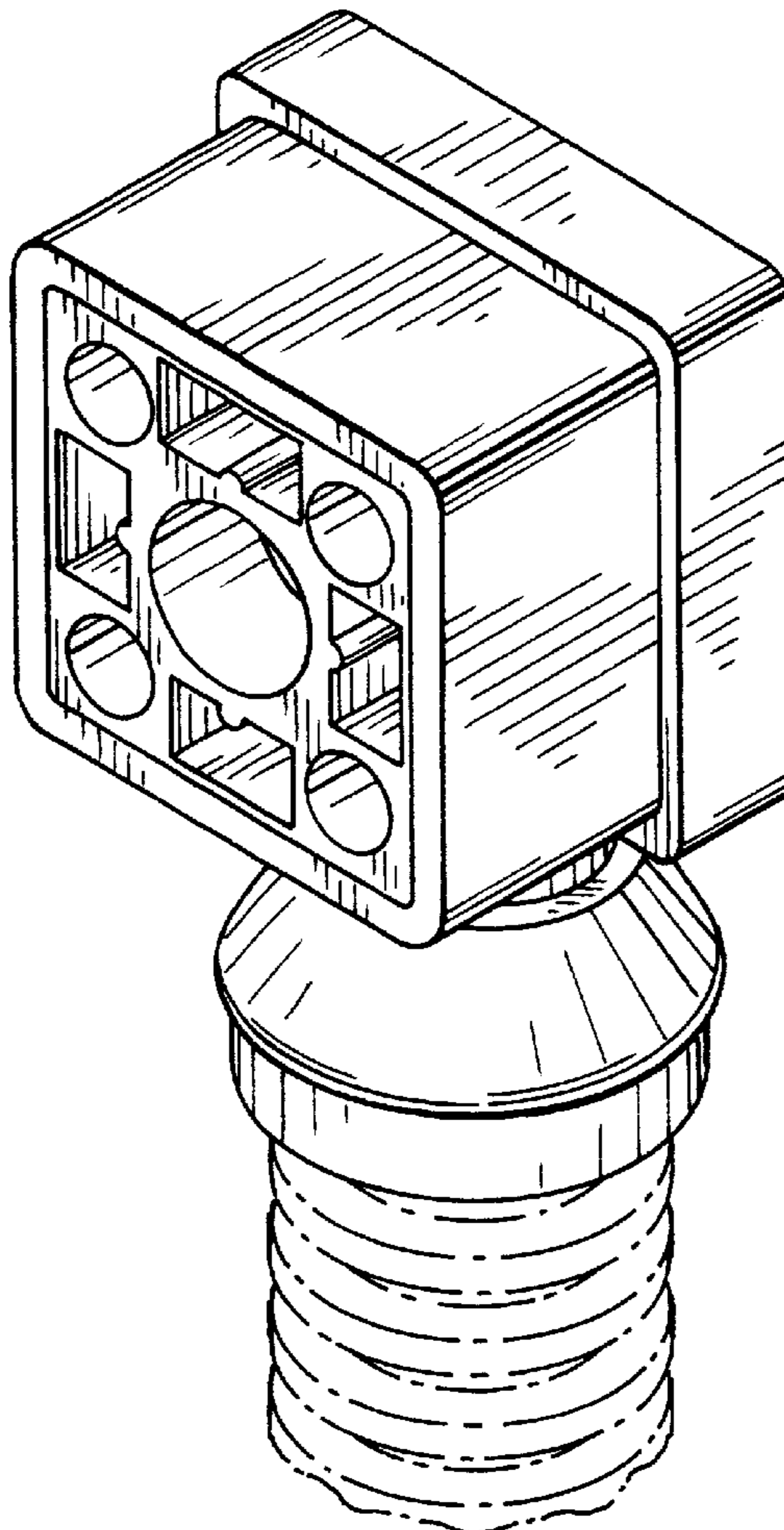
(56) **References Cited**

U.S. PATENT DOCUMENTS

3,771,108	A	*	11/1973	Haffner et al.	439/488
4,167,299	A	*	9/1979	Noguchi	439/586
D314,750	S	*	2/1991	Wegrzyn et al.	D13/146
5,295,870	A	*	3/1994	Rei et al.	439/717
D352,685	S	*	11/1994	Issa	D13/146
6,191,672	B1	*	2/2001	Lages et al.	335/202

The broken lines in FIGS. 1-4 and 6 are included for the purpose of illustrating environmental structure only and form no part of the claimed design.

1 Claim, 2 Drawing Sheets



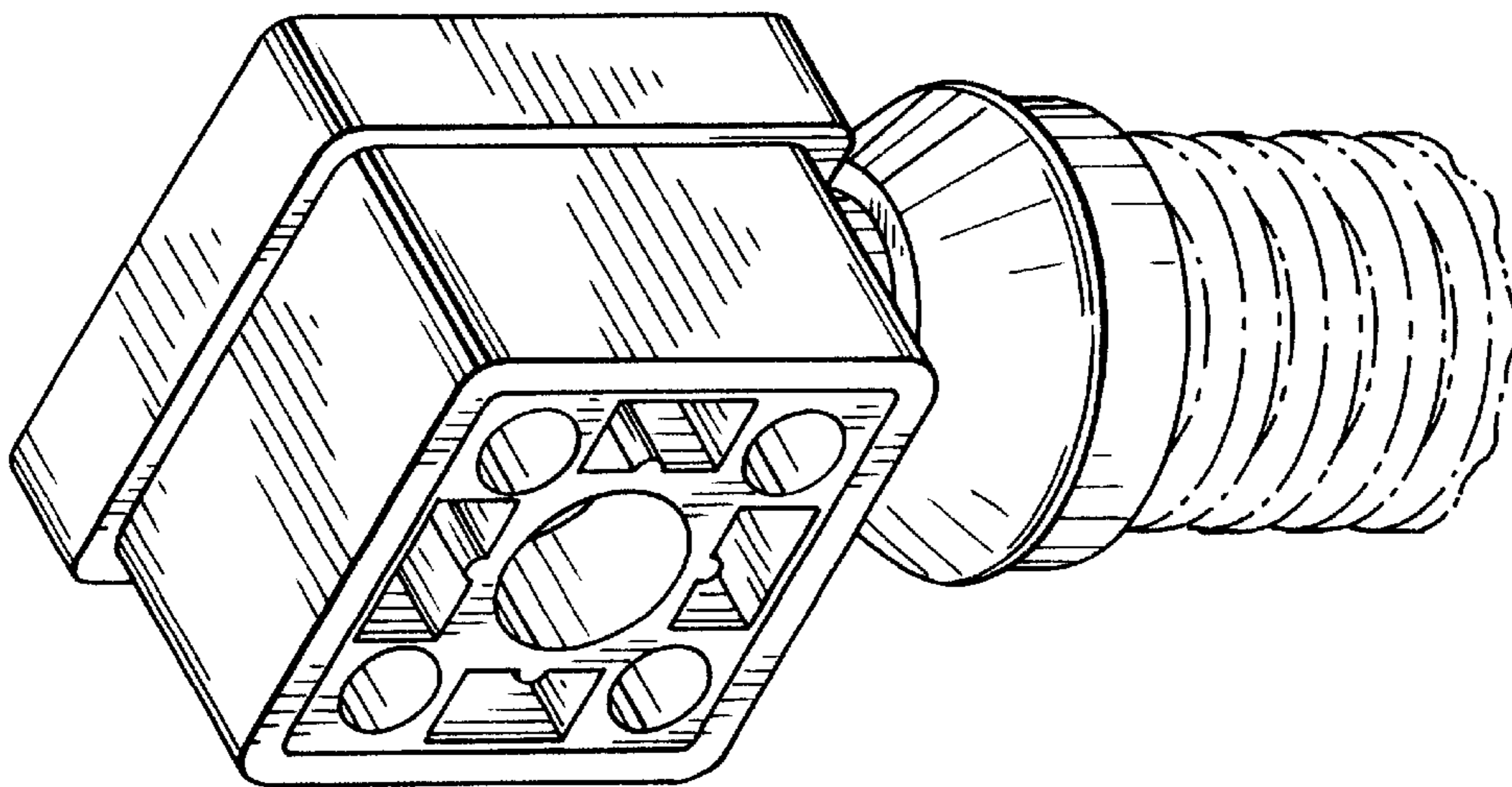


Fig. 1

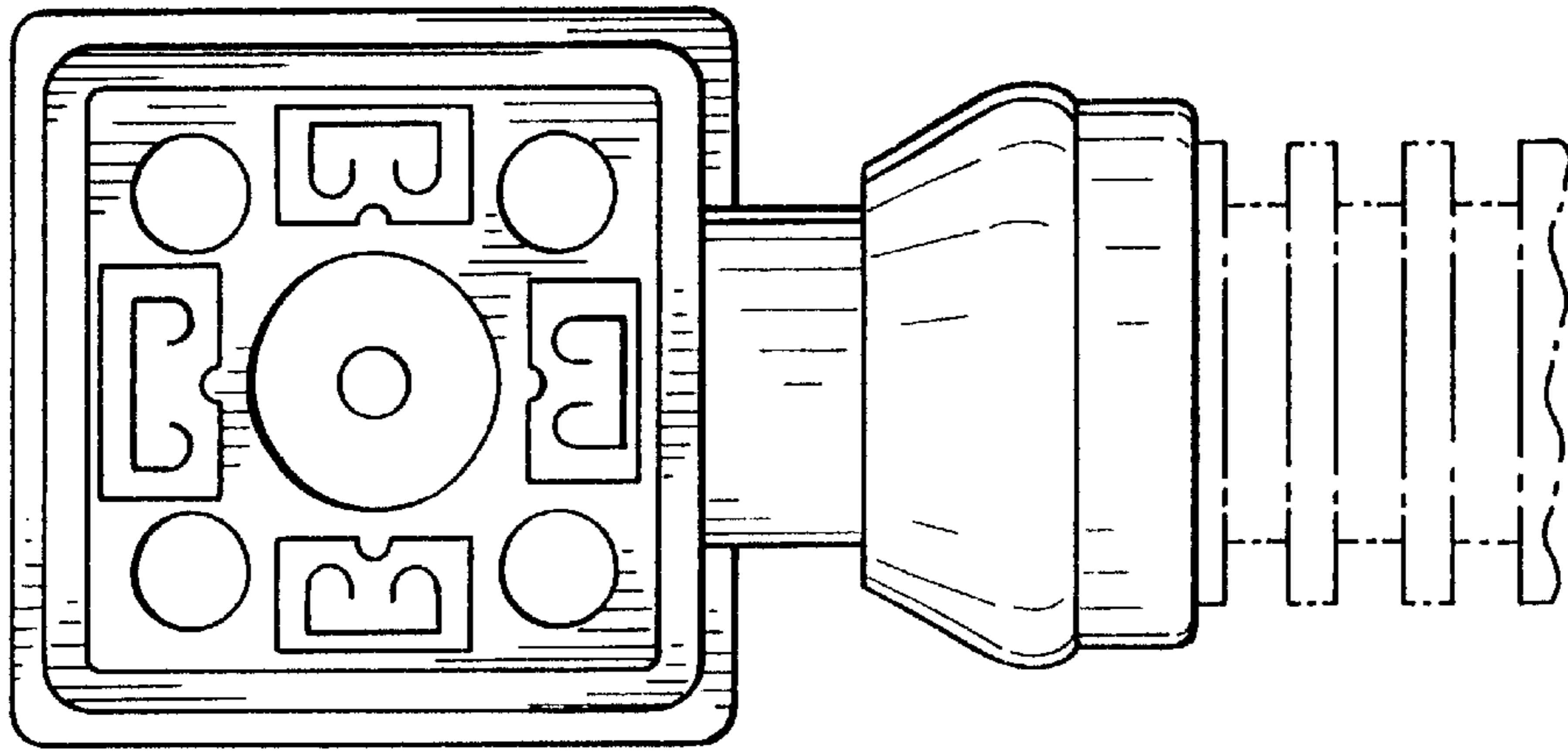


Fig. 2

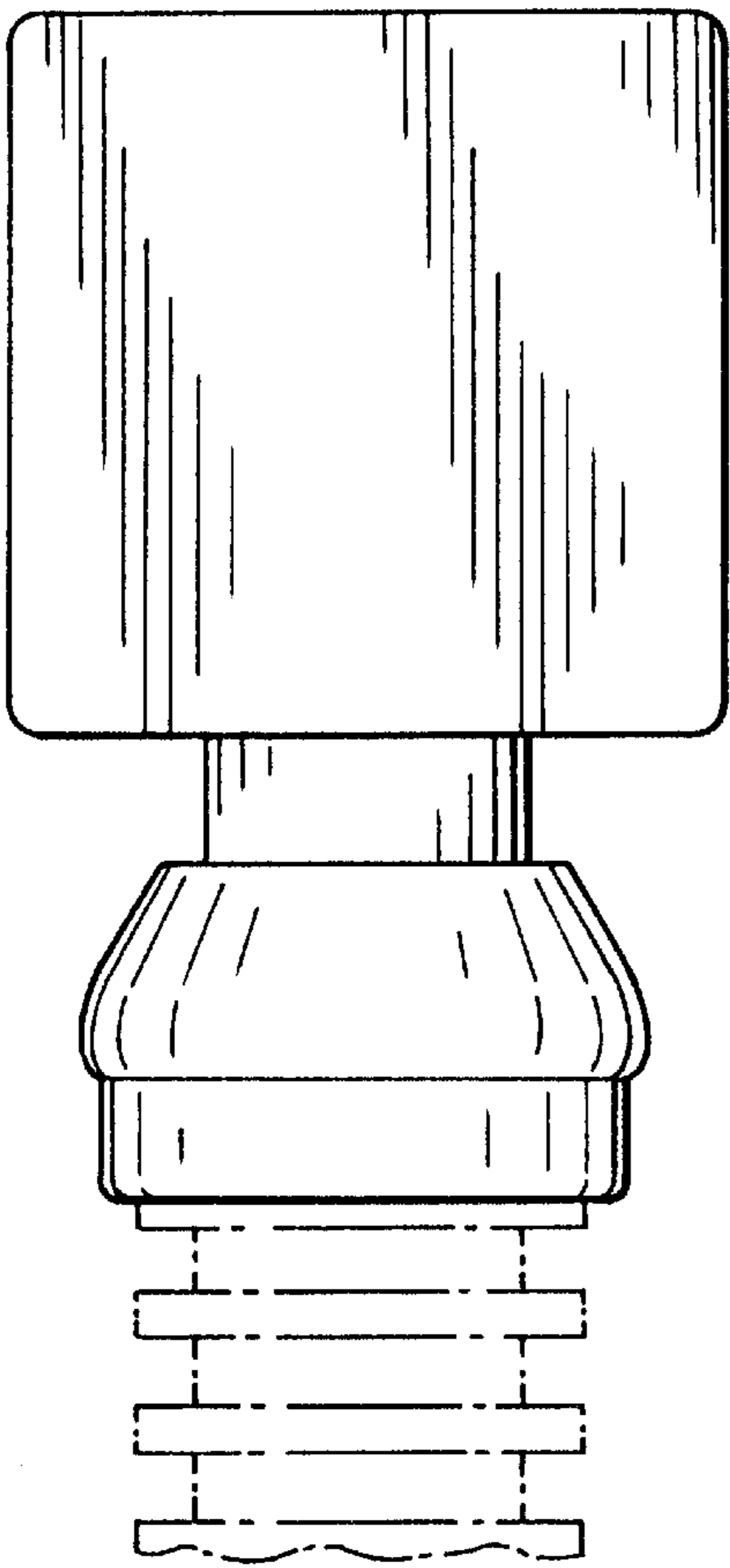


Fig. 3

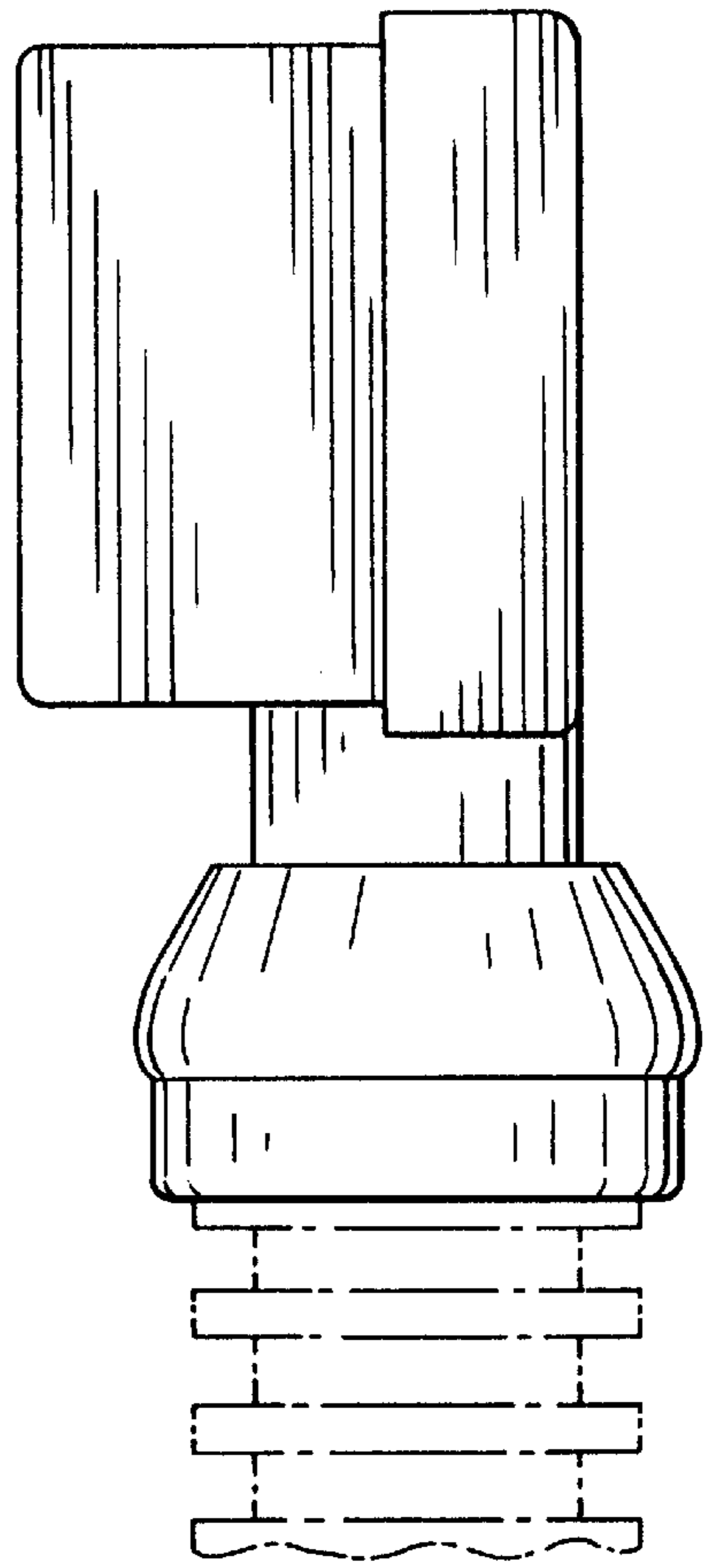


Fig. 4

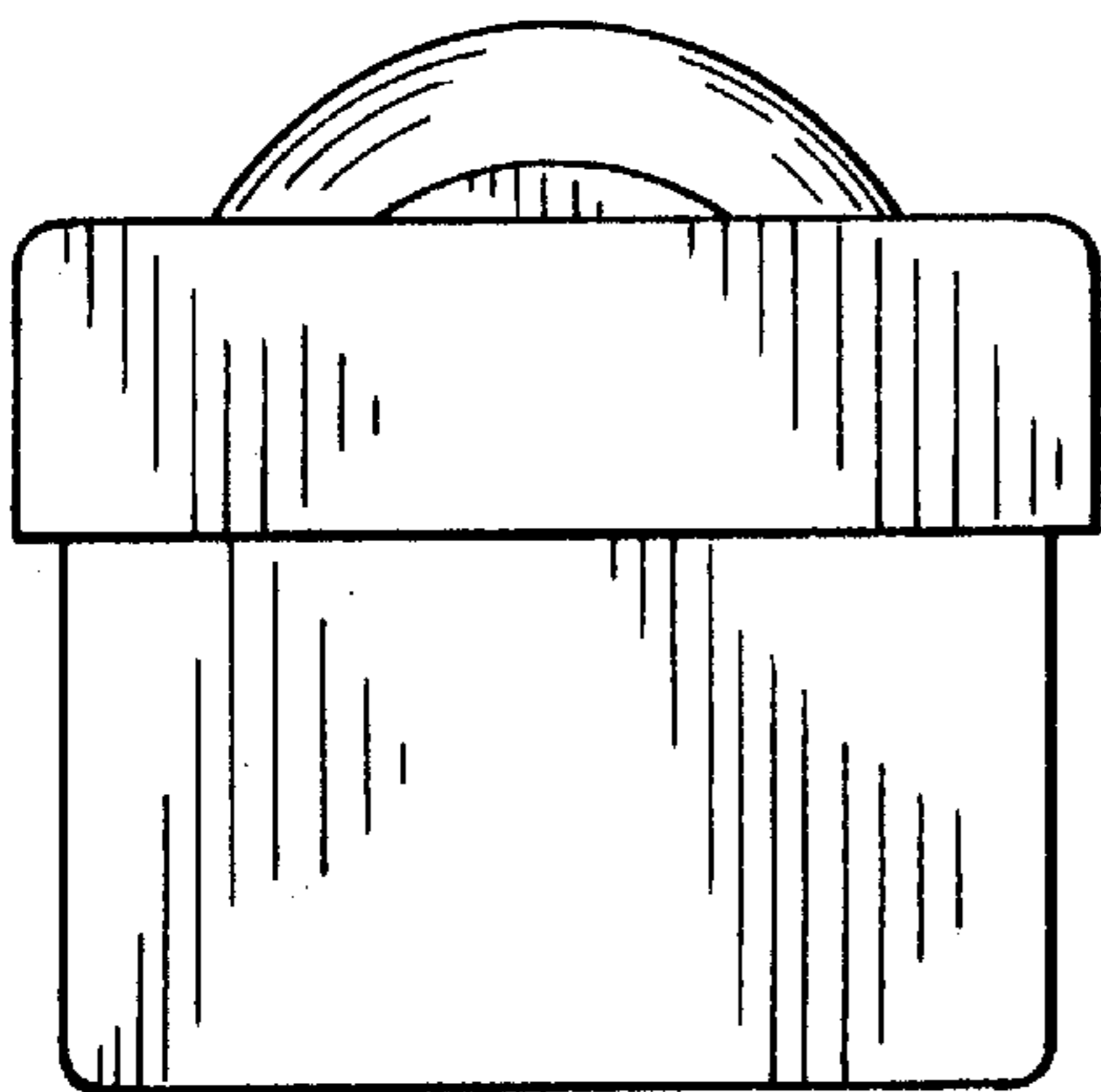


Fig. 5

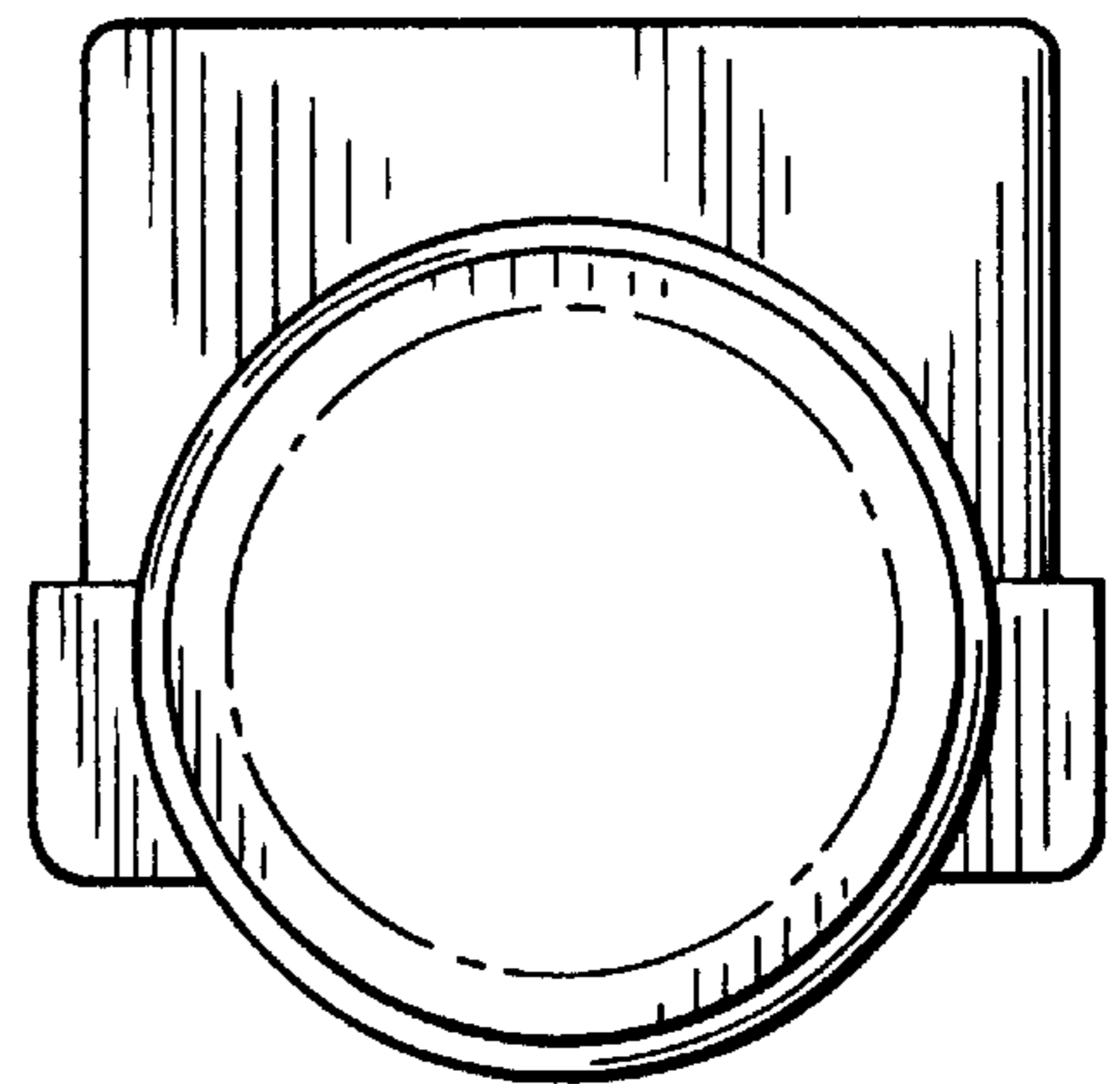


Fig. 6