



US00D478548S

(12) **United States Design Patent**
Wu

(10) **Patent No.:** **US D478,548 S**

(45) **Date of Patent:** **** Aug. 19, 2003**

(54) **ELECTRICAL CONNECTOR**

(75) **Inventor:** **Jerry Wu, Irvine, CA (US)**

(73) **Assignee:** **Hon Hai Precision Ind. Co., Ltd.,
Taipei Hsien (TW)**

(**) **Term:** **14 Years**

(21) **Appl. No.:** **29/167,248**

(22) **Filed:** **Sep. 10, 2002**

(51) **LOC (7) Cl. 13-03**

(52) **U.S. Cl. D13/133; D13/147**

(58) **Field of Search D13/146, 147,
D13/154, 133; 439/607, 610, 660, 358**

(56) **References Cited**

U.S. PATENT DOCUMENTS

5,273,459	A	*	12/1993	Davis	439/607
6,039,606	A	*	3/2000	Chiou	439/610
6,083,031	A	*	7/2000	Kuo	439/610 X
6,179,627	B1	*	1/2001	Daly et al.	439/607
6,196,874	B1	*	3/2001	Wu	439/607
6,257,930	B1	*	7/2001	Yu	439/607
6,280,209	B1	*	8/2001	Bassler et al.	439/101

6,336,827	B1	*	1/2002	Akama et al.	439/610
2002/0045385	A1	*	4/2002	Wang	439/610
2002/0142659	A1	*	10/2002	Nishio et al.	439/610
2002/0146924	A1	*	10/2002	Simmons et al.	439/660

FOREIGN PATENT DOCUMENTS

JP 2000030806 * 1/2000 H01R/13/648

* cited by examiner

Primary Examiner—Joel Sincavage

(74) *Attorney, Agent, or Firm*—Wei Te Chung

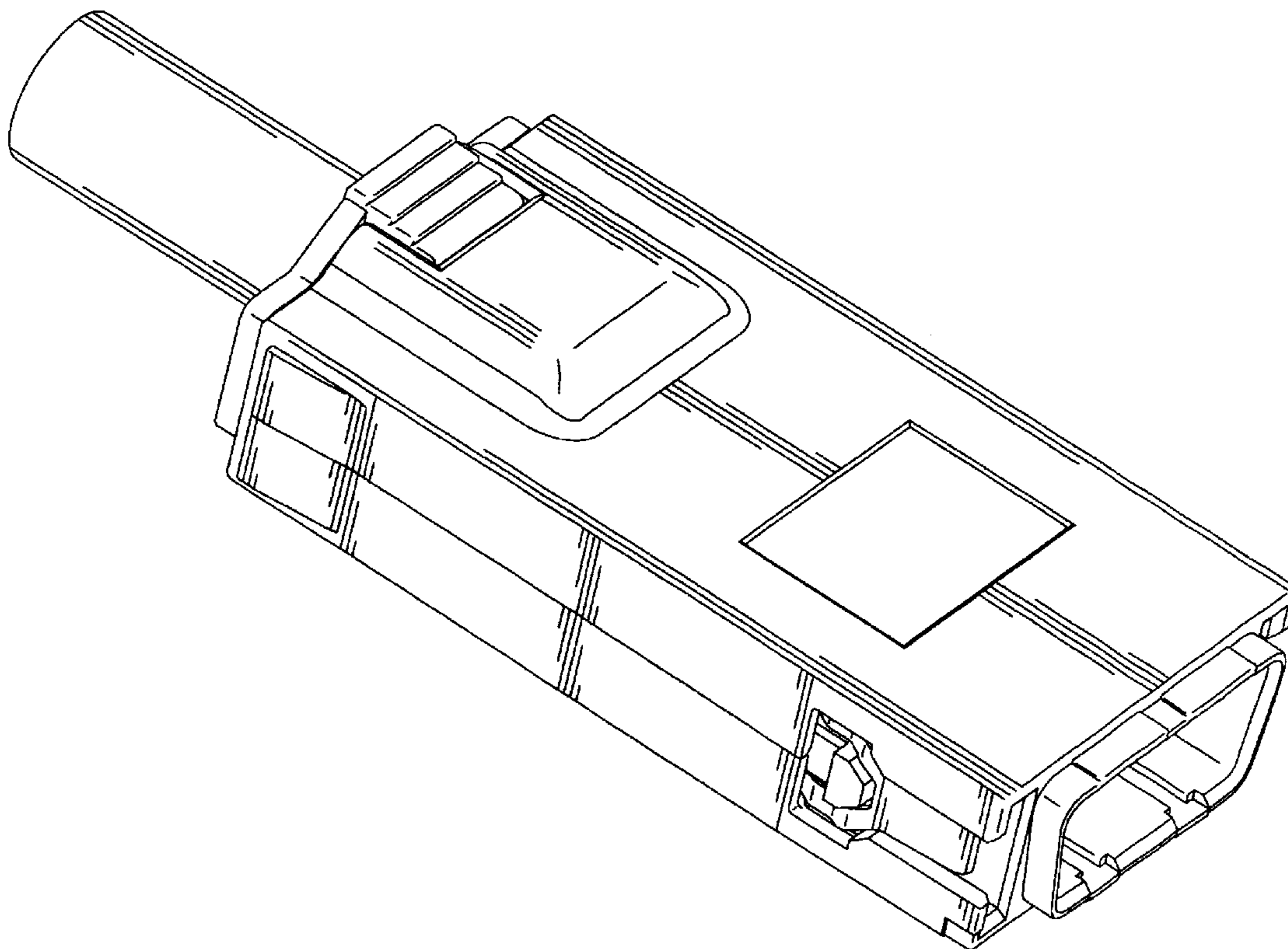
(57) **CLAIM**

The ornamental design for an electrical connector, as shown.

DESCRIPTION

FIG. 1 is a front, top and left side perspective view of an electrical connector showing my new design; FIG. 2 is a front elevational view thereof; FIG. 3 is a rear elevational view thereof; FIG. 4 is a left side elevational view thereof; FIG. 5 is a right side elevational view thereof; FIG. 6 is a top plan view thereof; and, FIG. 7 is a bottom plan view thereof.

1 Claim, 6 Drawing Sheets



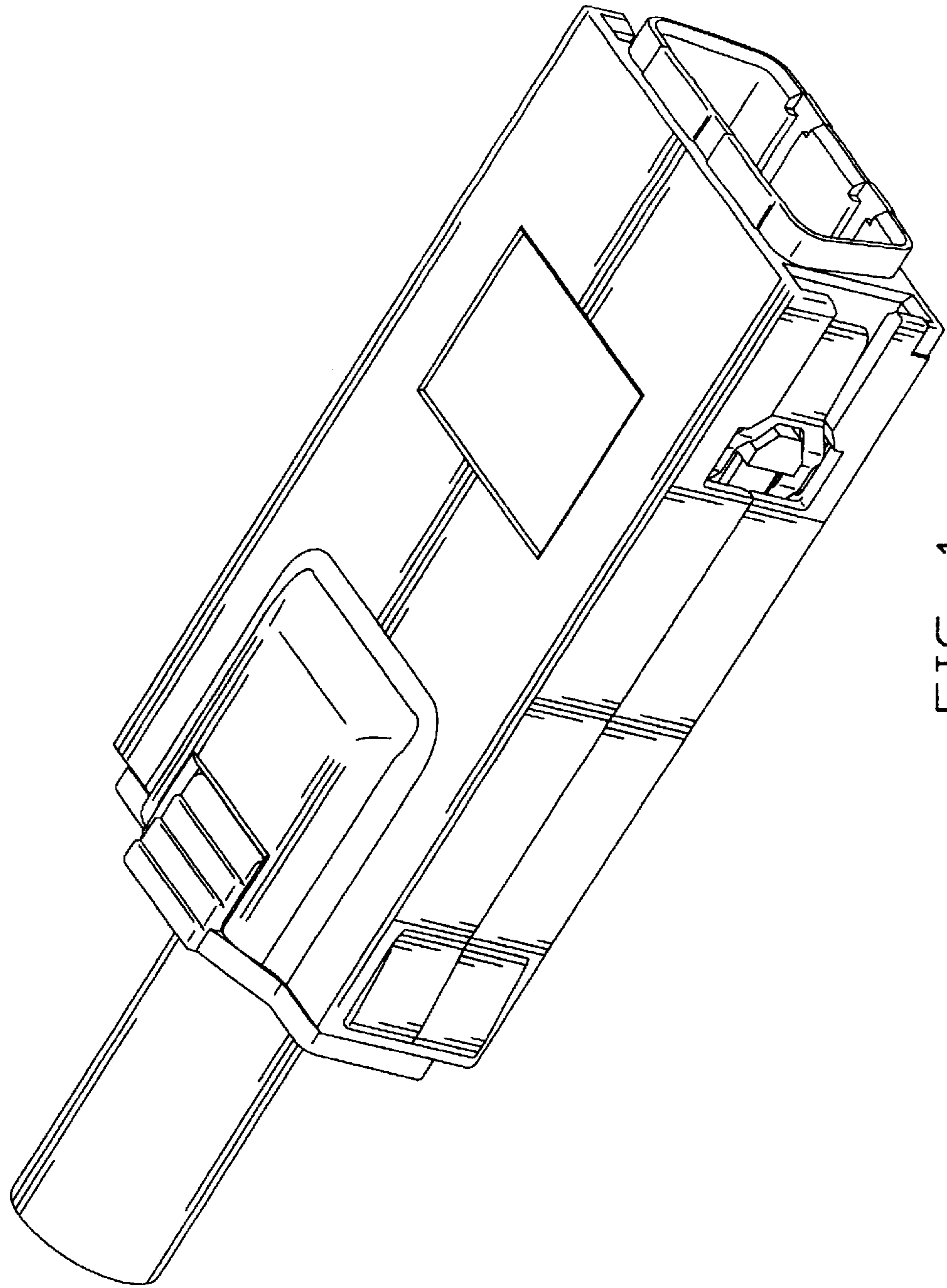


FIG. 1

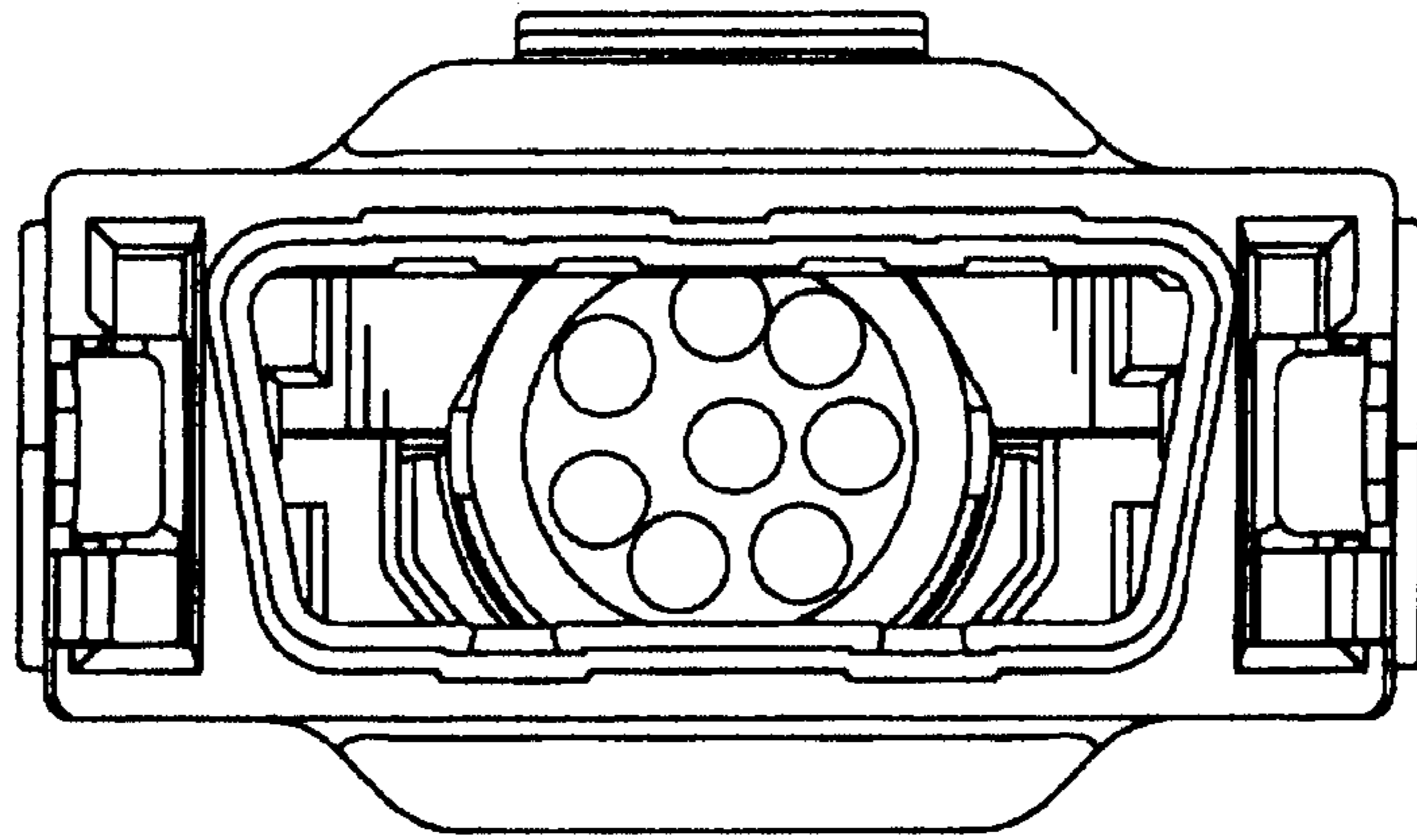


FIG. 2

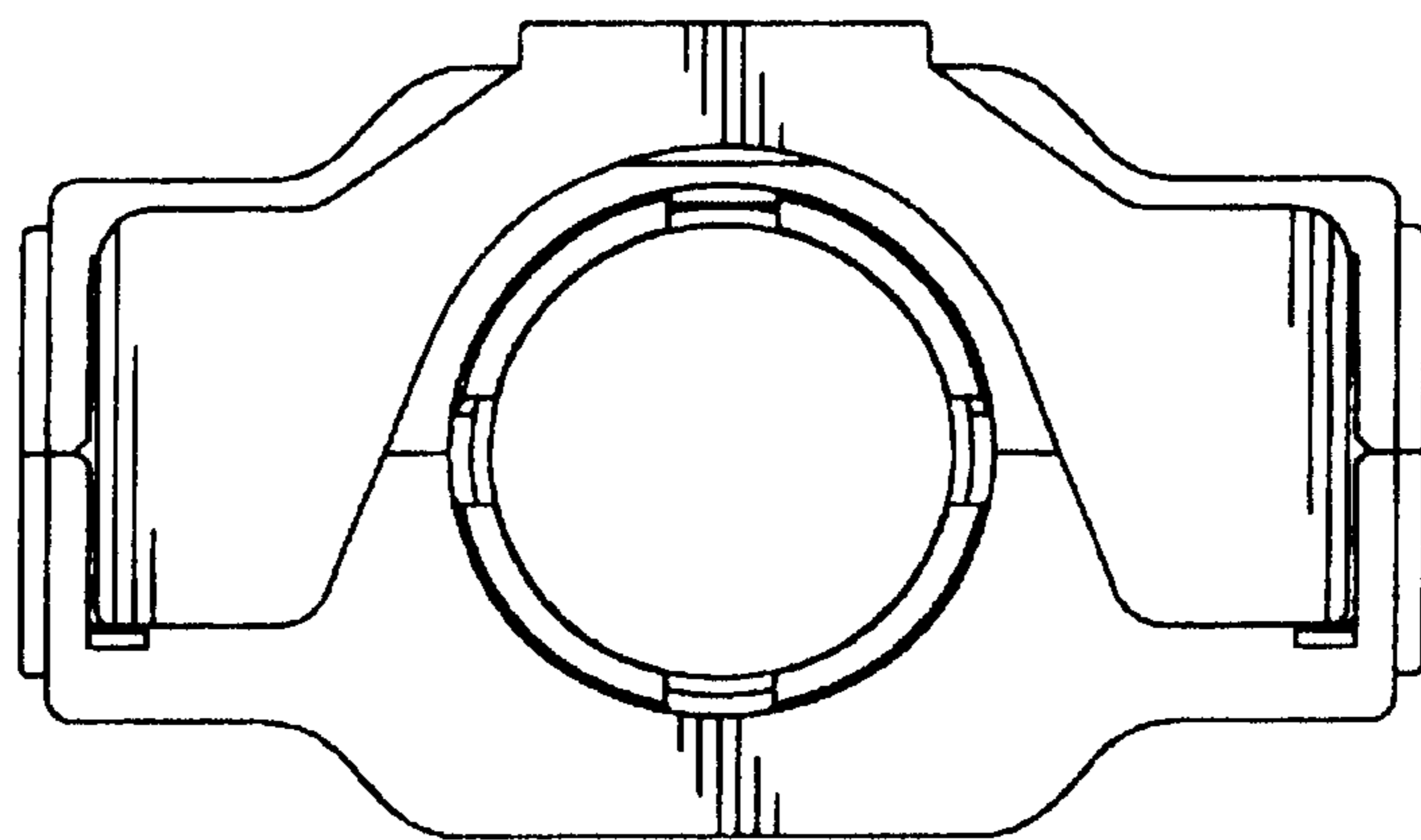


FIG. 3

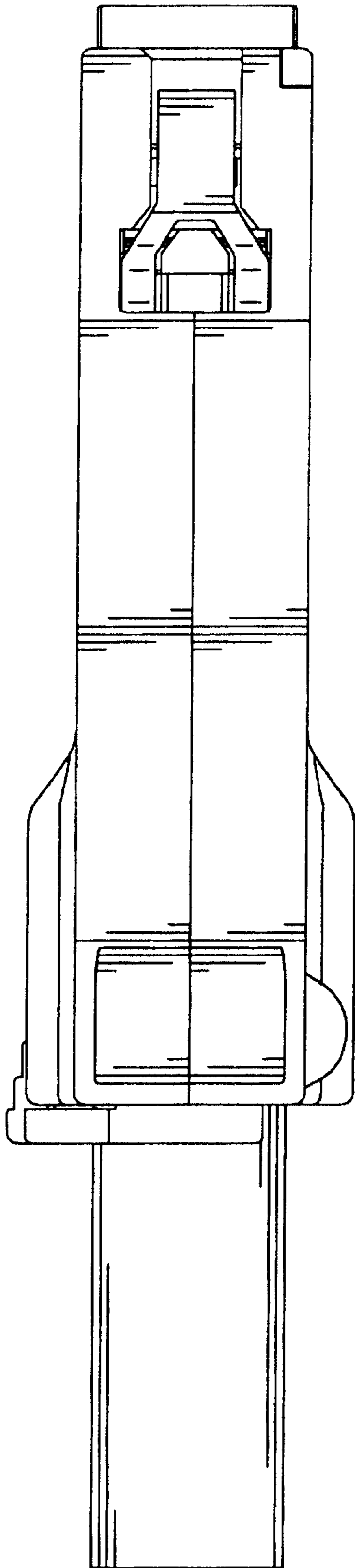


FIG. 4

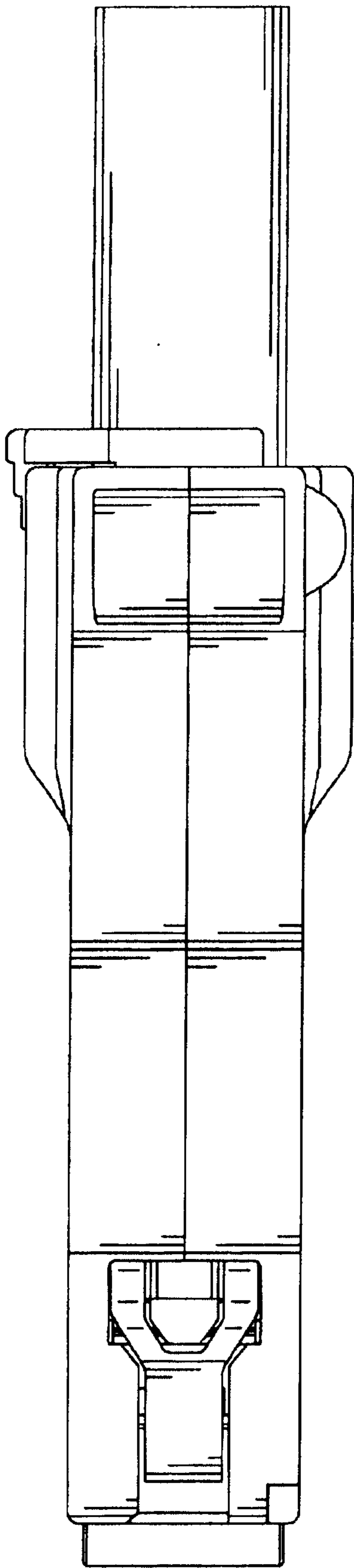


FIG. 5

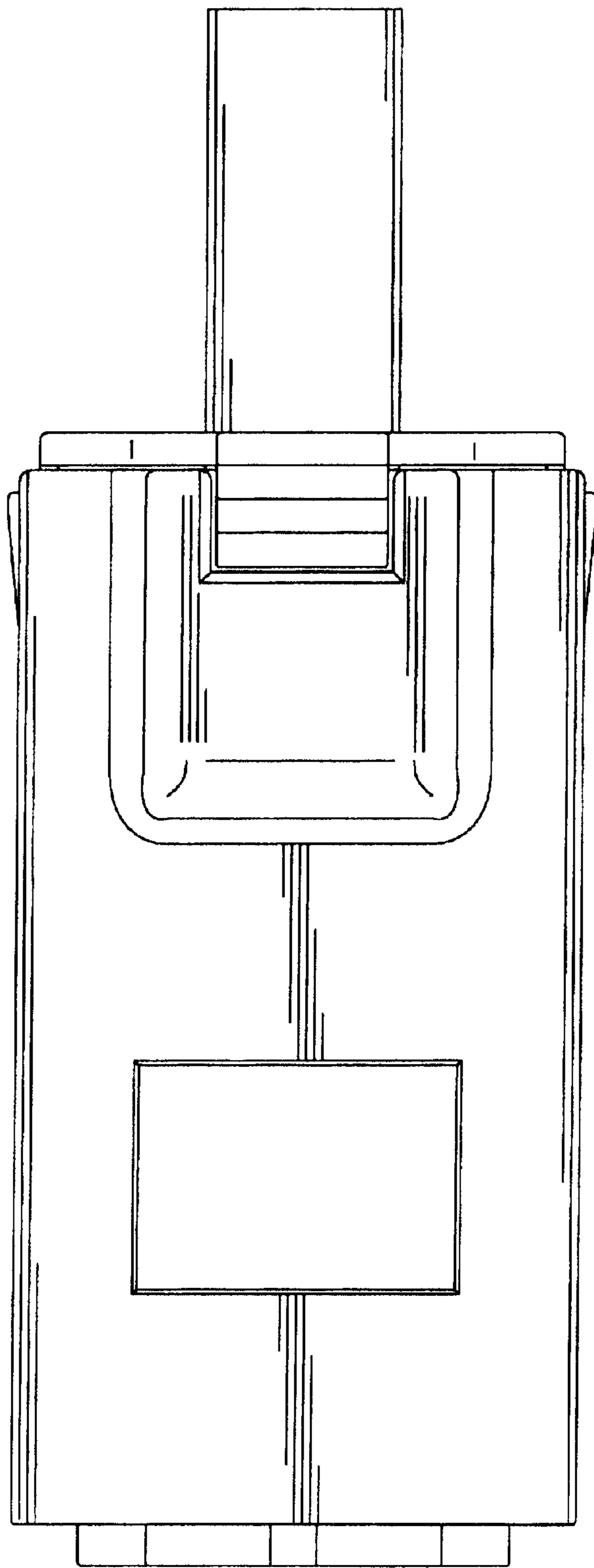


FIG. 6

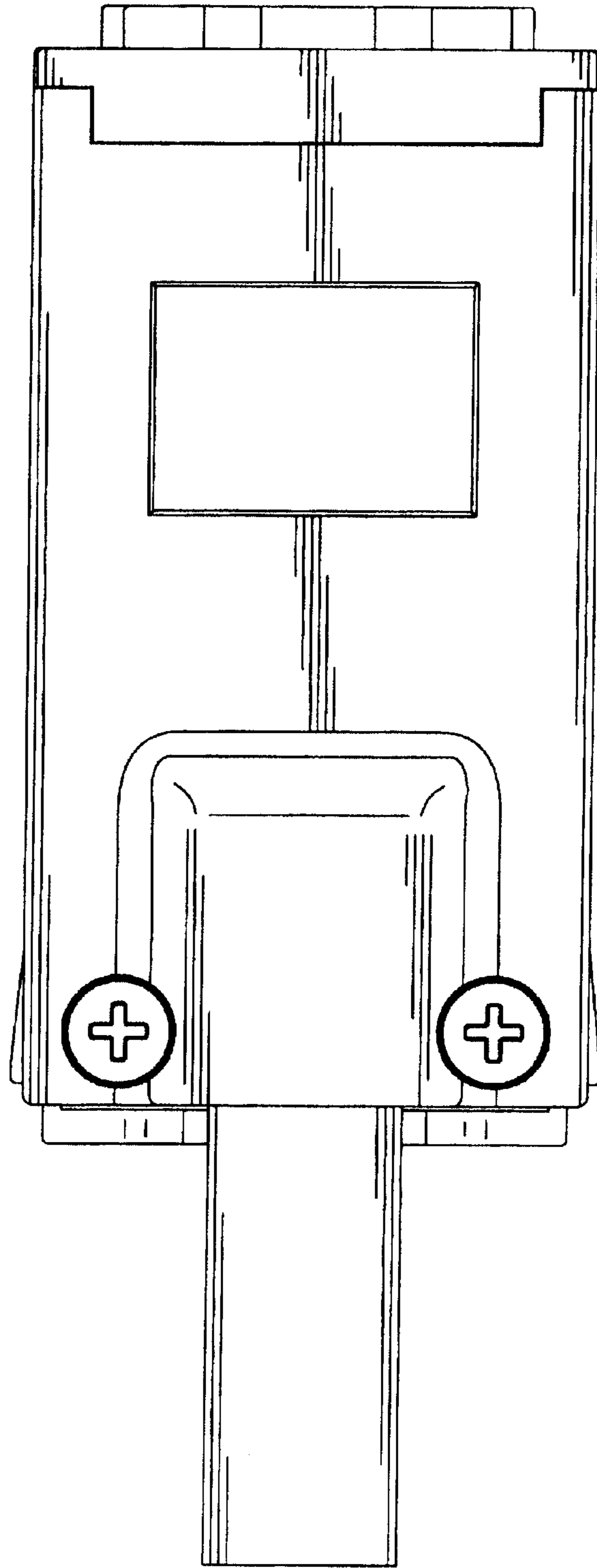


FIG. 7