



US00D478543S

(12) **United States Design Patent**
Truan et al.

(10) **Patent No.:** **US D478,543 S**

(45) **Date of Patent:** **** Aug. 19, 2003**

(54) **HOPPER FOR A BED MOUNTED SPREADER ASSEMBLY**

(75) Inventors: **Charles J. Truan**, Royal Oak, MI (US); **James Truan**, Royal Oak, MI (US); **Joshua Scott**, Royal Oak, MI (US); **Paul Mandrik**, Harrison Township, MI (US)

(73) Assignee: **Trynex, Inc.**, Warren, MI (US)

(**) Term: **14 Years**

(21) Appl. No.: **29/163,384**

(22) Filed: **Jul. 2, 2002**

(51) **LOC (7) Cl.** **12-16**

(52) **U.S. Cl.** **D12/221**

(58) **Field of Search** D12/221, 15, 98;
239/654, 657, 672

(56) **References Cited**

U.S. PATENT DOCUMENTS

| | | | |
|--------------|---------|-------------------|---------|
| 2,858,011 A | 10/1958 | Wahl | 198/64 |
| 3,322,429 A | 5/1967 | Cervelli | 275/8 |
| 3,559,894 A | 2/1971 | Murray et al. | 239/672 |
| 4,363,447 A | 12/1982 | Schulze | 239/659 |
| 4,712,717 A | 12/1987 | Egerdahl | 222/252 |
| D335,267 S * | 5/1993 | Upshaw | D12/221 |
| H1205 H | 7/1993 | Pearce et al. | 239/654 |
| 5,234,128 A | 8/1993 | Hill | 222/63 |
| 5,288,028 A | 2/1994 | Spivak et al. | 239/683 |
| 5,397,172 A | 3/1995 | Musso, Jr. et al. | 298/22 |
| D368,887 S * | 4/1996 | Upshaw | D12/221 |
| 5,649,666 A | 7/1997 | Lewis | 239/657 |

| | | | |
|--------------|---------|-------------------|---------|
| 5,690,466 A | 11/1997 | Gaddis et al. | 563/669 |
| 5,927,617 A | 7/1999 | Musso, Jr. et al. | 239/657 |
| 6,027,052 A | 2/2000 | Strieker et al. | 239/654 |
| 6,047,908 A | 4/2000 | Seymour et al. | 239/675 |
| 6,068,200 A | 5/2000 | Kime | 239/7 |
| 6,089,478 A | 7/2000 | Truan et al. | 239/675 |
| 6,092,966 A | 7/2000 | Martin et al. | 410/22 |
| 6,145,709 A | 11/2000 | Hogan et al. | 222/278 |
| 6,179,230 B1 | 1/2001 | Geroux et al. | 239/672 |
| D438,836 S * | 3/2001 | Reiter | D12/221 |
| D452,472 S * | 12/2001 | Darbshire | D12/221 |
| D458,209 S * | 6/2002 | Darbshire | D12/221 |

* cited by examiner

Primary Examiner—Melody N. Brown

(74) *Attorney, Agent, or Firm*—Howard & Howard

(57) **CLAIM**

The ornamental design for a hopper for a bed mounted spreader assembly, as shown and described.

DESCRIPTION

FIG. 1 is a perspective view of a hopper for a bed mounted spreader assembly showing our new design, the vehicle shown in broken lines are for illustrative purposes only and form no part of the claimed invention;

FIG. 2 is a perspective view of the hopper, the hopper having an upper lip and an outlet spout shown in broken lines and forming no part of the claimed invention;

FIG. 3 is a side view of FIG. 2;

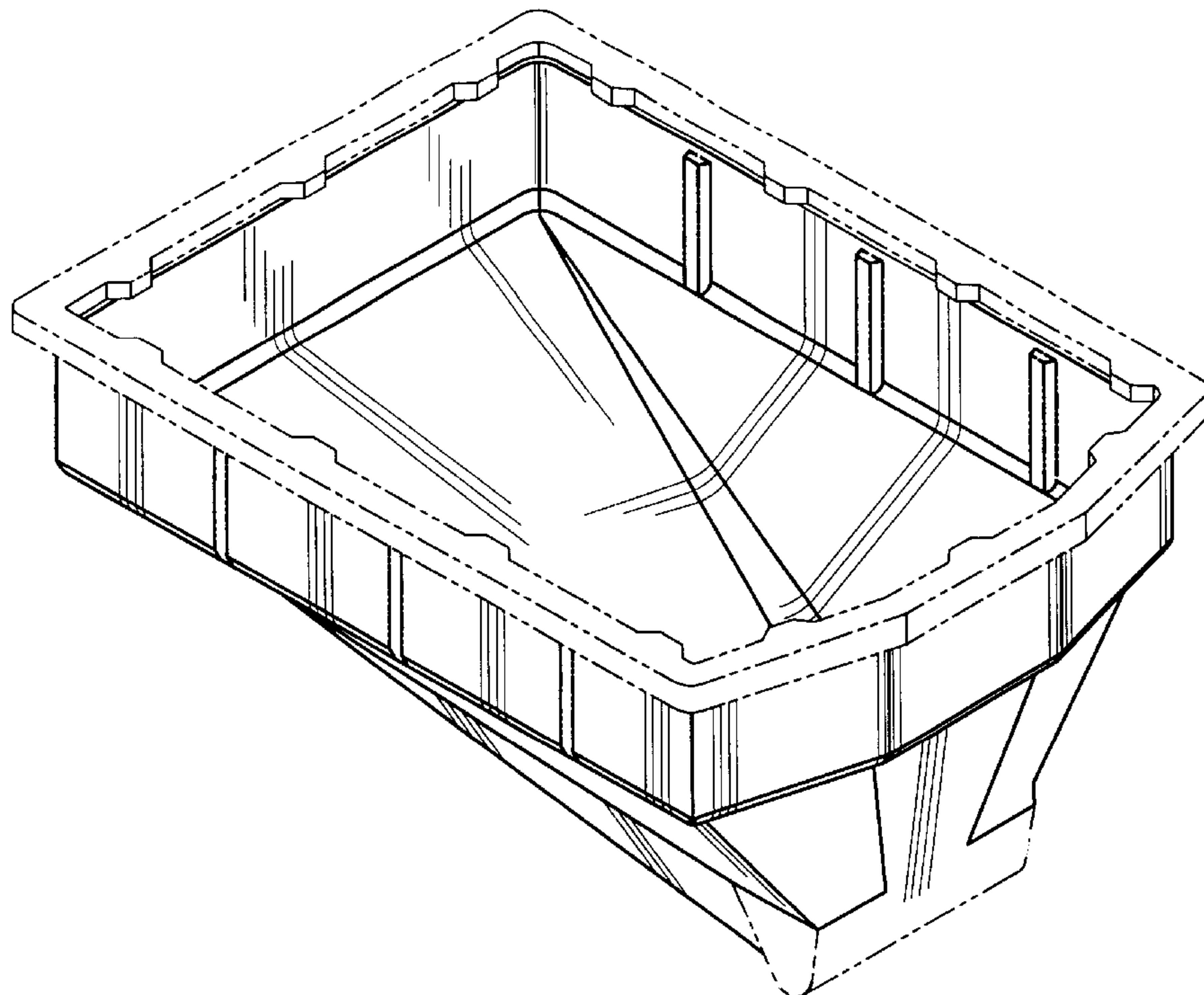
FIG. 4 is a top view of FIG. 2;

FIG. 5 is a front view of FIG. 2;

FIG. 6 is a back view of FIG. 2; and,

FIG. 7 is a bottom view of FIG. 2.

1 Claim, 5 Drawing Sheets



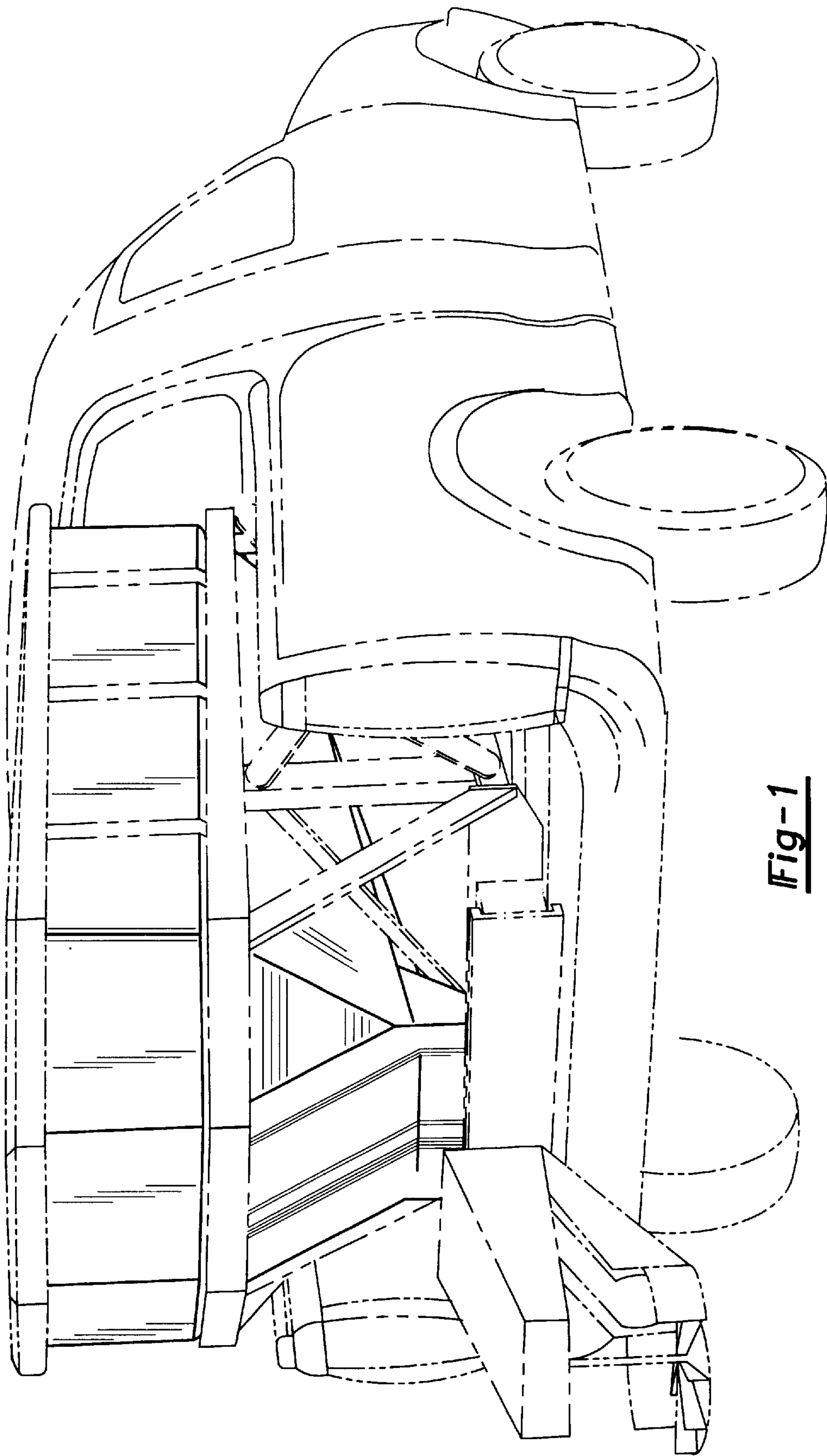


Fig-1

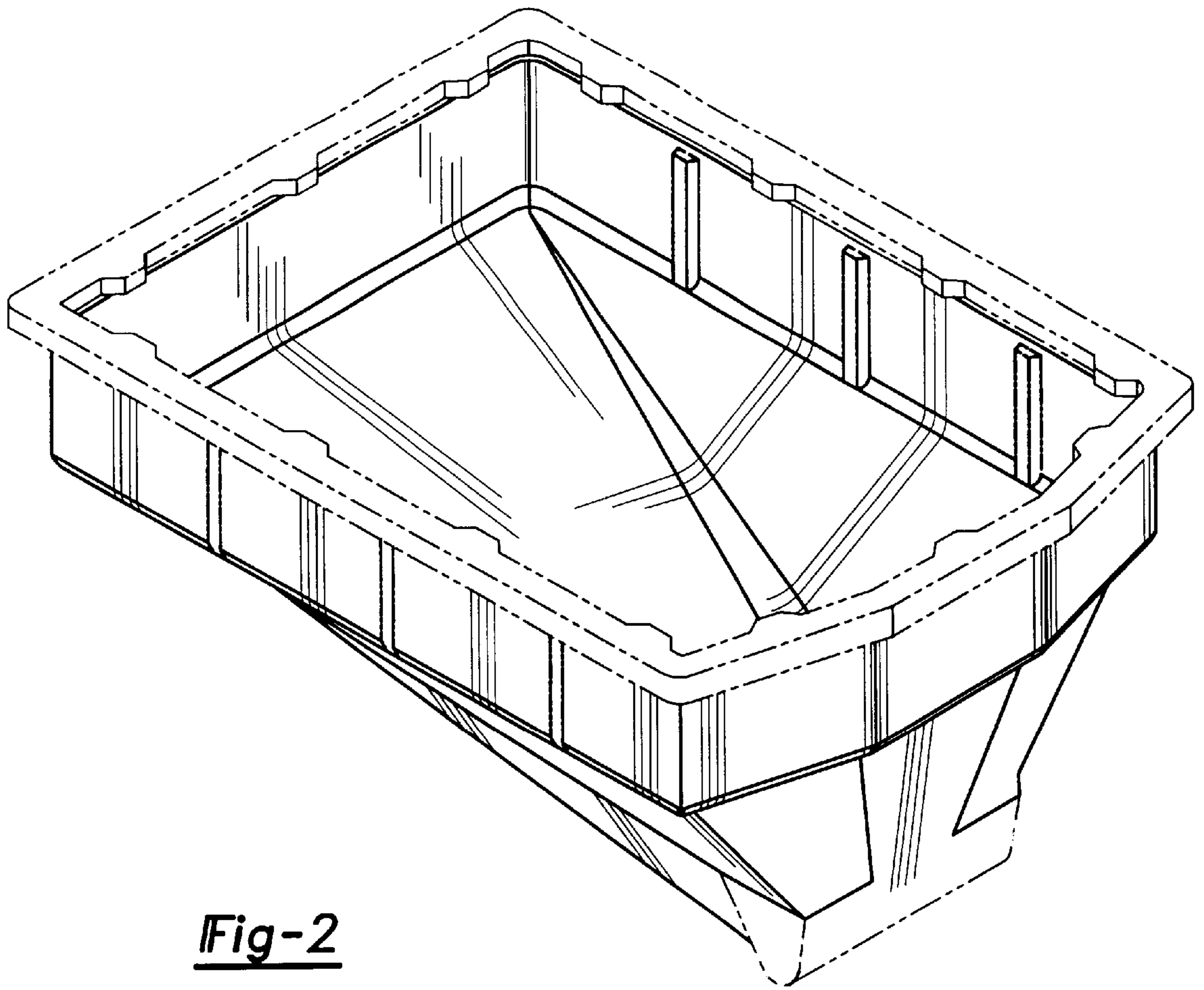


Fig-2

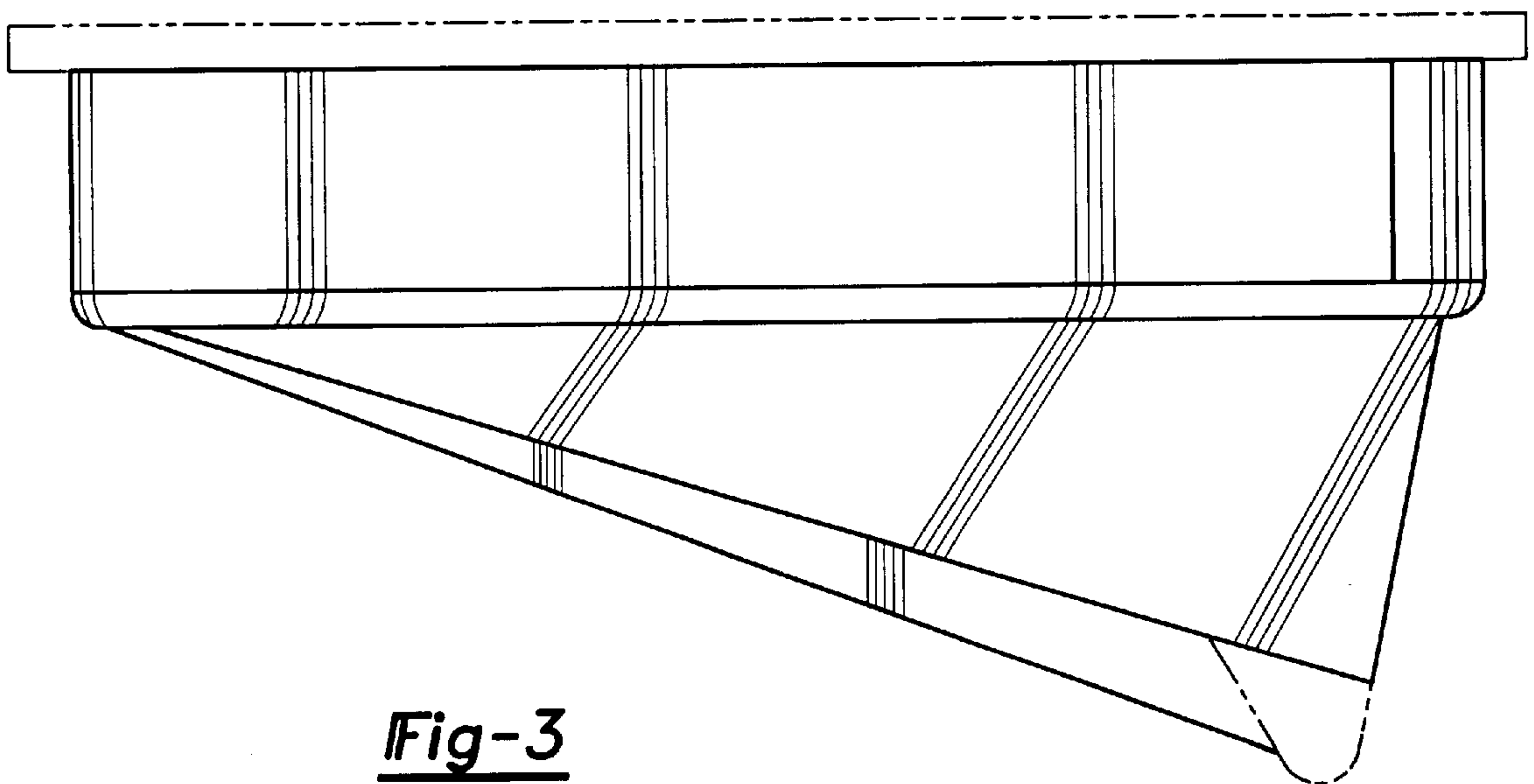


Fig-3

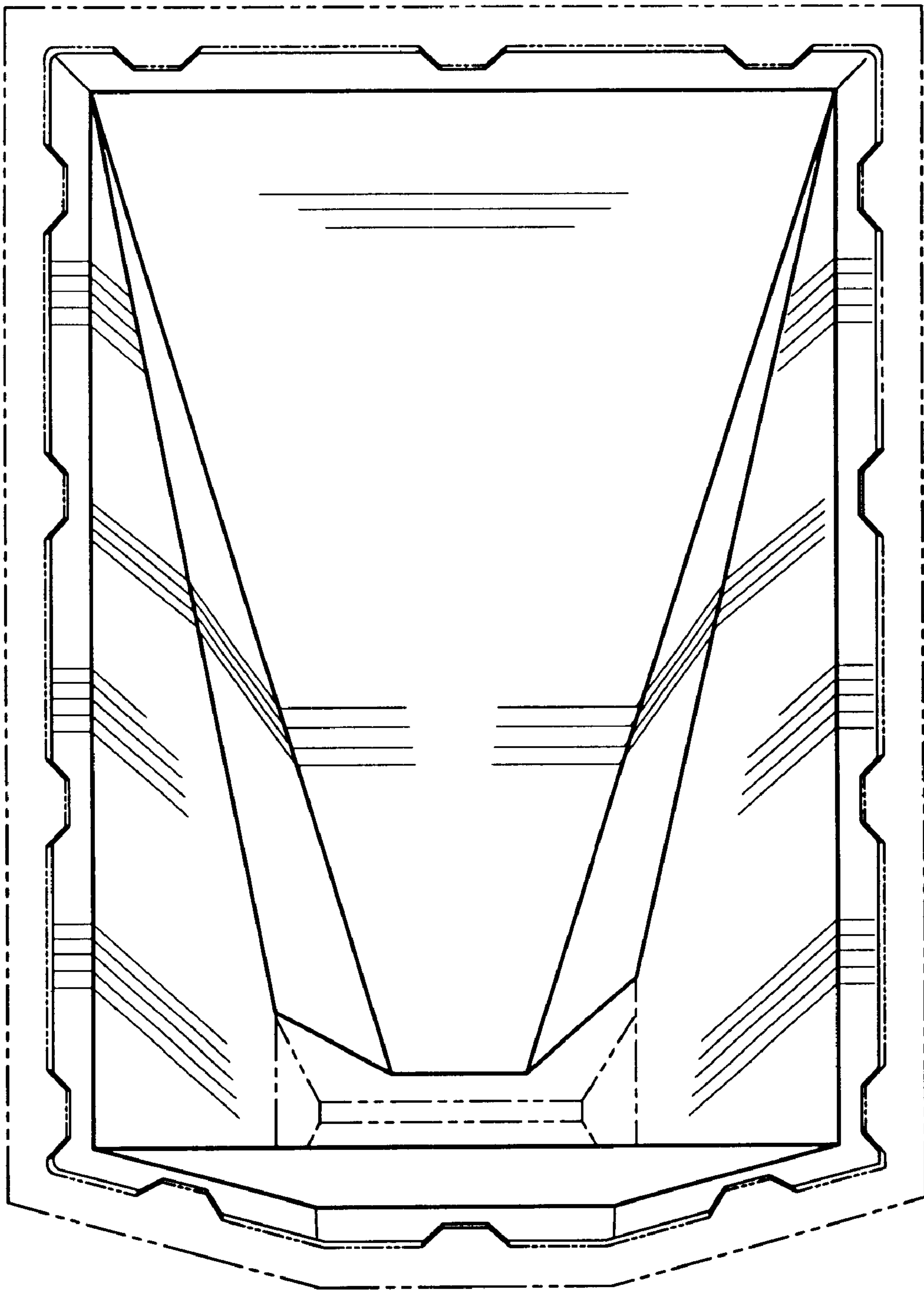


Fig-4

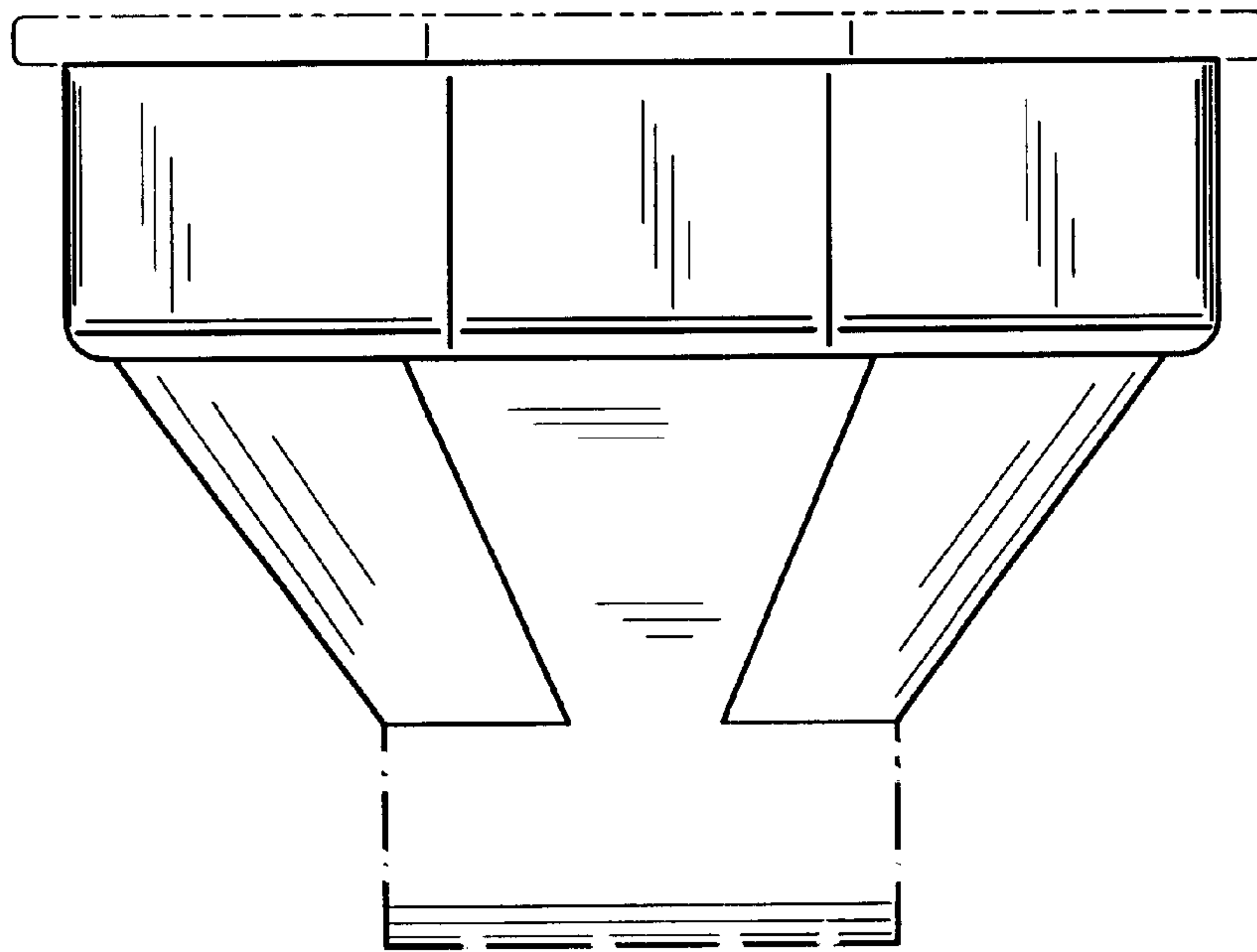


Fig-5

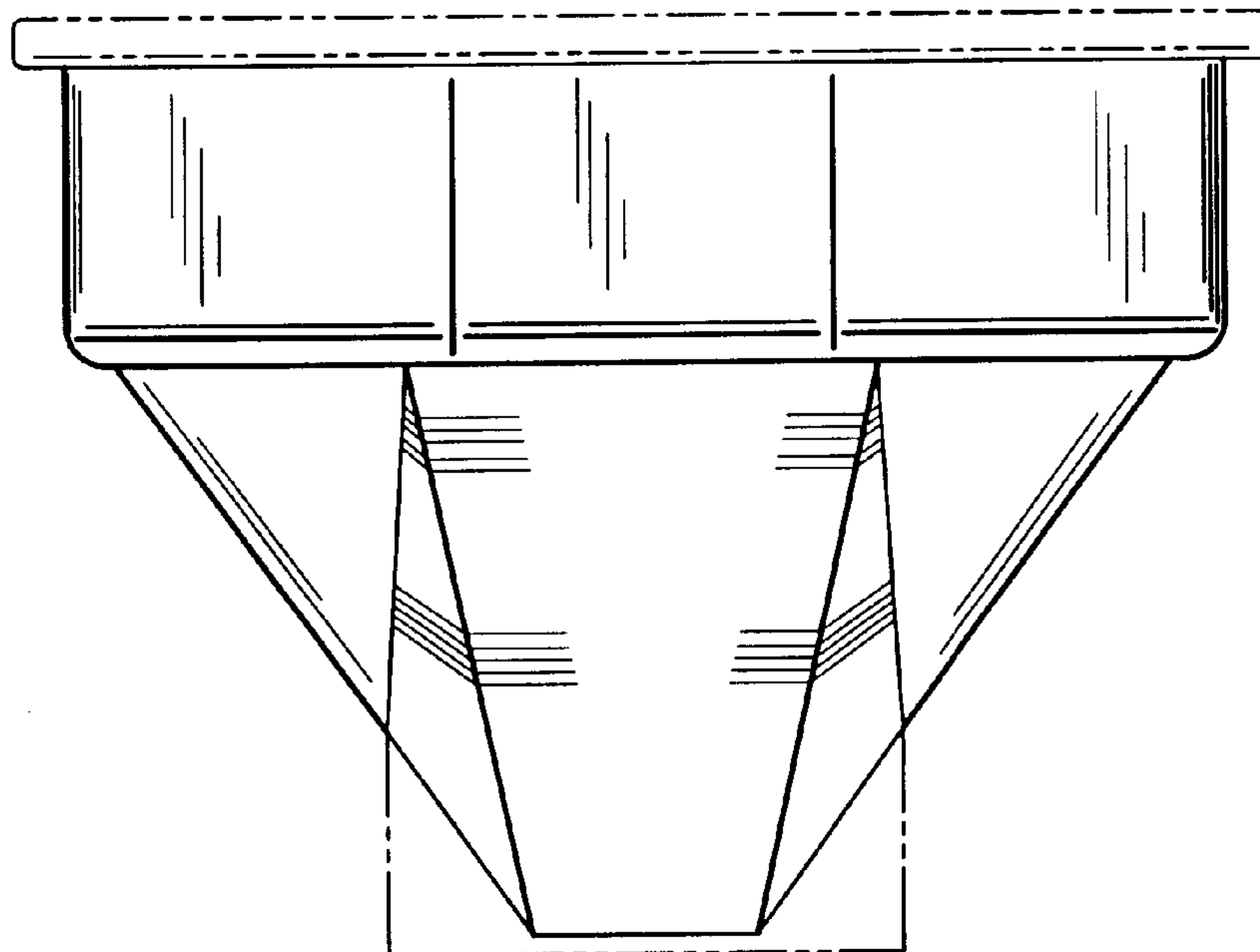


Fig-6

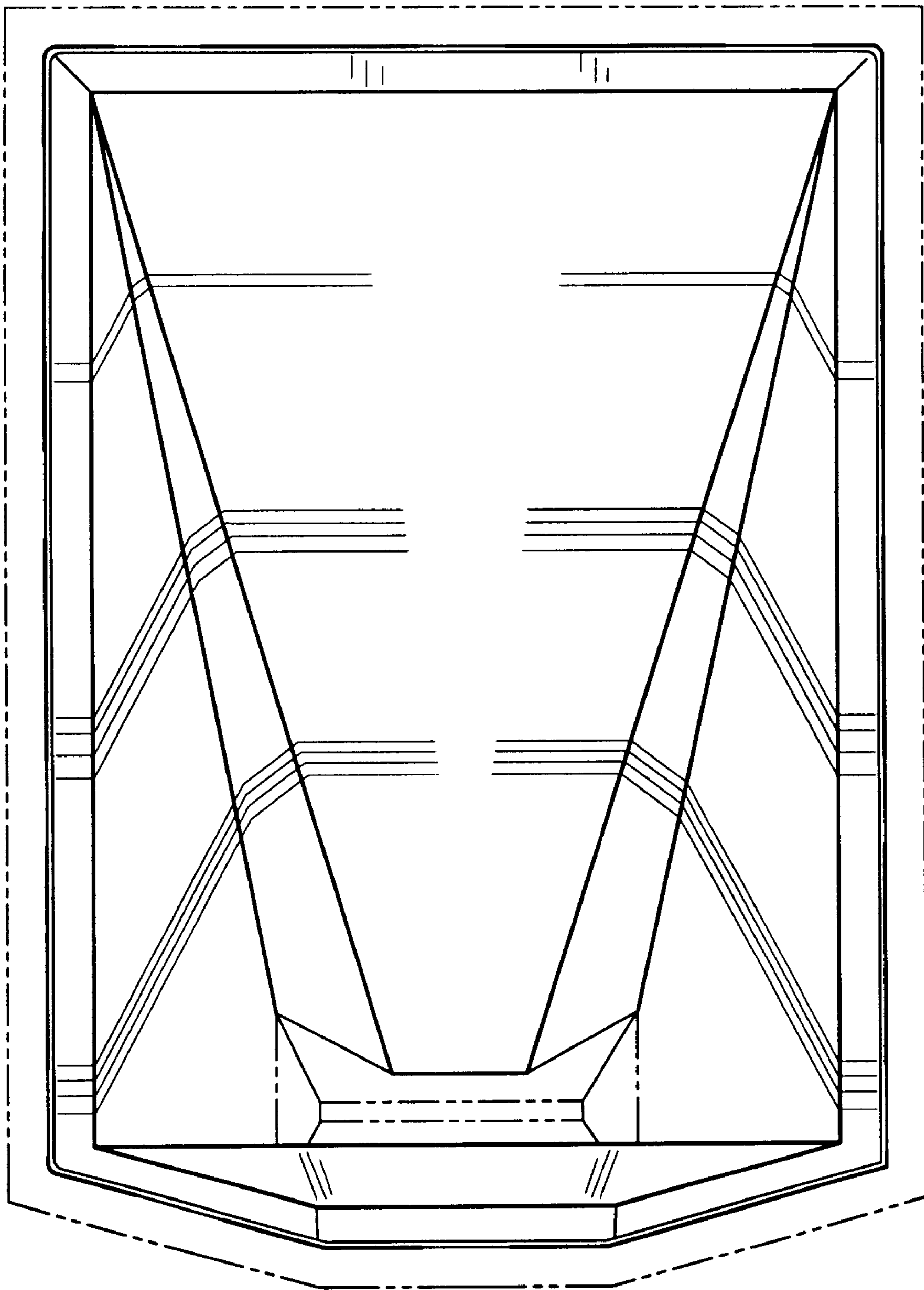


Fig-7