



US00D478535S

(12) **United States Design Patent**
Chen

(10) **Patent No.:** **US D478,535 S**

(45) **Date of Patent:** **** Aug. 19, 2003**

(54) **TRICYCLE FRAME**

D436,897 S * 1/2001 Chiappepta et al. D12/113

(75) Inventor: **Ting-Hsing Chen**, Tainan Hsien (TW)

* cited by examiner

(73) Assignee: **Far Great Plastics Industrial Co., Ltd.**, Tainan Hsien (TW)

Primary Examiner—Alan P. Douglas

Assistant Examiner—Linda Brooks

(**) Term: **14 Years**

(74) *Attorney, Agent, or Firm*—Rosenberg, Klein & Lee

(21) Appl. No.: **29/165,851**

(57) **CLAIM**

The ornamental design for a tricycle frame, as shown and described.

(22) Filed: **Aug. 20, 2002**

DESCRIPTION

(51) **LOC (7) Cl.** **12-11**

FIG. 1 is a perspective view of a tricycle frame showing my present design;

(52) **U.S. Cl.** **D12/113**

FIG. 2 is a front view thereof;

(58) **Field of Search** D12/111, 112, D12/113, 117; D21/423, 432, 435; 280/259, 278, 282, 281.1, 287, 288.3

FIG. 3 is a rear view thereof;

FIG. 4 is a left view thereof;

FIG. 5 is a right view thereof;

(56) **References Cited**

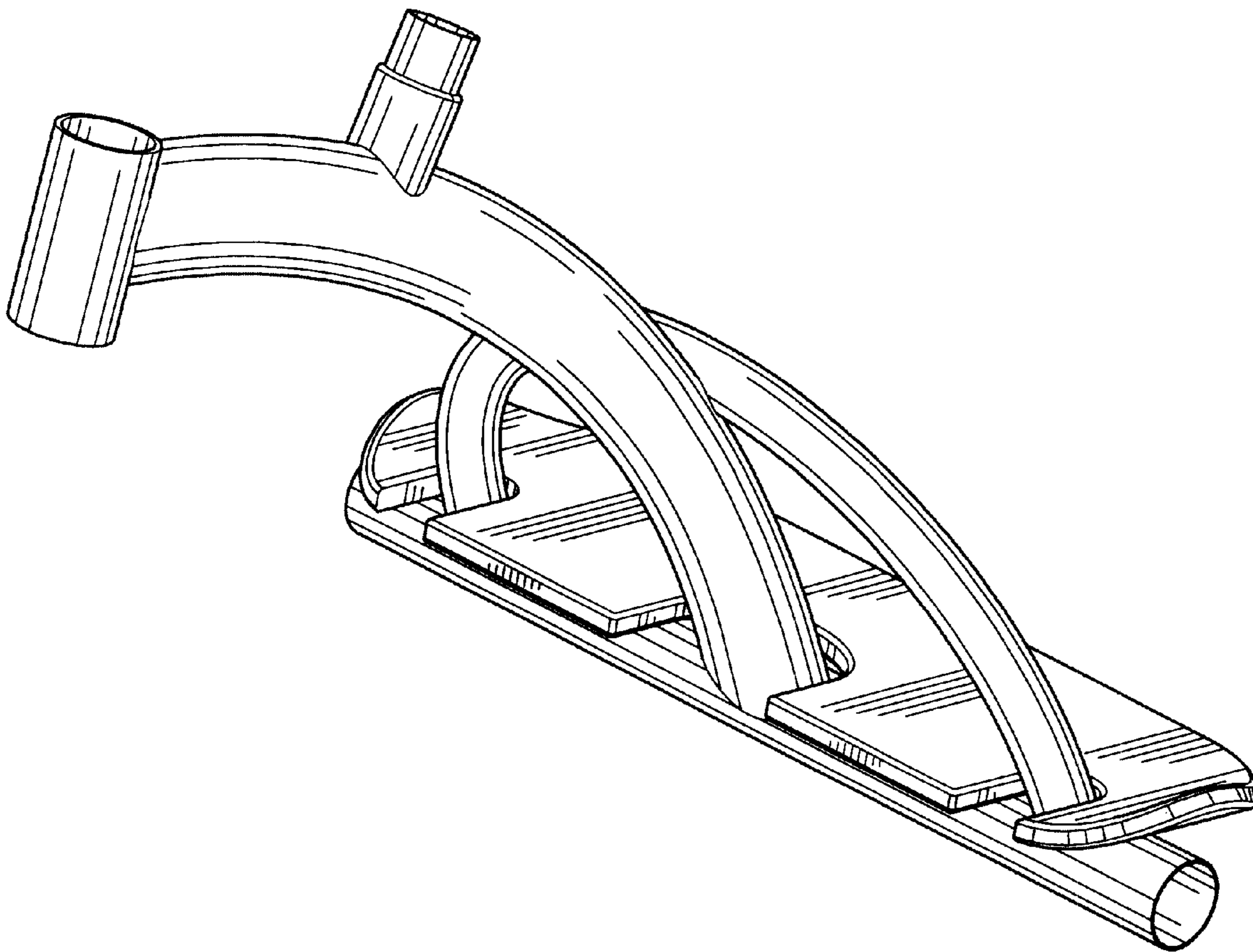
FIG. 6 is a top plan view thereof; and,

FIG. 7 is a bottom plan view.

U.S. PATENT DOCUMENTS

D201,753 S * 7/1965 Boucher D12/113

1 Claim, 5 Drawing Sheets



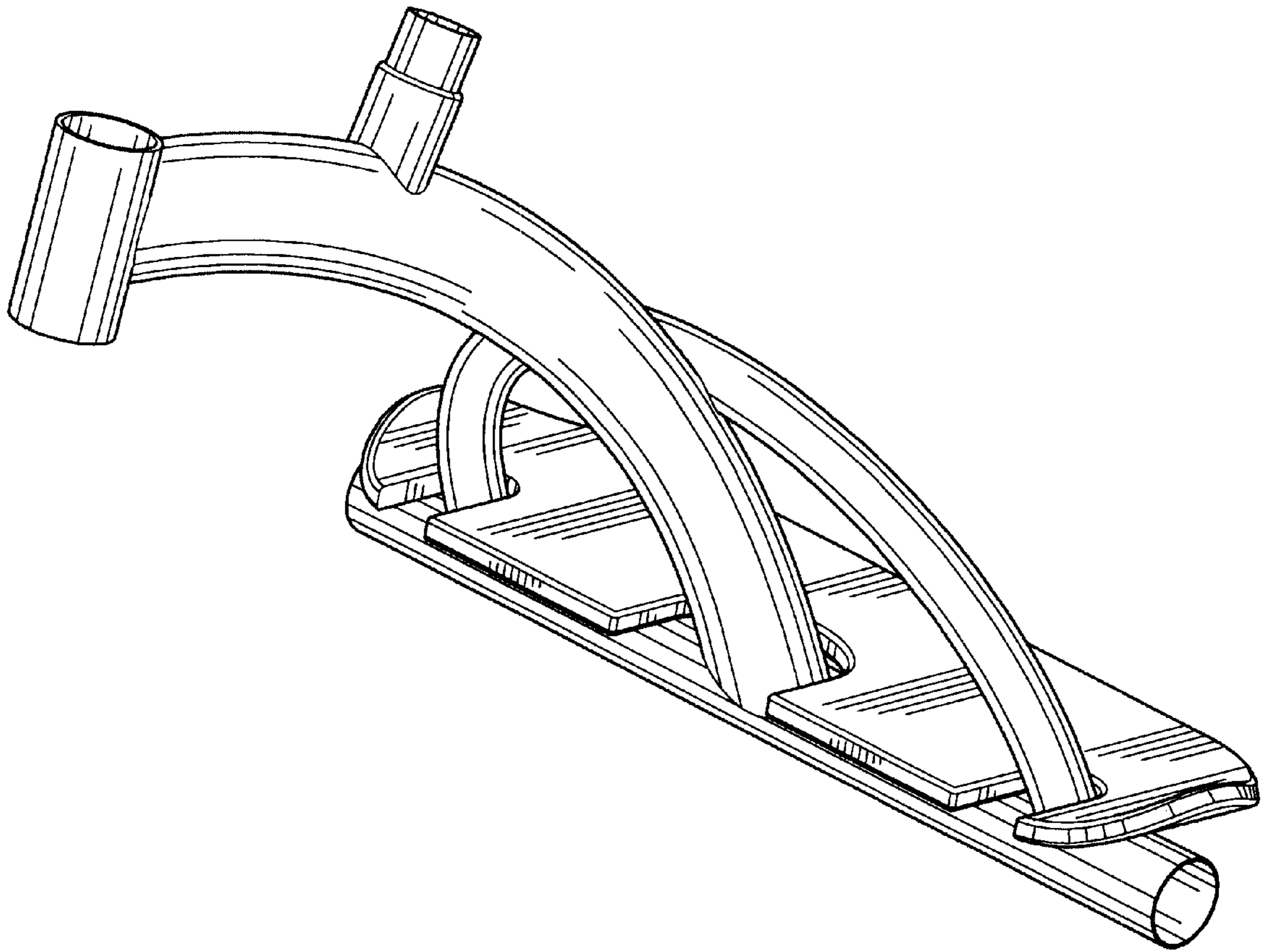


FIG. 1

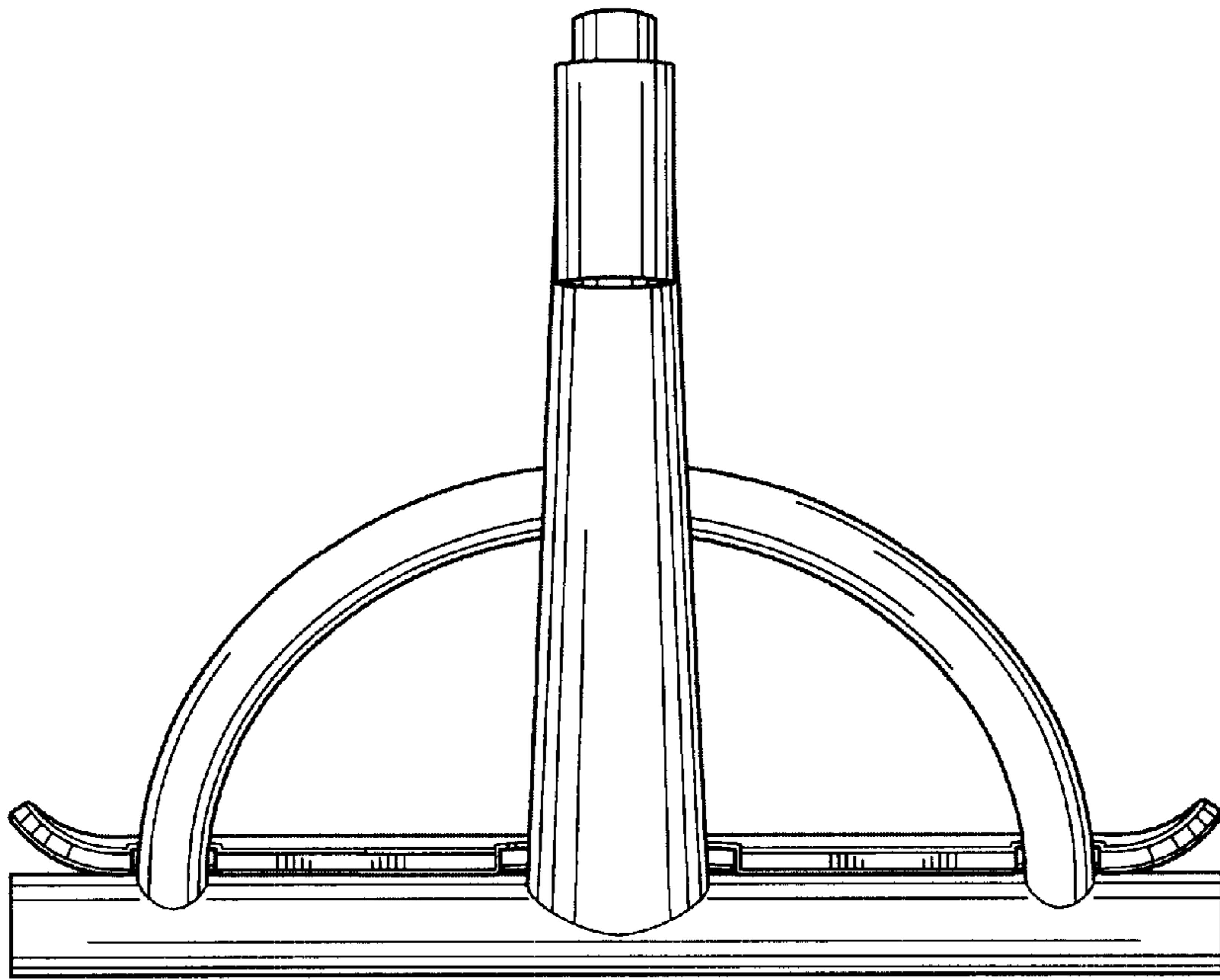


FIG. 2

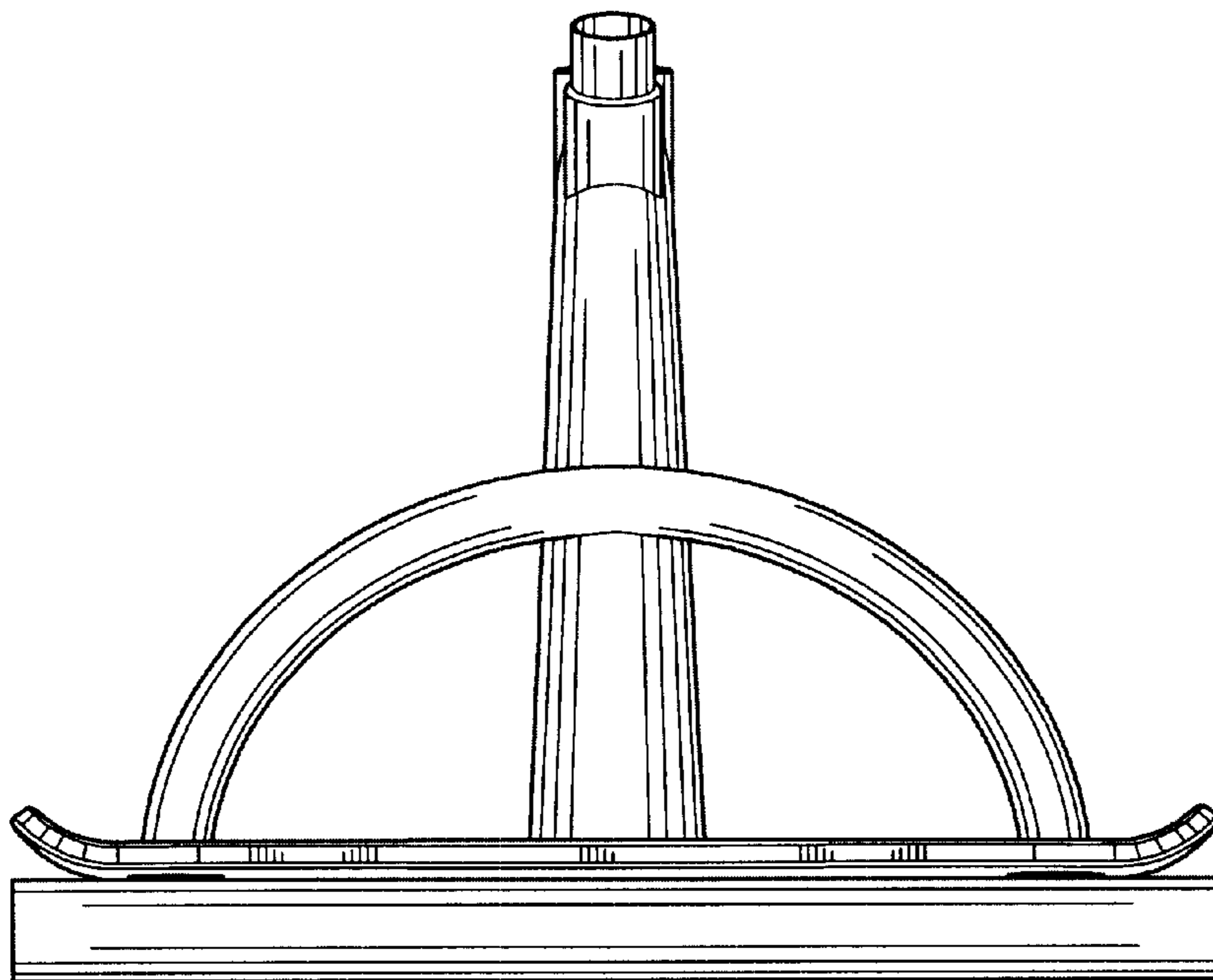


FIG. 3

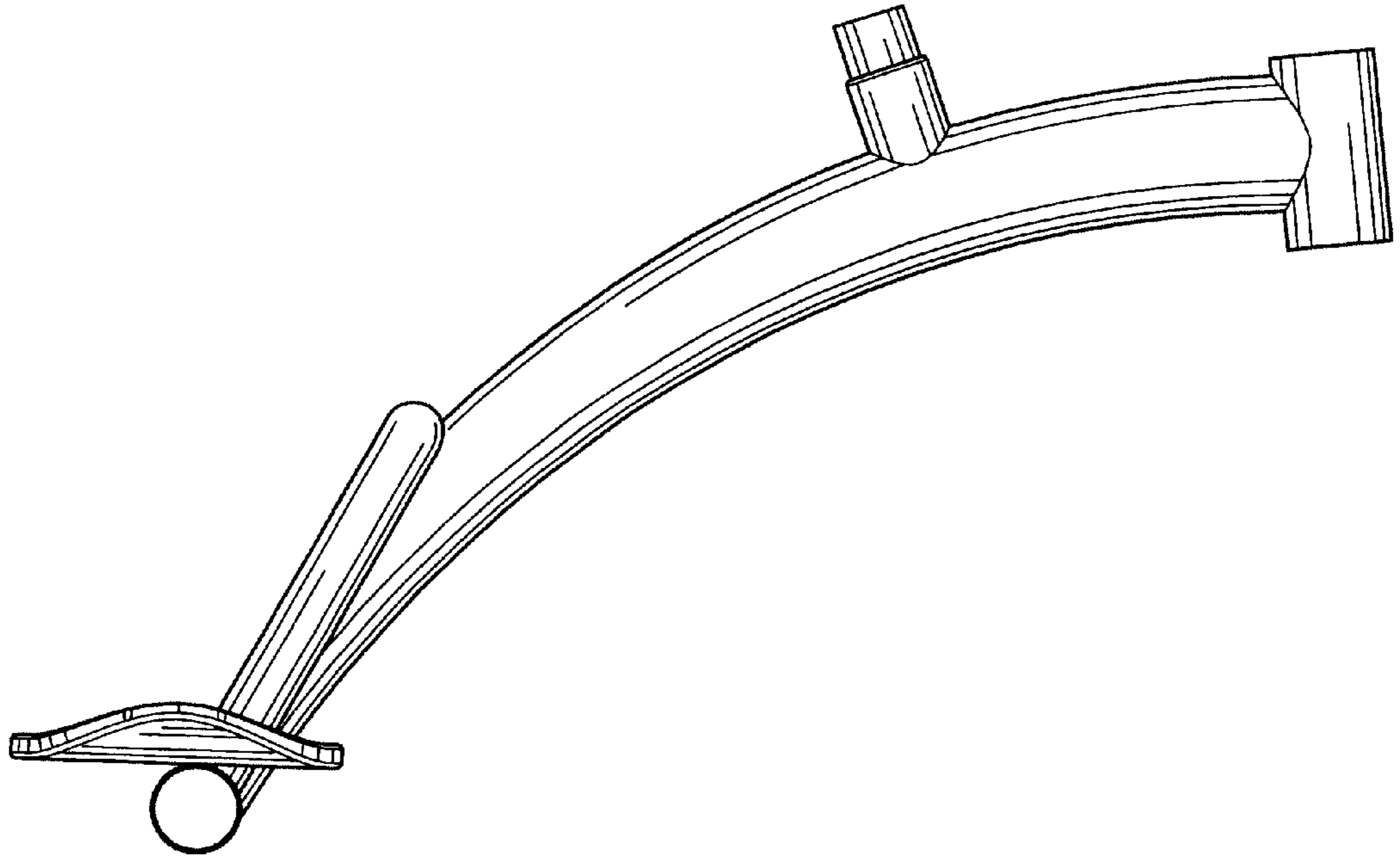


FIG. 4

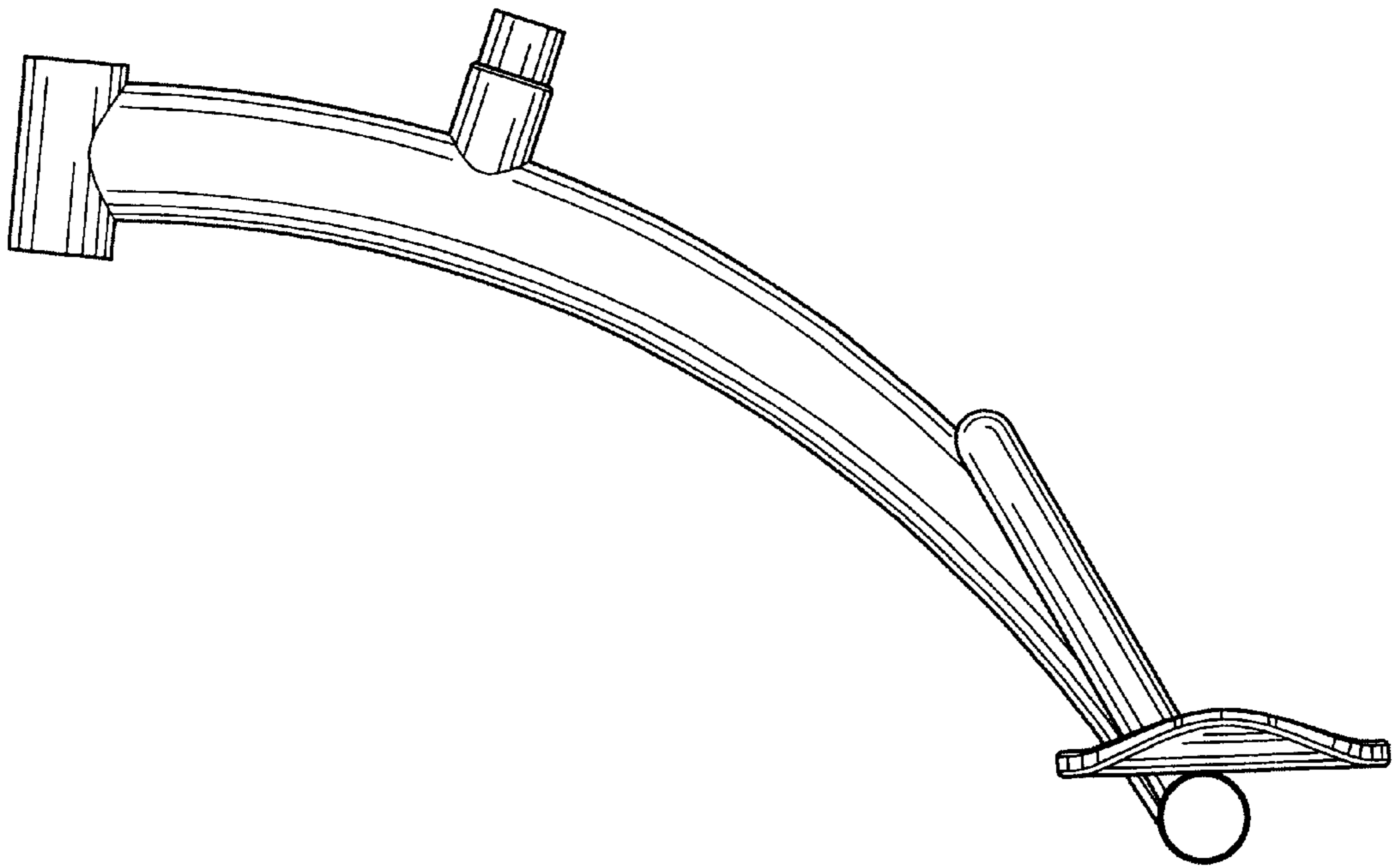


FIG. 5

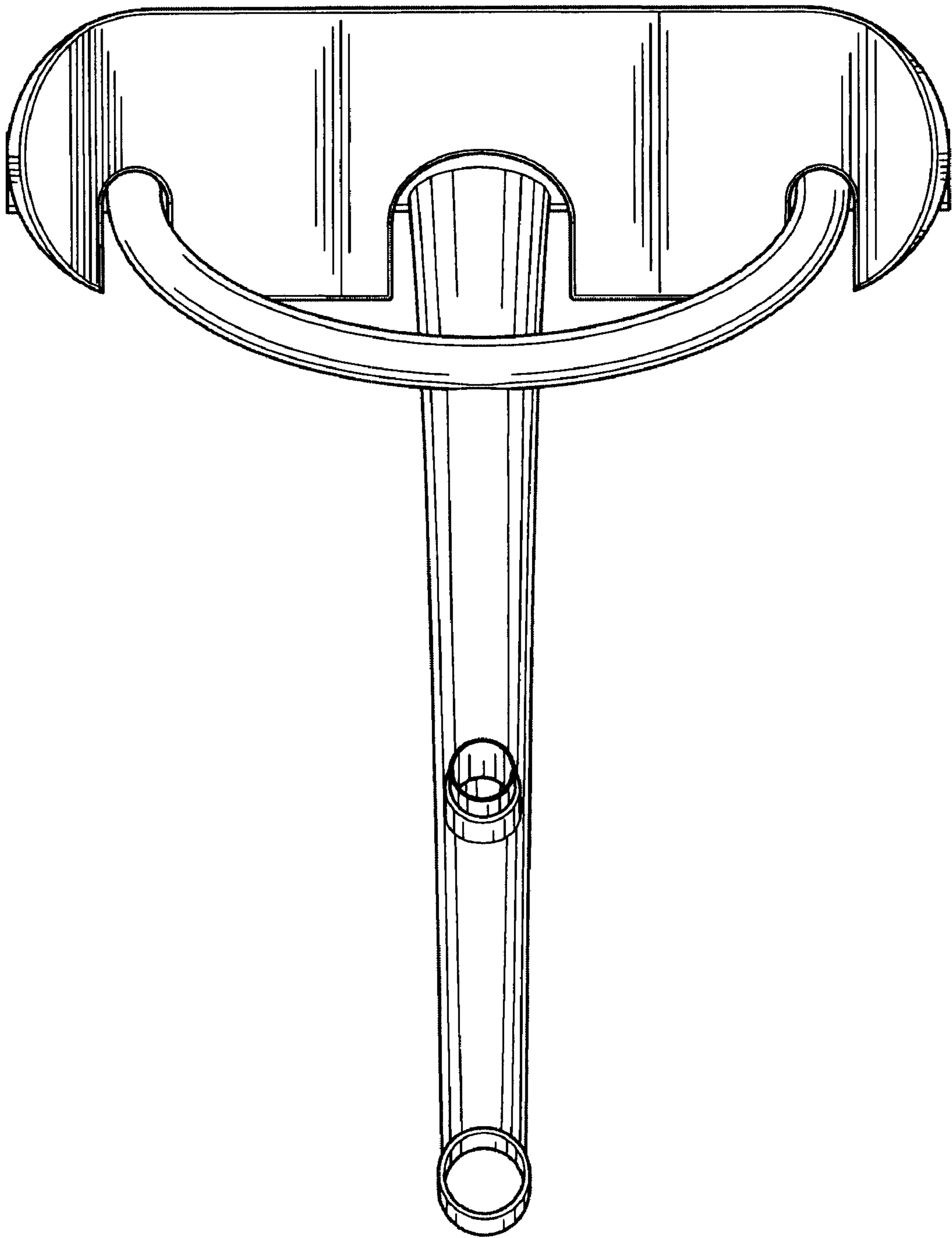


FIG. 6

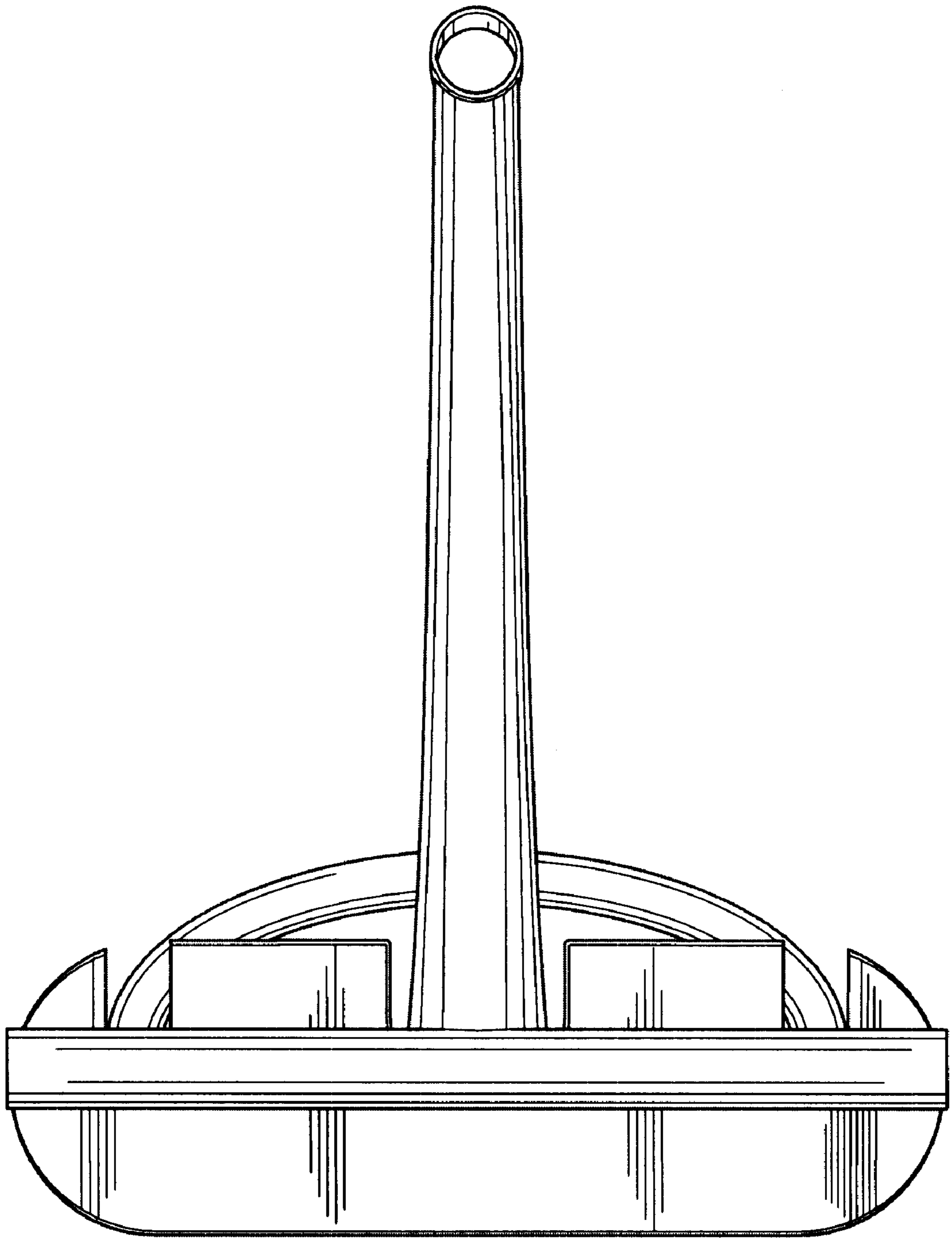


FIG. 7