



US00D478526S

(12) **United States Design Patent**
Cohen

(10) **Patent No.:** **US D478,526 S**

(45) **Date of Patent:** **** Aug. 19, 2003**

(54) **WHISTLE**

(74) *Attorney, Agent, or Firm*—Baker Botts LLP

(76) **Inventor:** **Wayne Cohen**, 44 Convent Road,
Silcom, Bangrak (TH), 10500

(57) **CLAIM**

The ornamental design of a whistle, as shown and described.

(**) **Term:** **14 Years**

DESCRIPTION

(21) **Appl. No.:** **29/166,783**

FIG. 1 is a top view of a whistle according to my new design;

(22) **Filed:** **Sep. 4, 2002**

FIG. 2 is an elevated front view of the whistle of FIG. 1;

(51) **LOC (7) Cl.** **10-05**

(52) **U.S. Cl.** **D10/119**

(58) **Field of Search** D10/119; 116/137 R,
116/139; 446/202–216

FIG. 3 is an elevated side view of the whistle of FIG. 1;

FIG. 4 is an elevated rear view of the whistle of FIG. 1;

(56) **References Cited**

U.S. PATENT DOCUMENTS

D244,787 S 6/1977 Cohen
6,386,196 B1 * 5/2002 Culton 116/137 R
6,413,139 B1 * 7/2002 Douglas 446/204

FIG. 5 is a perspective front view of the whistle of FIG. 1;
and,

FIG. 6 is a perspective side view of the whistle of FIG. 1.

The broken lines provided for illustrative purposes only and form no part of the claimed design. In addition, the portions of the whistle that are not shown in the drawing do not form any part of the claimed design.

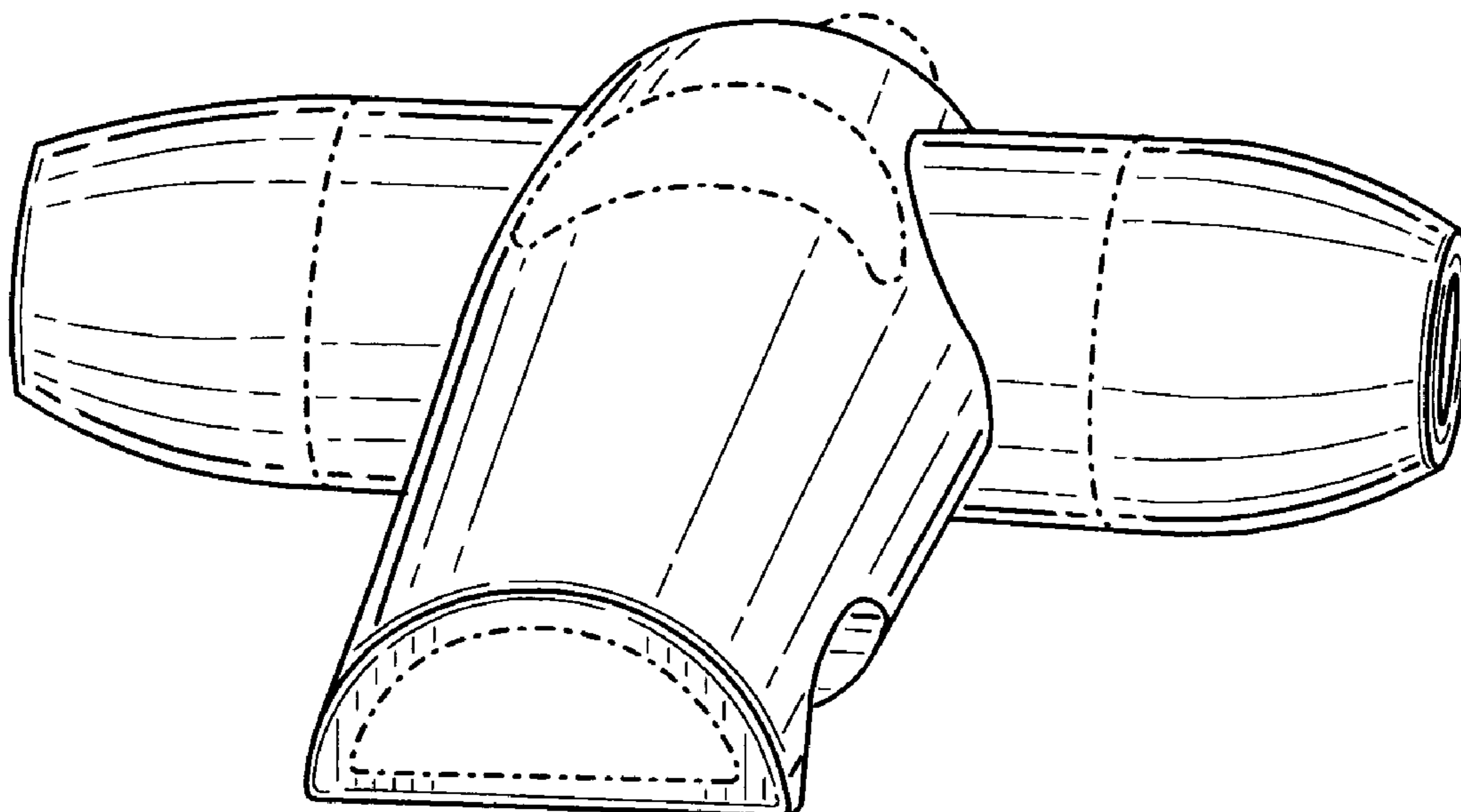
OTHER PUBLICATIONS

Google.com image search—five (5) images.

* cited by examiner

Primary Examiner—Antoine Duval Davis

1 Claim, 2 Drawing Sheets



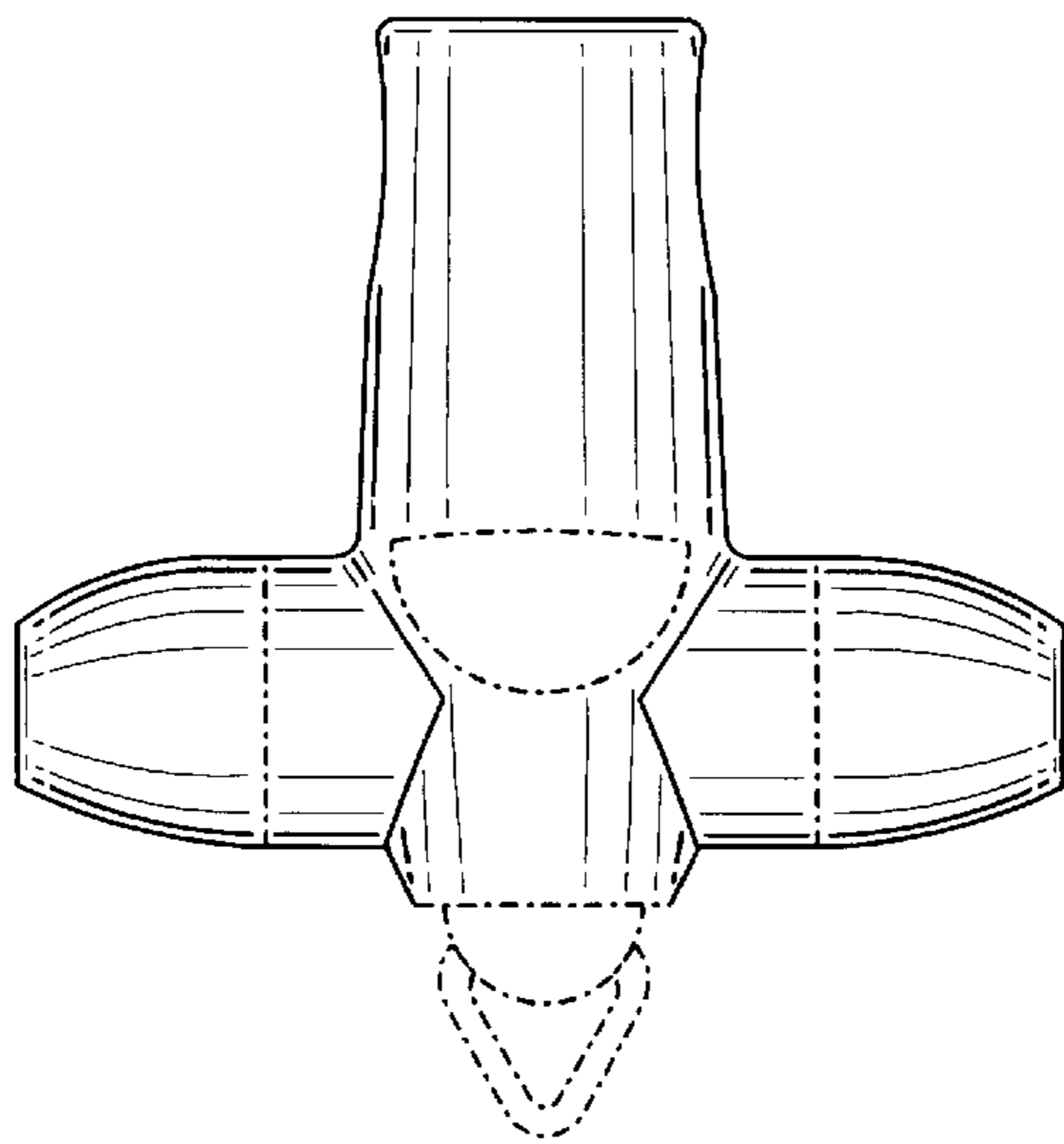


FIG. 1

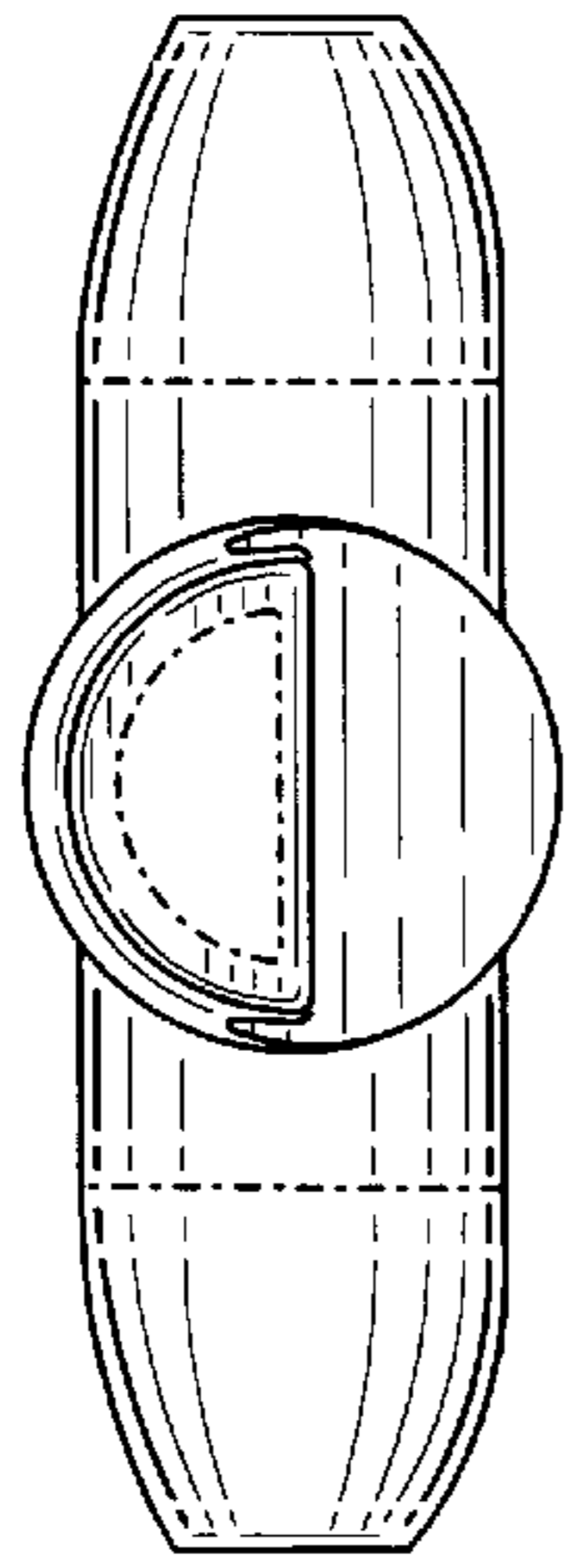


FIG. 2

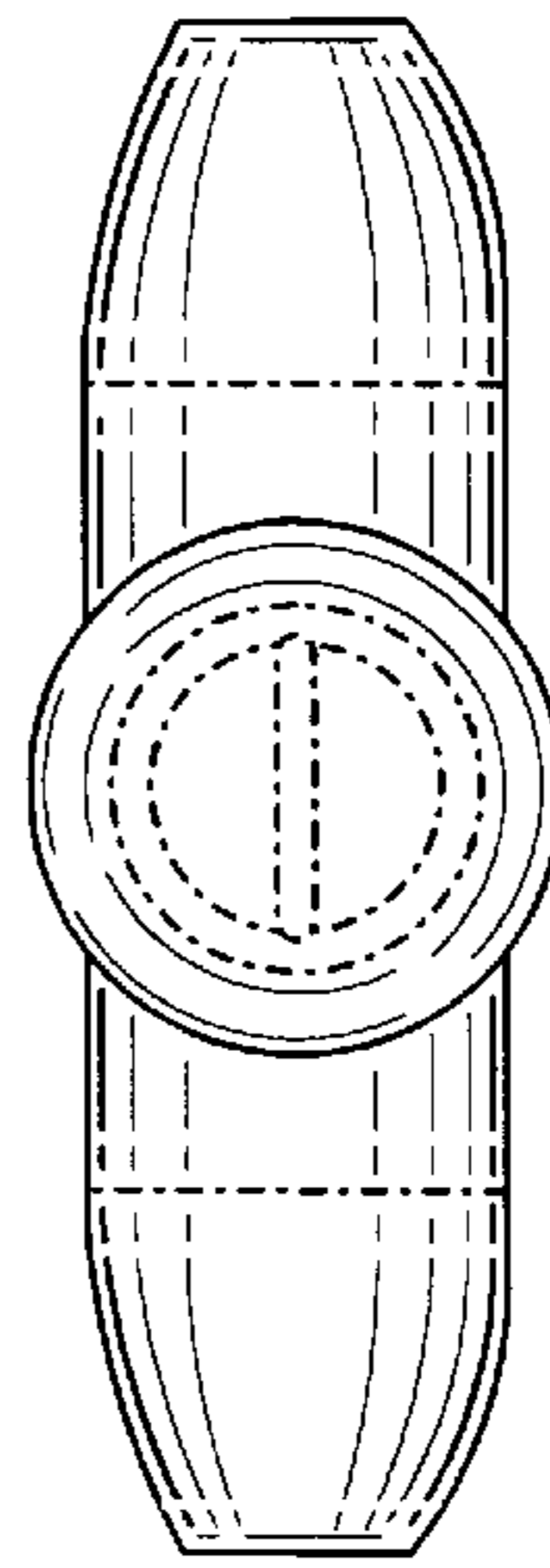


FIG. 4

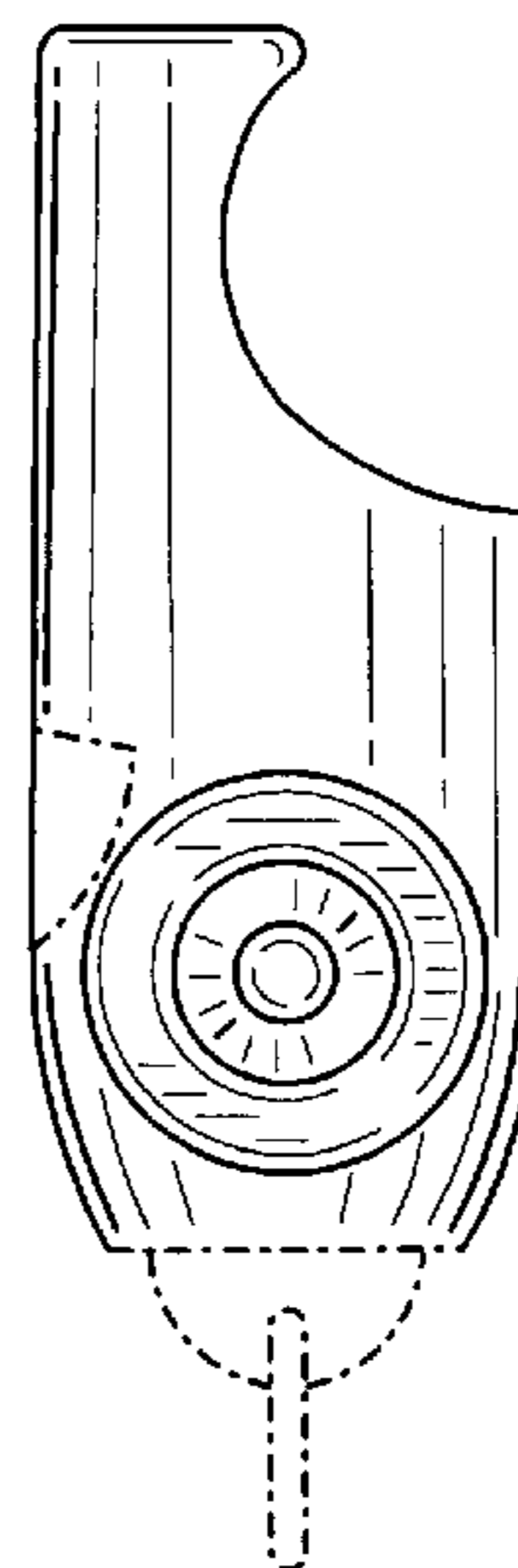


FIG. 3

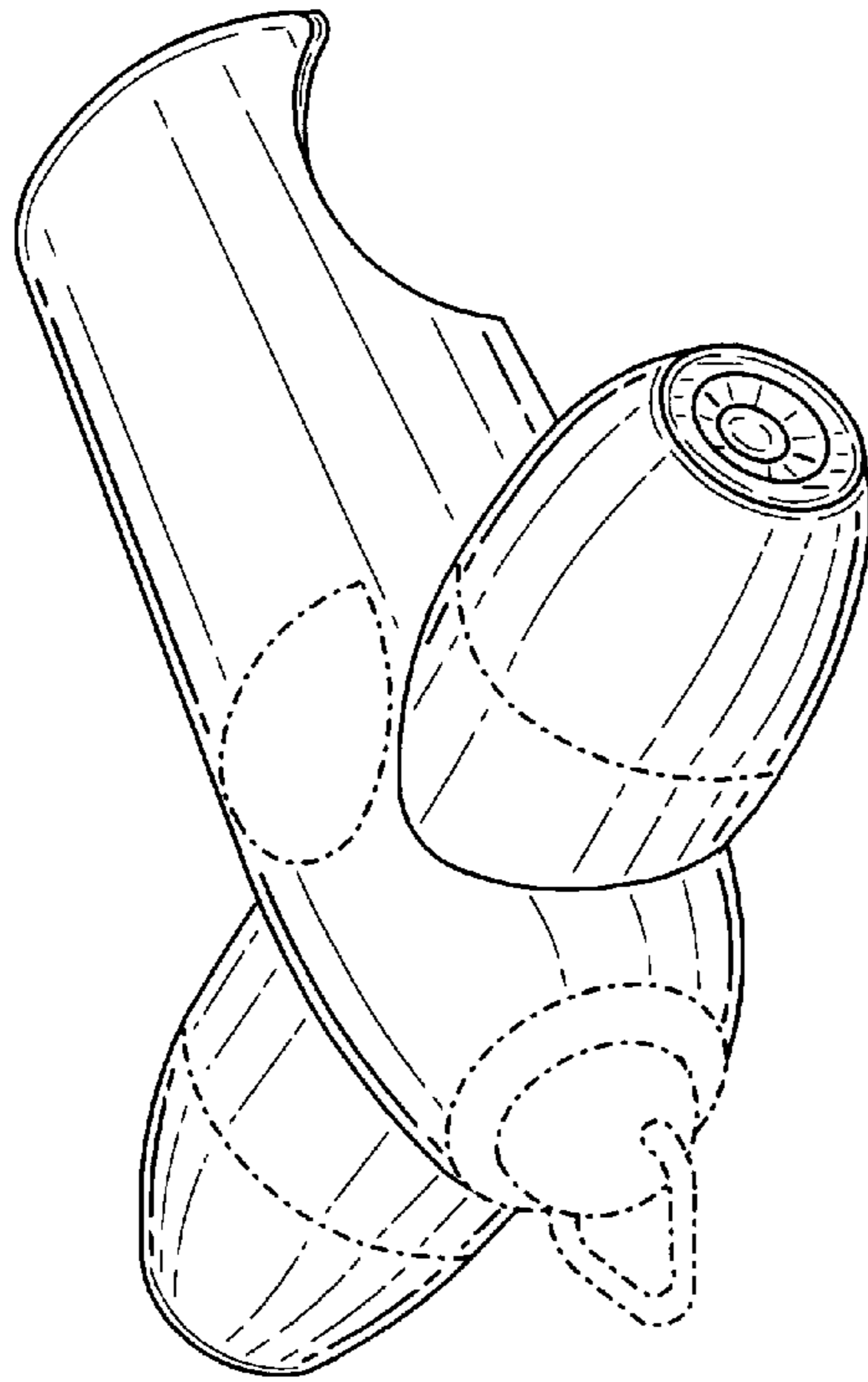


FIG. 6

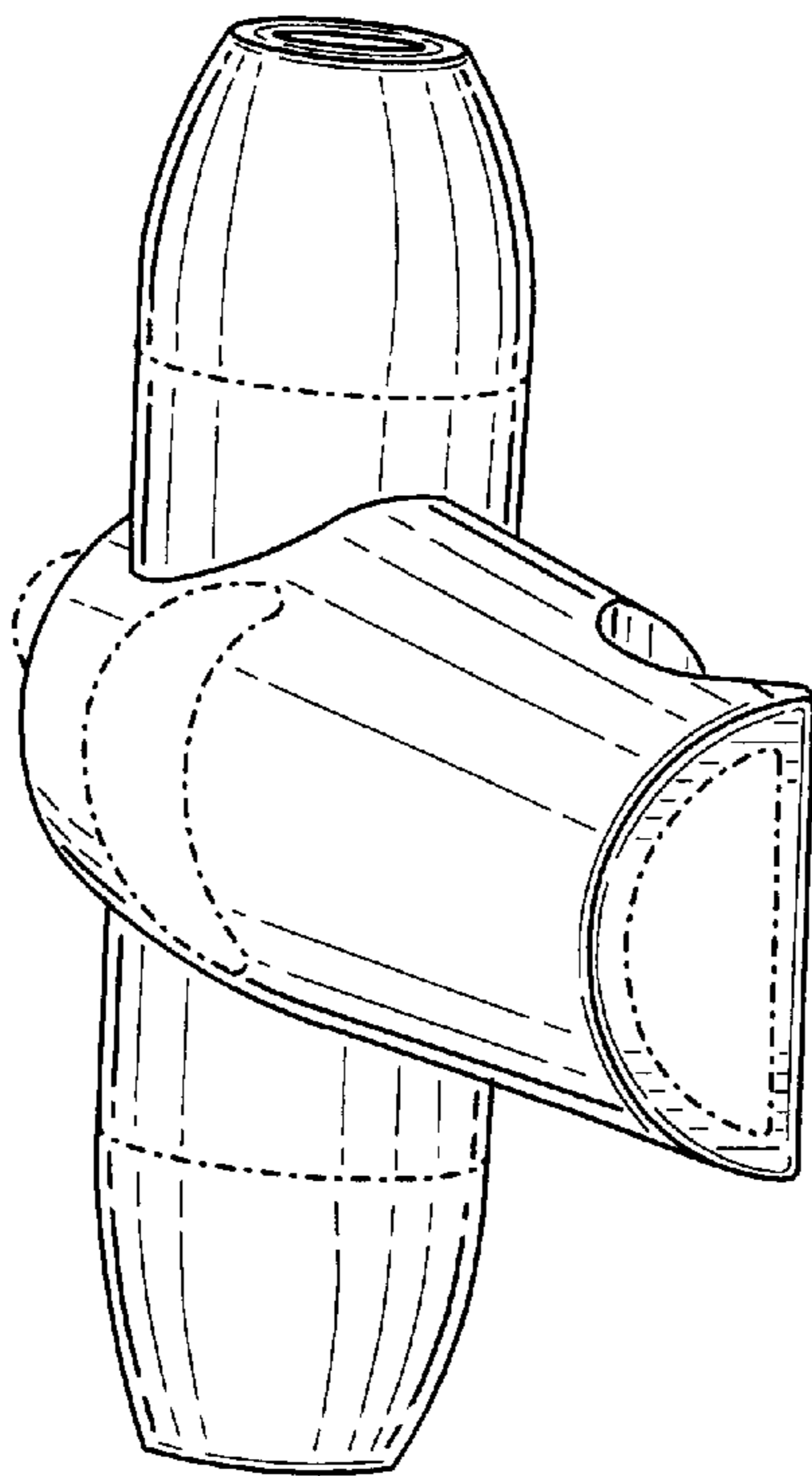


FIG. 5