



US00D478524S

(12) **United States Design Patent**  
**Richtter**

(10) **Patent No.:** **US D478,524 S**

(45) **Date of Patent:** **\*\* Aug. 19, 2003**

(54) **WAITSTAFF SIGNALING DEVICE**

*Primary Examiner*—Antoine Duval Davis

(76) Inventor: **Norma Richtter**, 32-45 90th St., Apt  
209, East Elmhurst, NY (US) 11369

(57) **CLAIM**

(\*\*) Term: **14 Years**

The ornamental design for a waitstaff signaling device, as shown and described.

(21) Appl. No.: **29/170,238**

**DESCRIPTION**

(22) Filed: **Nov. 1, 2002**

FIG. 1 is a perspective view of a waitstaff signaling device showing my new design;

(51) **LOC (7) Cl.** ..... **10-05**

FIG. 2 is a front elevational view thereof;

(52) **U.S. Cl.** ..... **D10/104**

FIG. 3 is a rear elevational view thereof;

(58) **Field of Search** ..... D10/104; D14/155,  
D14/299; 340/321, 286.09; 429/1

FIG. 4 is a top plan view thereof;

FIG. 5 is a bottom plan view thereof; and,

(56) **References Cited**

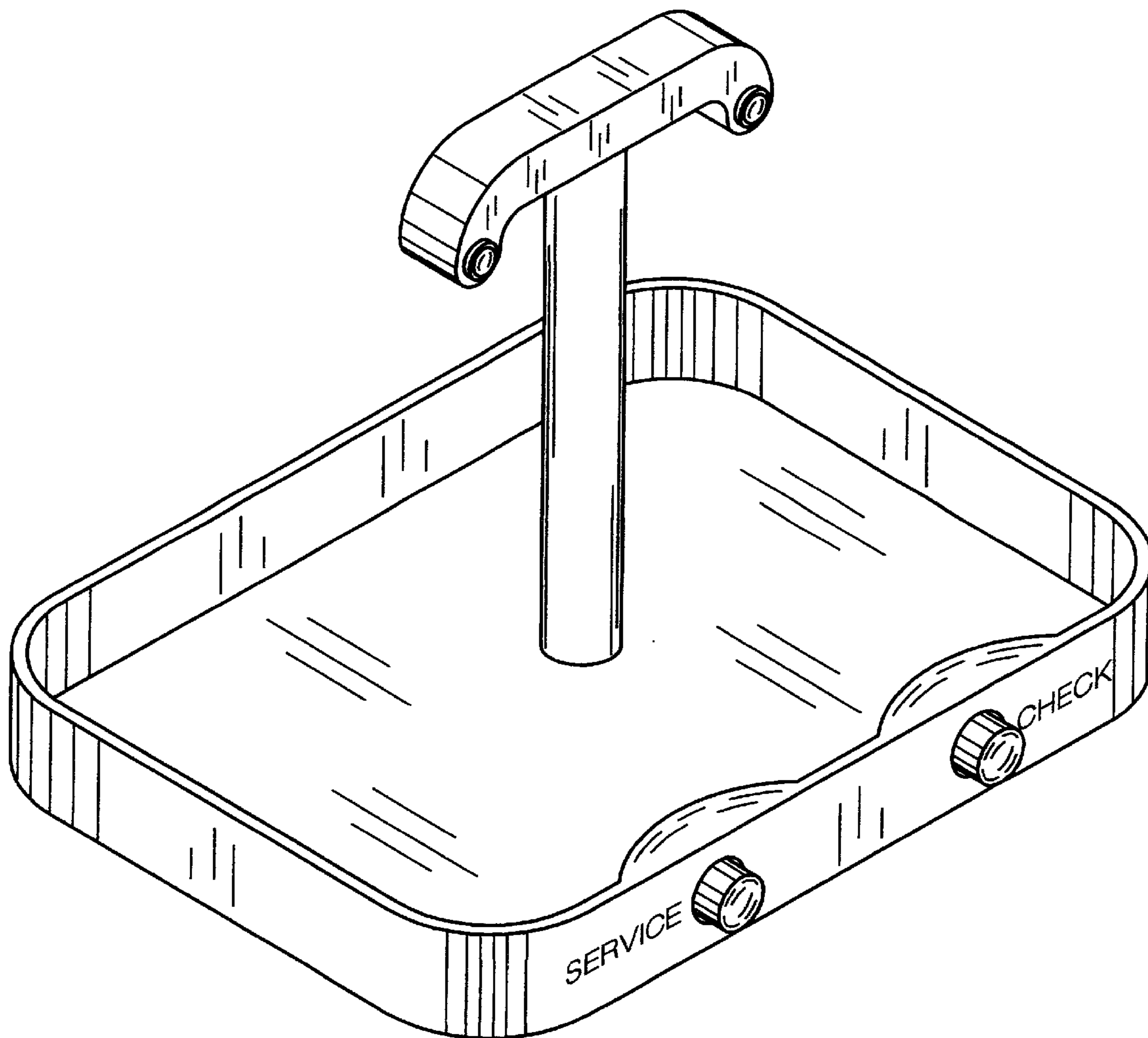
**U.S. PATENT DOCUMENTS**

FIG. 6 is a side view, taken from the left side of FIG. 1, the right side being a mirror image thereof.

5,355,115 A \* 10/1994 Goor et al. .... 340/321

\* cited by examiner

**1 Claim, 4 Drawing Sheets**



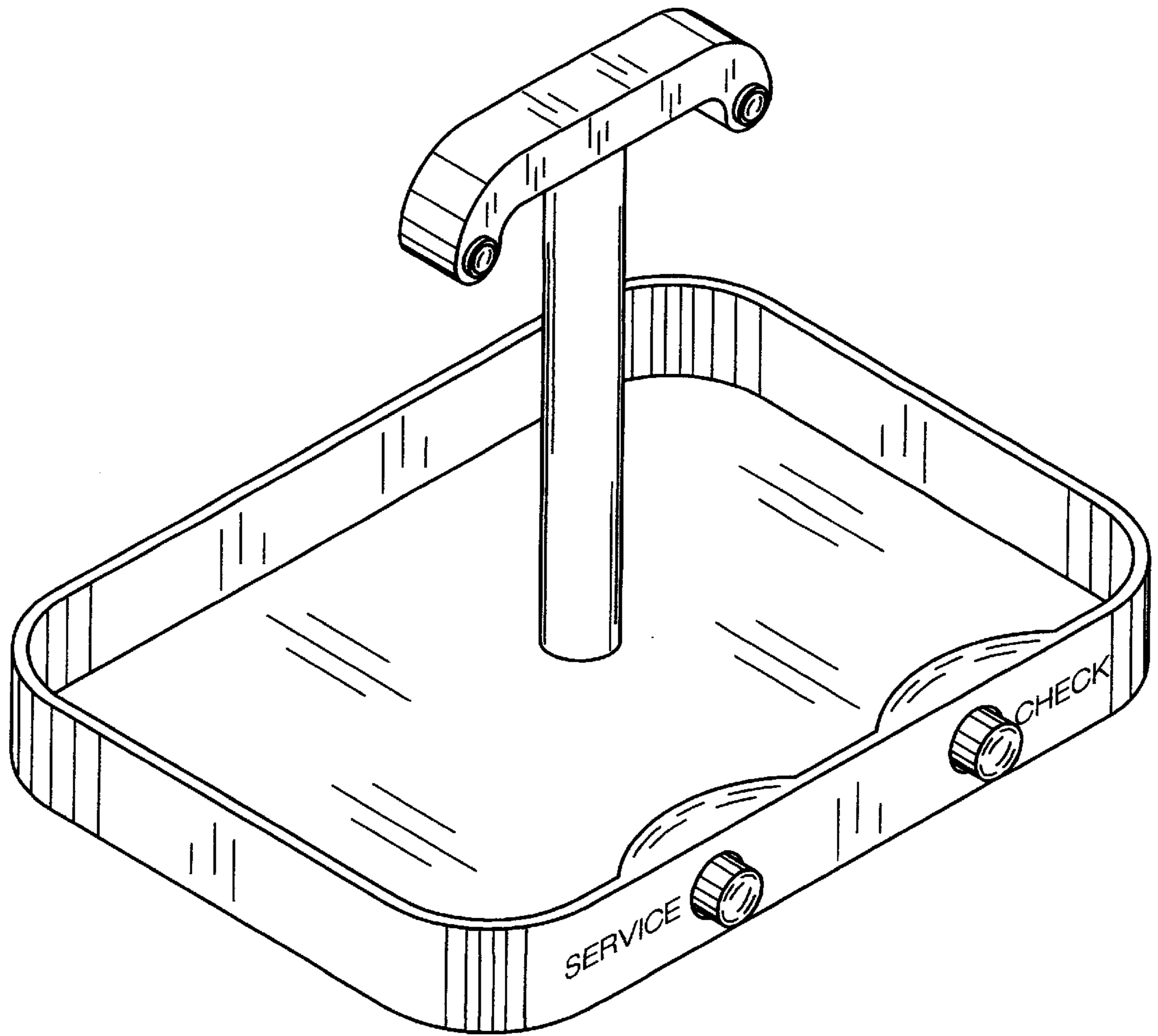


FIG. 1

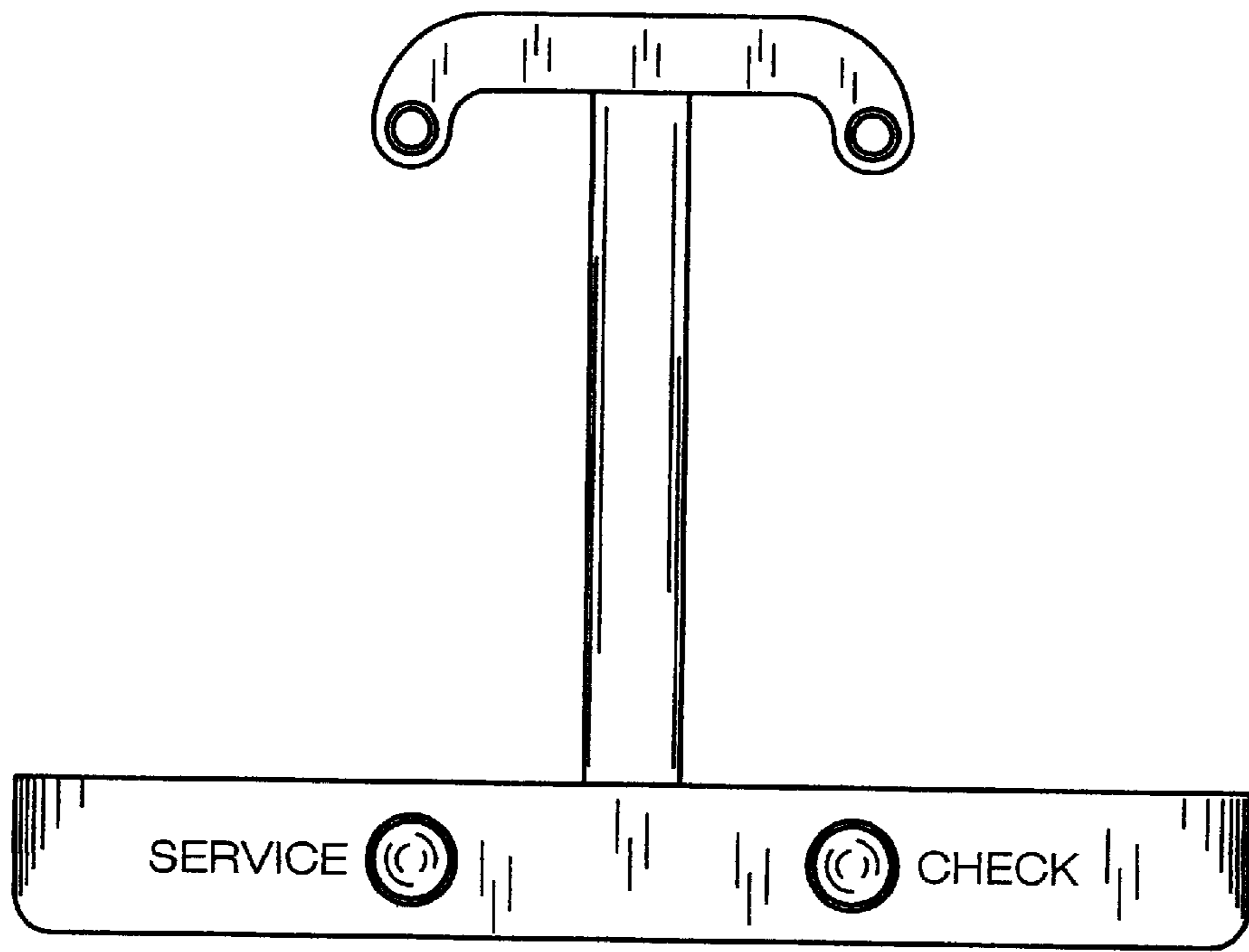


FIG. 2

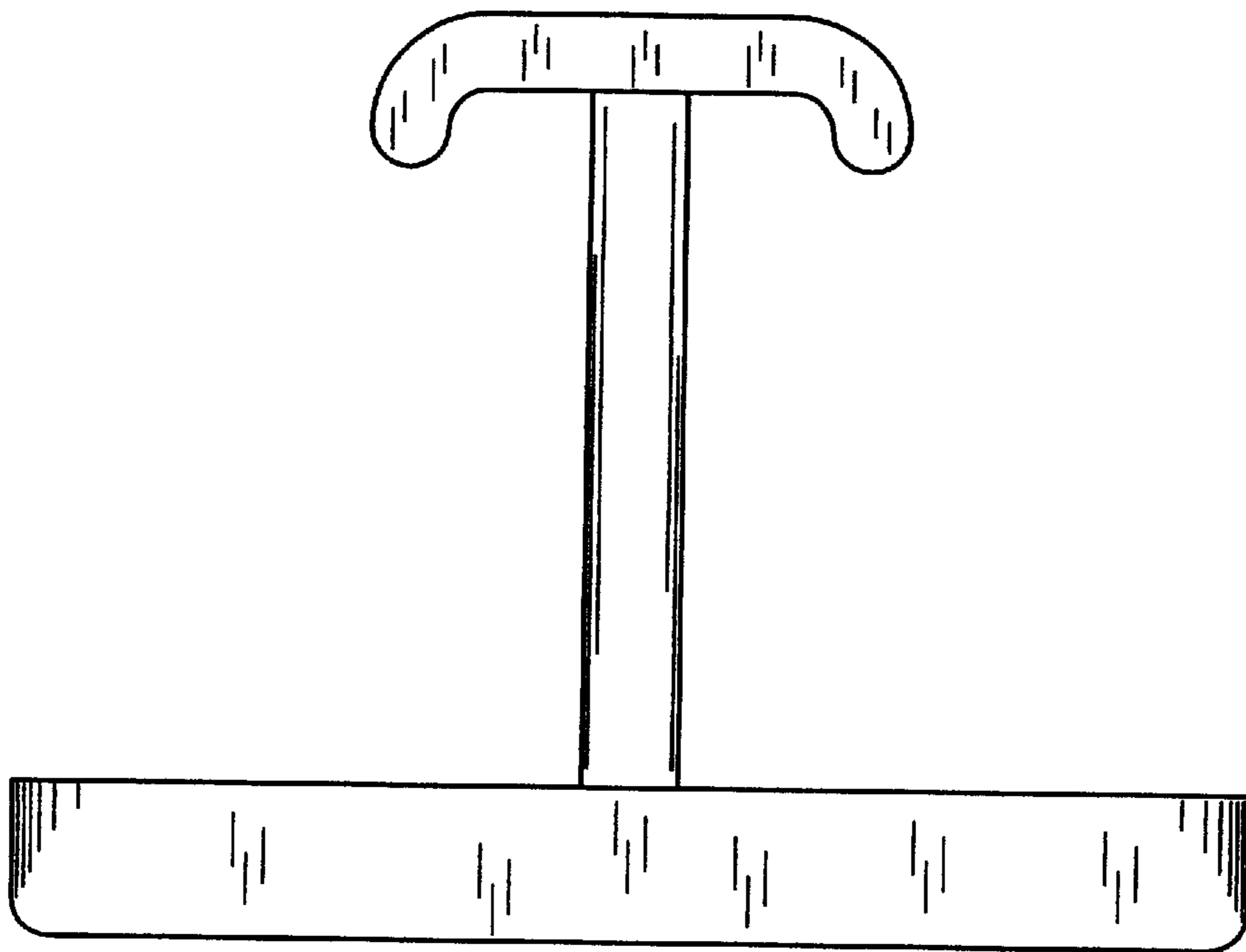


FIG. 3

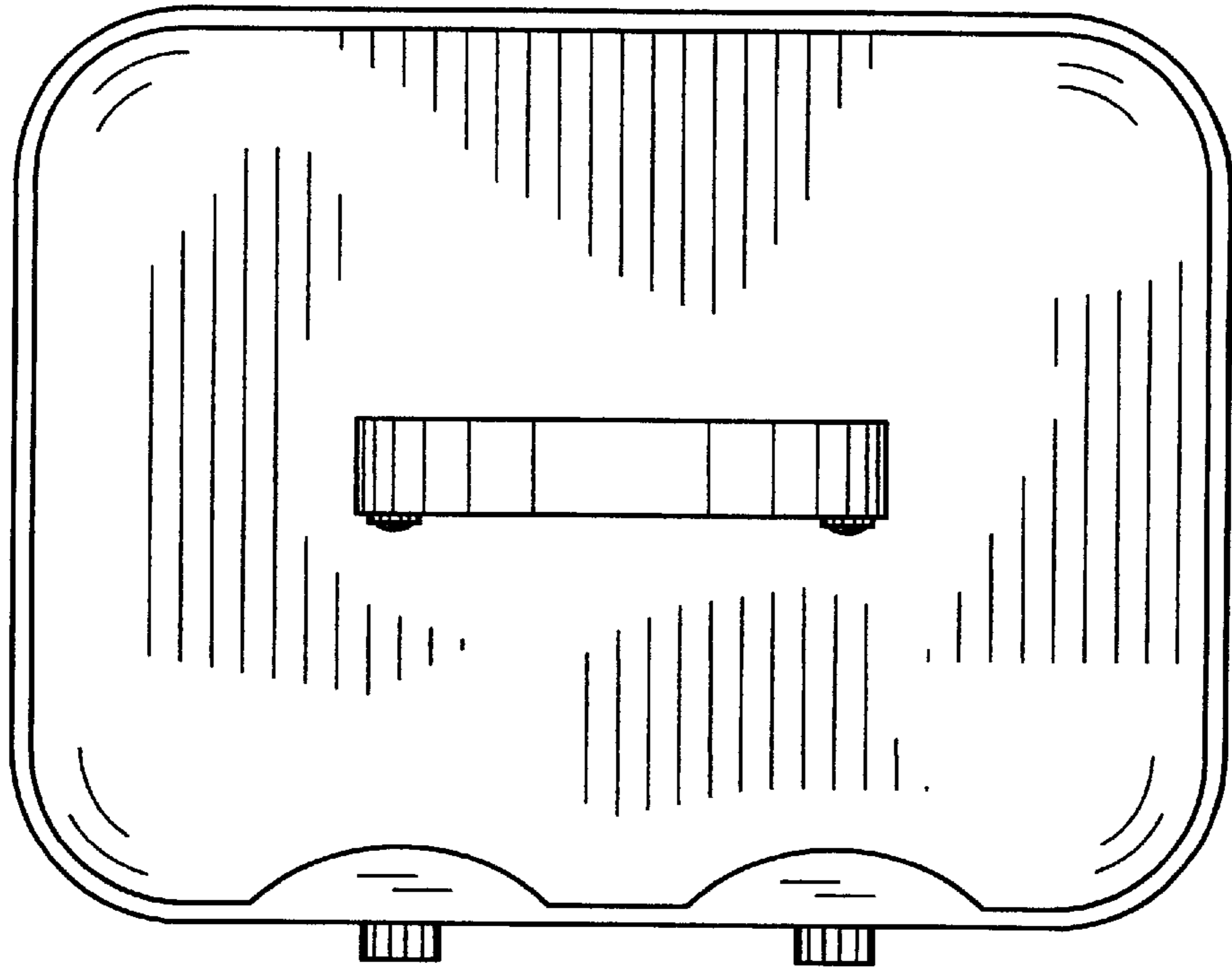


FIG. 4

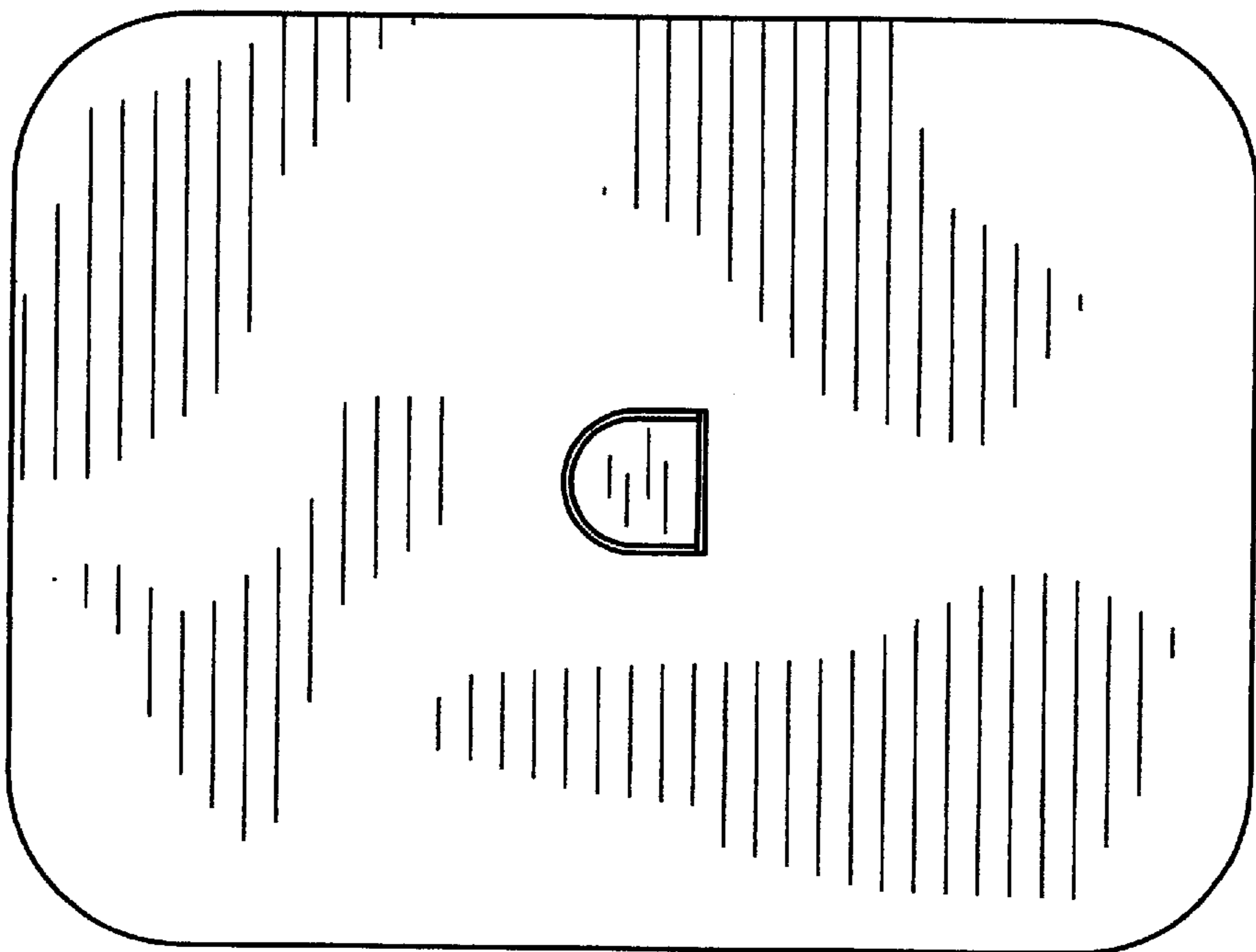


FIG. 5

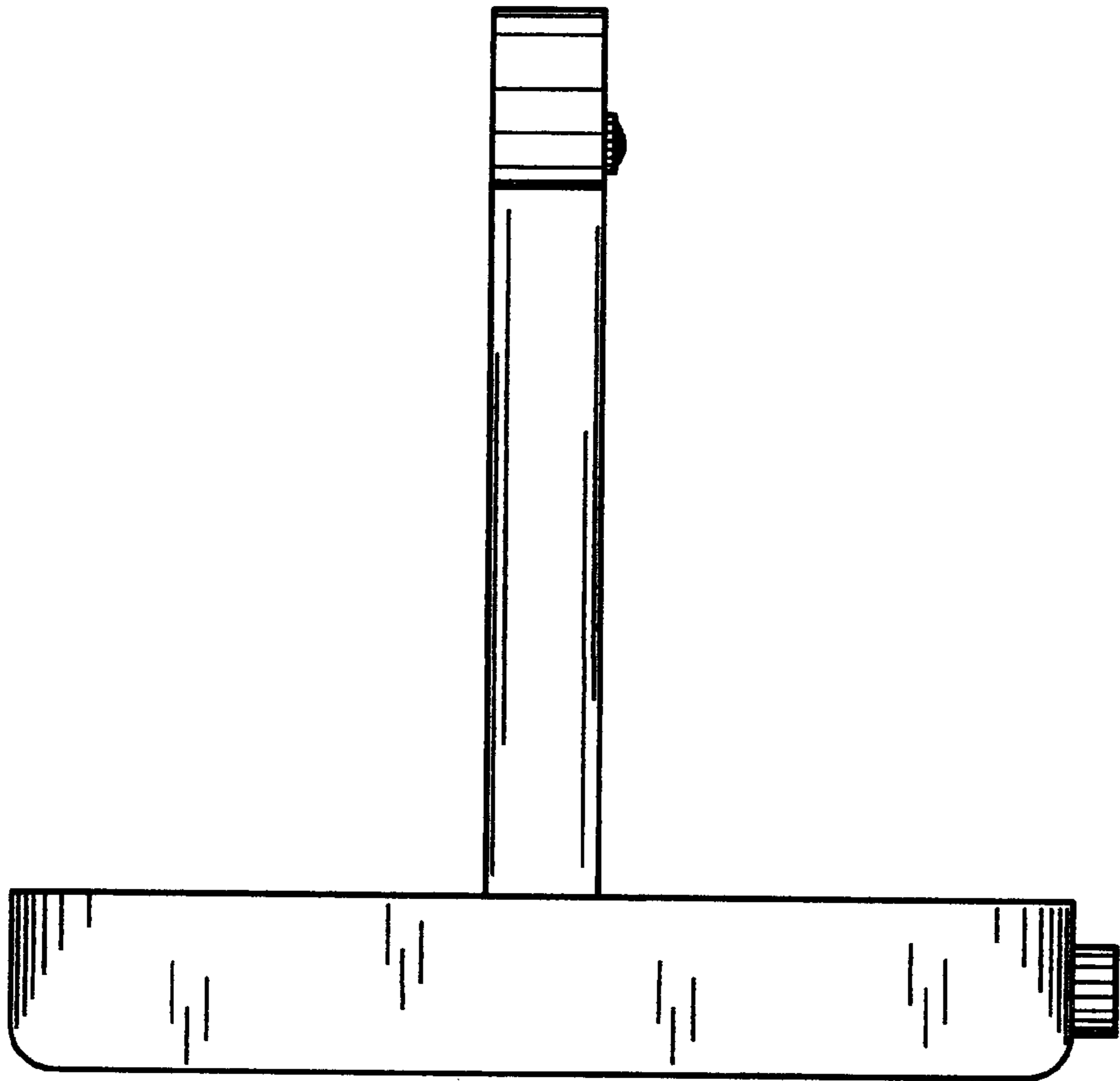


FIG. 6