



US00D478522S

(12) **United States Design Patent**
Geist

(10) **Patent No.:** **US D478,522 S**

(45) **Date of Patent:** **** Aug. 19, 2003**

(54) **CARBON DIOXIDE INDICATOR**

(75) Inventor: **Leroy D. Geist**, Parker, CO (US)

(73) Assignee: **Vital Signs, Inc.**, Totawa, NJ (US)

(**) Term: **14 Years**

(21) Appl. No.: **29/168,777**

(22) Filed: **Oct. 8, 2002**

(51) **LOC (7) Cl.** **10-04**

(52) **U.S. Cl.** **D10/81**

(58) **Field of Search** D10/81; 128/207.14,
128/207.17, 202.22, 205.23

(56) **References Cited**

U.S. PATENT DOCUMENTS

6,502,573 B1 * 1/2003 Ratner 128/207.17

* cited by examiner

Primary Examiner—Antoine Duval Davis

(74) *Attorney, Agent, or Firm*—R. Gale Rhodes, Jr.

(57) **CLAIM**

The ornamental design for the carbon dioxide indicator, as shown and described.

DESCRIPTION

FIG. 1 is a side view of a carbon dioxide indicator showing my new design;

FIG. 2 is a top view thereof;

FIG. 3 is a bottom view thereof;

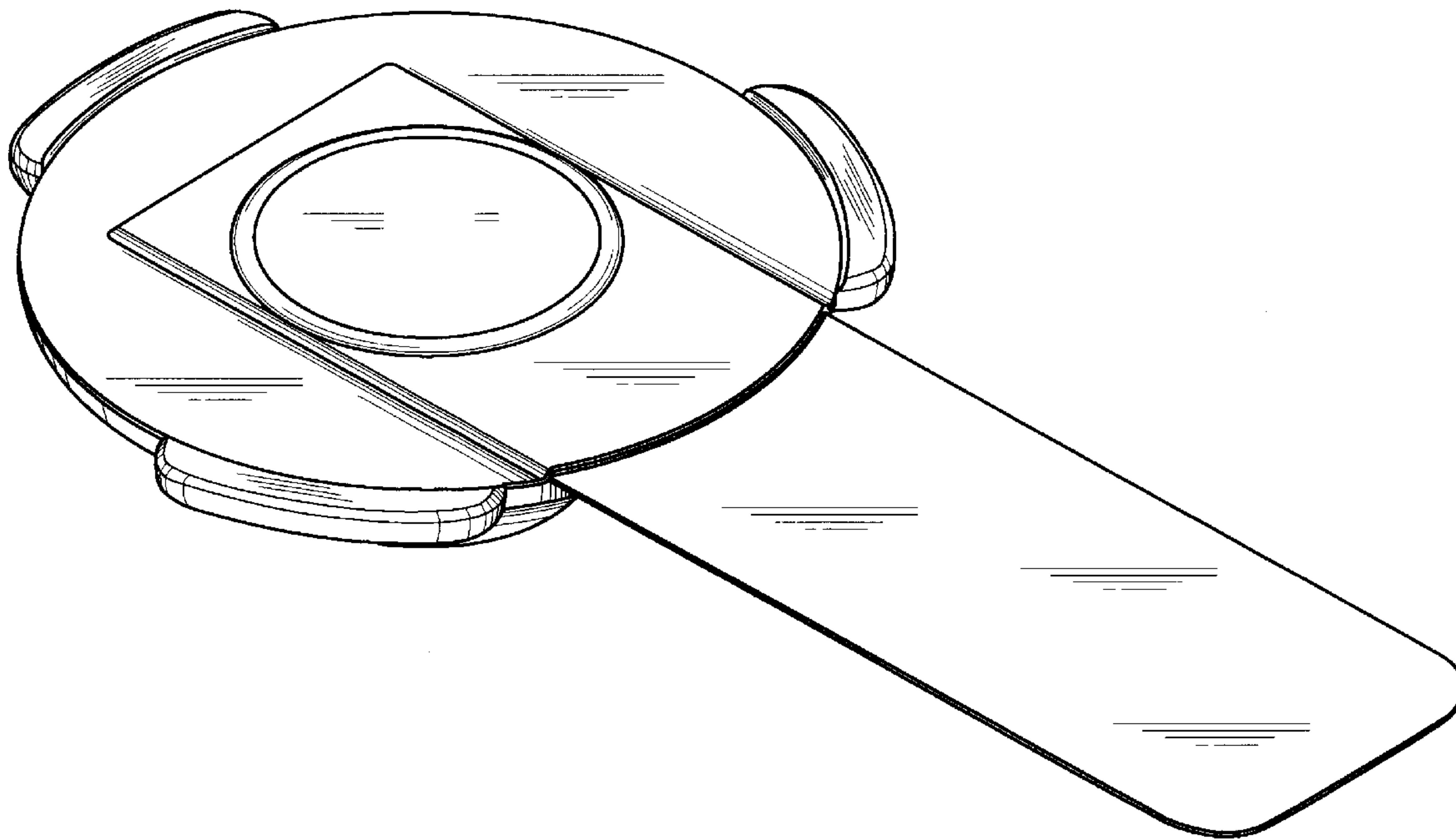
FIG. 4 is a left end view thereof;

FIG. 5 is a right end view thereof;

FIG. 6 is a top perspective view thereof; and,

FIG. 7 is a bottom perspective view thereof.

1 Claim, 6 Drawing Sheets



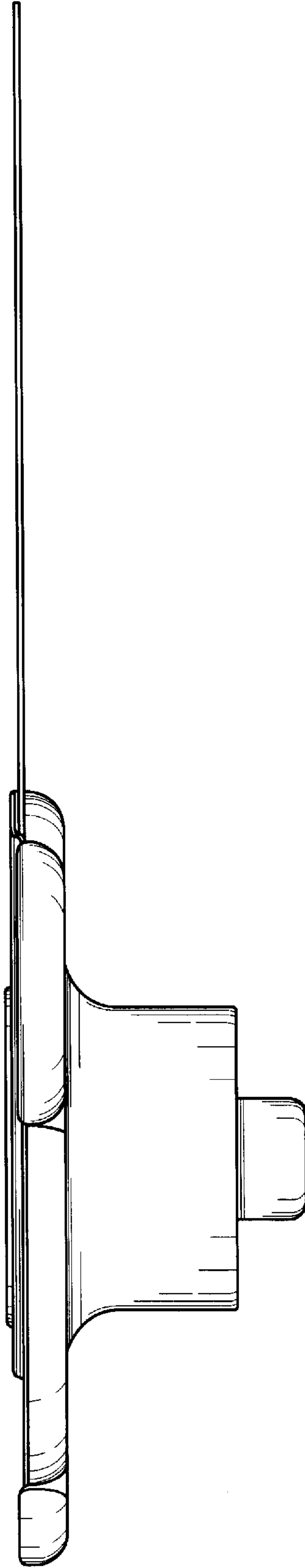


FIG. 1

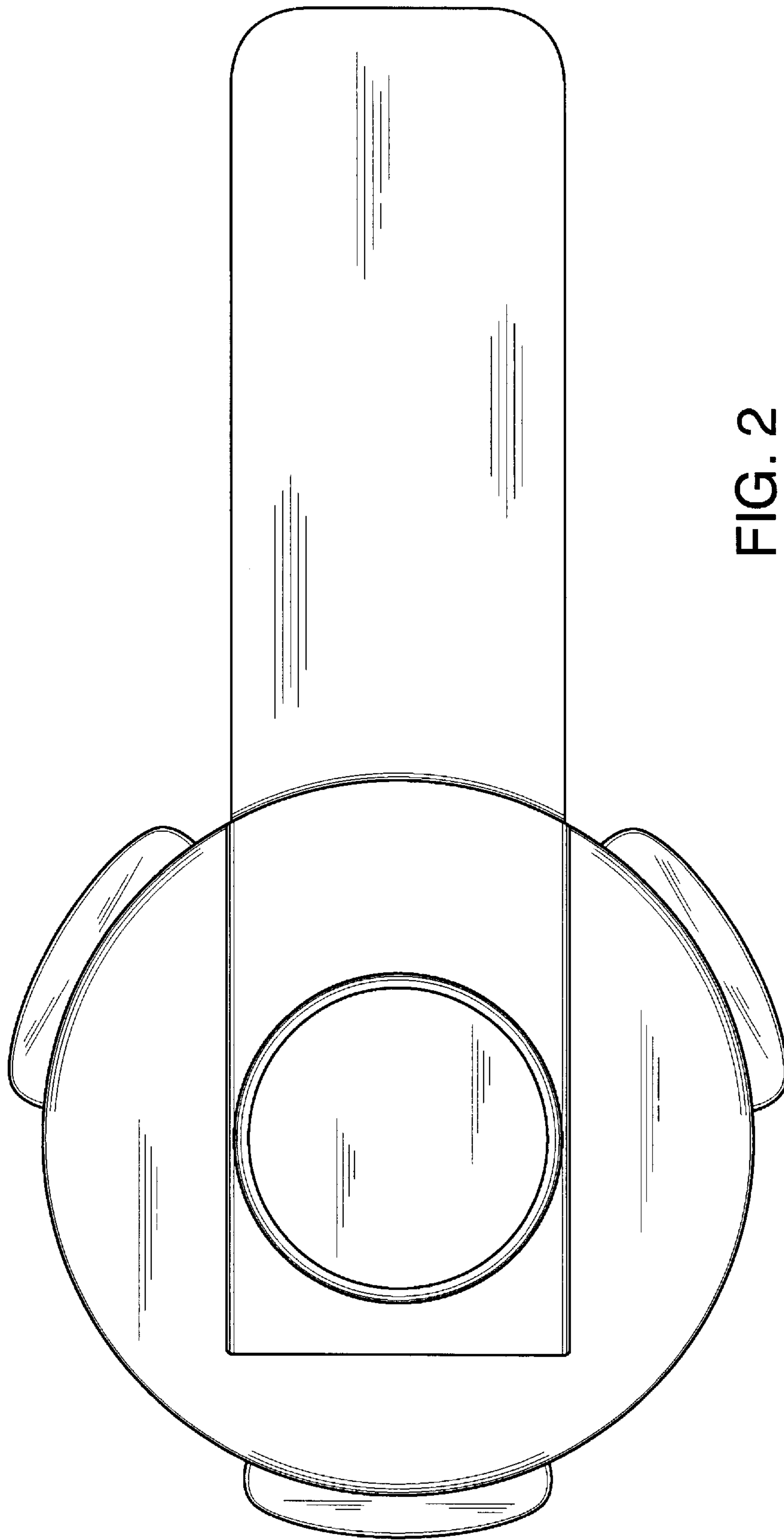


FIG. 2

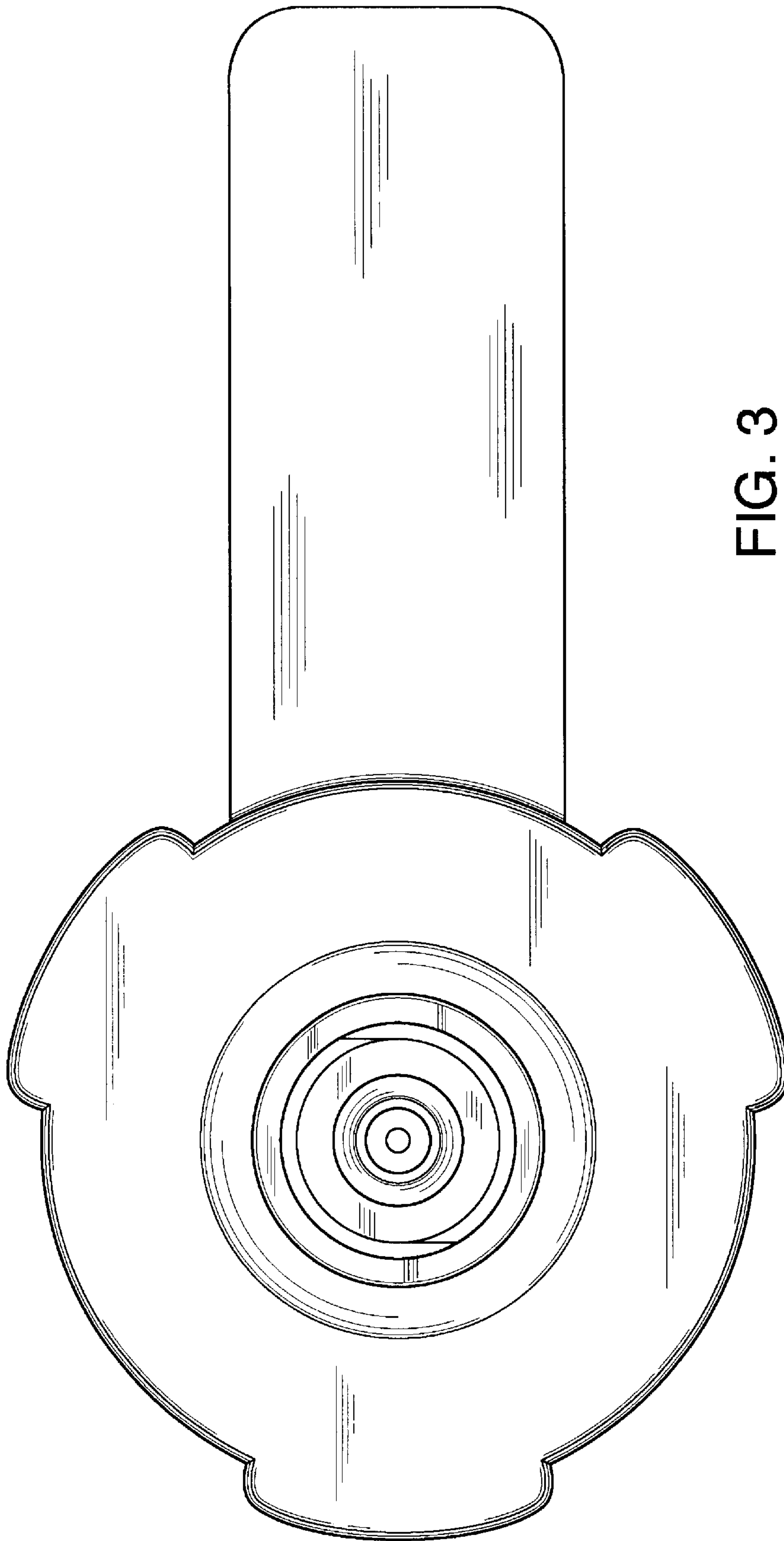


FIG. 3

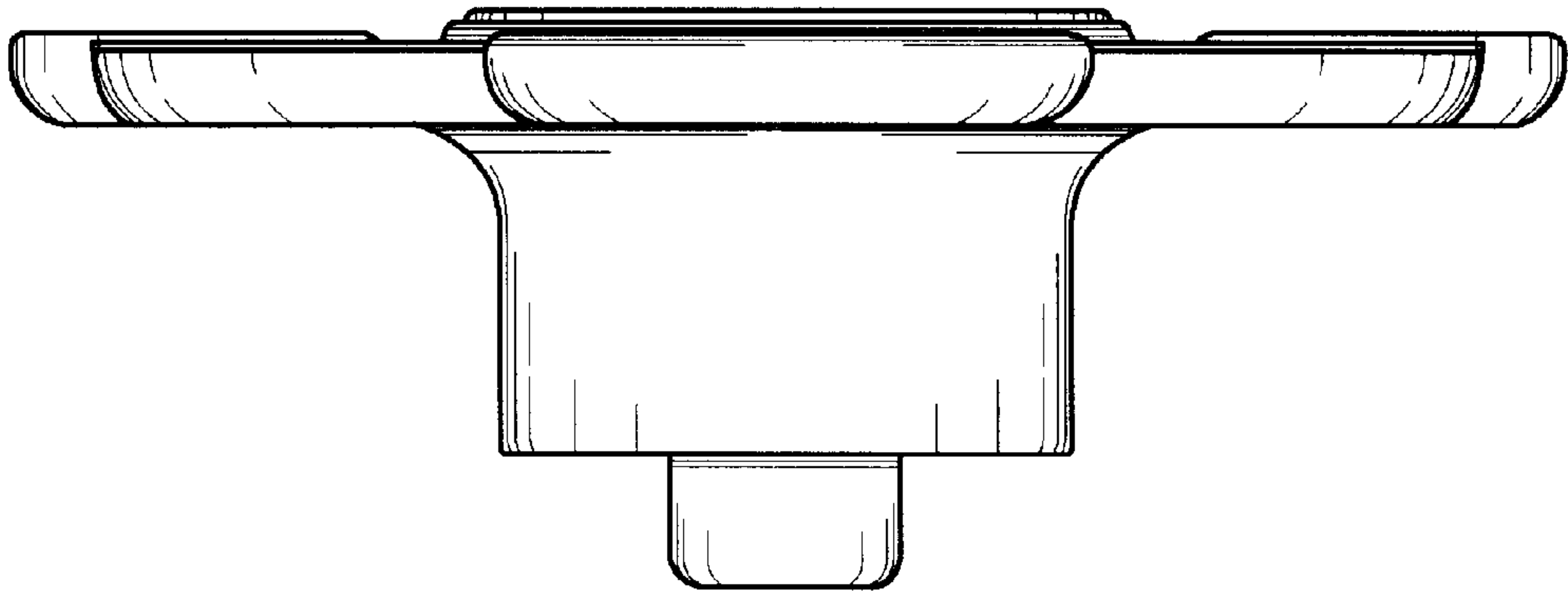


FIG. 4

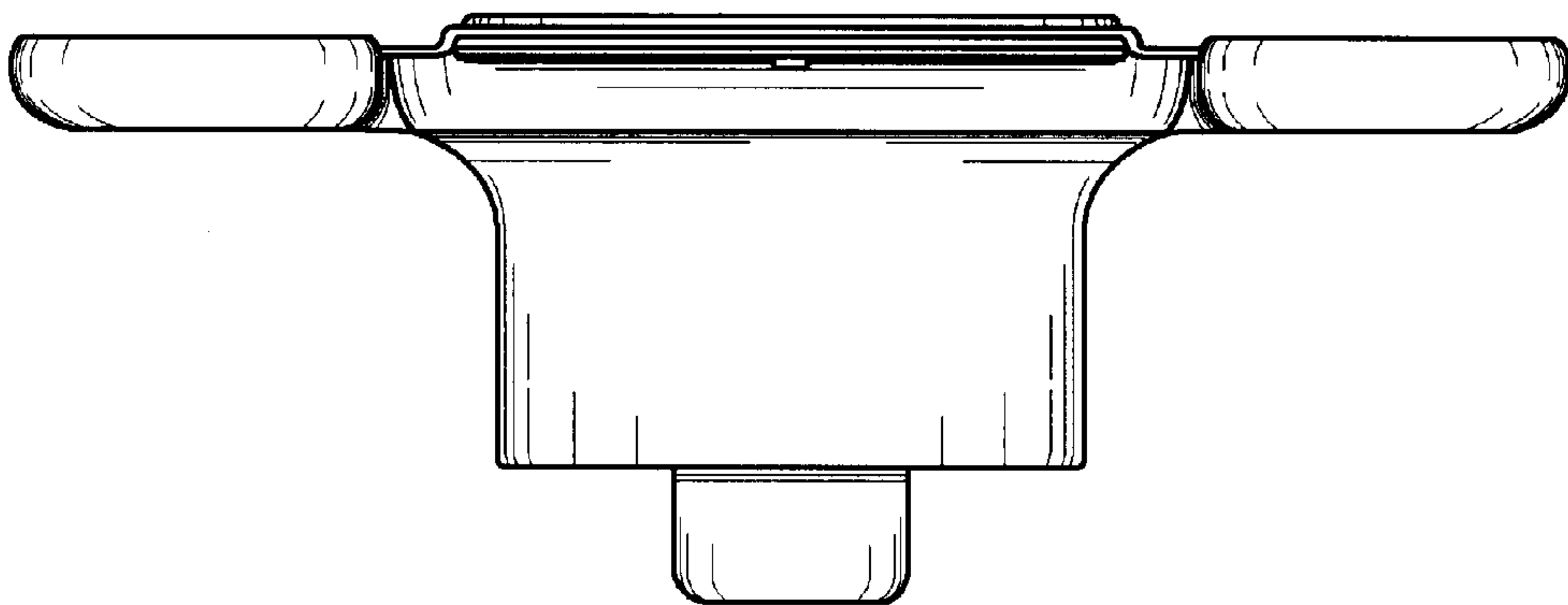


FIG. 5

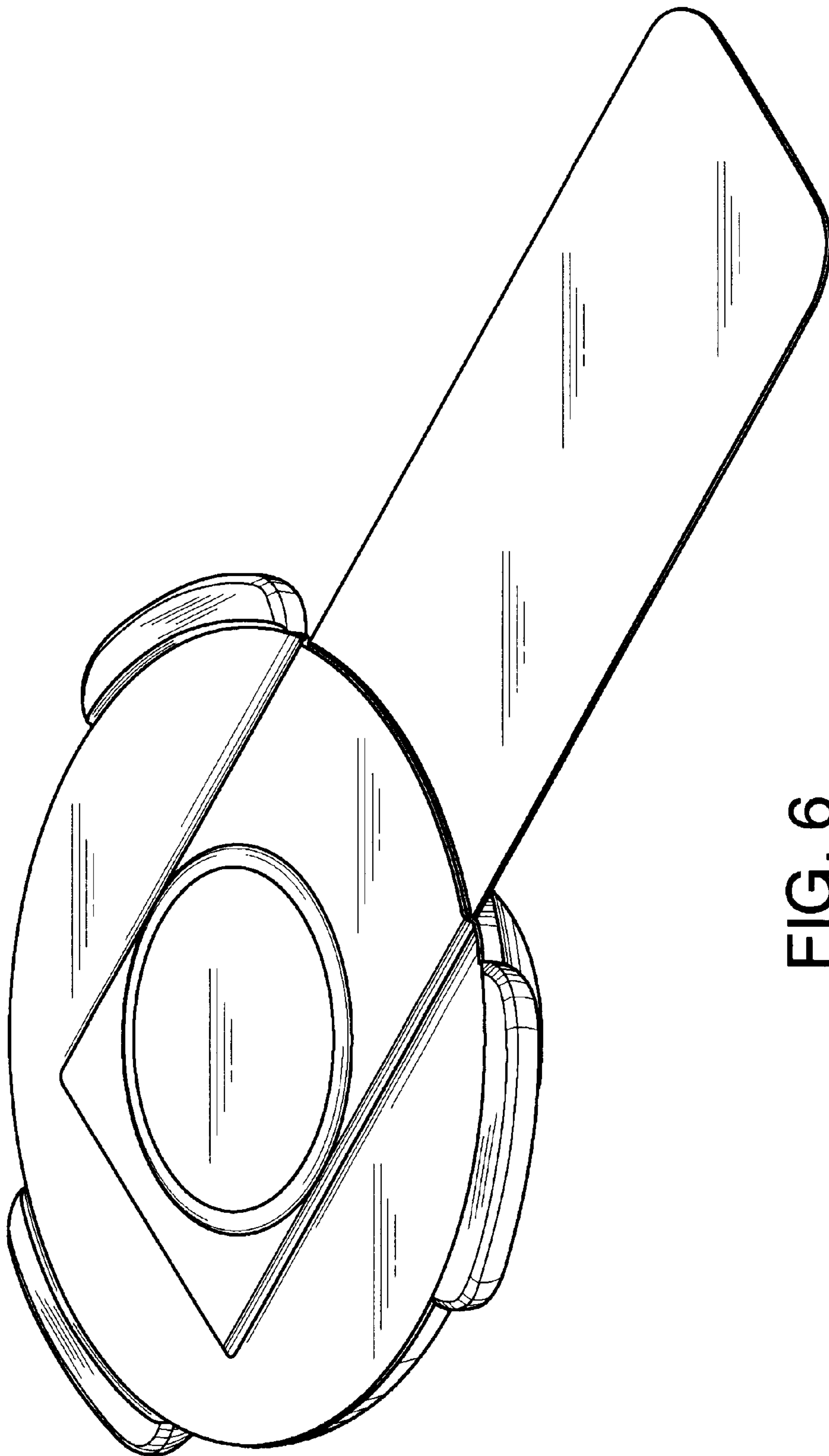


FIG. 6

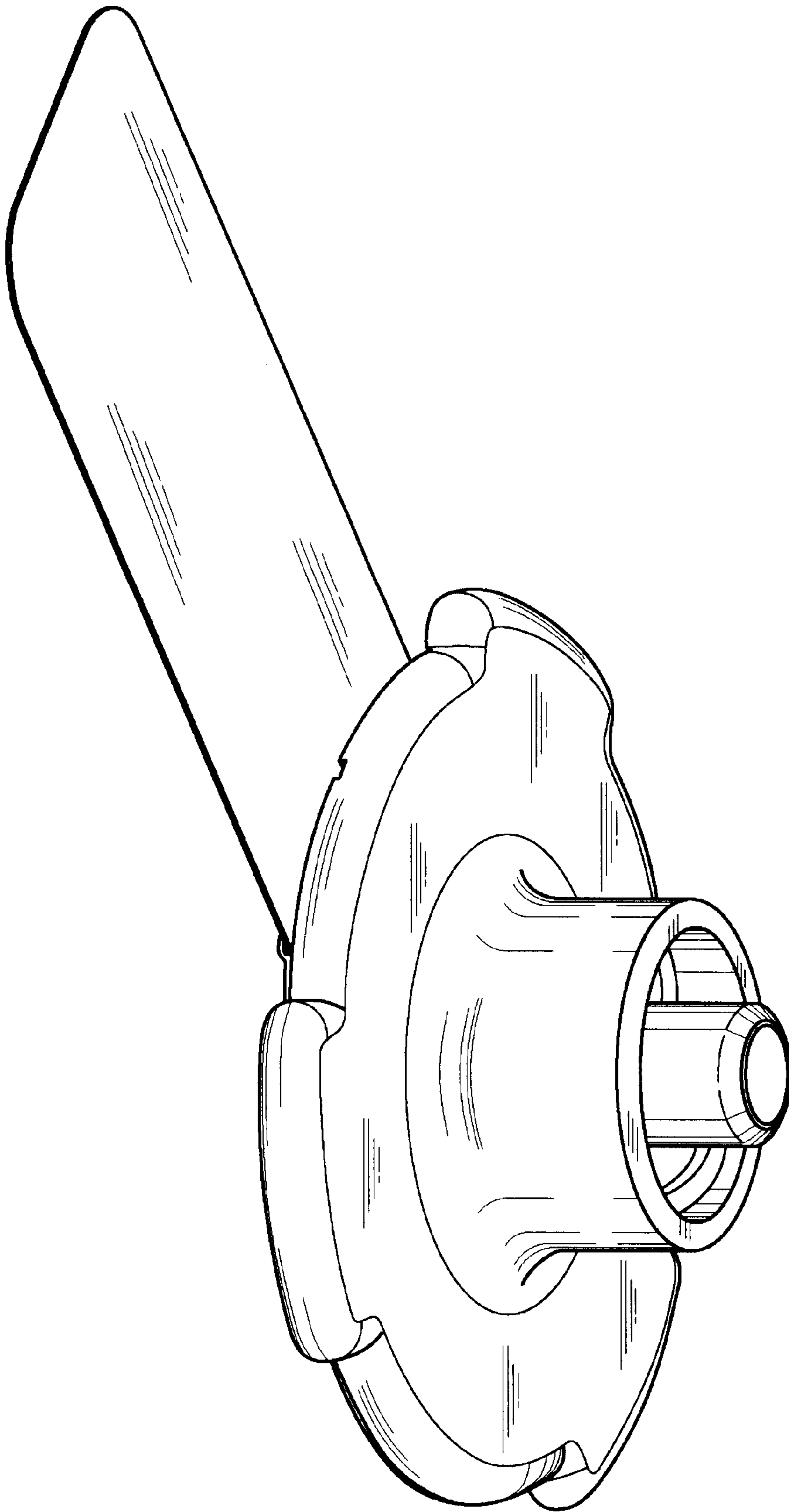


FIG. 7