



US00D478519S

(12) **United States Design Patent**
Black

(10) **Patent No.:** **US D478,519 S**

(45) **Date of Patent:** **** Aug. 19, 2003**

(54) **RULER**

(76) Inventor: **Nigel Harrison Black**, 7 Boleyn Court,
64 The Avenue, Beckenham, Kent (GB),
BR3 5LF

(**) Term: **14 Years**

(21) Appl. No.: **29/166,699**

(22) Filed: **Sep. 4, 2002**

(30) **Foreign Application Priority Data**

Mar. 28, 2002 (GB) 3002621

(51) **LOC (7) Cl.** **10-04**

(52) **U.S. Cl.** **D10/71**

(58) **Field of Search** D10/71; 33/483-494

(56) **References Cited**

U.S. PATENT DOCUMENTS

D259,476 S * 6/1981 Feingold et al. D10/71

D311,873 S * 11/1990 Arend D10/71

D395,611 S * 6/1998 Oren D10/71

6,434,844 B1 * 8/2002 Rank 33/494

* cited by examiner

Primary Examiner—Antoine Duval Davis

(74) *Attorney, Agent, or Firm*—Larson & Taylor PLC

(57) **CLAIM**

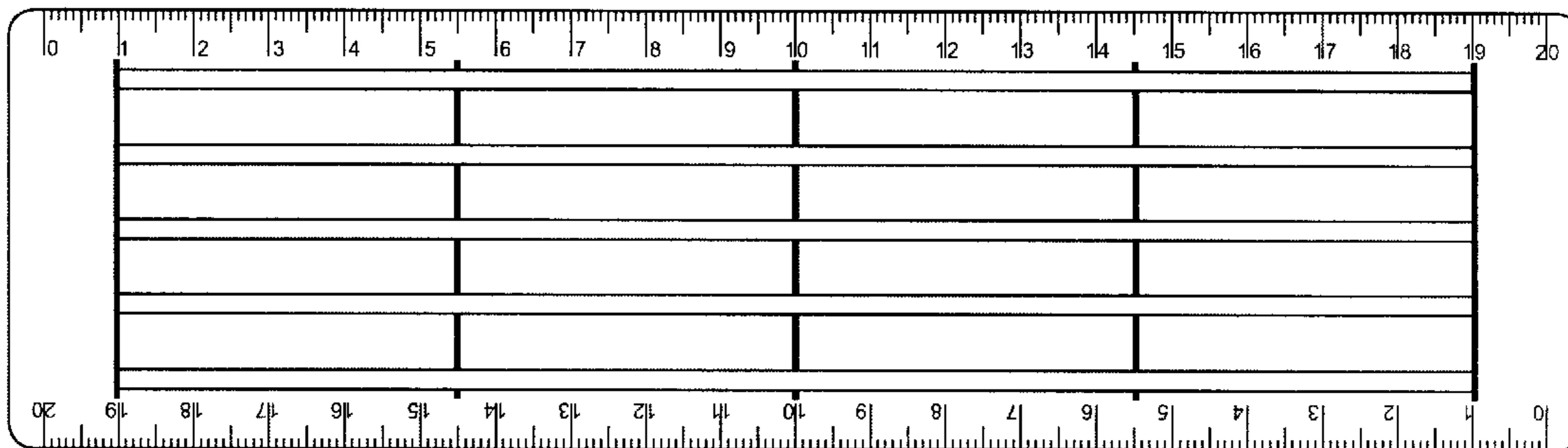
The ornamental design for a ruler, as shown and described.

DESCRIPTION

FIG. 1 is plan view of a ruler according to the present invention; and,

FIG. 2 is a perspective front, bottom and left side view of the ruler depicted in FIG. 1.

1 Claim, 1 Drawing Sheet



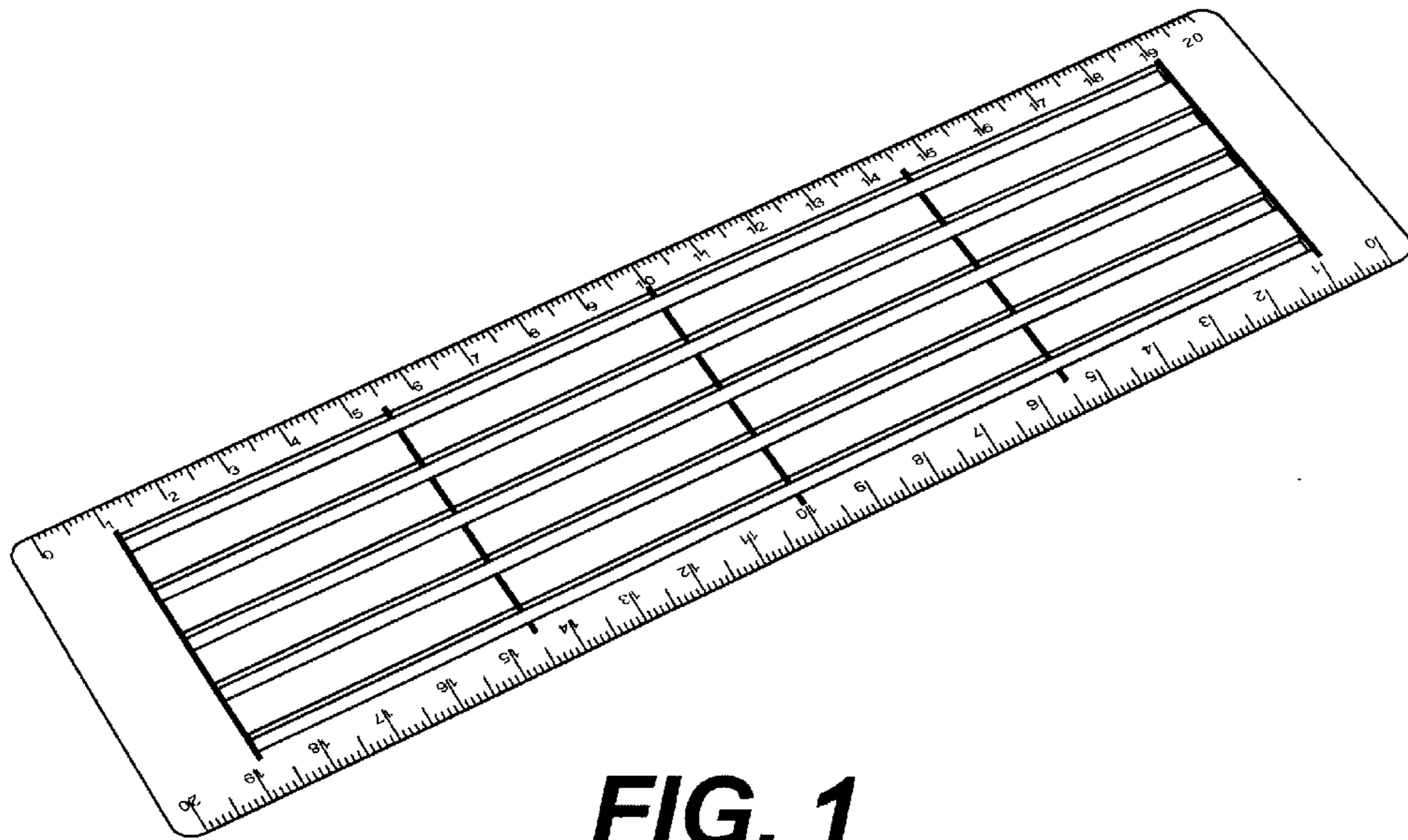


FIG. 1

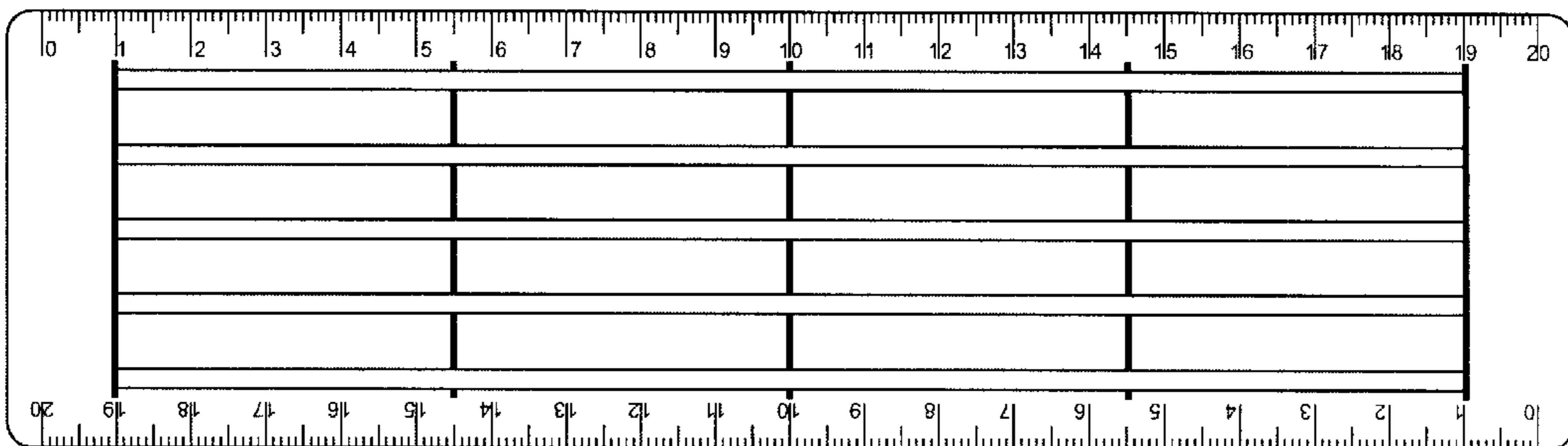


FIG. 2