



US00D478513S

(12) **United States Design Patent**
Canamasas Puigbo

(10) **Patent No.:** **US D478,513 S**

(45) **Date of Patent:** **** Aug. 19, 2003**

(54) **FLASK**

(76) **Inventor:** **Aniceto Canamasas Puigbo**, Avenida Josep Tarradellas, 97 entlo. 1^a, 08029 Barcelona (ES)

(**) **Term:** **14 Years**

(21) **Appl. No.:** **29/166,334**

(22) **Filed:** **Aug. 26, 2002**

(30) **Foreign Application Priority Data**

Feb. 26, 2002 (ES) 153496

(51) **LOC (7) Cl.** **09-01**

(52) **U.S. Cl.** **D9/529**

(58) **Field of Search** D9/337-338, 341, D9/347, 500, 502-505, 516, 529, 549, 558, 560, 574; D28/76, 82, 91; 215/10, 12.1-12.3, 12.5, 382-384, 396, 398, 400, 6

(56) **References Cited**

U.S. PATENT DOCUMENTS

D24,203 S *	4/1895	Estes	D9/504
1,353,281 A *	9/1920	Sharp	132/294
2,076,549 A *	4/1937	Conner	215/6
2,211,326 A *	8/1940	Gillice	220/8
3,043,354 A *	7/1962	Fitzgerald	220/4.23
3,620,399 A *	11/1971	Rapeaud	215/12.1
3,847,494 A *	11/1974	Franklin	403/345
D271,180 S *	11/1983	Runyon	D9/529 X
D306,933 S *	4/1990	Holewinski	D9/529
D327,423 S *	6/1992	Turner-Adams	D9/335
5,148,941 A *	9/1992	Chezek	206/235 X
6,009,885 A *	1/2000	Nam	132/293
D424,750 S *	5/2000	Zalzal	D28/76
6,422,424 B1 *	7/2002	Sheffler	222/138

* cited by examiner

Primary Examiner—Ted Shooman
Assistant Examiner—Carol Rademaker

(74) *Attorney, Agent, or Firm*—Sturm & Fix LLP

(57) **CLAIM**

The ornamental design for a flask, as shown and described.

DESCRIPTION

A portion of the disclosure of this patent document, including appendices, may contain material which is subject to copyright protection. The copyright owner has no objection to the facsimile reproduction by anyone of the patent document or the patent disclosure, as it appears in the Patent and Trademark Office patent file or records, but otherwise reserves all copyright rights whatsoever.

FIG. 1 is a perspective view of the flask showing the new design;

FIG. 2 is a top plan view thereof;

FIG. 3 is a bottom plan view thereof;

FIG. 4 is a side elevational view thereof, all side elevational views being identical thereto; and,

FIG. 5 is an exploded perspective view showing the internal components of the flask.

This design consists in a flask, constituted by a cubic body, with edges manifestly rounded and divided in a transversal central plane. Every one of the two halves presents a cavity in its internal face, of concave conformation and that presents in its mouthpiece an encircling step slot. In the interior of every one of these cavities there is a bowl and present respectively in their contour a prominent edge disposed in the encircling slot of the corresponding cavity. The cited edge presents radial teeth in correspondence with the diagonals of square face. The inferior bowl presents its mouthpiece prolonged in a cylindrical part in which there are protruding means cooperating with incomings existents in the interior of the superior bowl, like a bayonet. Over this cylindrical part there is a transversal disk, with circular contour and that presents an internal encircling nerve. The cited superior bowl presents a salient step disposed immediately over the cited nerve of the disk.

1 Claim, 1 Drawing Sheet

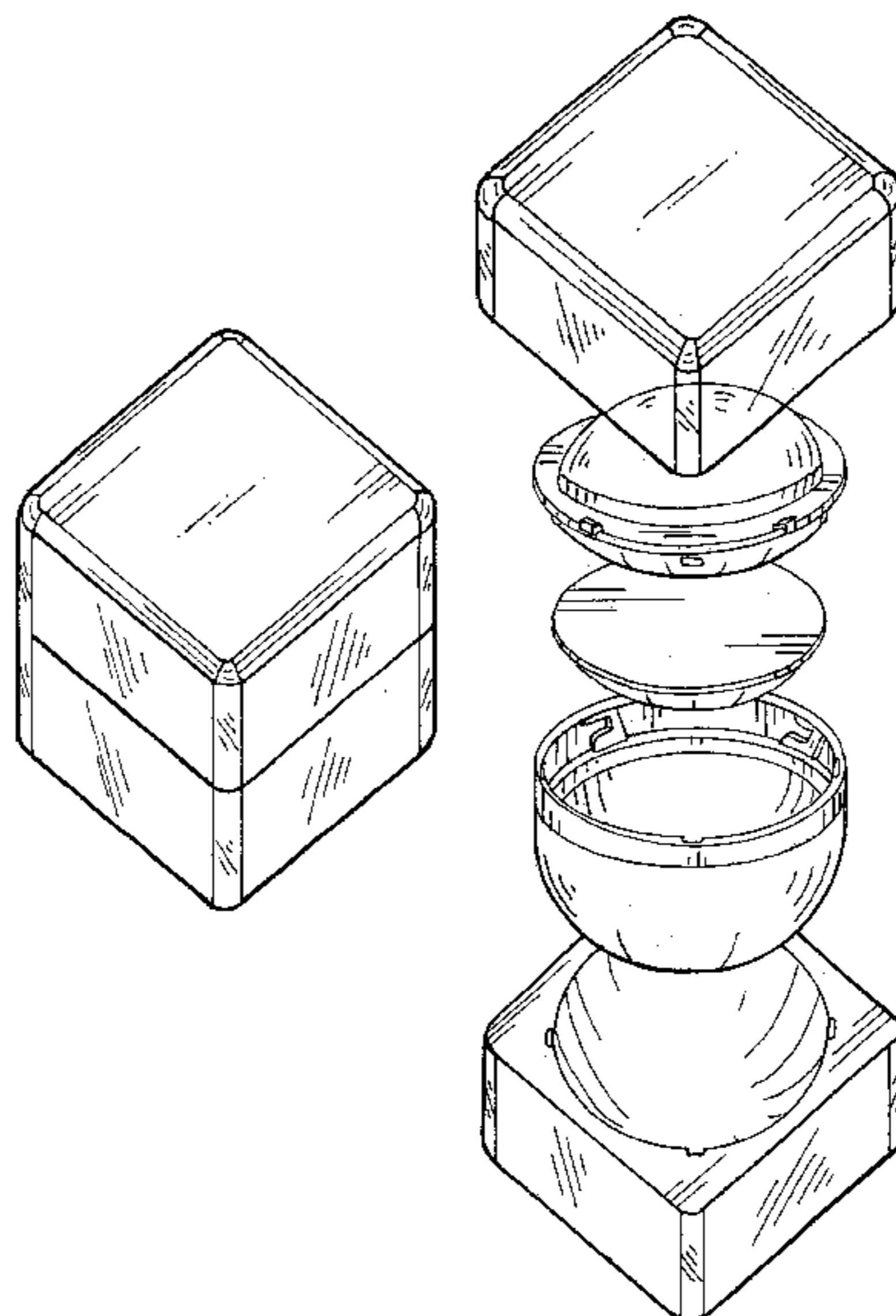


Fig. 1

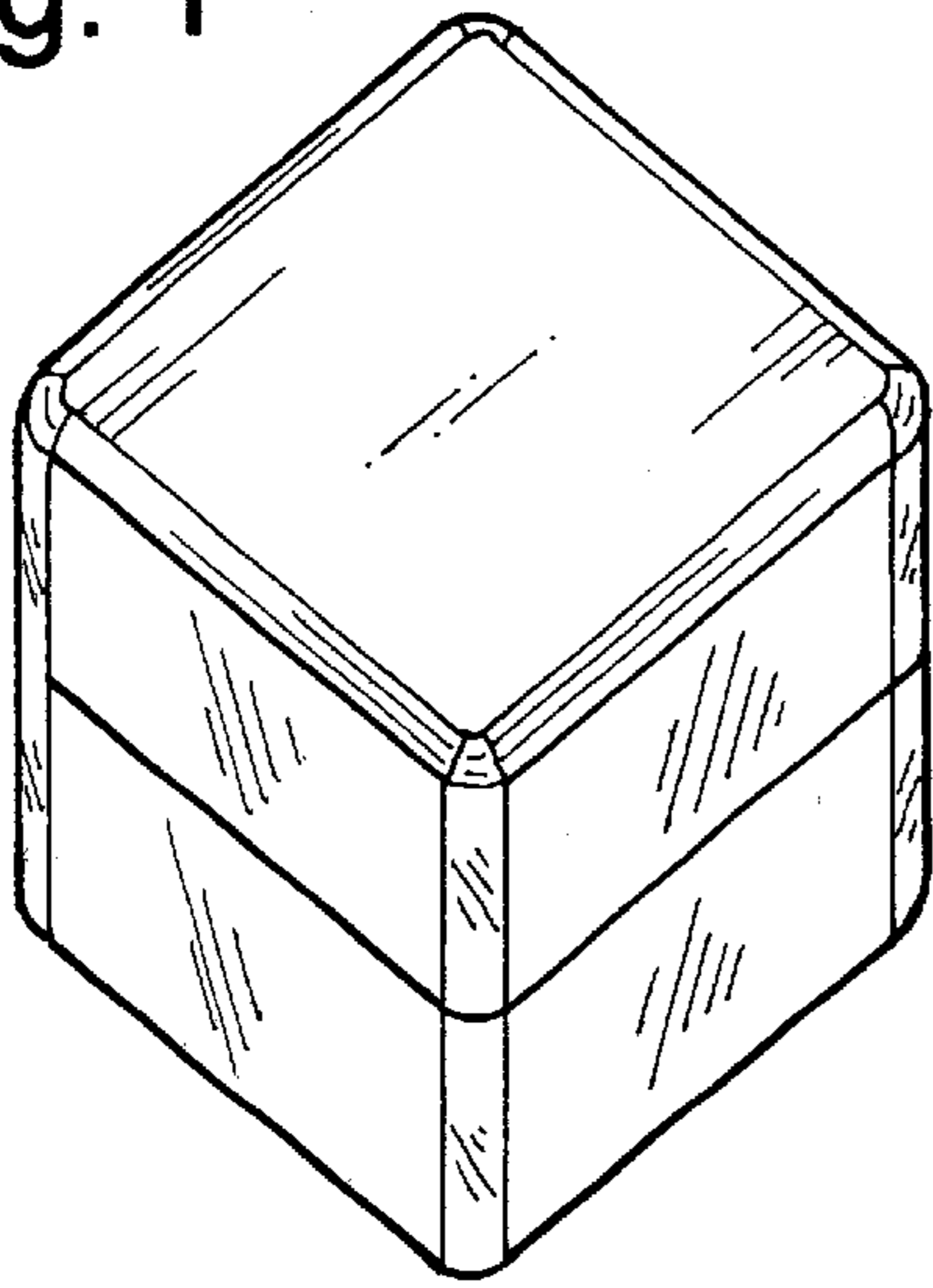


Fig. 4

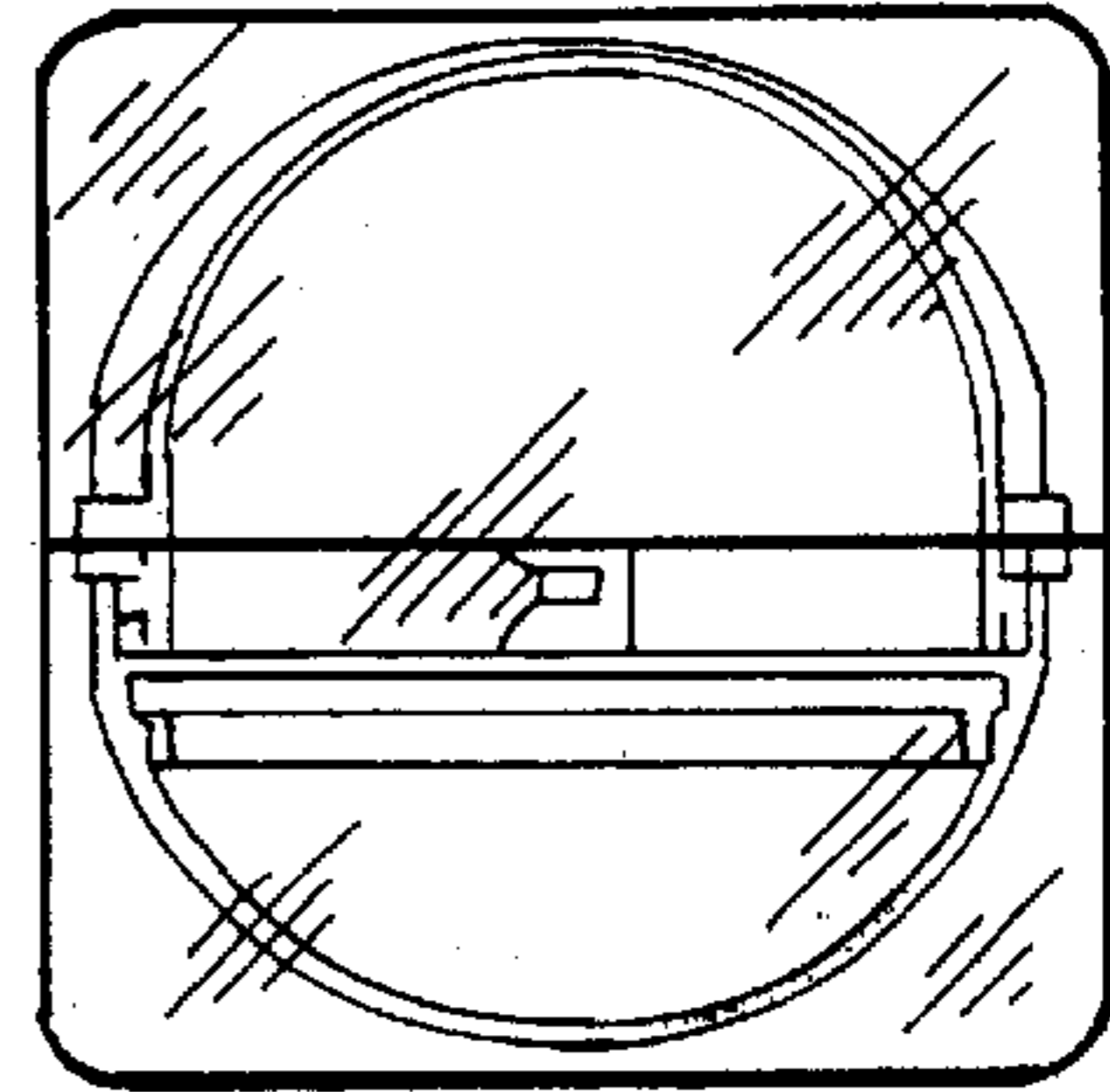


Fig. 2

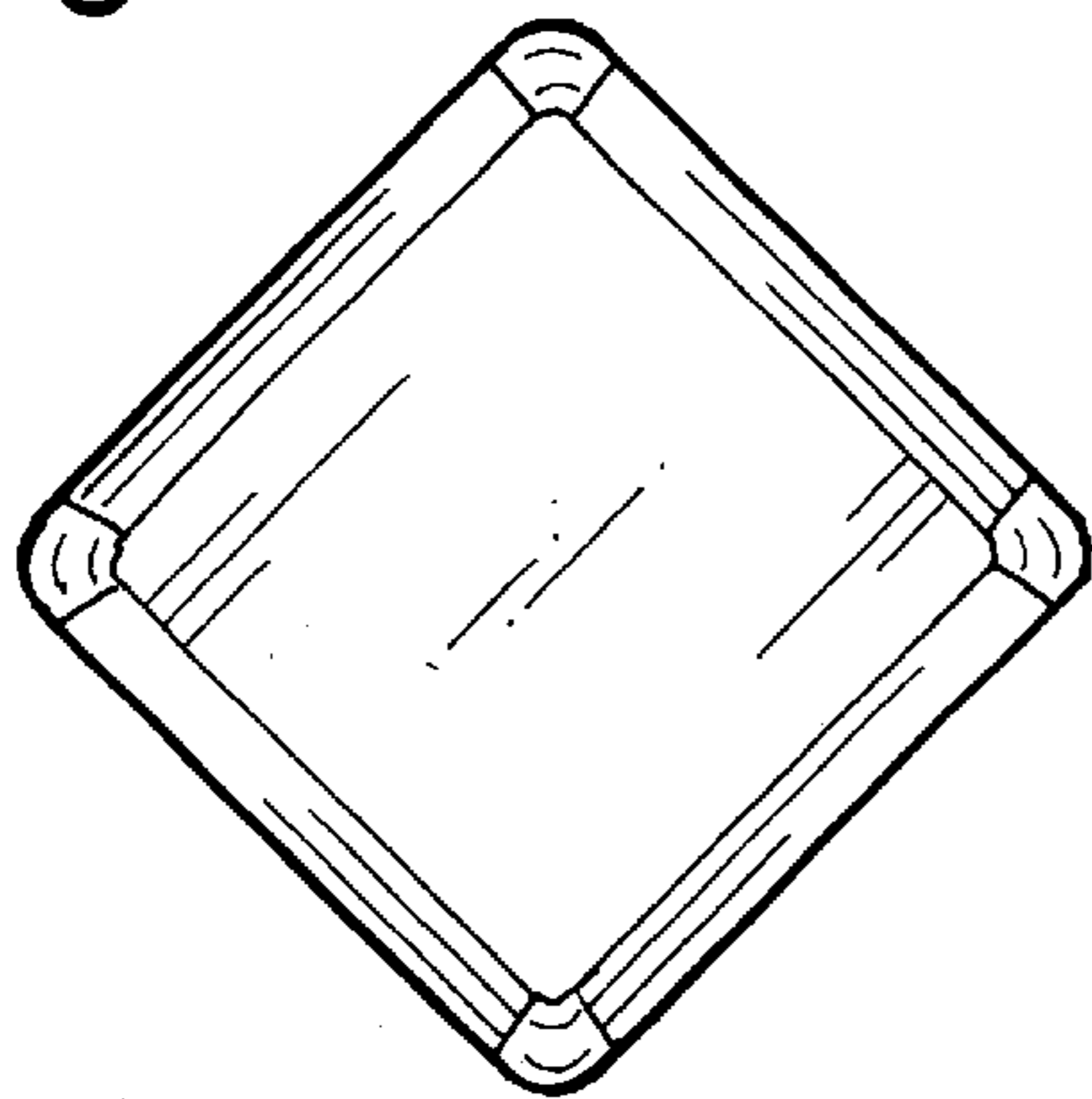


Fig. 3

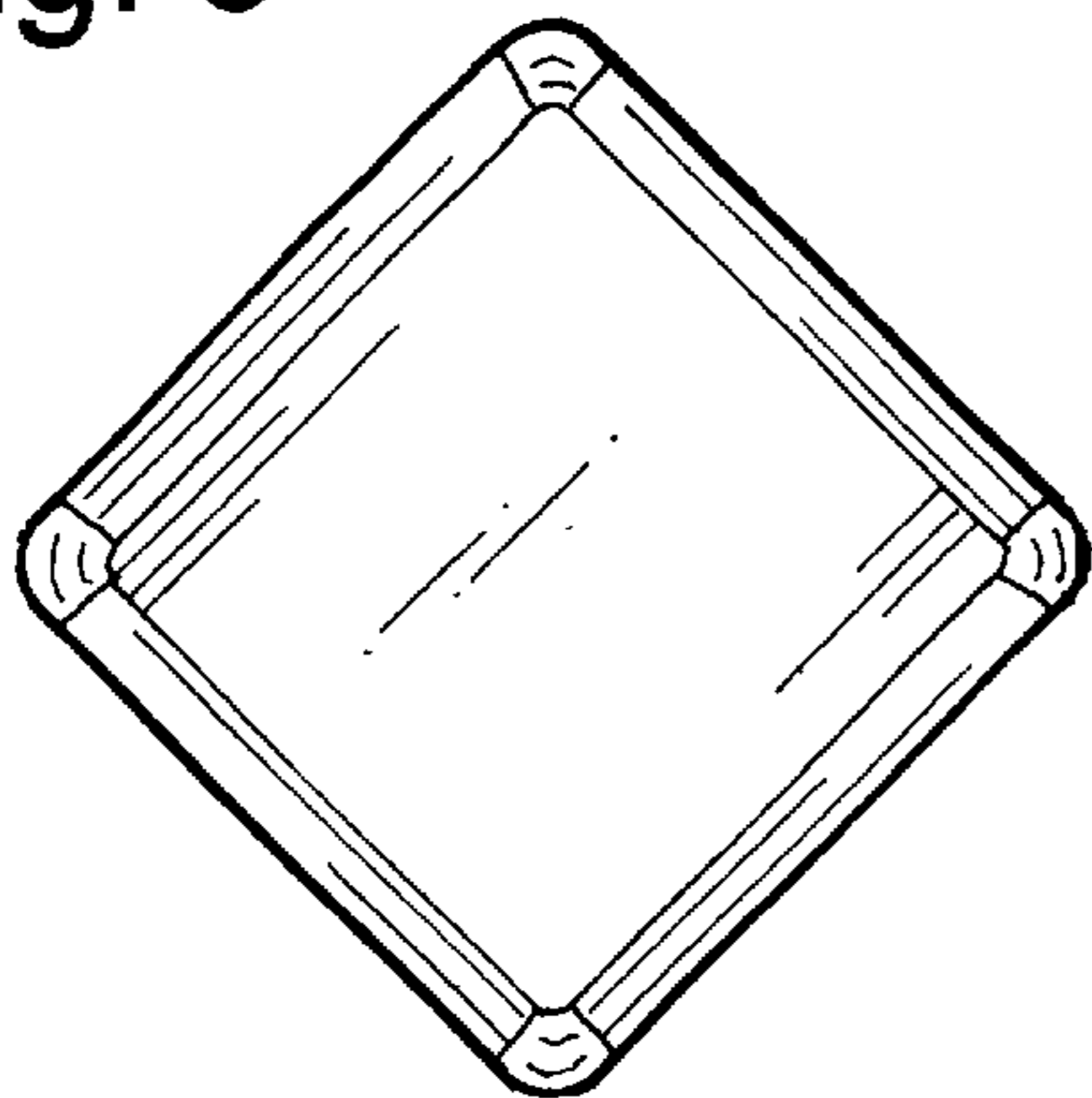


Fig. 5

