



US00D478511S

(12) **United States Design Patent**
Reynolds

(10) **Patent No.: US D478,511 S**

(45) **Date of Patent: ** Aug. 19, 2003**

(54) **SELF-COOLED BEVERAGE CONTAINER**

(76) **Inventor: Erin Reynolds, 95 Bradford Ave., E.
Haven, CT (US) 06572**

(**) **Term: 14 Years**

(21) **Appl. No.: 29/158,114**

(22) **Filed: Apr. 1, 2002**

(51) **LOC (7) Cl. 09-01**

(52) **U.S. Cl. D9/502; D7/510; D7/511;
D9/503; D9/520**

(58) **Field of Search D7/605, 510, 511;
D15/89, 90, 79; D24/197; D9/500, 502,
503, 516, 537-543, 520, 544, 545, 546,
549, 557, 558, 574, 575; 215/6, 10, 382-384,
396, 398, 400**

(56) **References Cited**

U.S. PATENT DOCUMENTS

59,687 A * 11/1866 Waldstein 215/6
849,211 A * 4/1907 Daly 215/6 X
RE14,688 E * 7/1919 Maiden 215/6
3,741,383 A * 6/1973 Wittwer 206/219
D337,274 S * 7/1993 Thatcher D9/539

5,244,122 A * 9/1993 Botts 604/77
D396,640 S * 8/1998 Conrad et al. D9/502
D397,941 S * 9/1998 Lauth D9/502
5,881,868 A * 3/1999 Soyak et al. 206/213.1
D412,087 S * 7/1999 Spencer D7/510
D436,852 S * 1/2001 Chan D9/341
D469,360 S * 1/2003 Moore et al. D9/556

* cited by examiner

Primary Examiner—Ted Shooman
Assistant Examiner—Carol Rademaker

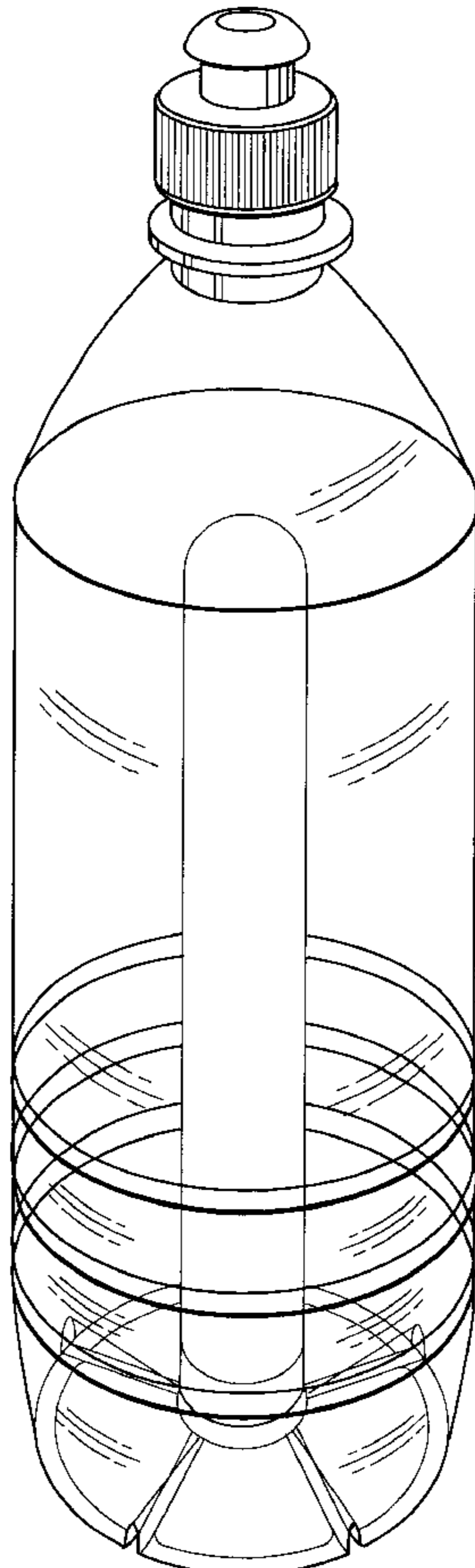
(57) **CLAIM**

The ornamental design for a self-cooled beverage container, as shown and described.

DESCRIPTION

FIG. 1 is a top perspective view of the ornamental self-cooled beverage container according to the invention; FIG. 2 is a side view of the self-cooled beverage container of FIG. 1; FIG. 3 is a top plan view of the self-cooled beverage container of FIG. 1; and, FIG. 4 is a bottom plan view of the self-cooled beverage container of FIG. 1.

1 Claim, 2 Drawing Sheets



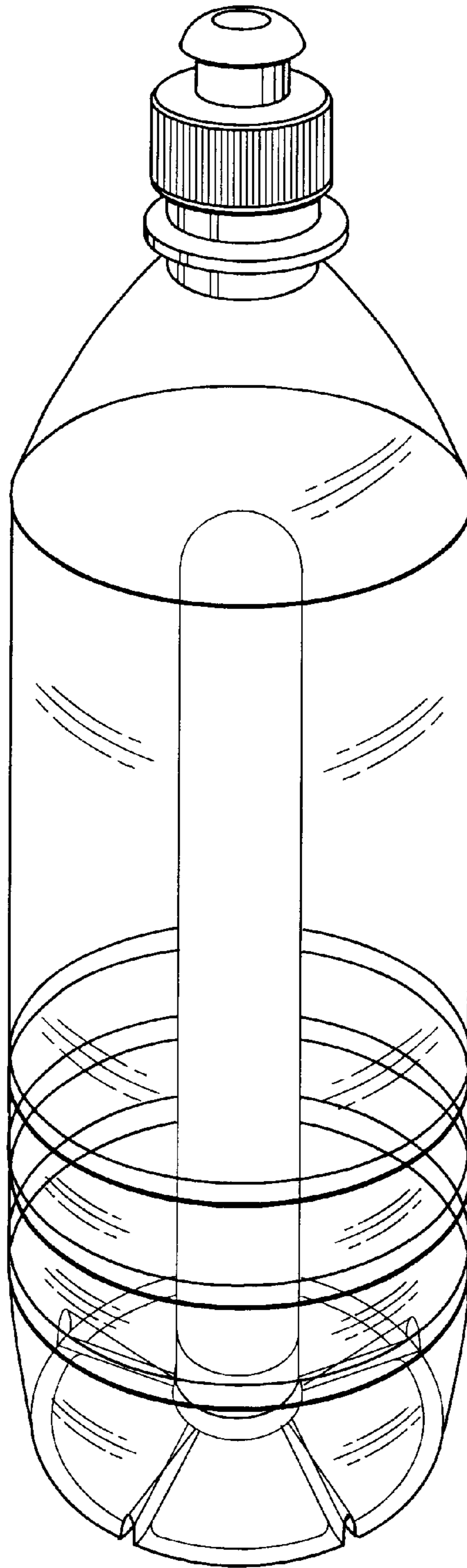


FIG. 1

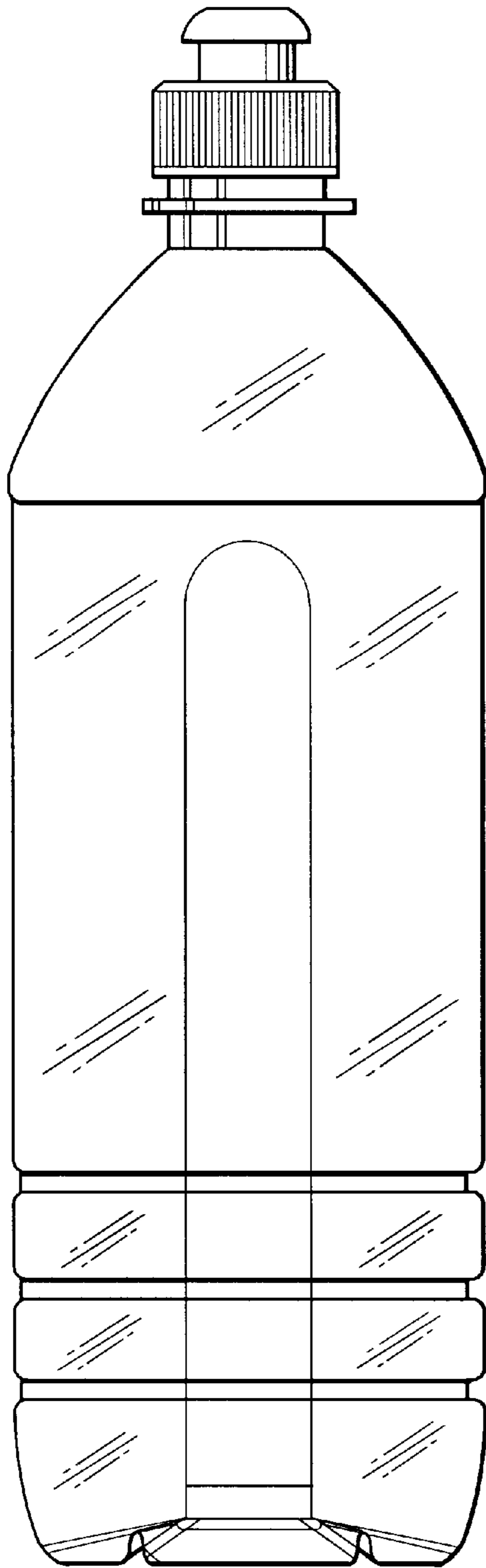


FIG. 2

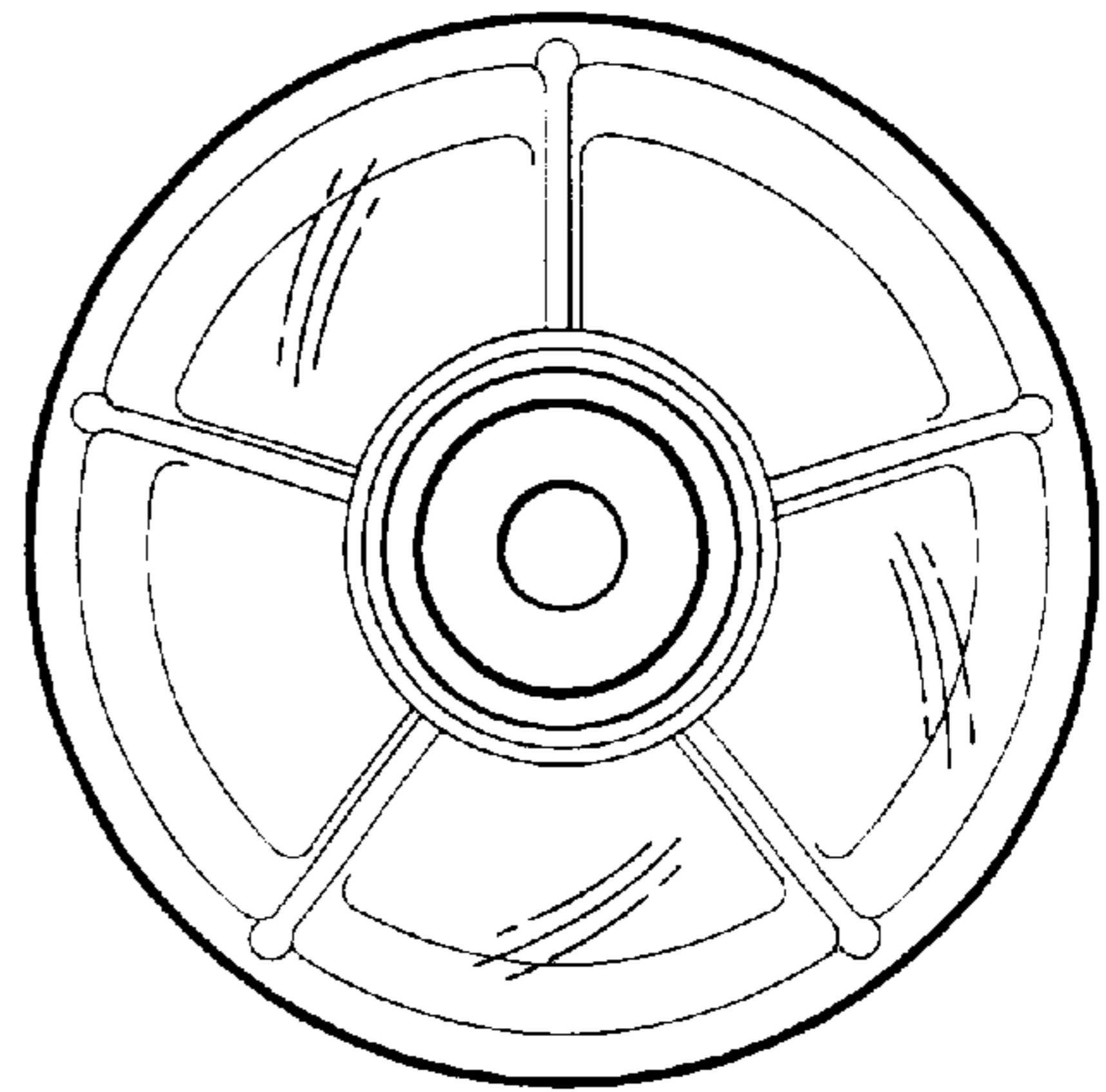


FIG. 3

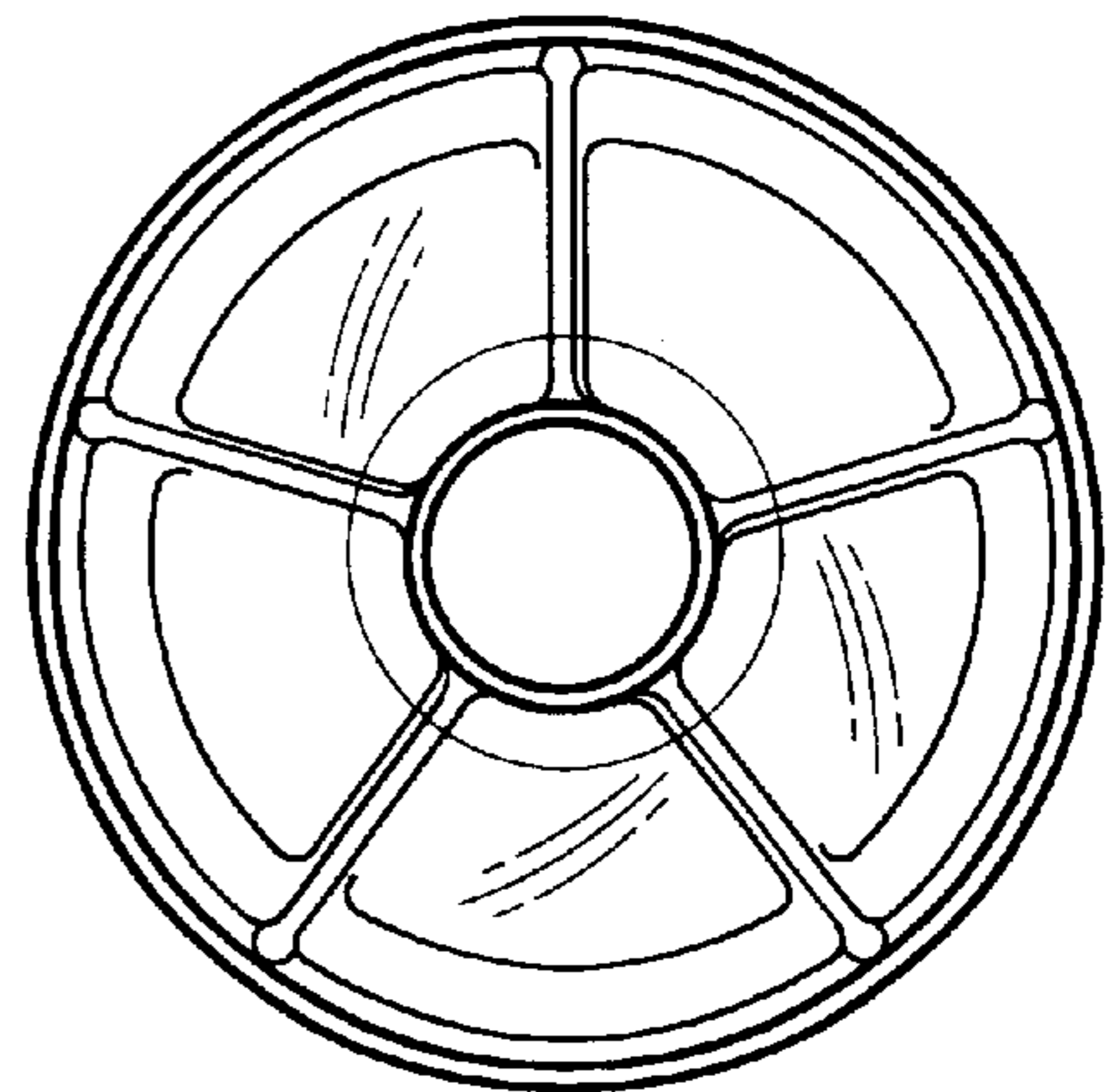


FIG. 4