



US00D478502S

(12) **United States Design Patent**
Zamberg et al.

(10) **Patent No.:** **US D478,502 S**

(45) **Date of Patent:** **** Aug. 19, 2003**

(54) **EDGE PROTECTOR**

3,922,408 A 11/1975 Smith
6,354,049 B1 3/2002 Bennett

(75) Inventors: **Paul Zamberg**, Newport Coast, CA (US); **Mario Ernesto Montano**, West Covina, CA (US)

Primary Examiner—Brian N. Vinson
(74) *Attorney, Agent, or Firm*—Knobbe, Martens, Olson & Bear, LLP

(73) Assignee: **El-Com Hardware, Inc.**, Garden Grove, CA (US)

(57) **CLAIM**

(**) Term: **14 Years**

The ornamental design for an edge protector, as shown and described.

(21) Appl. No.: **29/169,342**

DESCRIPTION

(22) Filed: **Oct. 17, 2002**

Related U.S. Application Data

(62) Division of application No. 29/139,942, filed on Apr. 9, 2001.

FIG. 1 is a perspective view of the interior of an edge protector showing our new design;

(51) **LOC (7) Cl.** **08-01**

FIG. 2 is a perspective view of the exterior thereof;

(52) **U.S. Cl.** **D8/403**

FIG. 3 is an elevational view of one side thereof;

(58) **Field of Search** D8/403; 248/345.1; 52/287.1; 312/137; D25/119, 164

FIG. 4 is an elevational view of the side adjacent;

FIG. 5 is an elevational view of the side opposite that of FIG. 3; and,

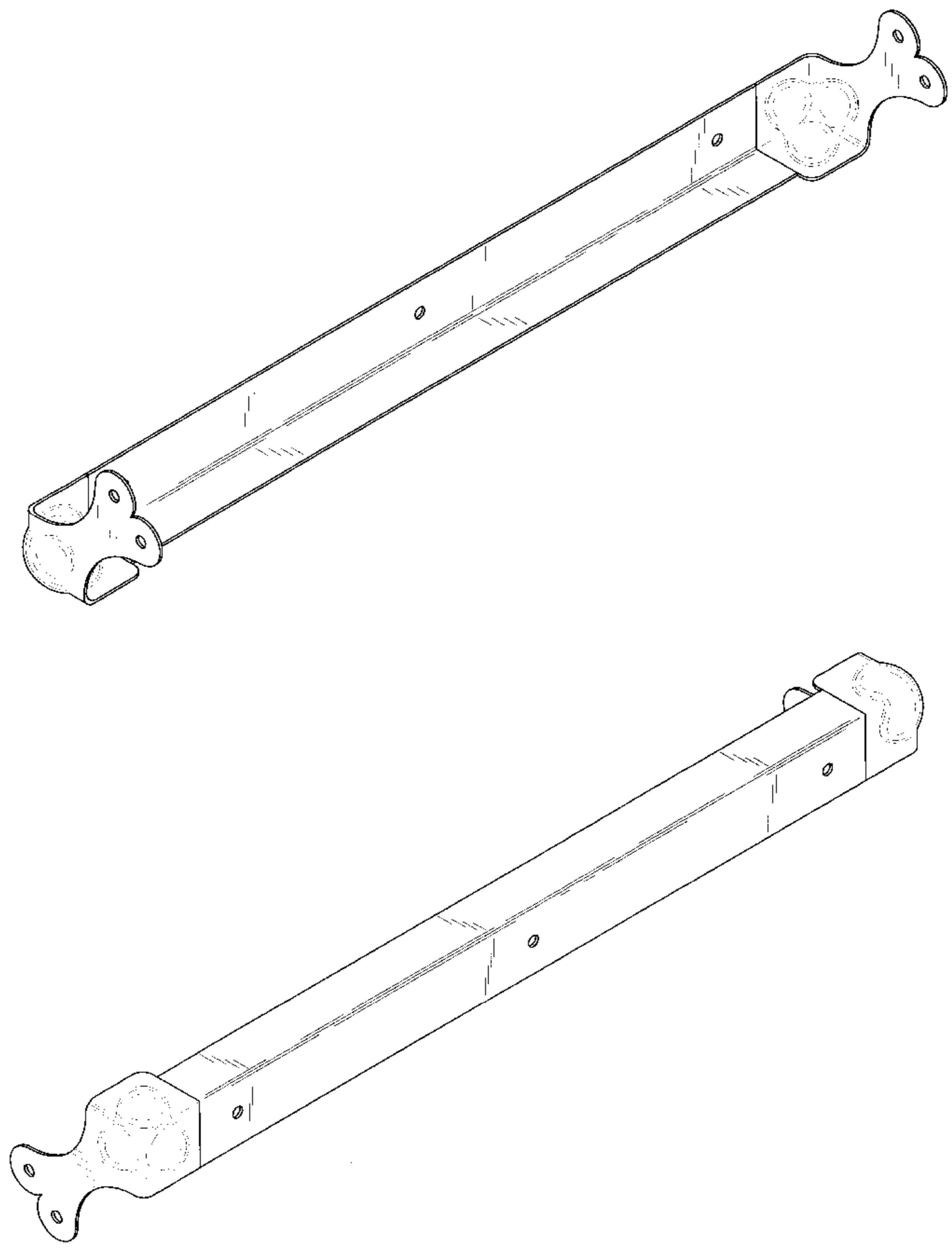
FIG. 6 is an elevational view of the side opposite that of FIG. 4.

(56) **References Cited**

U.S. PATENT DOCUMENTS

D117,893 S 12/1939 Bonnell

1 Claim, 3 Drawing Sheets



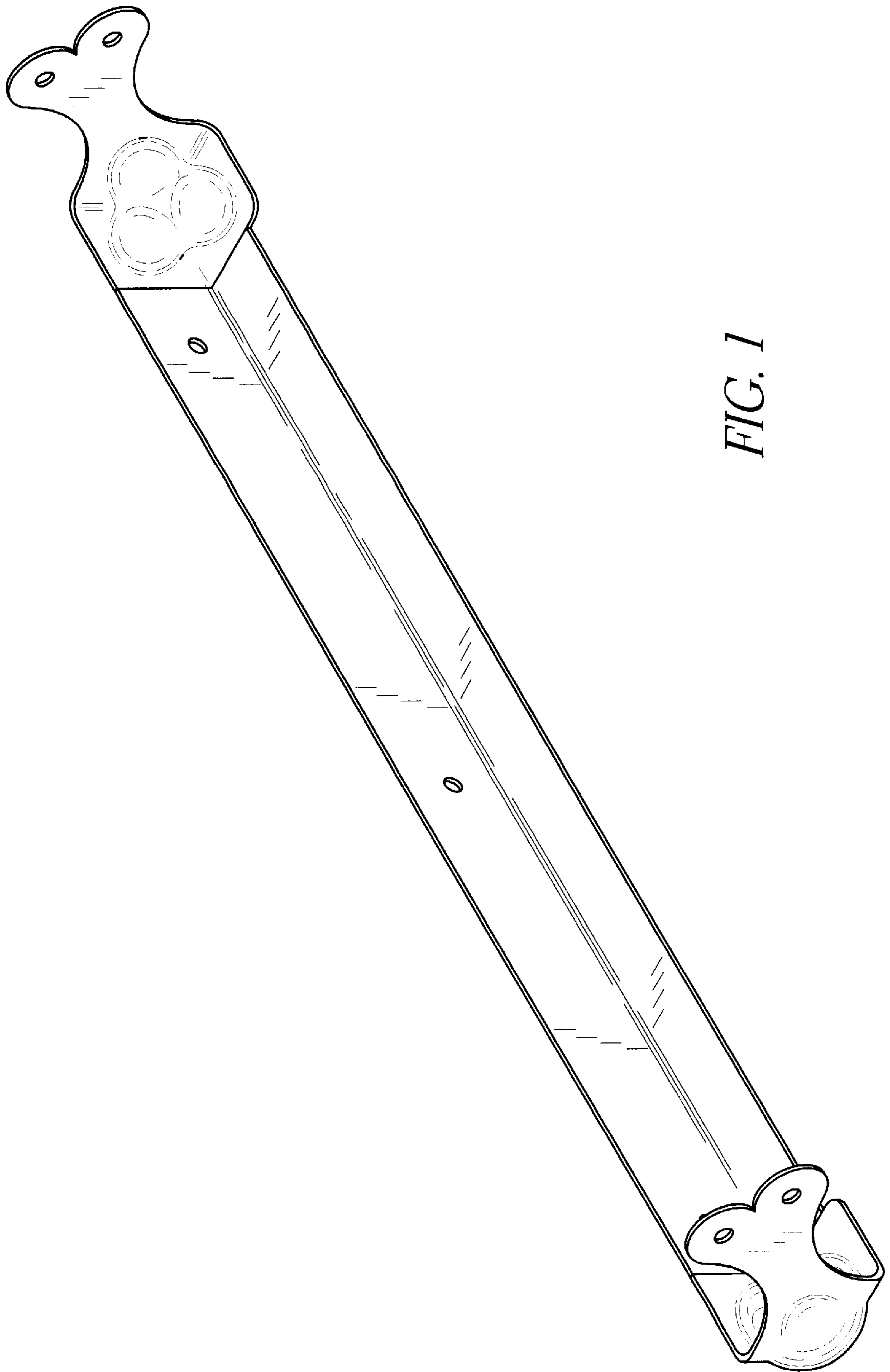


FIG. 1

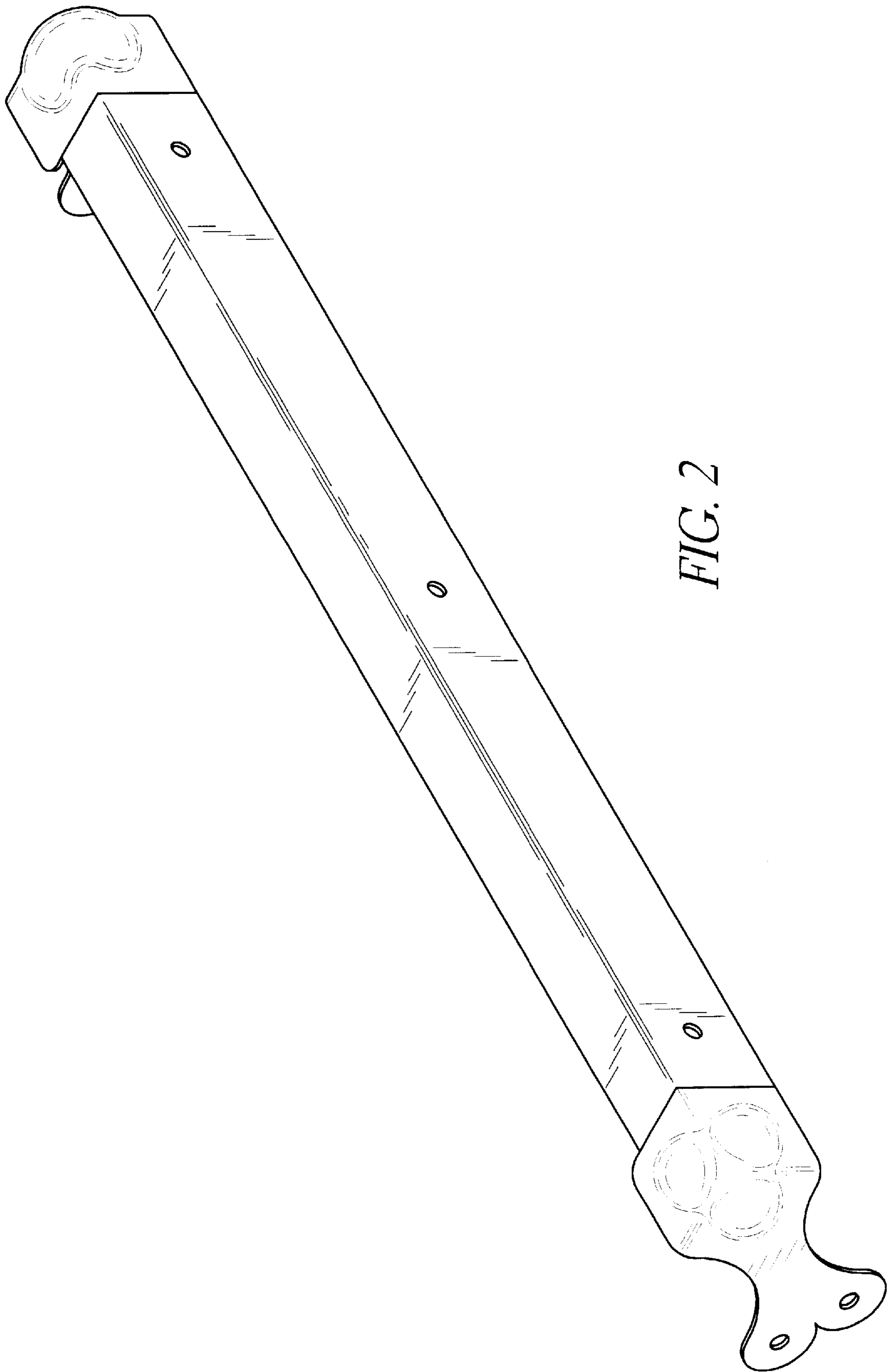


FIG. 2

