



US00D478501S

(12) **United States Design Patent**
Yoko

(10) **Patent No.: US D478,501 S**

(45) **Date of Patent: ** *Aug. 19, 2003**

(54) **SPRING CLIP**

(75) **Inventor: Tim Yoko, South Bend, IN (US)**

(73) **Assignee: Robert Bosch Corporation,
Broadview, IL (US)**

(*) **Notice:** This patent is subject to a terminal disclaimer.

(**) **Term: 14 Years**

(21) **Appl. No.: 29/150,516**

(22) **Filed: Nov. 16, 2001**

(51) **LOC (7) Cl. 08-08**

(52) **U.S. Cl. D8/395**

(58) **Field of Search** 192/30 W, 115;
188/1.11 R, 72.3, 73.31, 72.36-72.38, 205 A;
D8/394-396, 399, 382, 383; 248/300, 228.7,
216.1, 231.81, 60, 74.2; 24/455, 563

(56) **References Cited**

U.S. PATENT DOCUMENTS

1,429,686	A	*	9/1922	O'Brien	248/60
1,675,602	A	*	7/1928	Faust	248/61
D212,207	S	*	9/1968	Zinni	D8/395

4,245,723	A	*	1/1981	Moriya	188/72.3
4,429,769	A	*	2/1984	Oshima et al.	188/73.31
D286,976	S	*	12/1986	Steck et al.	D8/394
5,687,817	A	*	11/1997	Kobayashi et al.	188/72.3
5,699,882	A	*	12/1997	Ikegami et al.	188/73.38
5,901,815	A	*	5/1999	Kobayashi et al.	188/205 A
5,941,348	A	*	8/1999	Matsumoto et al.	188/73.36
6,330,991	B1	*	12/2001	Boe	248/200
6,378,666	B1	*	4/2002	Yoko	188/73.38

* cited by examiner

Primary Examiner—Louis S. Zarfaz

Assistant Examiner—Deanne Levy

(74) *Attorney, Agent, or Firm*—Leo H McCormick, Jr.;
Warren Comstock

(57) **CLAIM**

The ornamental design for a spring clip, as shown and described.

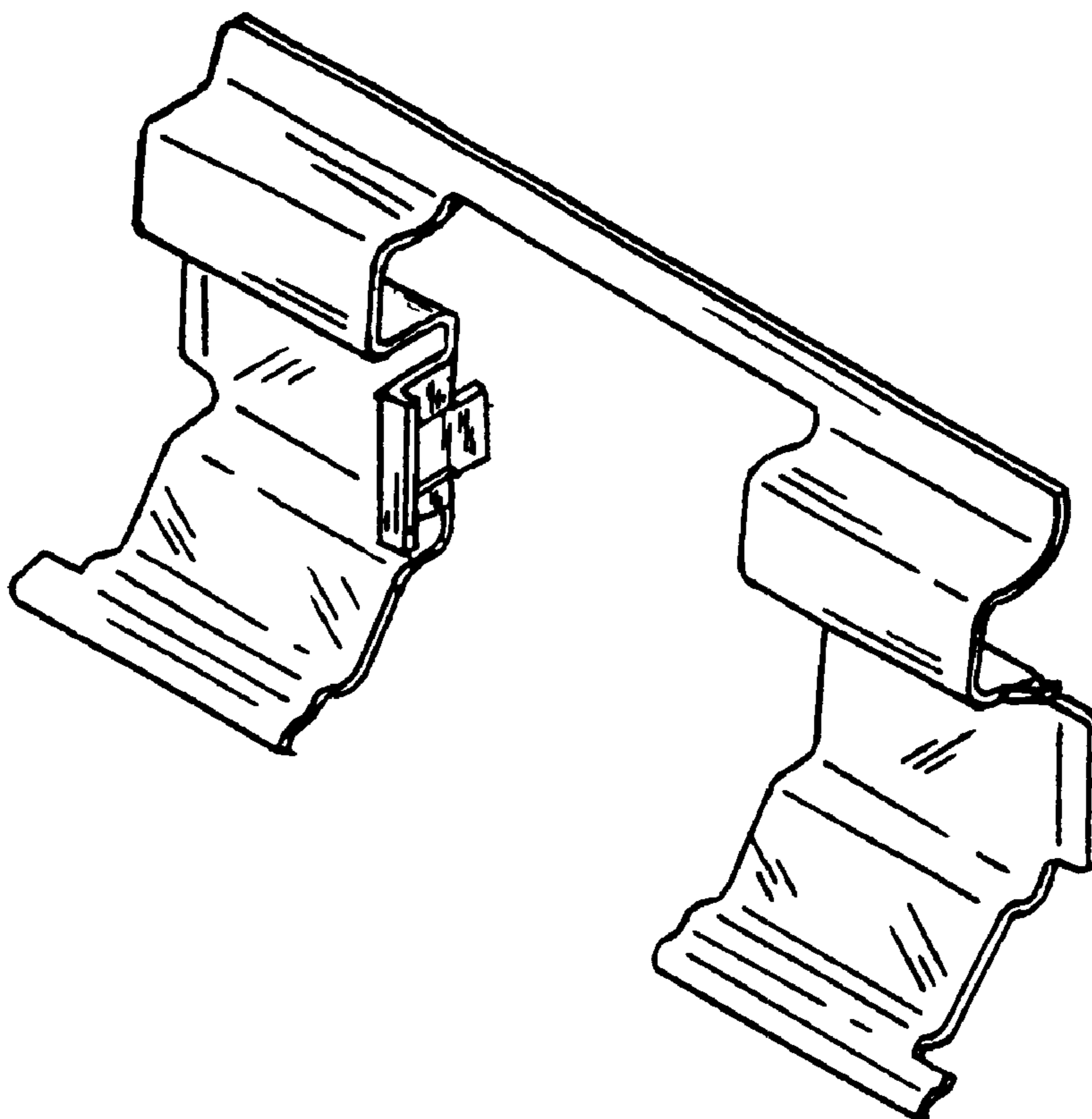
DESCRIPTION

FIG. 1 is a front perspective view of a spring clip showing my new design;

FIG. 2 is a front elevational view thereof; and,

FIG. 3 is a side elevational view thereof.

1 Claim, 1 Drawing Sheet



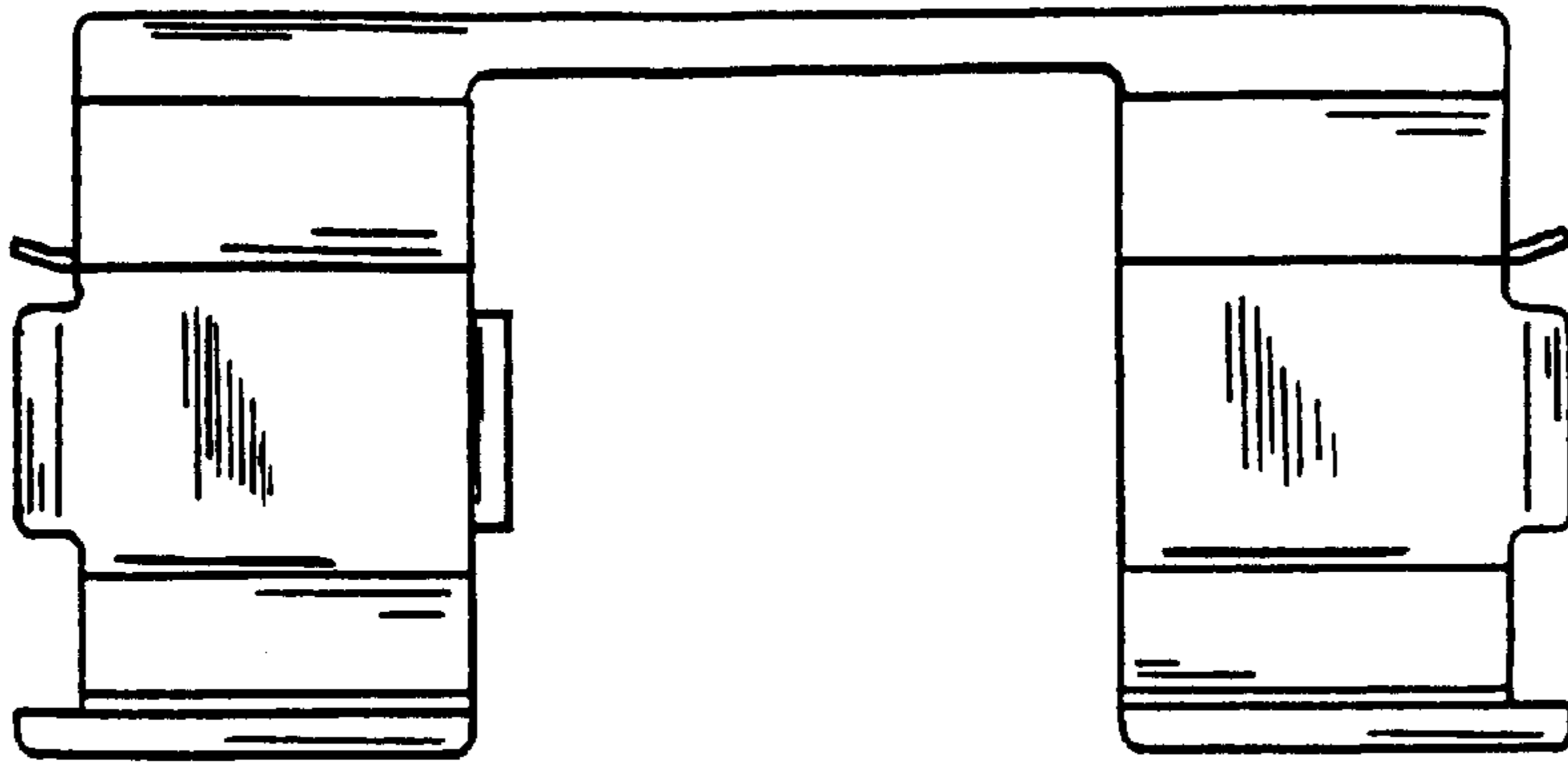


FIG. 2

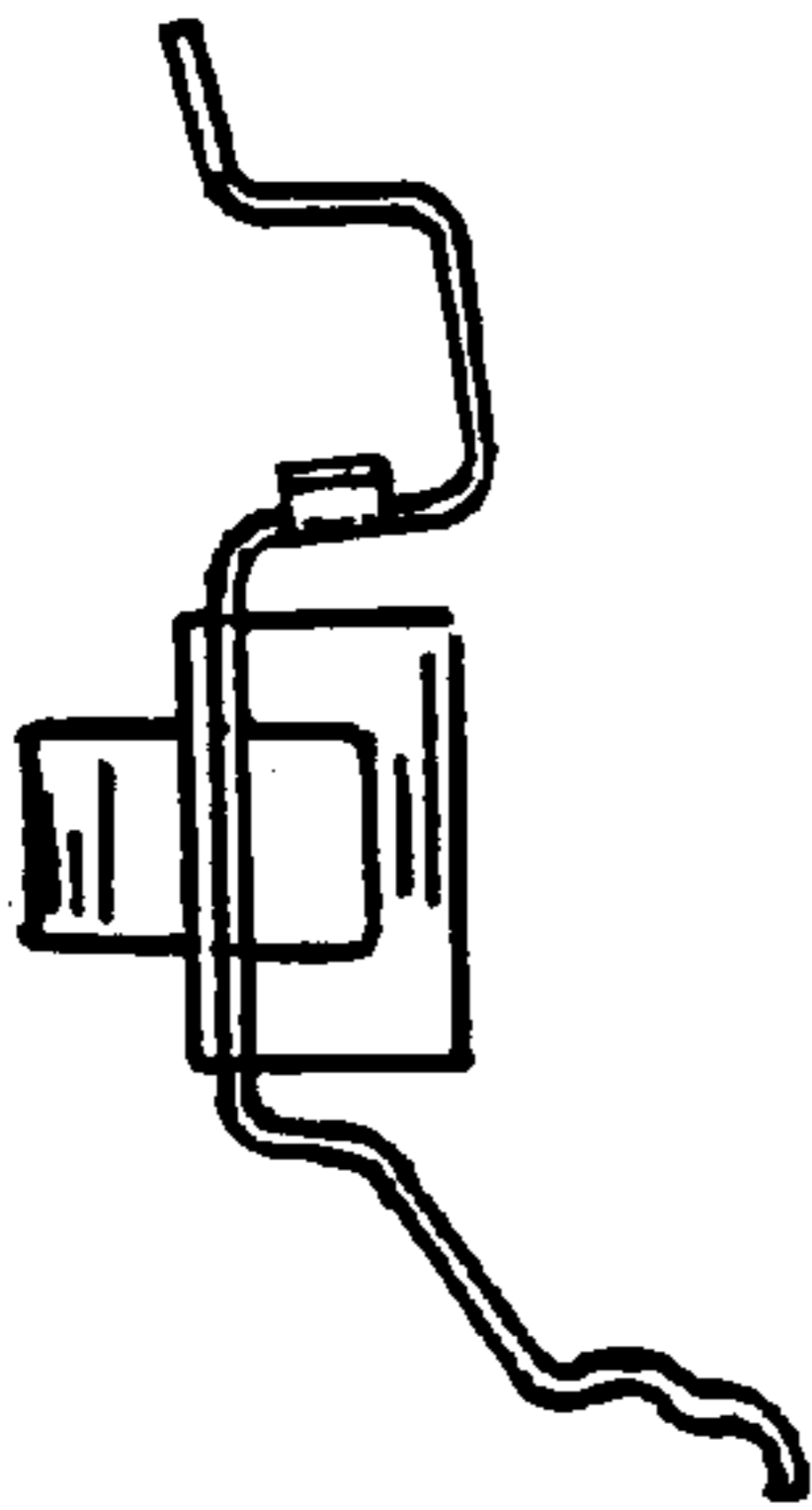


FIG. 3

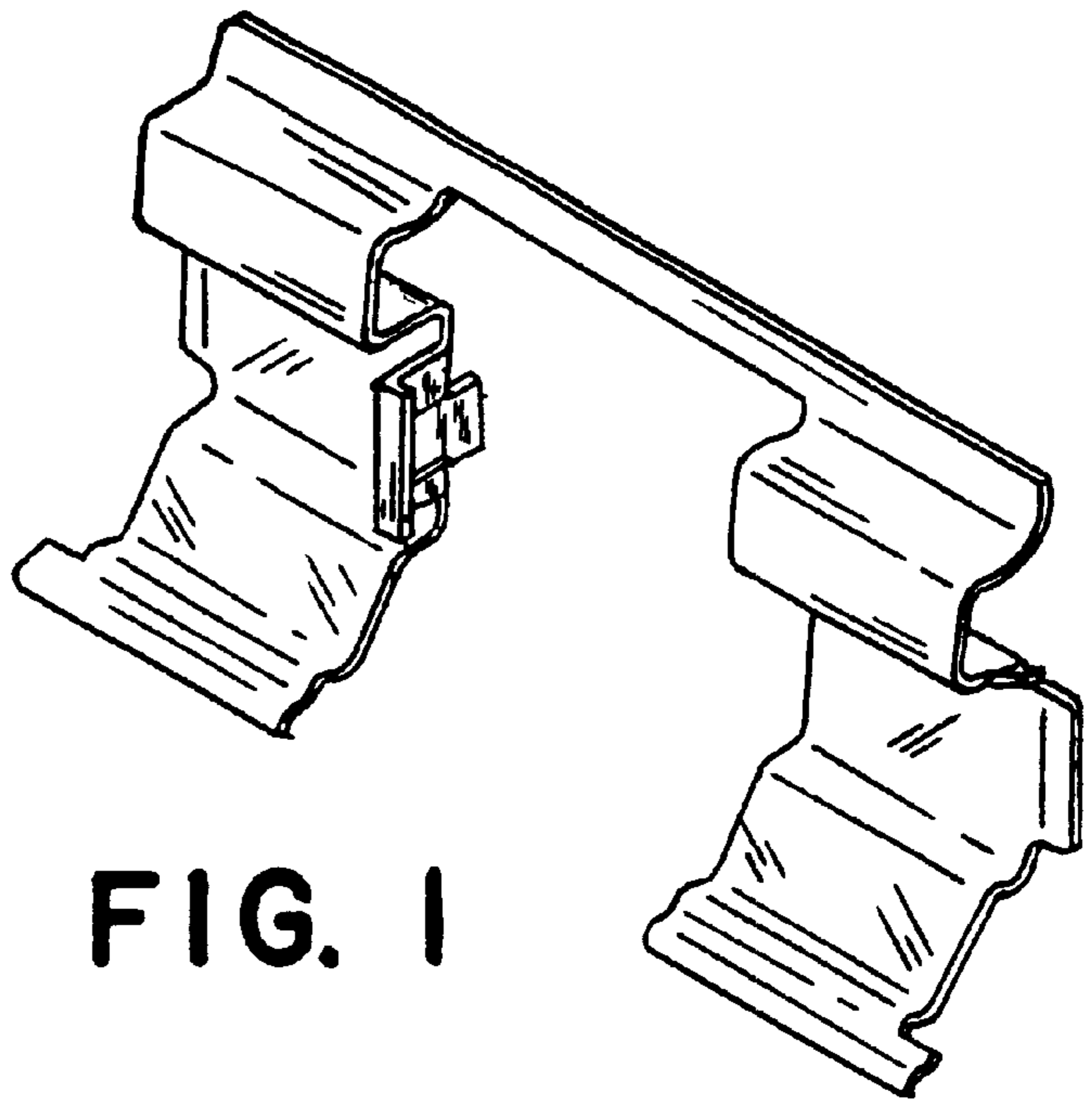


FIG. 1