



US00D478498S

(12) **United States Design Patent**
Ito et al.

(10) **Patent No.:** **US D478,498 S**

(45) **Date of Patent:** **** Aug. 19, 2003**

- (54) **REEL**
- (75) Inventors: **Bill Ito**, Cobourg (CA); **Mark Ito**, Cobourg (CA)
- (73) Assignee: **Spolon Manufacturing Limited**, Cobourg (CA)
- (**) Term: **14 Years**
- (21) Appl. No.: **29/154,919**
- (22) Filed: **Feb. 4, 2002**
- (30) **Foreign Application Priority Data**
Aug. 3, 2001 (CA) 2001-1945
- (51) **LOC (7) Cl.** **08-05**
- (52) **U.S. Cl.** **D8/358**
- (58) **Field of Search** D3/24; D8/356, D8/358, 359, 360.1; 242/118.4, 118.62, 118.7, 129.5, 403.1, 405.3, 608, 608.4, 608.5, 609.2, 610.6, 614, 614.1, 118.6, 118.8; 439/4, 501

4,066,224 A	*	1/1978	Hargreaves et al.	242/118.7
4,580,743 A	*	4/1986	Bauer et al.	242/118.6
5,004,179 A	*	4/1991	Salloum	242/118.7
5,242,129 A	*	9/1993	Bailey et al.	242/608.2
5,547,147 A	*	8/1996	Georges	242/607.1
5,605,305 A	*	2/1997	Picton	242/608
D408,720 S	*	4/1999	Sheng	D8/359
5,971,317 A	*	10/1999	Jaros	242/614
D436,520 S	*	1/2001	Bulman	D8/358
6,398,154 B1	*	6/2002	Cox et al.	242/608.4

* cited by examiner

Primary Examiner—Doris V. Coles
Assistant Examiner—Elizabeth A. Albert
(74) *Attorney, Agent, or Firm*—Arne I. Fors

(57) **CLAIM**

We claim the ornamental design for a “reel”, as shown and described.

DESCRIPTION

FIG. 1 is a perspective view of a reel showing our new design;
FIG. 2 is a side plan view thereof, the opposite side being a mirror image; and,
FIG. 3 is an end elevational view thereof, the opposite end being a mirror image.

- (56) **References Cited**
U.S. PATENT DOCUMENTS
3,599,893 A * 8/1971 Landolf 242/118.7
3,743,208 A * 7/1973 Schmitz 242/118.6

1 Claim, 2 Drawing Sheets

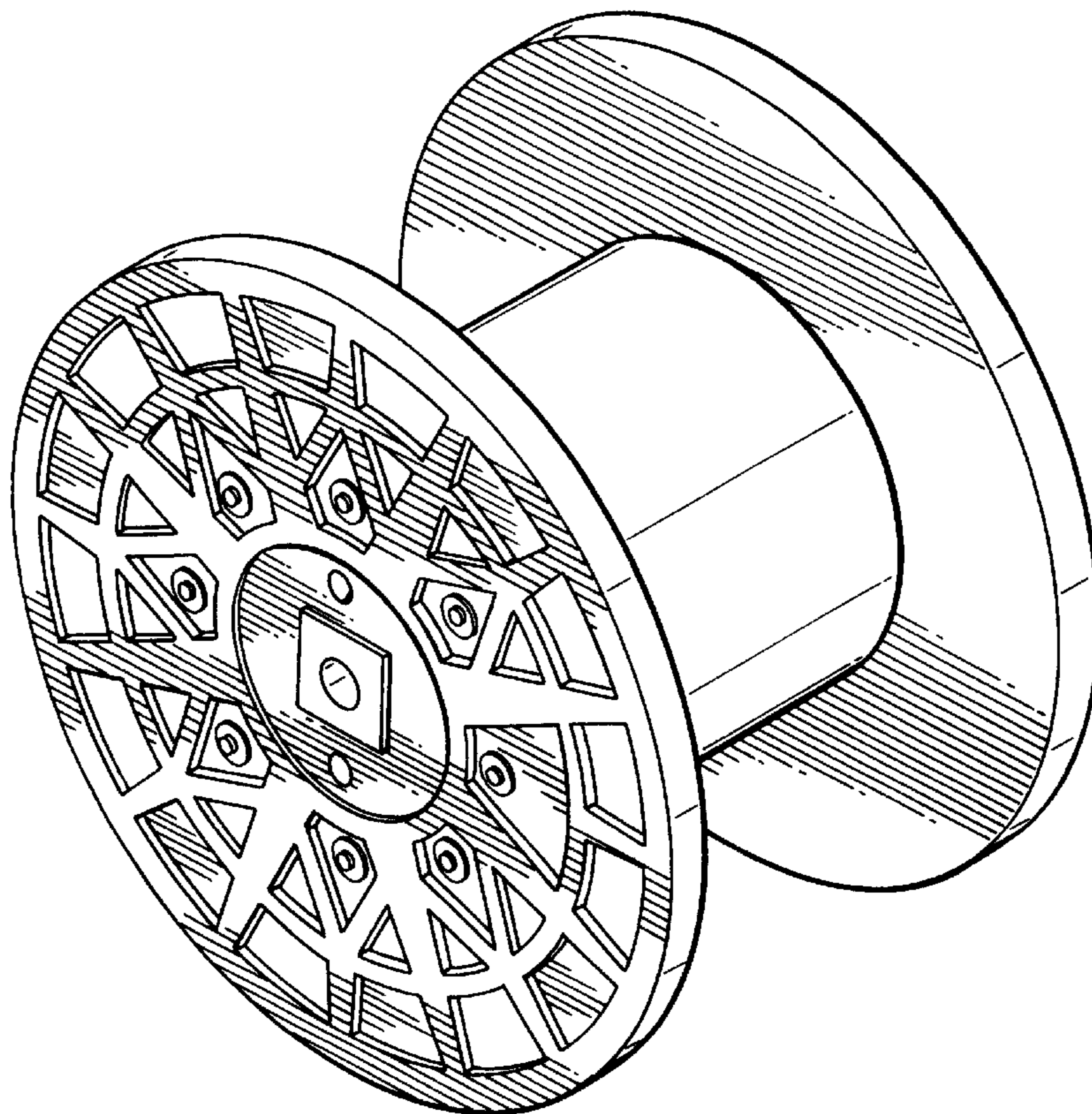
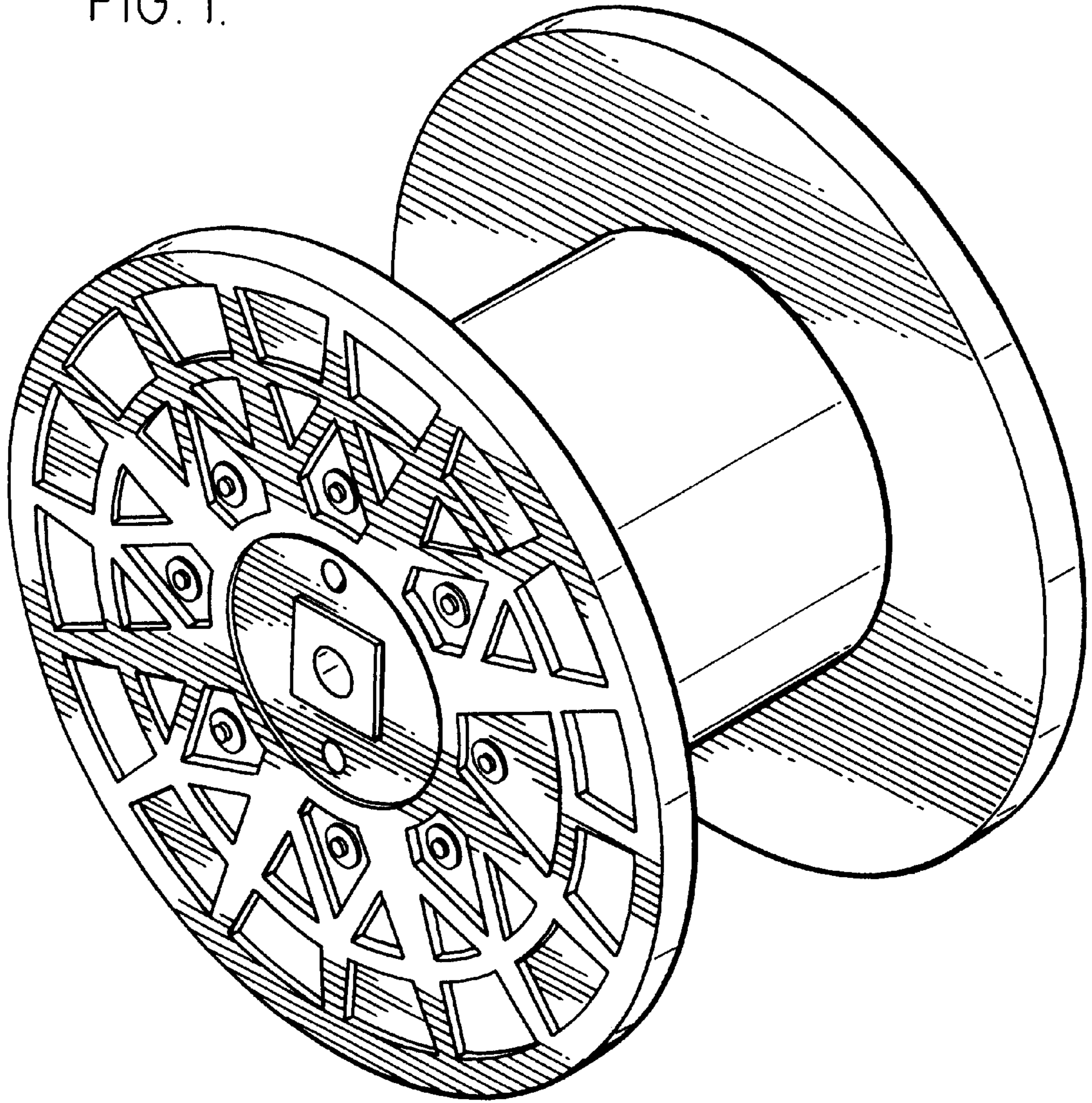


FIG. 1.



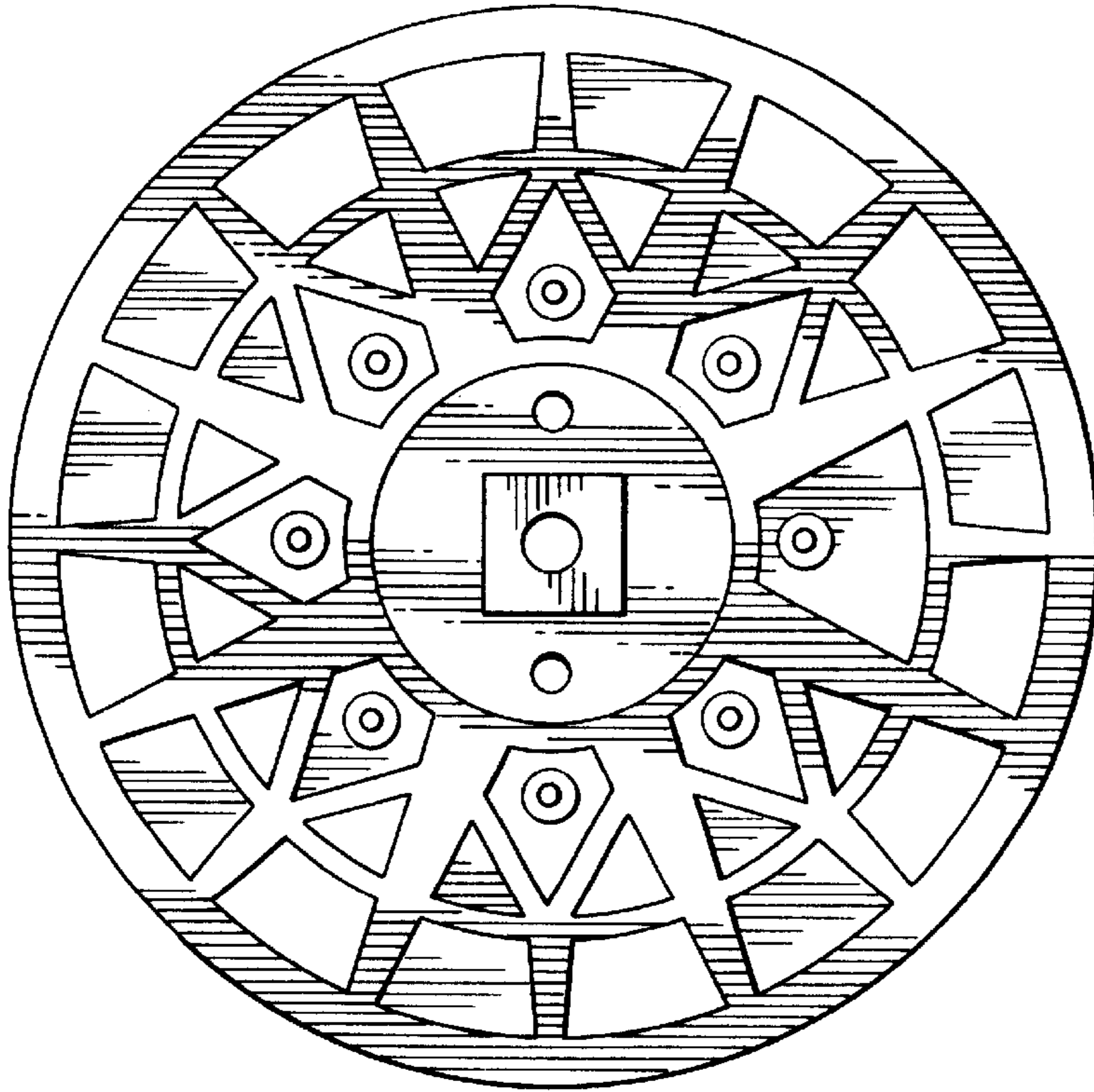


FIG. 2.

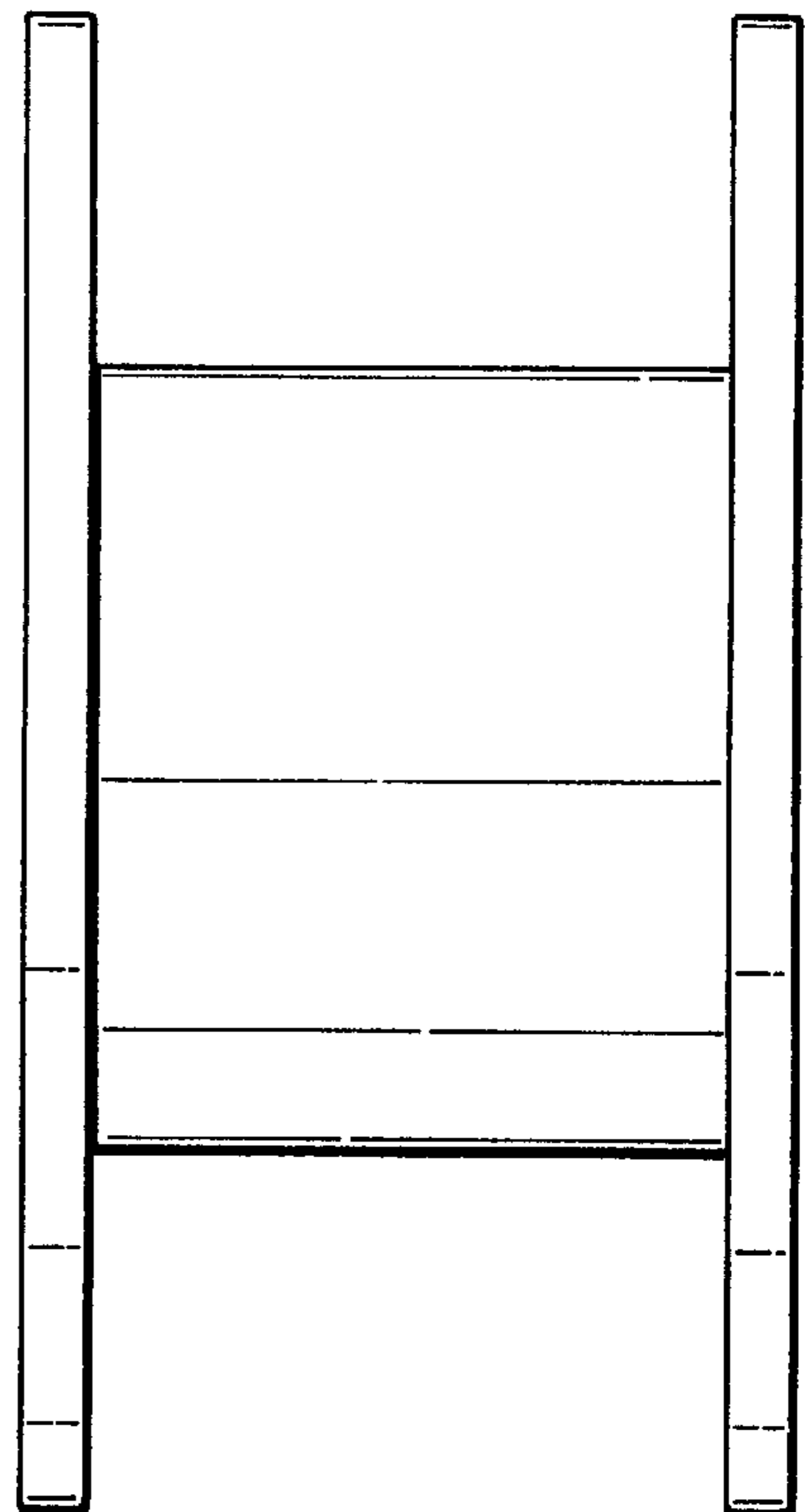


FIG. 3.