



US00D478496S

(12) **United States Design Patent**
Gratiot

(10) **Patent No.:** **US D478,496 S**

(45) **Date of Patent:** **** Aug. 19, 2003**

(54) **FASTENING DEVICE FOR WATCH DISPLAY**

(75) **Inventor:** **Daniel Gratiot, Bern (CH)**

(73) **Assignee:** **Swatch AG (Swatch SA) (Swatch Ltd), Bienne (CH)**

(**) **Term:** **14 Years**

(21) **Appl. No.:** **29/163,664**

(22) **Filed:** **Jul. 10, 2002**

(30) **Foreign Application Priority Data**

Mar. 1, 2002 (WO) DM/059 132

(51) **LOC (7) Cl.** **08-08**

(52) **U.S. Cl.** **D8/349**

(58) **Field of Search** D8/330, 336, 346,
D8/349, 354, 355, 356, 373, 380, 382,
394, 395; D10/106, 121, 128; D20/42;
24/303, 305, 459, 704.1, 704.2; 70/57.1,
58, 62; 206/1.5, 6.1, 18, 301, 751, 807;
248/200, 114, 115, 116

(56) **References Cited**

U.S. PATENT DOCUMENTS

4,328,687 A * 5/1982 Ritchie 70/58

D407,627 S * 4/1999 Fischer D8/349
5,937,487 A * 8/1999 Bauer 24/303
5,940,942 A * 8/1999 Fong 24/459
6,374,647 B1 * 4/2002 Holmgren 70/57.1

* cited by examiner

Primary Examiner—Robert M. Spear

Assistant Examiner—Elizabeth A. Albert

(74) *Attorney, Agent, or Firm*—Collen IP; Donald J. Ranft

(57) **CLAIM**

The ornamental design for a fastening device for watch display, as shown and described.

DESCRIPTION

FIG. 1 is a top view of my new and ornamental design for a fastening device for watch display;

FIG. 2 is a bottom view thereof;

FIG. 3 is a front view;

FIG. 4 is a rear view;

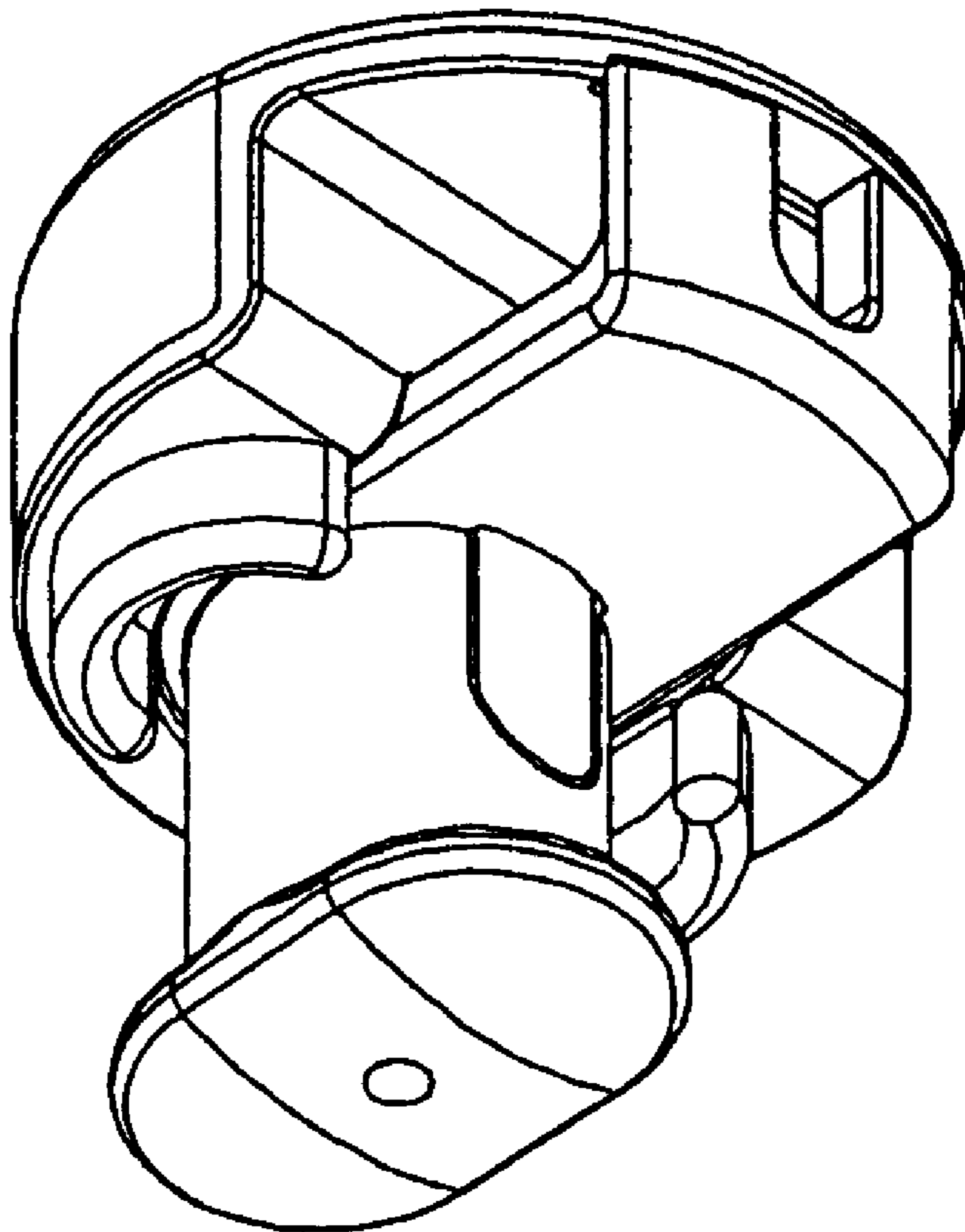
FIG. 5 is a right side view;

FIG. 6 is a left side view thereof;

FIG. 7 is a top perspective view thereof; and,

FIG. 8 is a bottom perspective view thereof.

1 Claim, 8 Drawing Sheets



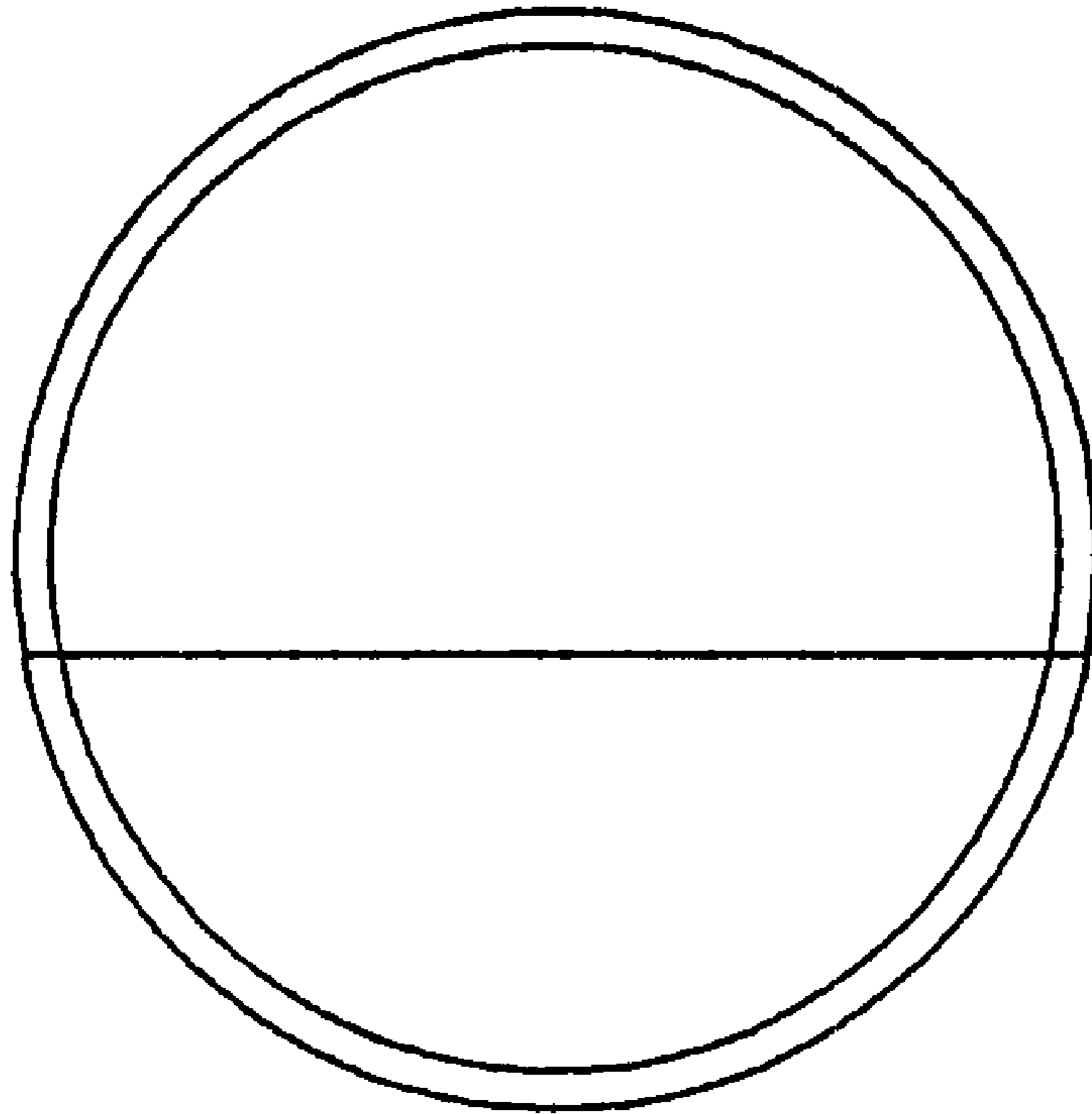


FIGURE 1

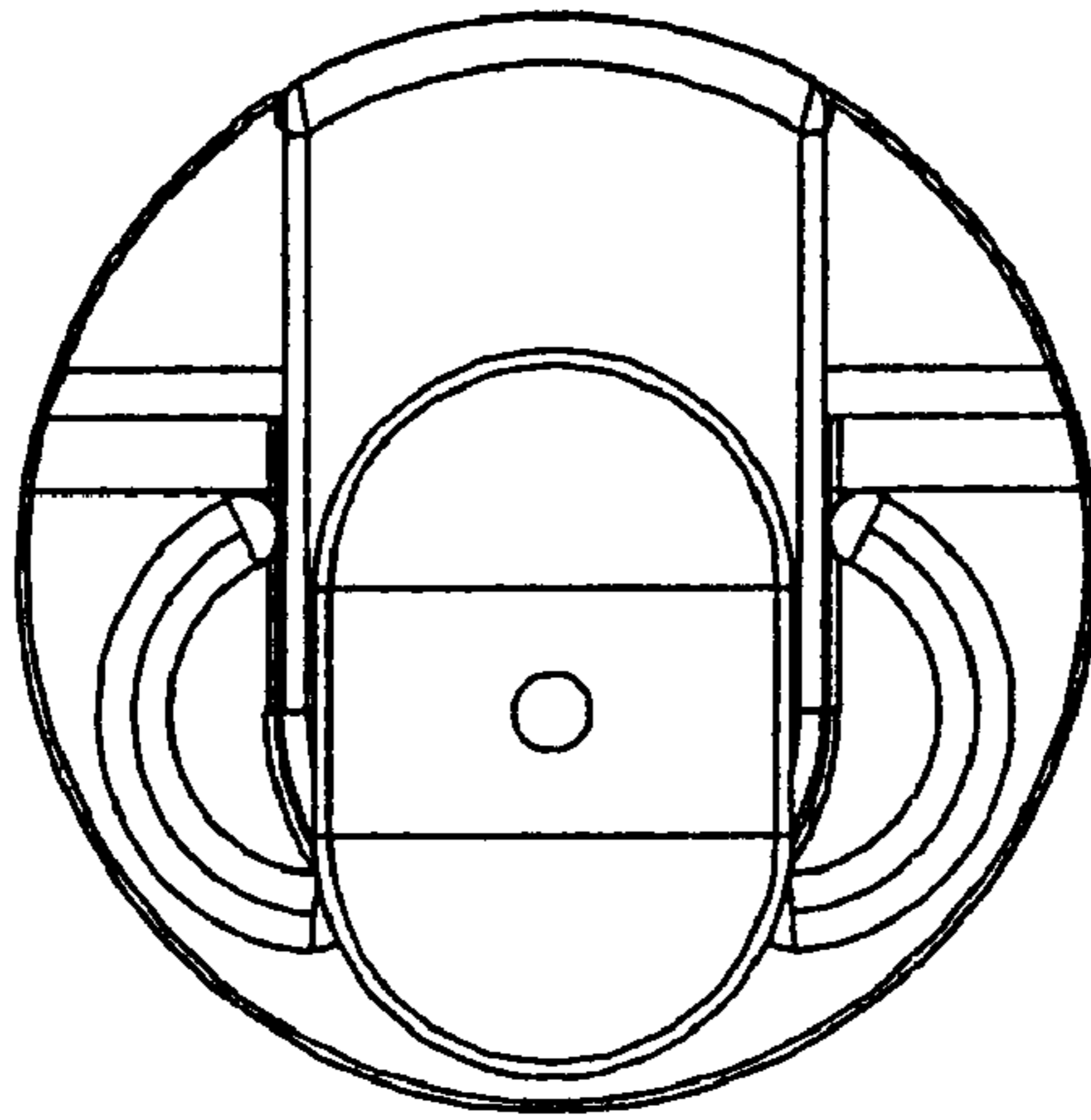


FIGURE 2

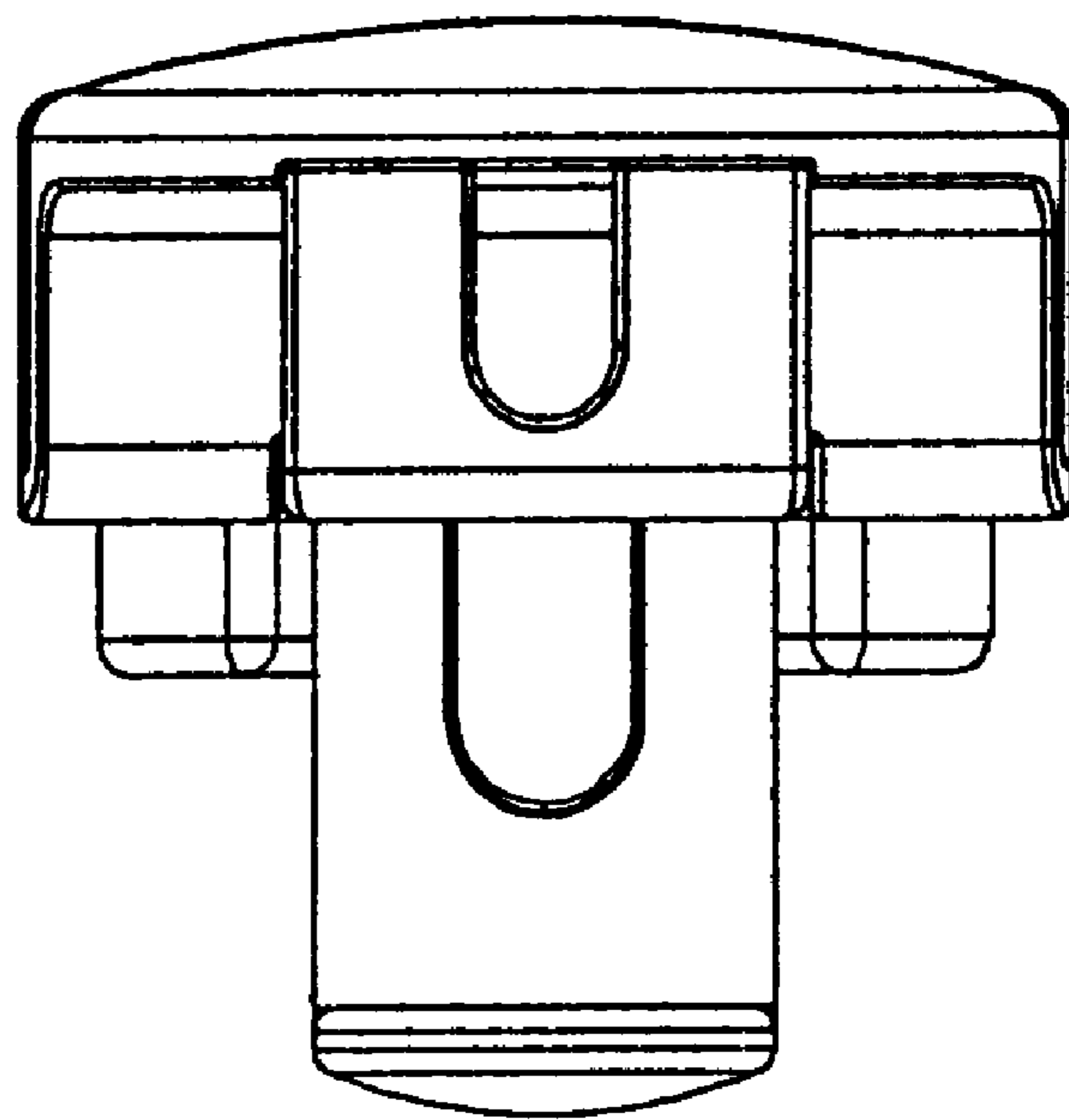


FIGURE 3

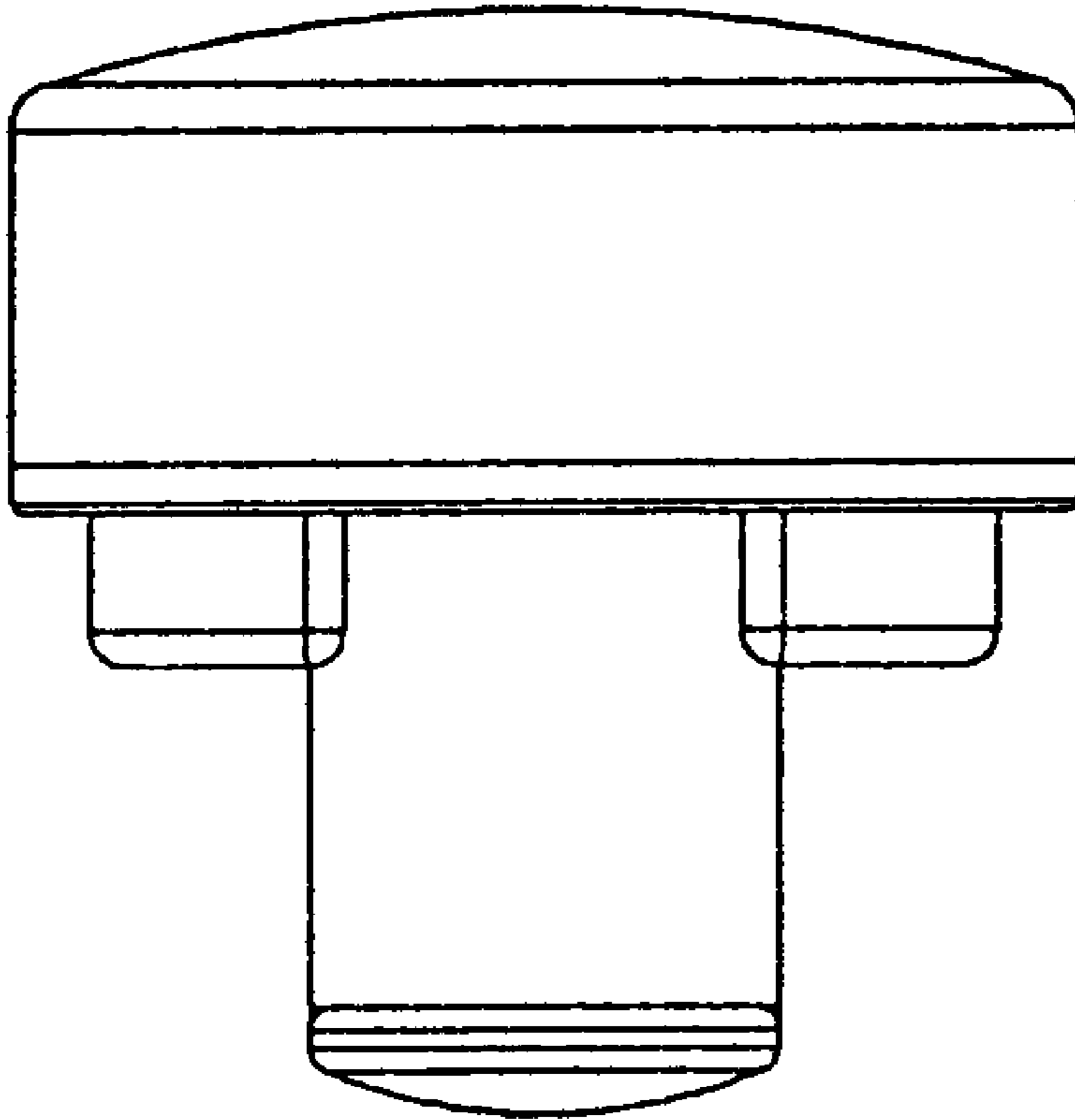


FIGURE 4

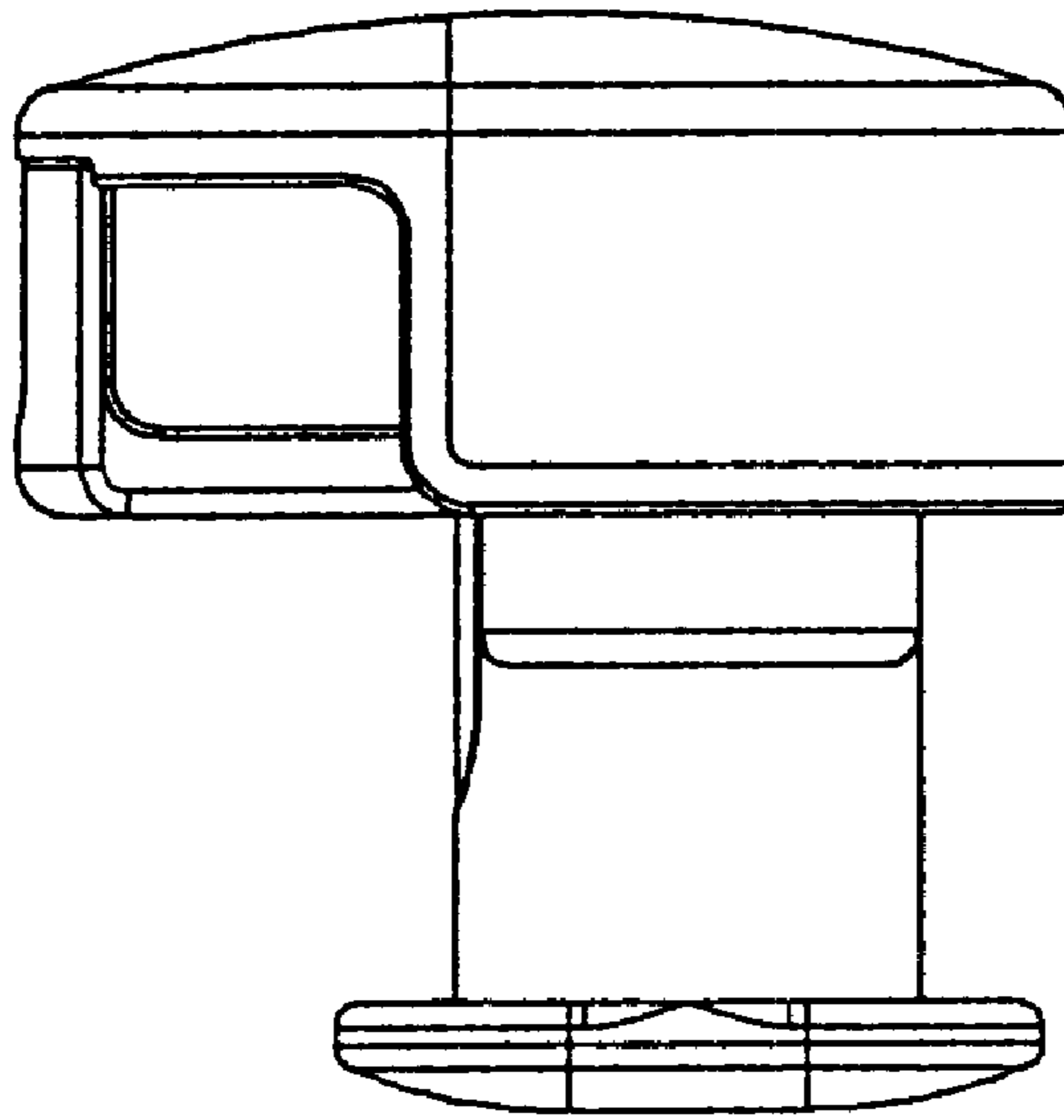


FIGURE 5

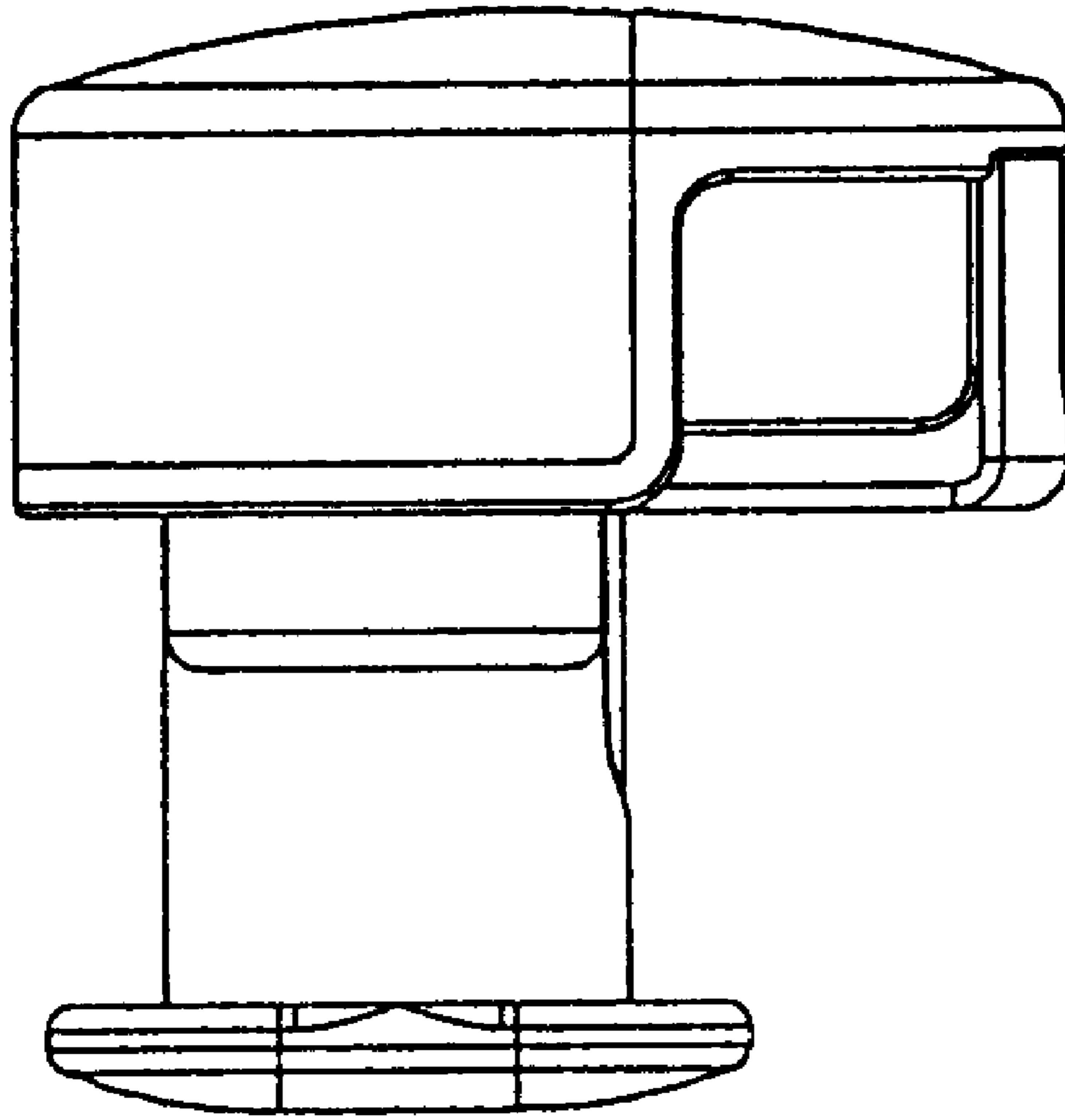


FIGURE 6

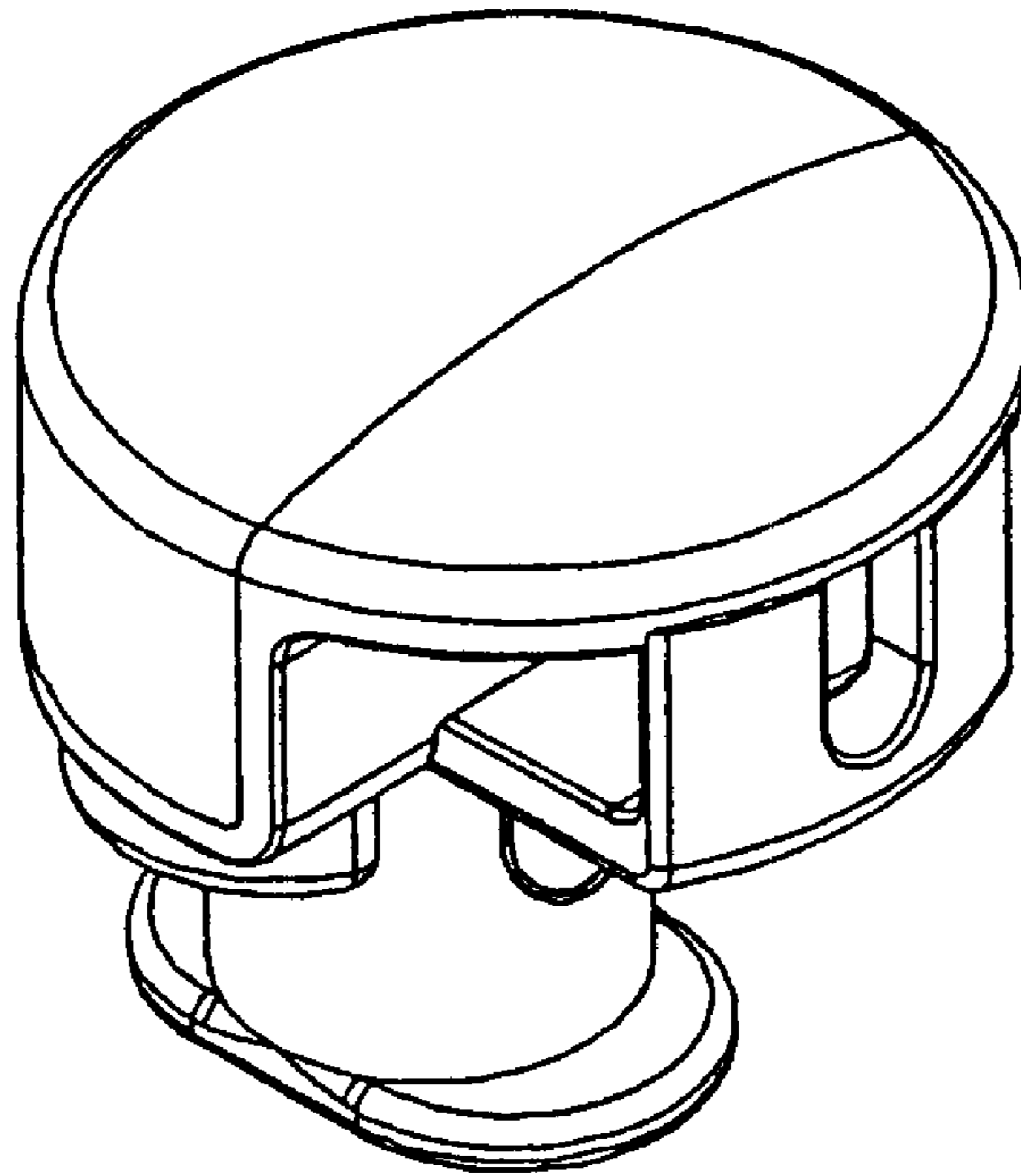


FIGURE 7

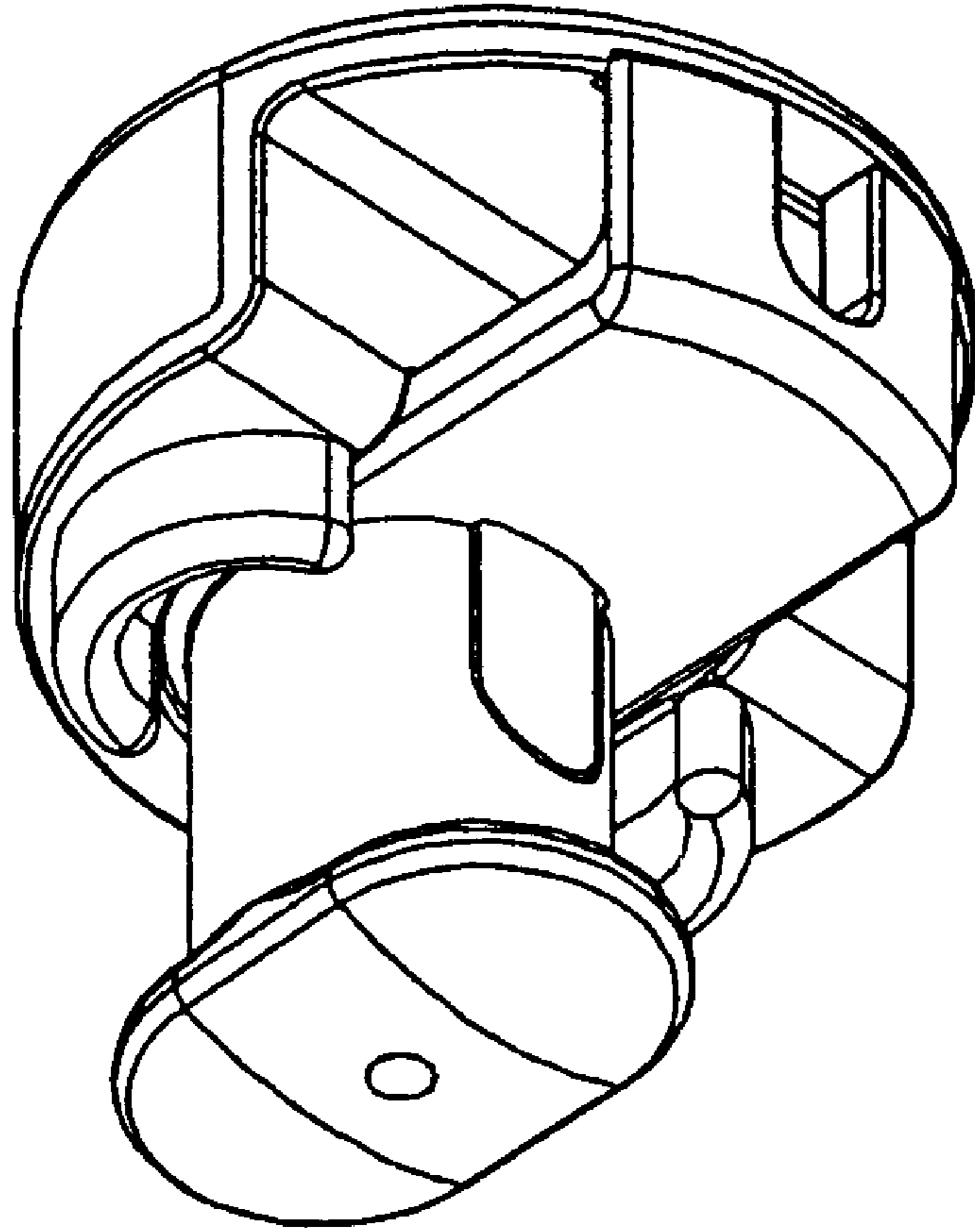


FIGURE 8