



US00D478491S

(12) **United States Design Patent**
Börjesson

(10) **Patent No.: US D478,491 S**

(45) **Date of Patent: ** Aug. 19, 2003**

(54) **RETAINER JAW FOR A QUICK-LOCKING TOOL**

(75) **Inventor: Jan Erik Börjesson, Vättlösa**
Kringelsbäck (SE)

(73) **Assignee: AB Goteneds Mekaniska Verkstad**
(SE)

(**) **Term: 14 Years**

(21) **Appl. No.: 29/132,960**

(22) **Filed: Nov. 17, 2000**

(30) **Foreign Application Priority Data**

May 17, 2000 (SE) 00-0948

(51) **LOC (7) Cl. 08-05**

(52) **U.S. Cl. D8/71**

(58) **Field of Search** D8/71-74, 349,
D8/51-52, 21, 22; 269/256-257, 902, 259,
268, 271, 274, 275, 157; 81/186, 185.1,
185.2, 178, 179, 418-424, 424.5, 426, 426.5;
408/188; 72/319-323

(56) **References Cited**

U.S. PATENT DOCUMENTS

526,658 A * 9/1894 Polis 81/186
1,336,087 A * 4/1920 O'Shaughnessy 269/157
2,195,277 A * 3/1940 Kleinman 269/249
2,492,558 A * 12/1949 Deubler, Jr. 81/178
2,838,971 A * 6/1958 Shekter 269/268

3,021,149 A * 2/1962 Griffin 81/185.1
D280,285 S * 8/1985 Miller et al. D10/70
4,856,315 A * 8/1989 Salvagnini 72/322
5,183,245 A * 2/1993 DiNapoli et al. 269/265
D375,238 S * 11/1996 Colley D8/72
D406,036 S * 2/1999 Flachslaender et al. D8/74
5,927,135 A * 7/1999 Kutschker 72/319
5,941,116 A * 8/1999 Kunze 72/322
5,996,389 A * 12/1999 Kaltenbach 72/319
6,170,315 B1 * 1/2001 Codatto 72/316

OTHER PUBLICATIONS

Tool Crib of the North 1991-92 Catalog p. 90 assorted vises.*

* cited by examiner

Primary Examiner—Louis S. Zarfes

Assistant Examiner—Deanne Levy

(74) *Attorney, Agent, or Firm*—Ostrolenk, Faber, Gerb & Soffen, LLP

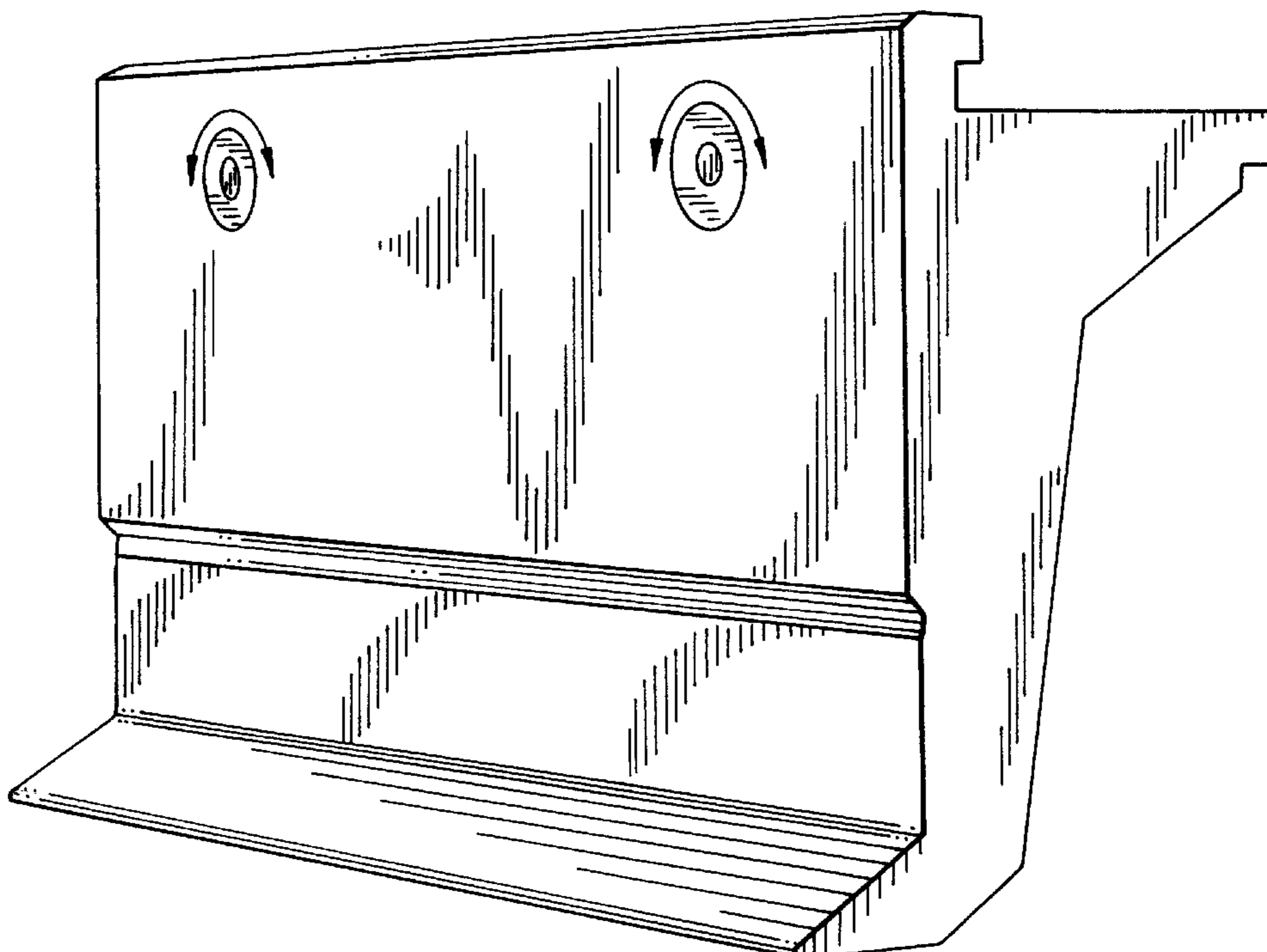
(57) **CLAIM**

The ornamental design for a retainer jaw for a quick-locking tool, as shown and described.

DESCRIPTION

FIG. 1 is a front, right side perspective view of a retainer jaw for a quick-locking tool, showing my new design;
FIG. 2 is a front, top, right side perspective view thereof; and,
FIG. 3 is a front, rear and bottom view thereof.

1 Claim, 3 Drawing Sheets



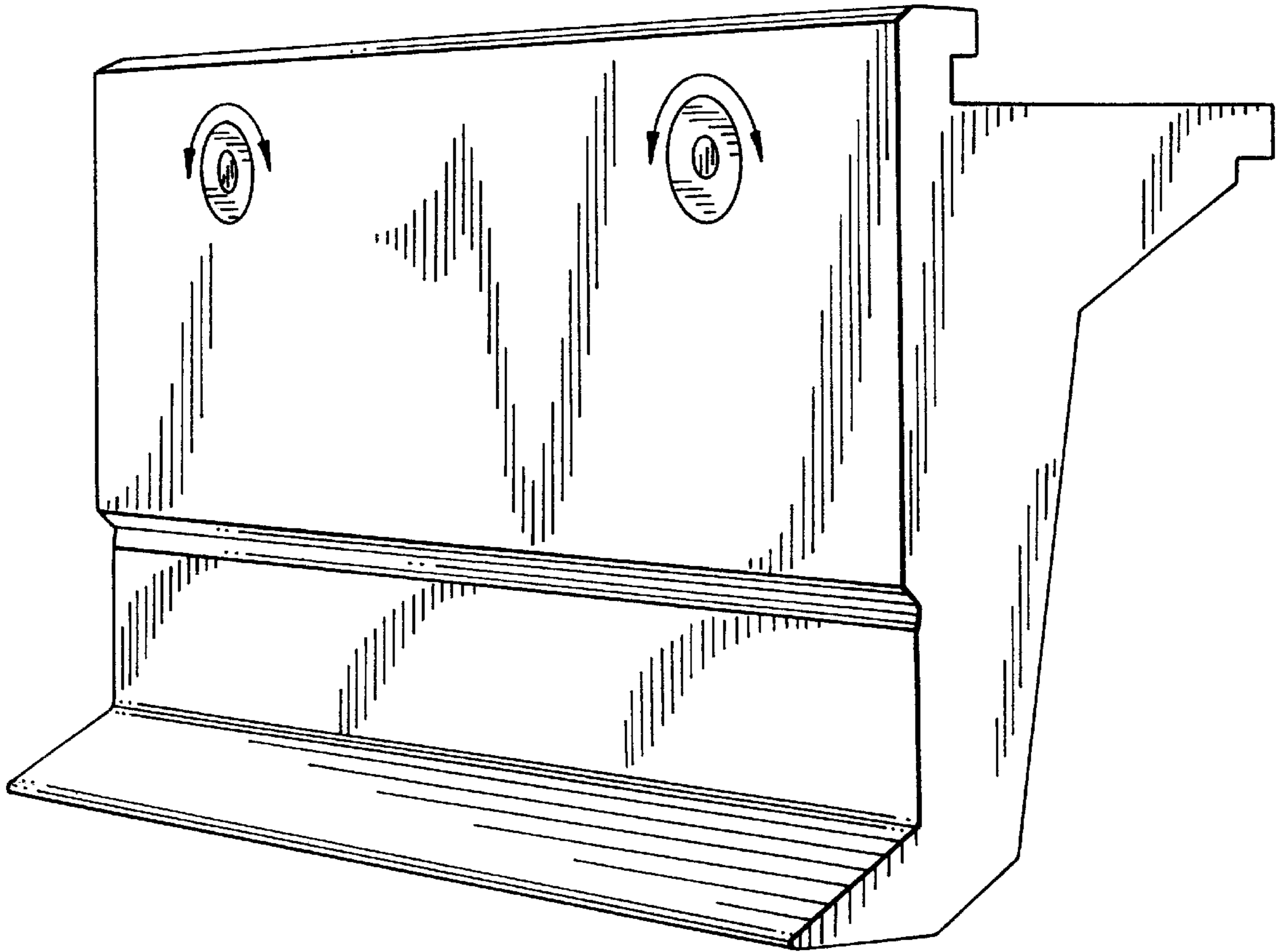


FIG. 1

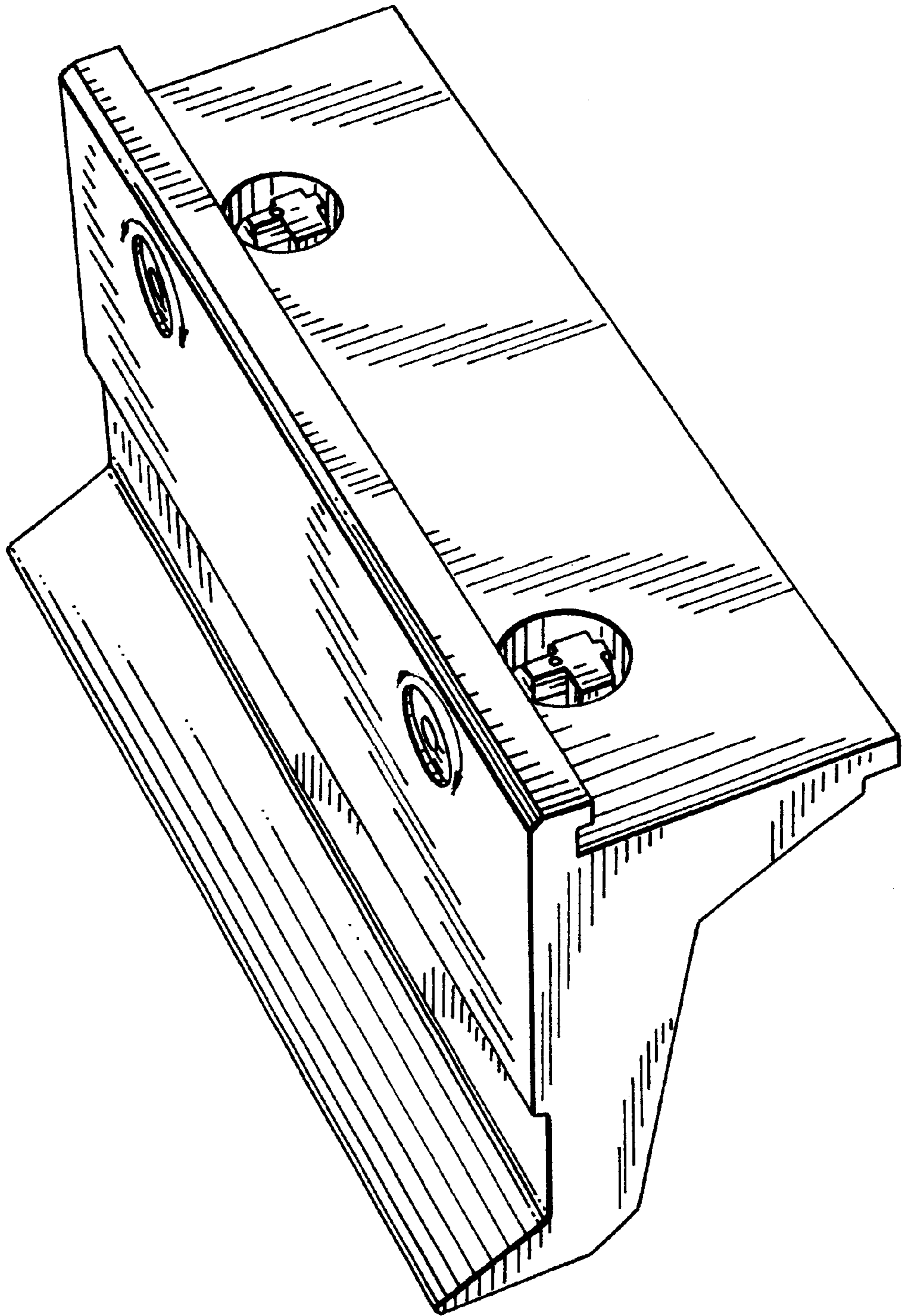


FIG. 2

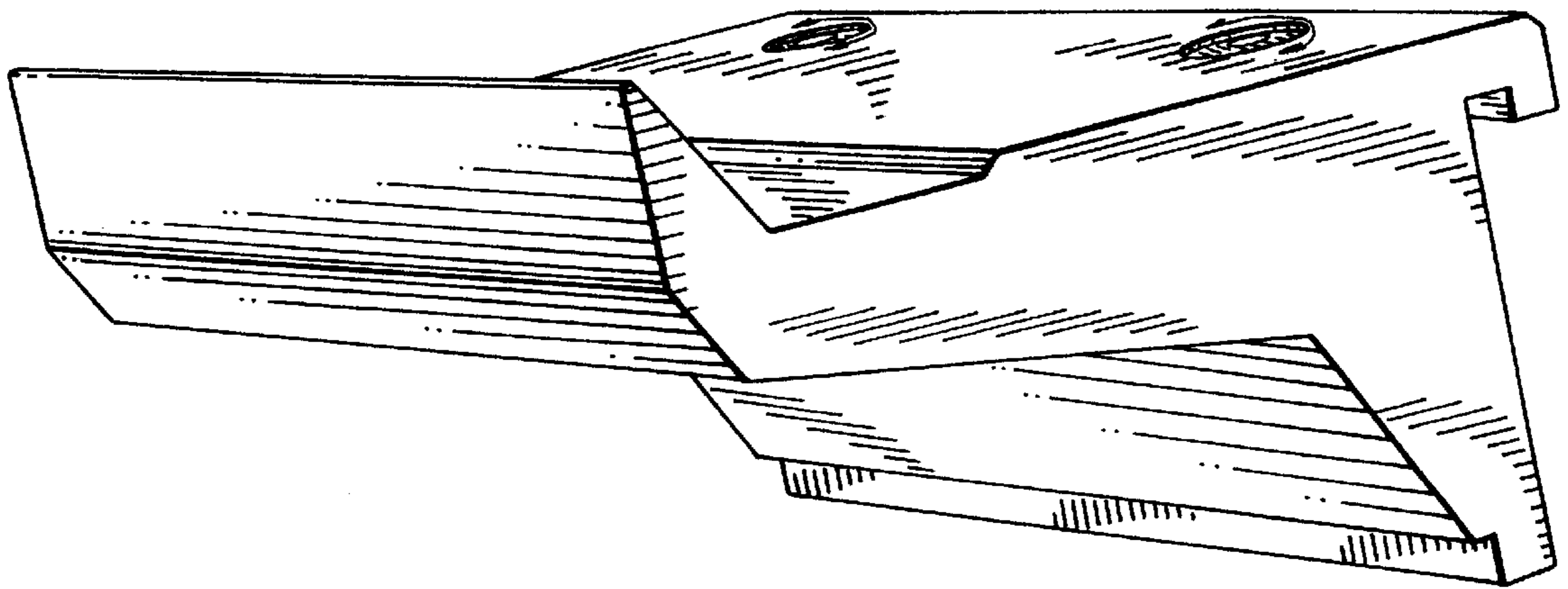


FIG. 3