



US00D478488S

(12) **United States Design Patent**
Bruno et al.

(10) **Patent No.: US D478,488 S**

(45) **Date of Patent: ** Aug. 19, 2003**

(54) **PALM GRIP SANDER**

(75) Inventors: **Robert Bruno**, Avon, CT (US);
Christopher Switalski, Suffield, CT
(US); **Robert Pjevach**, Lindenhurst, IL
(US); **Todd LiPetri**, Naperville, IL
(US)

(73) Assignee: **S-B Power Tool Corporation**, Chicago,
IL (US)

(**) Term: **14 Years**

(21) Appl. No.: **29/170,154**

(22) Filed: **Nov. 2, 2002**

(51) **LOC (7) Cl. 08-01**

(52) **U.S. Cl. D8/62**

(58) **Field of Search** D8/61, 62, 67,
D8/69; 173/168, 169, 170, 171, 217; 310/47,
50; 451/344, 351, 355, 356, 357, 358, 359,
451, 453, 456

(56) **References Cited**

U.S. PATENT DOCUMENTS

5,018,314 A	*	5/1991	Fushiya et al.	451/357
D326,398 S	*	5/1992	Fushiya et al.	D8/62
D329,362 S	*	9/1992	Saito et al.	D8/62
D345,089 S	*	3/1994	Kikuchi et al.	D8/62
5,384,984 A	*	1/1995	Smith	451/357
D376,304 S	*	12/1996	Clowers et al.	D8/62
D380,950 S	*	7/1997	Gildersleeve et al.	D8/62

D386,376 S	*	11/1997	Kaneko et al.	D8/62
D392,861 S	*	3/1998	Gildersleeve et al.	D8/62
5,813,903 A	*	9/1998	Amano et al.	451/294
D408,245 S	*	4/1999	Evans et al.	D8/62
D448,262 S	*	9/2001	Heun	D8/62
D468,178 S	*	1/2003	Wright et al.	D8/62
D468,608 S	*	1/2003	Wacker et al.	D8/62
6,503,133 B2	*	1/2003	Wuensch	451/294

* cited by examiner

Primary Examiner—Doris V. Coles

Assistant Examiner—Elizabeth A. Albert

(74) *Attorney, Agent, or Firm*—Victor A. Henzi

(57) **CLAIM**

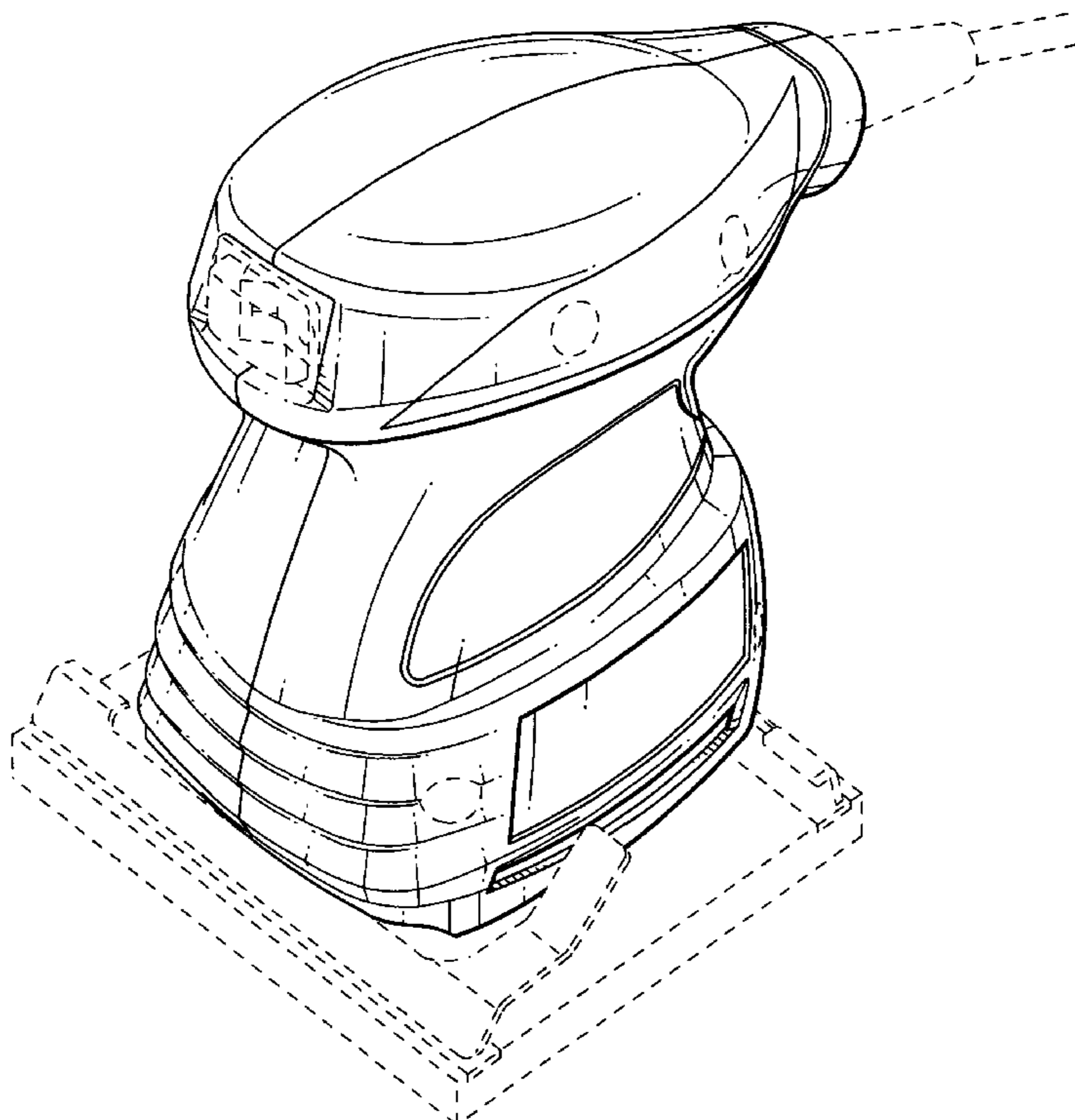
The ornamental design for a palm grip sander, as shown and described.

DESCRIPTION

FIG. 1 is a front perspective view of the present new design for a palm grip sander;
FIG. 2 is a left side view thereof;
FIG. 3 is a right side view thereof;
FIG. 4 is a front view thereof;
FIG. 5 is a rear view thereof;
FIG. 6 is a top view thereof; and,
FIG. 7 is a bottom view thereof.

The broken lines showing various features of a palm grip sander are for illustrative purposes only and form no part of the claimed design.

1 Claim, 7 Drawing Sheets



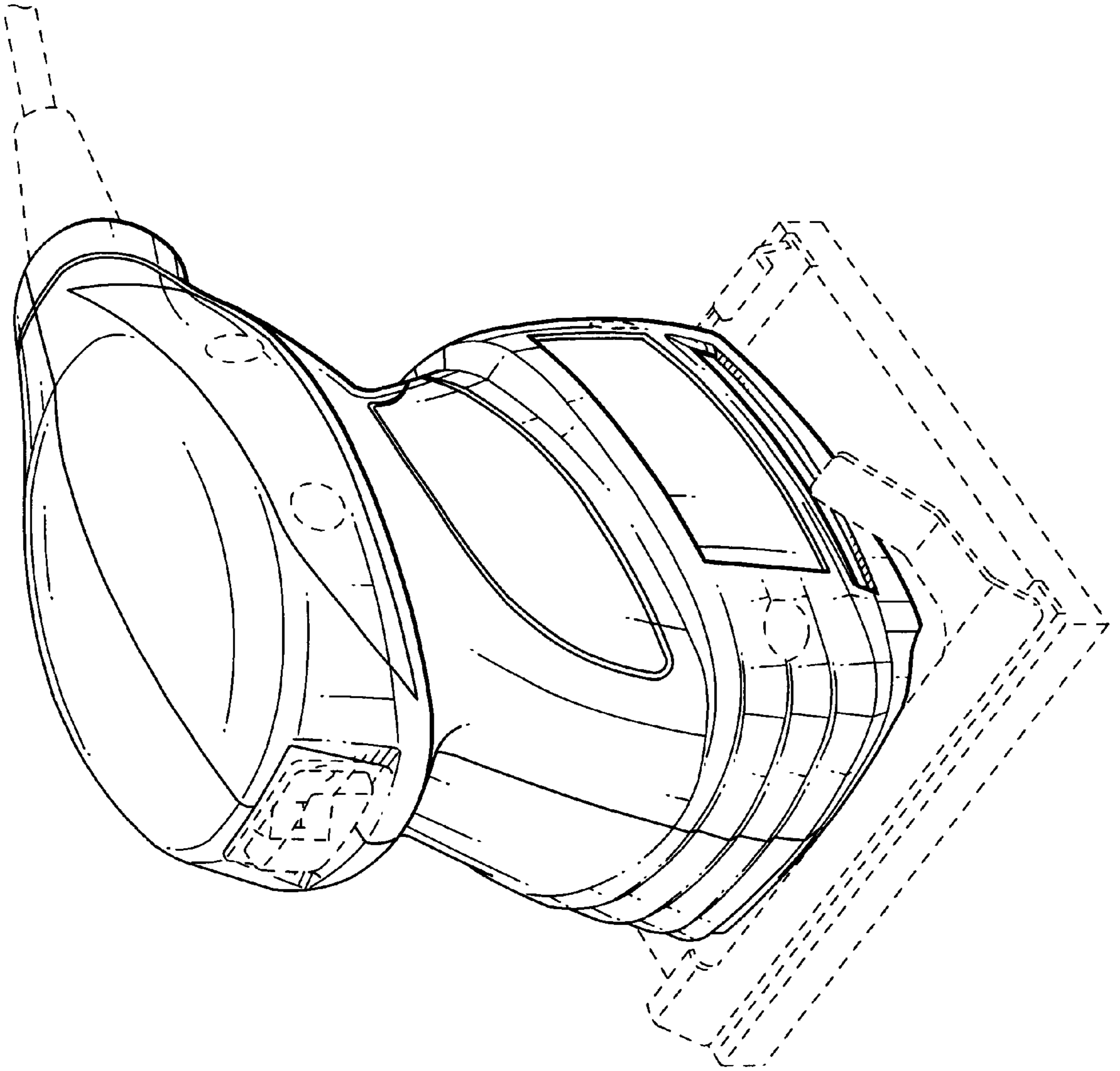


FIG. 1

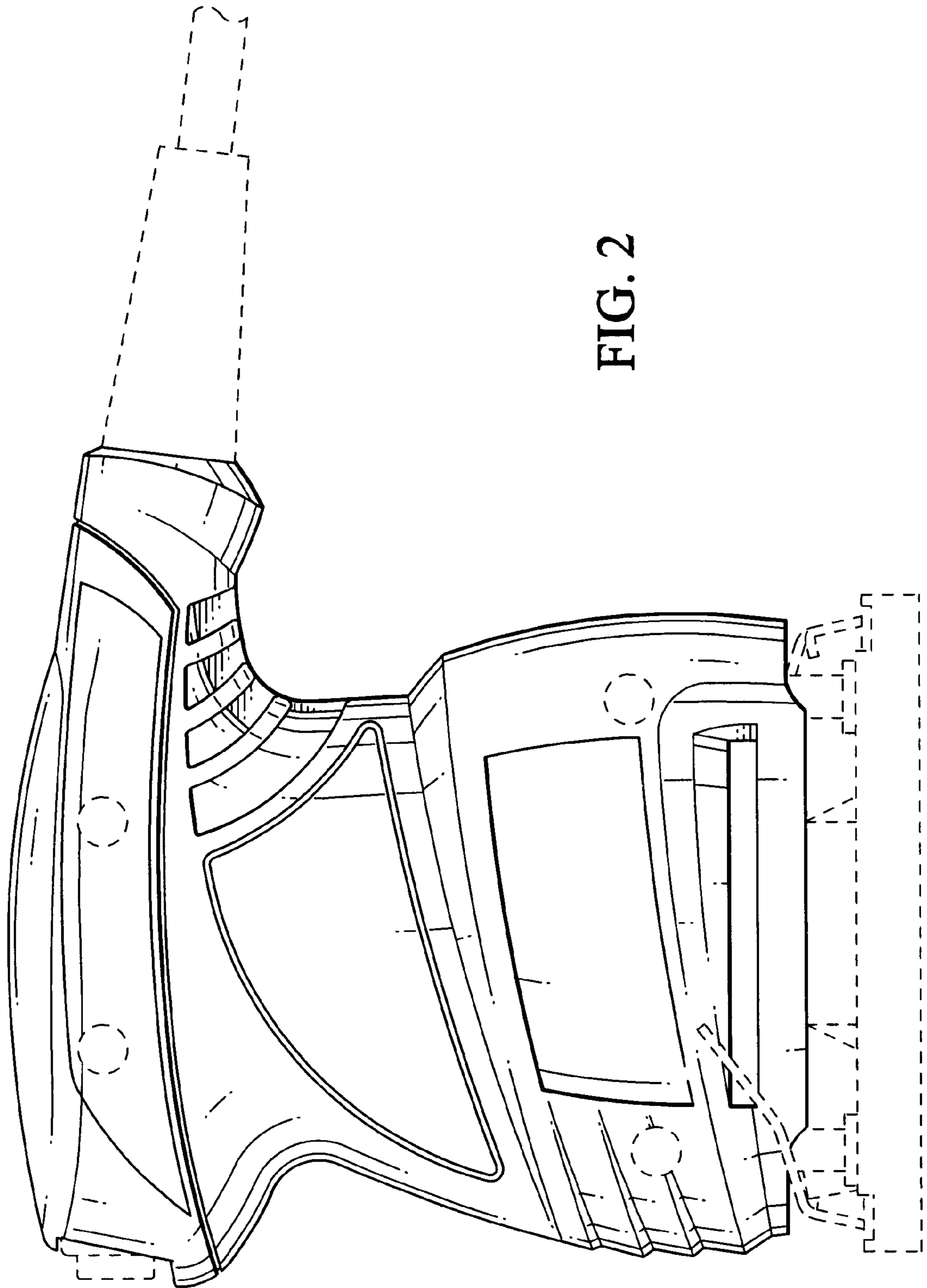


FIG. 2

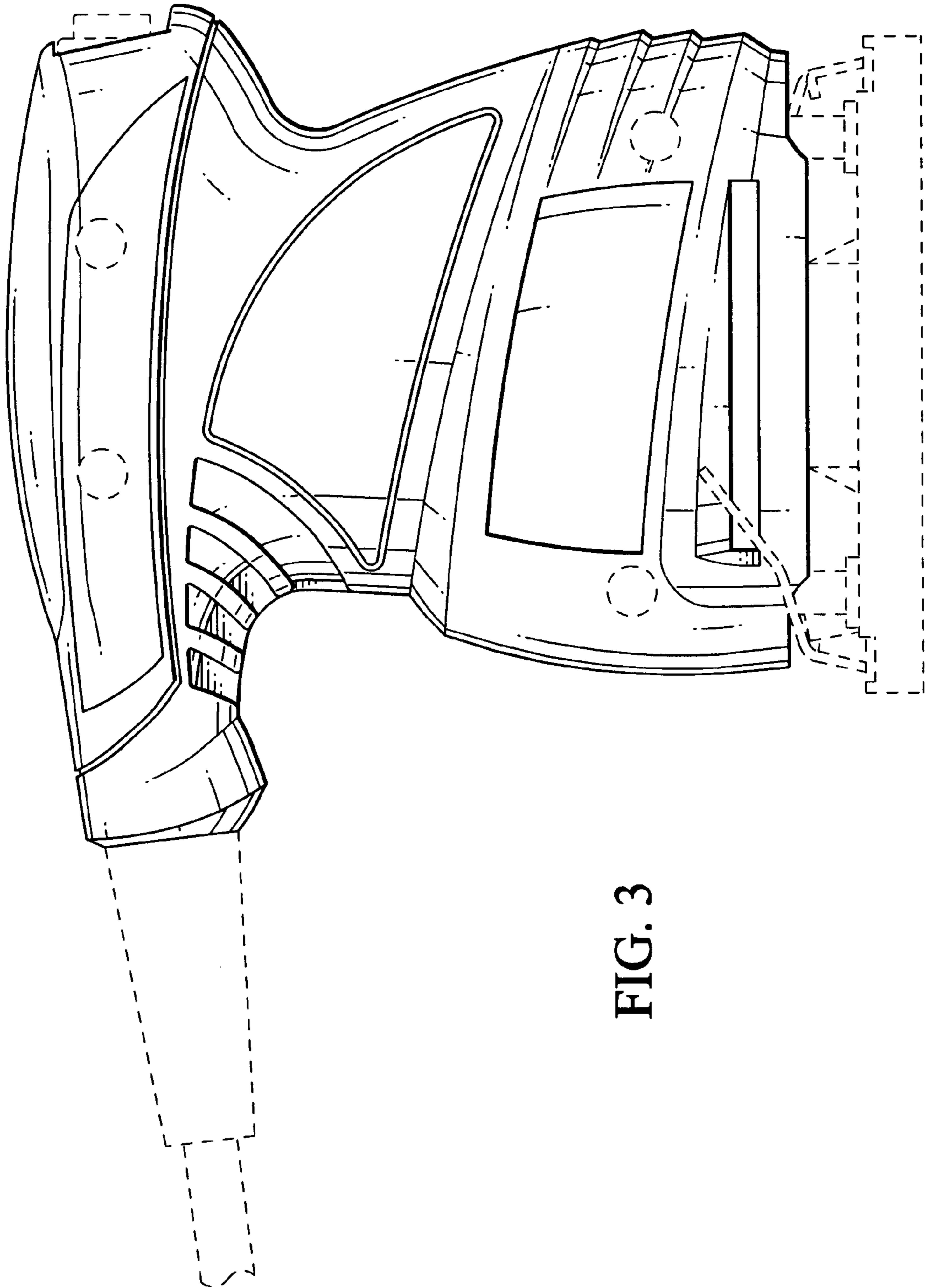


FIG. 3

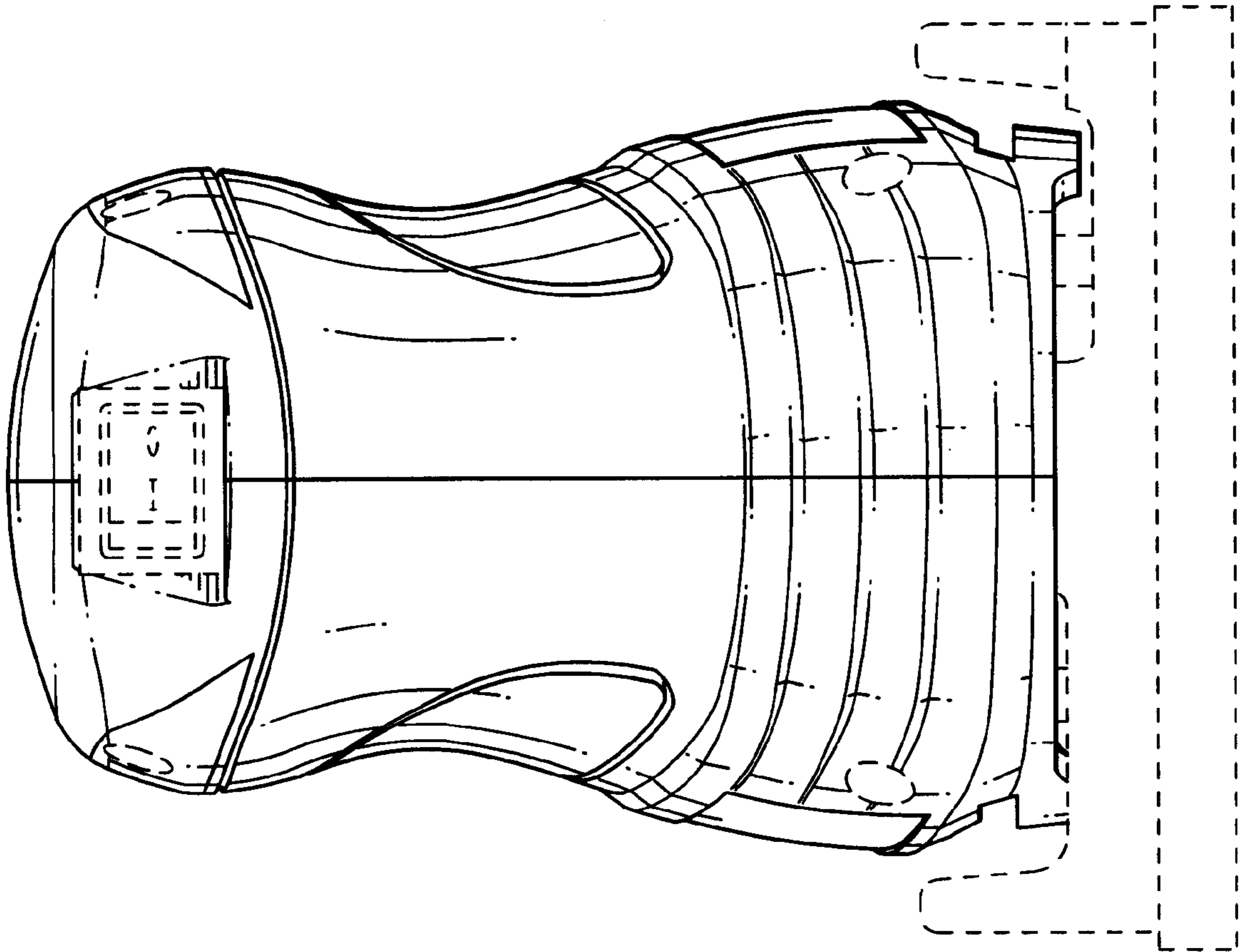


FIG. 4

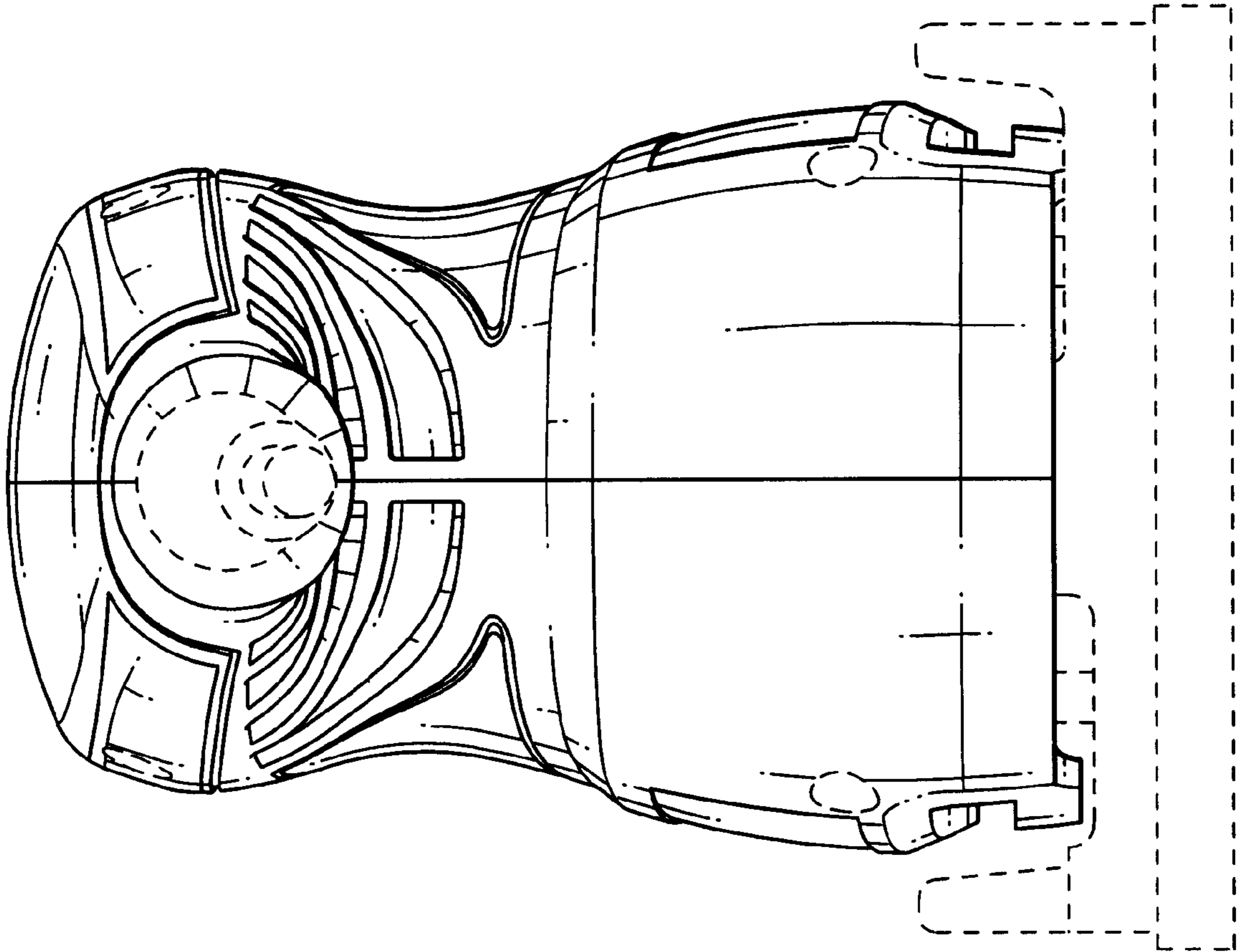


FIG. 5

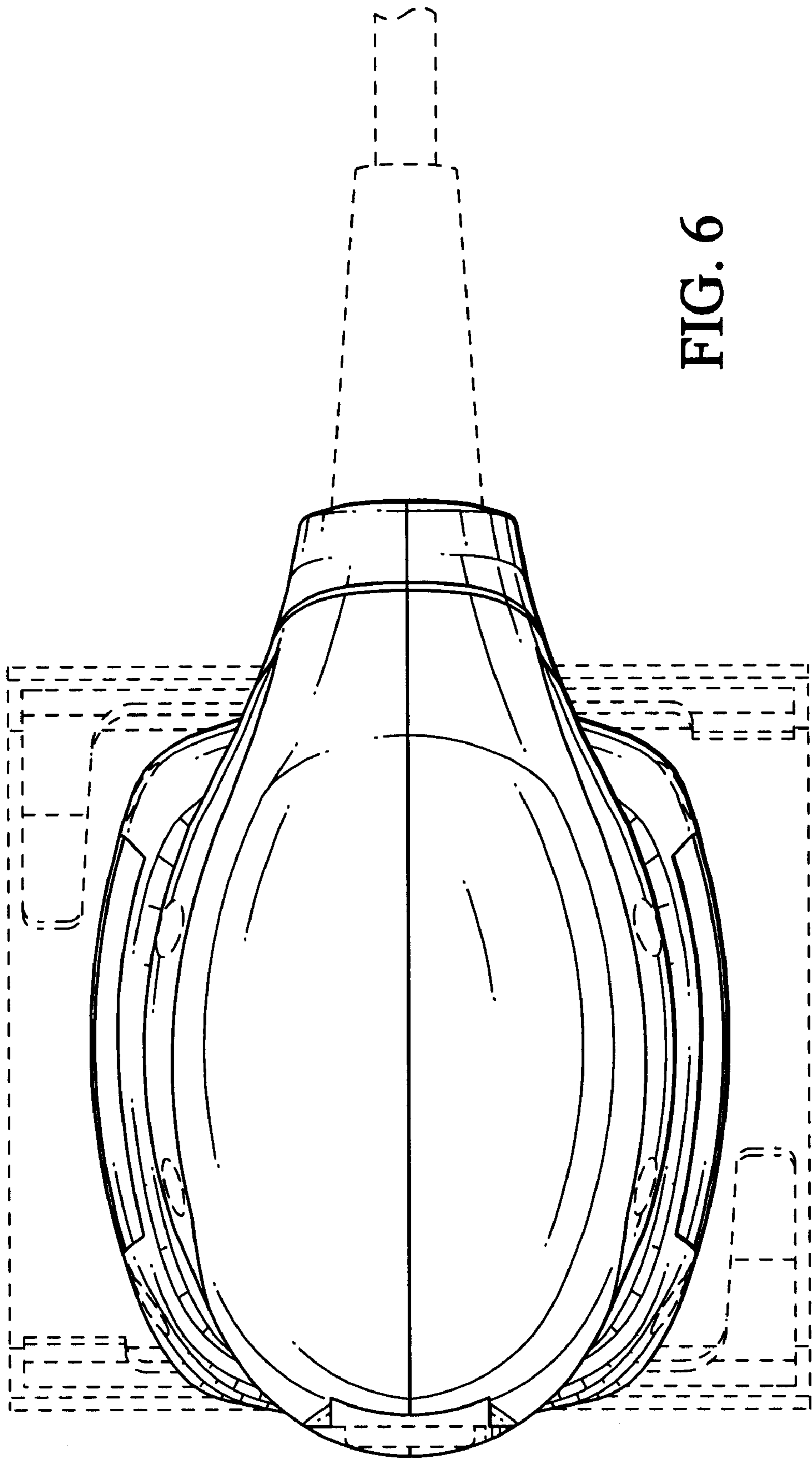


FIG. 6

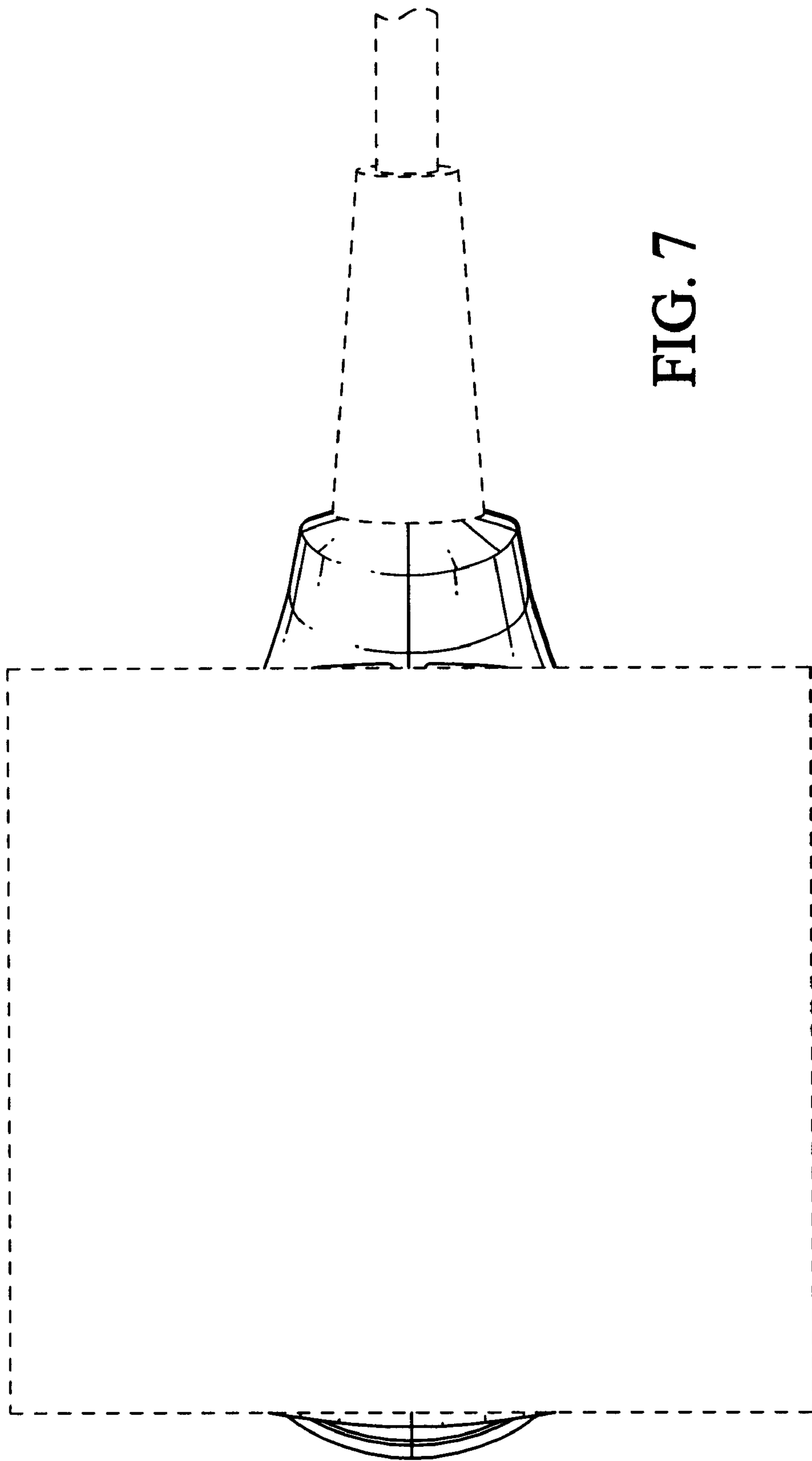


FIG. 7