



US00D478484S

(12) **United States Design Patent**  
**Bull et al.**

(10) **Patent No.:** **US D478,484 S**

(45) **Date of Patent:** **\*\* Aug. 19, 2003**

(54) **LADLE**

D395,381 S \* 6/1998 Cousins ..... D7/691  
D430,462 S 9/2000 Short

(75) Inventors: **Jeffrey Bull**, Naperville, IL (US);  
**Daniel Tagtow**, Austin, TX (US)

\* cited by examiner

(73) Assignee: **Wilton Industries, Inc.**, Woodridge, IL (US)

*Primary Examiner*—Terry A. Wallace  
(74) *Attorney, Agent, or Firm*—Piper Rudnick

(\*\*) Term: **14 Years**

(57) **CLAIM**

The ornamental design for the ladle, as shown.

(21) Appl. No.: **29/163,642**

(22) Filed: **Jul. 10, 2002**

**DESCRIPTION**

(51) **LOC (7) Cl.** ..... **07-02**

(52) **U.S. Cl.** ..... **D7/691**

(58) **Field of Search** ..... D7/691, 692, 393,  
D7/395, 401.2, 642, 647, 653, 664; 30/324-328;  
294/55

FIG. 1 is a perspective view of the ladle;  
FIG. 2 is a front elevational view of the ladle;  
FIG. 3 is right side elevational view of the ladle, the opposite side of which is an identical mirror image;  
FIG. 4 is a back elevational view of the ladle;  
FIG. 5 is a top plan view of the ladle; and,  
FIG. 6 is a bottom plan view of the ladle.

(56) **References Cited**

**U.S. PATENT DOCUMENTS**

5,348,023 A \* 9/1994 McLucas ..... 600/570

**1 Claim, 3 Drawing Sheets**

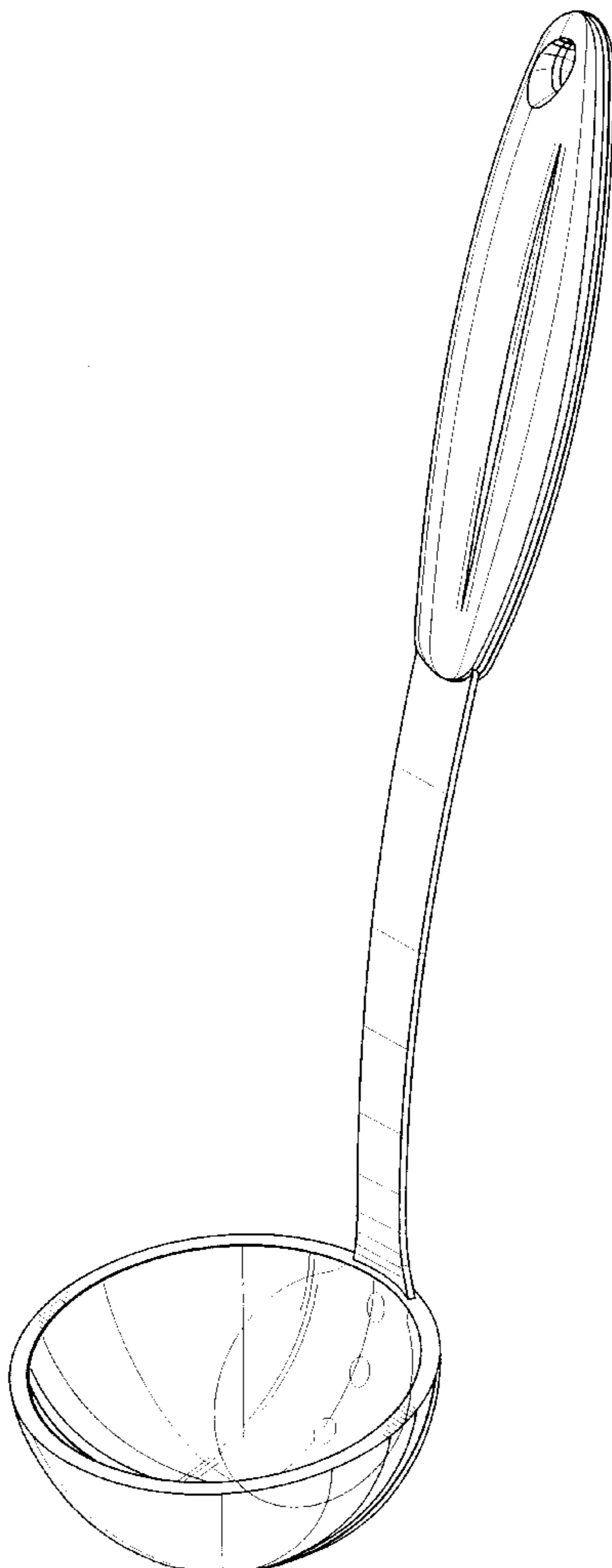


Fig. 1

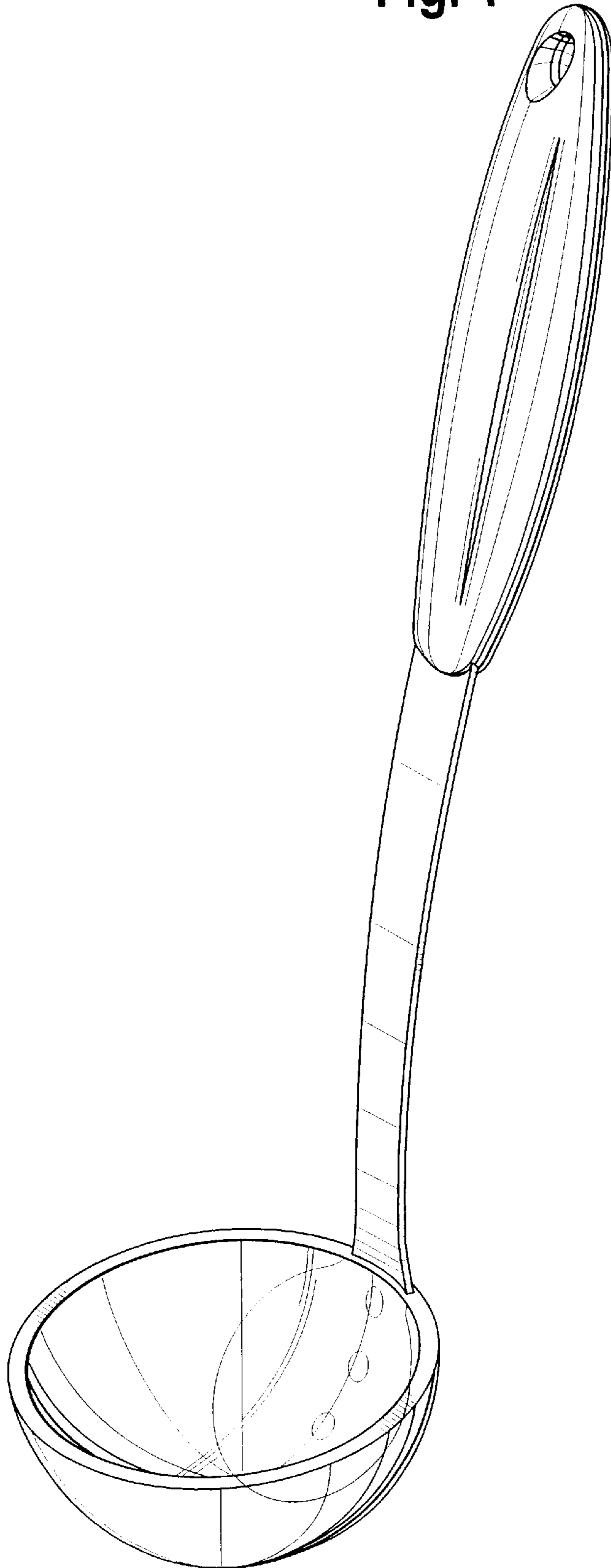


Fig. 2

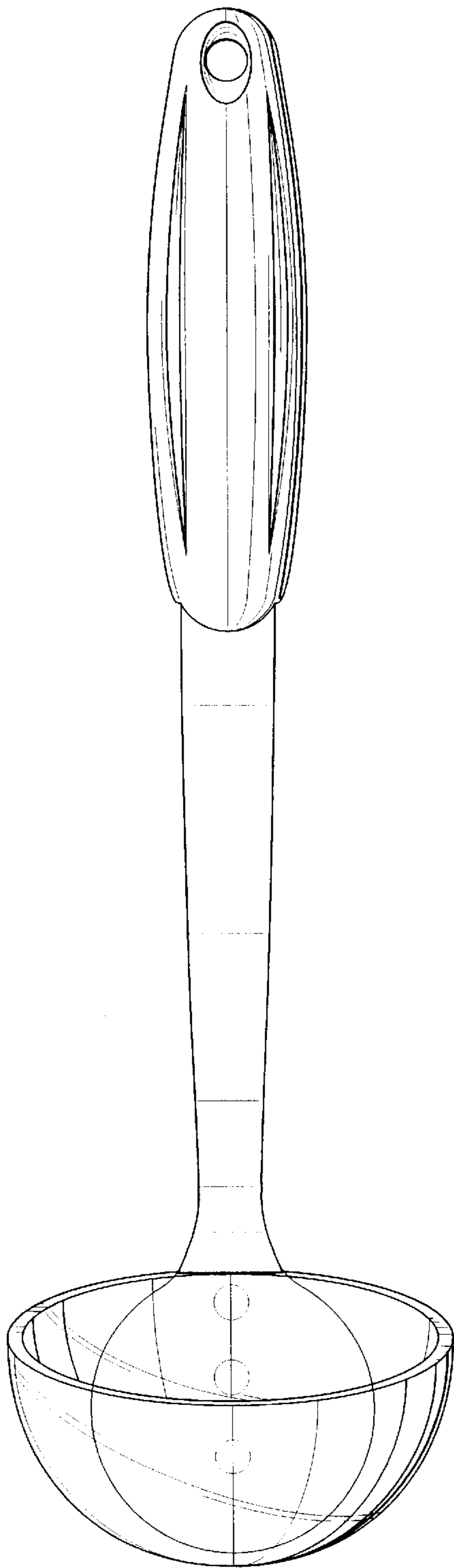
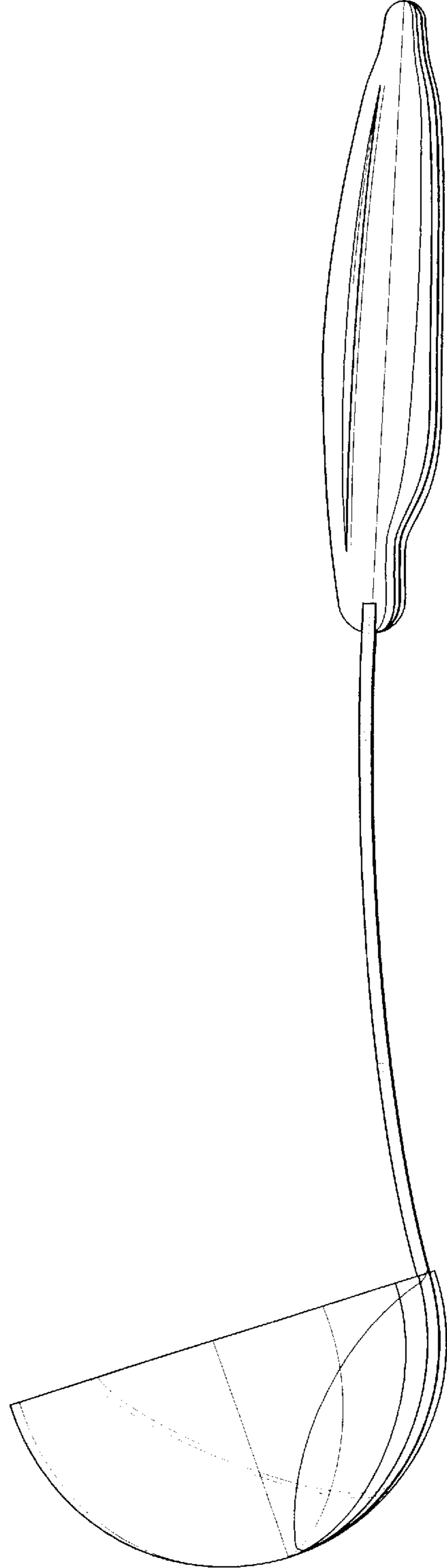
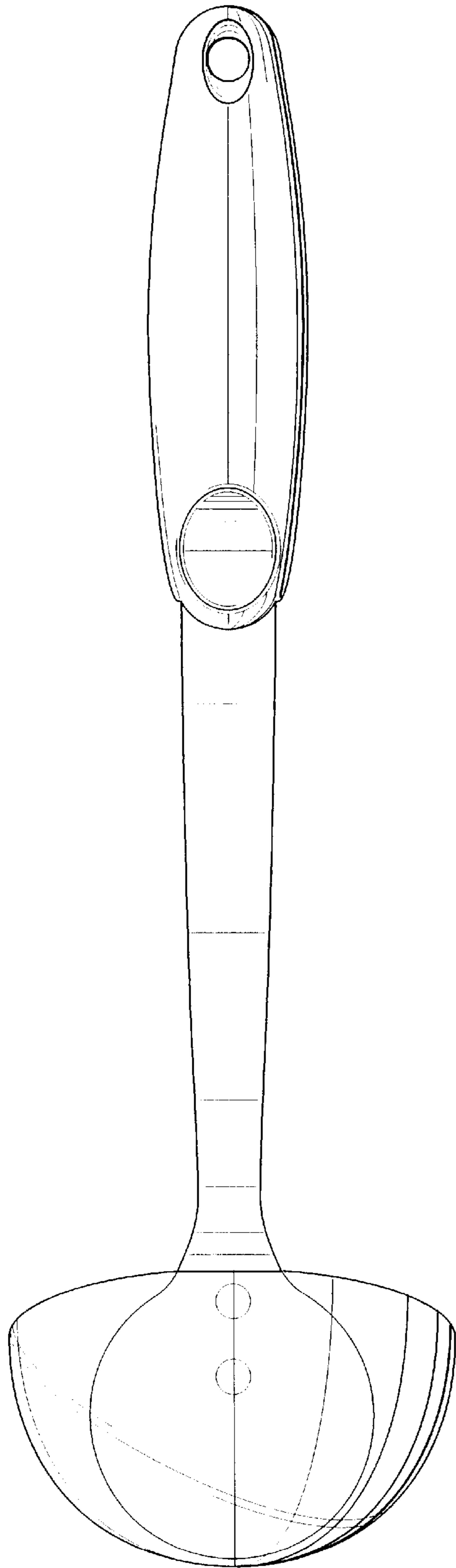


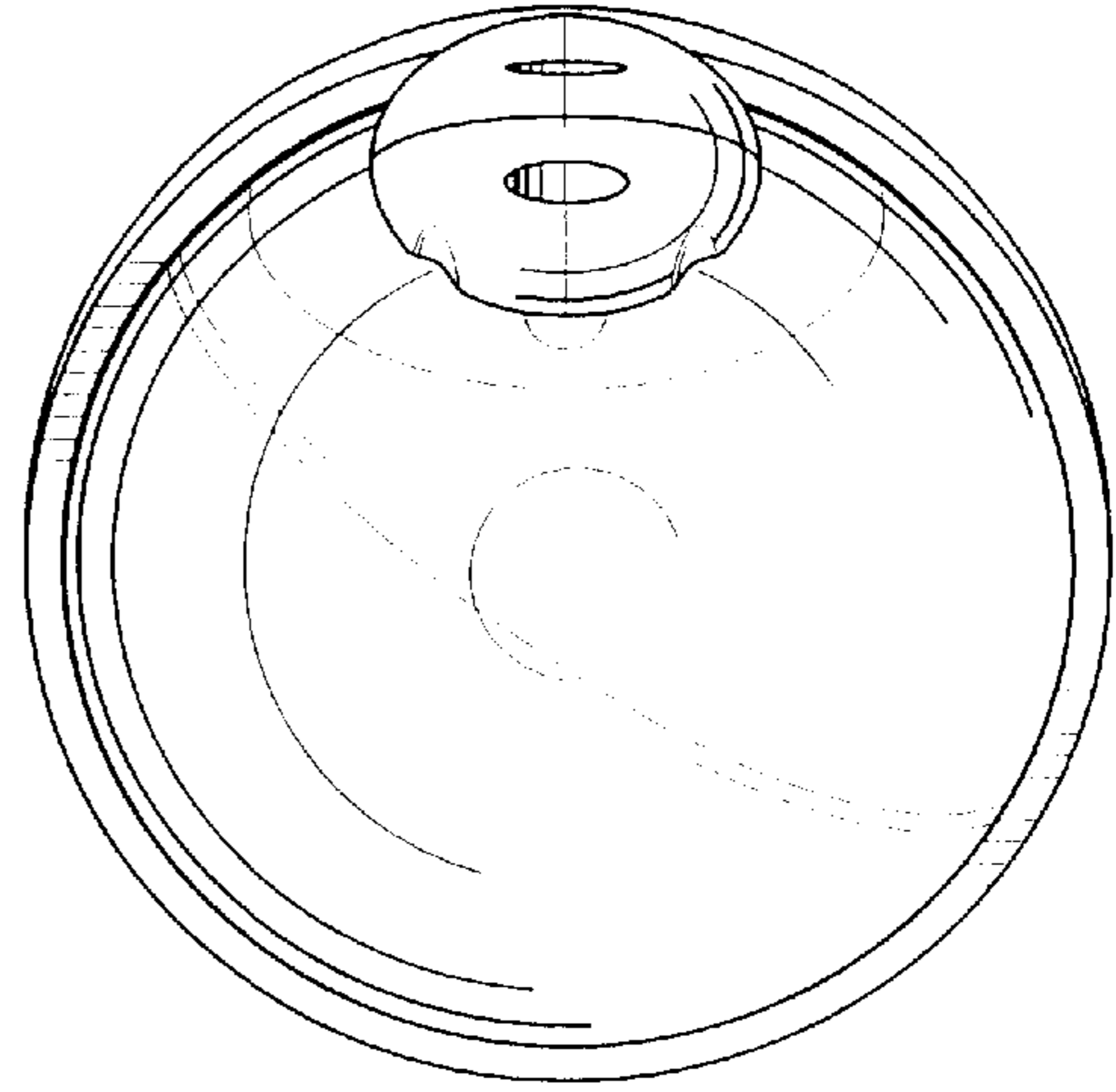
Fig. 3



**Fig. 4**



**Fig. 5**



**Fig. 6**

