



US00D478483S

(12) **United States Design Patent**
Kotsonis

(10) **Patent No.:** **US D478,483 S**

(45) **Date of Patent:** **** Aug. 19, 2003**

(54) **CORN COB BUTTER APPLICATOR**

(75) Inventor: **Peter F. Kotsonis**, Orlando, FL (US)

(73) Assignee: **Dart Industries, Inc.**, Orlando, FL (US)

(**) Term: **14 Years**

(21) Appl. No.: **29/163,013**

(22) Filed: **Jun. 24, 2002**

(51) **LOC (7) Cl.** **07-04**

(52) **U.S. Cl.** **D7/670**

(58) **Field of Search** D7/670, 665, 666;
222/391; 401/9-12, 82, 83, 84, 28, 170,
171, 176, 182, 195, 207

(56) **References Cited**

U.S. PATENT DOCUMENTS

2,527,149 A	*	10/1950	Peterson	401/12
D178,487 S	*	8/1956	Becker	D7/670
2,811,844 A	*	11/1957	Selmer	401/12
2,887,948 A		5/1959	Kramer et al.		
2,893,032 A	*	7/1959	Selmer	401/12
D263,196 S	*	3/1982	Dickinson	D7/670
4,408,919 A		10/1983	Wolff et al.		
D272,796 S		2/1984	Wolff		

D296,646 S	*	7/1988	Yoder	D7/670
4,981,041 A		1/1991	Merkle		
5,059,050 A		10/1991	Guglielmo		
5,060,679 A		10/1991	Christopher et al.		
5,421,663 A		6/1995	Bravo		
5,890,630 A		4/1999	Lobdell	222/192
6,082,596 A		7/2000	Koch	222/390
6,092,460 A		7/2000	Engelhardt	99/495

* cited by examiner

Primary Examiner—Terry A. Wallace

(74) *Attorney, Agent, or Firm*—John A. Doninger

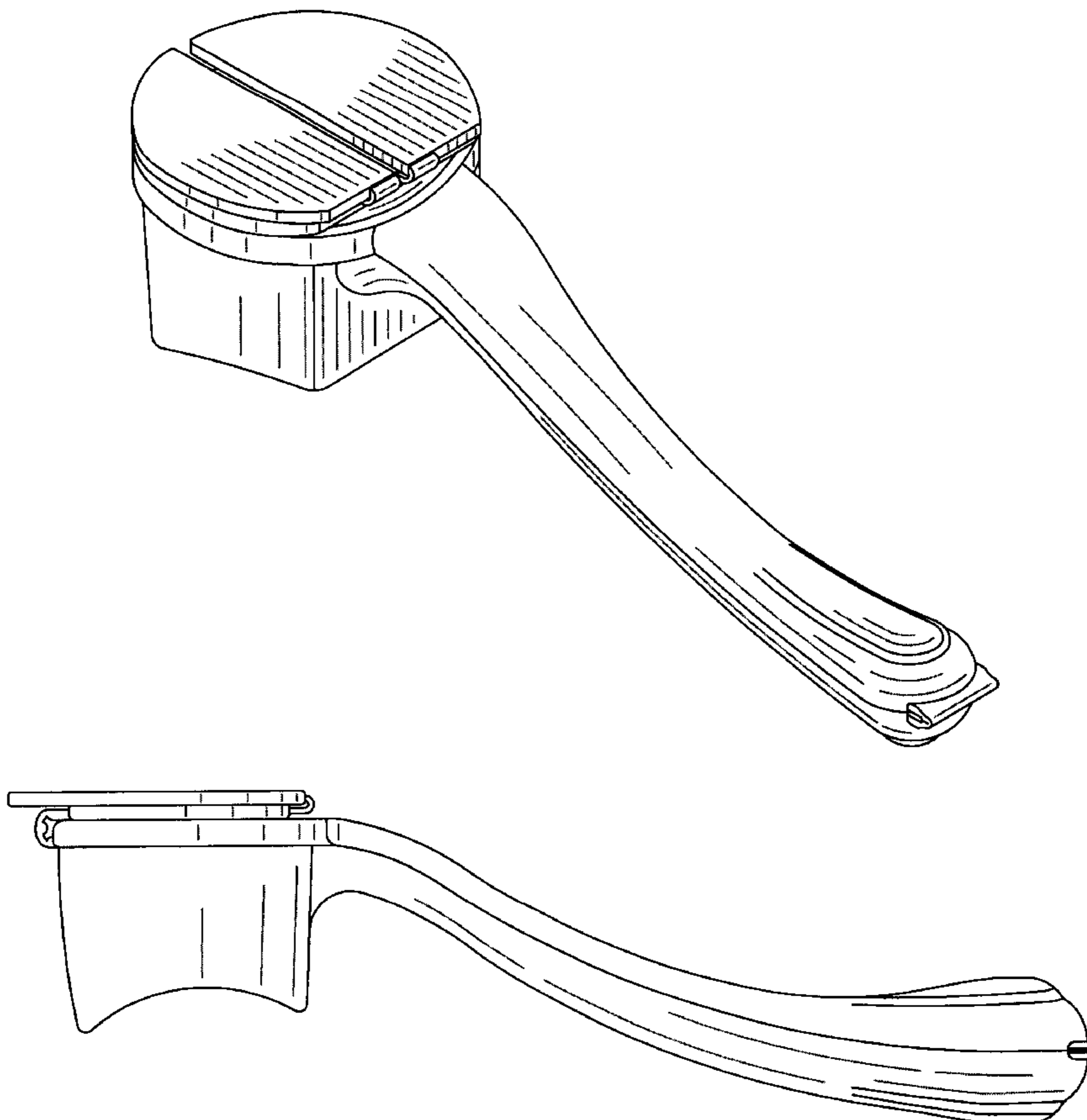
(57) **CLAIM**

The ornamental design for a corn cob butter applicator, as shown and described.

DESCRIPTION

FIG. 1 is a top, side and front perspective view of a corn cob butter applicator showing the new design; FIG. 2 is a front elevation view thereof; FIG. 3 is a rear elevation view thereof; FIG. 4 is a right side elevation view thereof; FIG. 5 is a left side elevation view thereof; FIG. 6 is a top plan view thereof; and, FIG. 7 is a bottom plan view thereof.

1 Claim, 2 Drawing Sheets



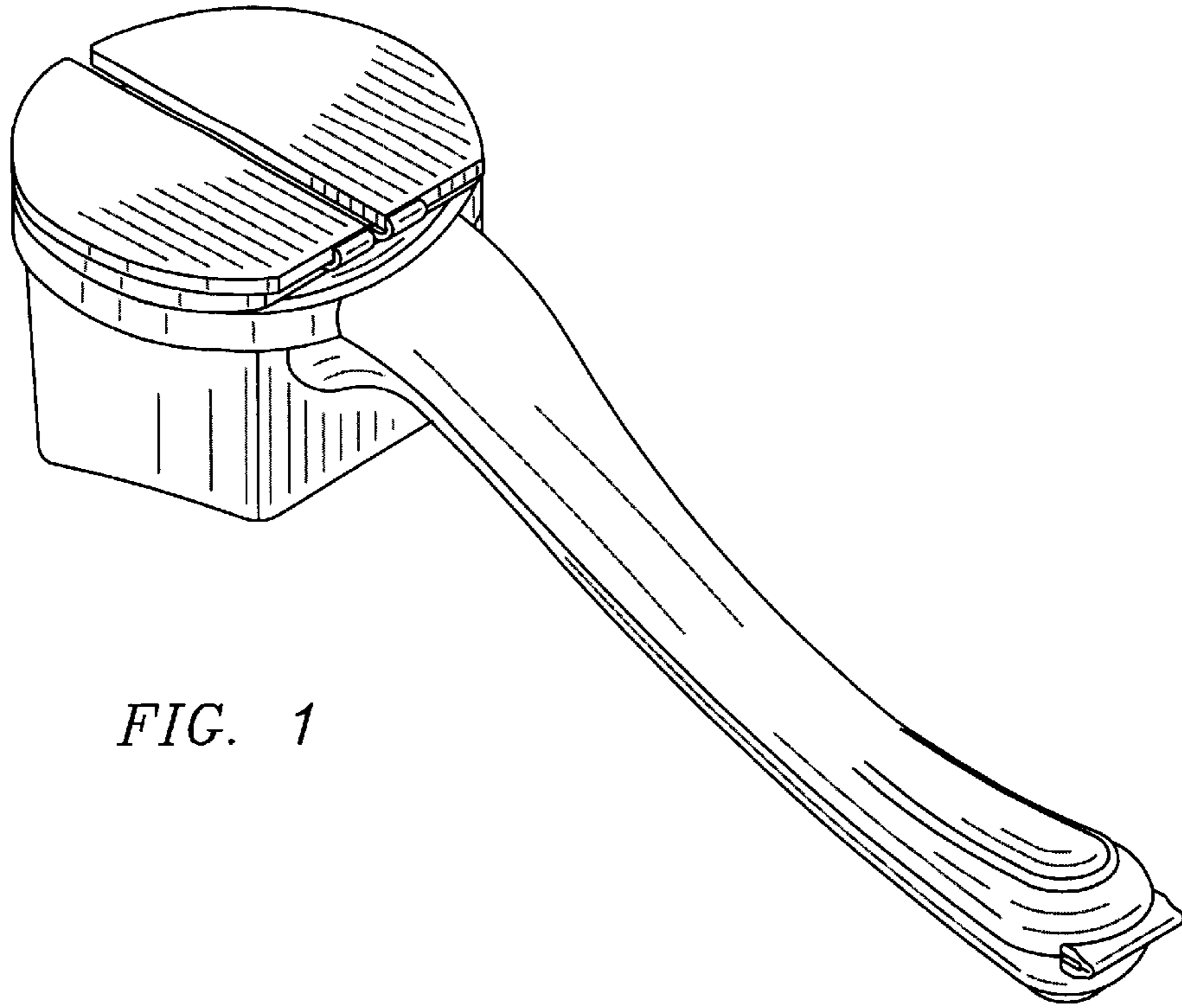


FIG. 1

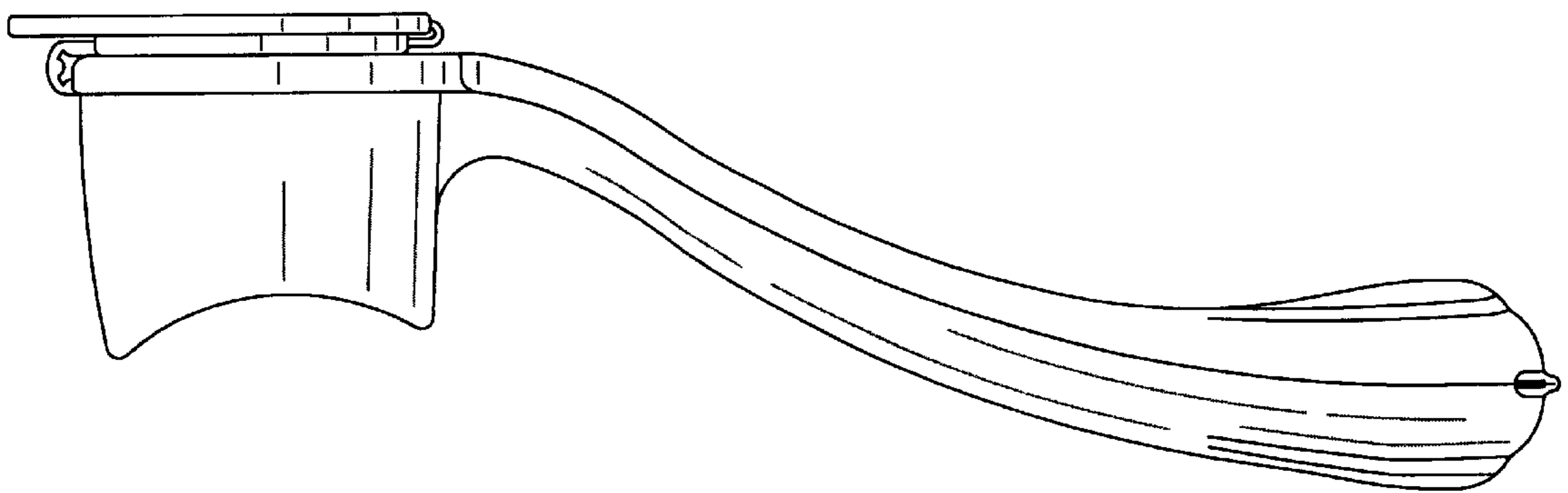


FIG. 2

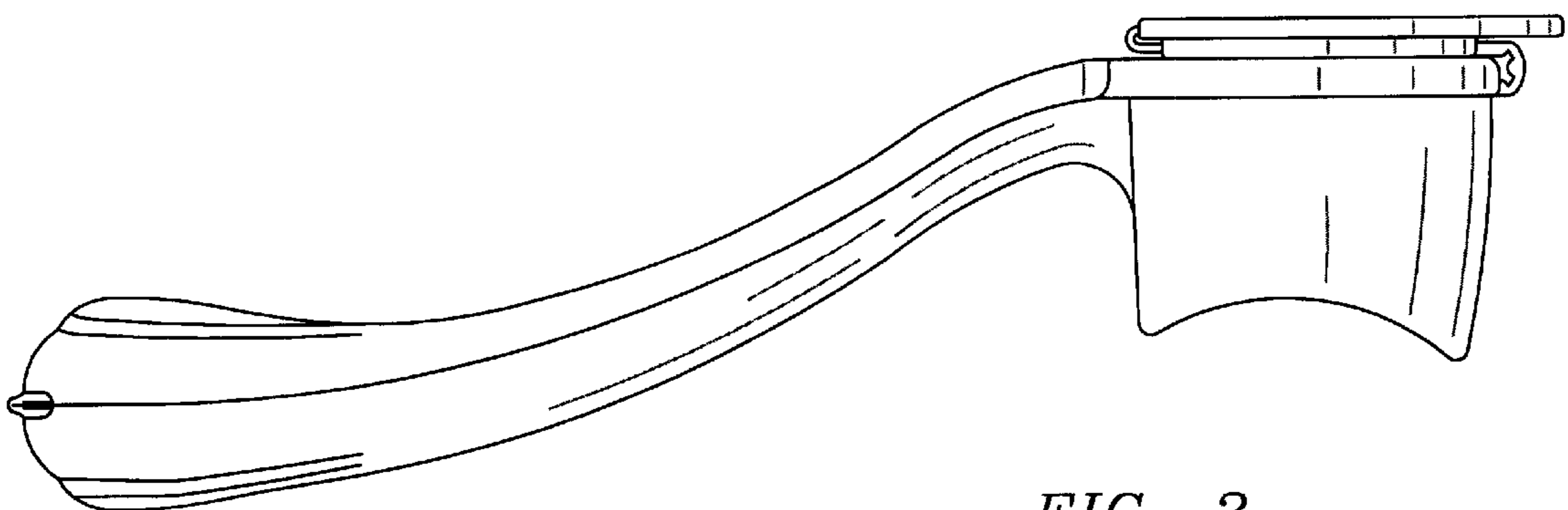


FIG. 3

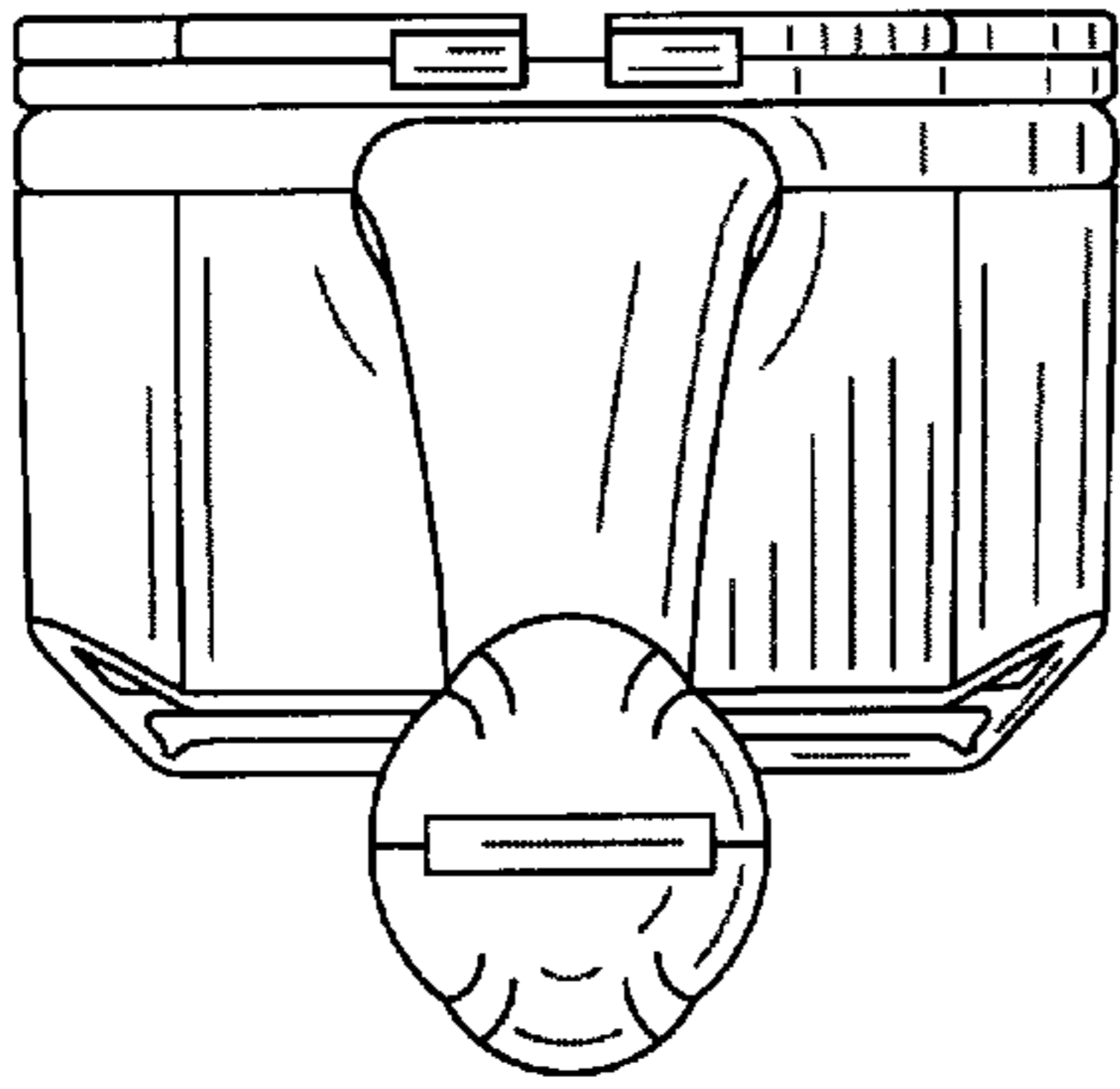


FIG. 4

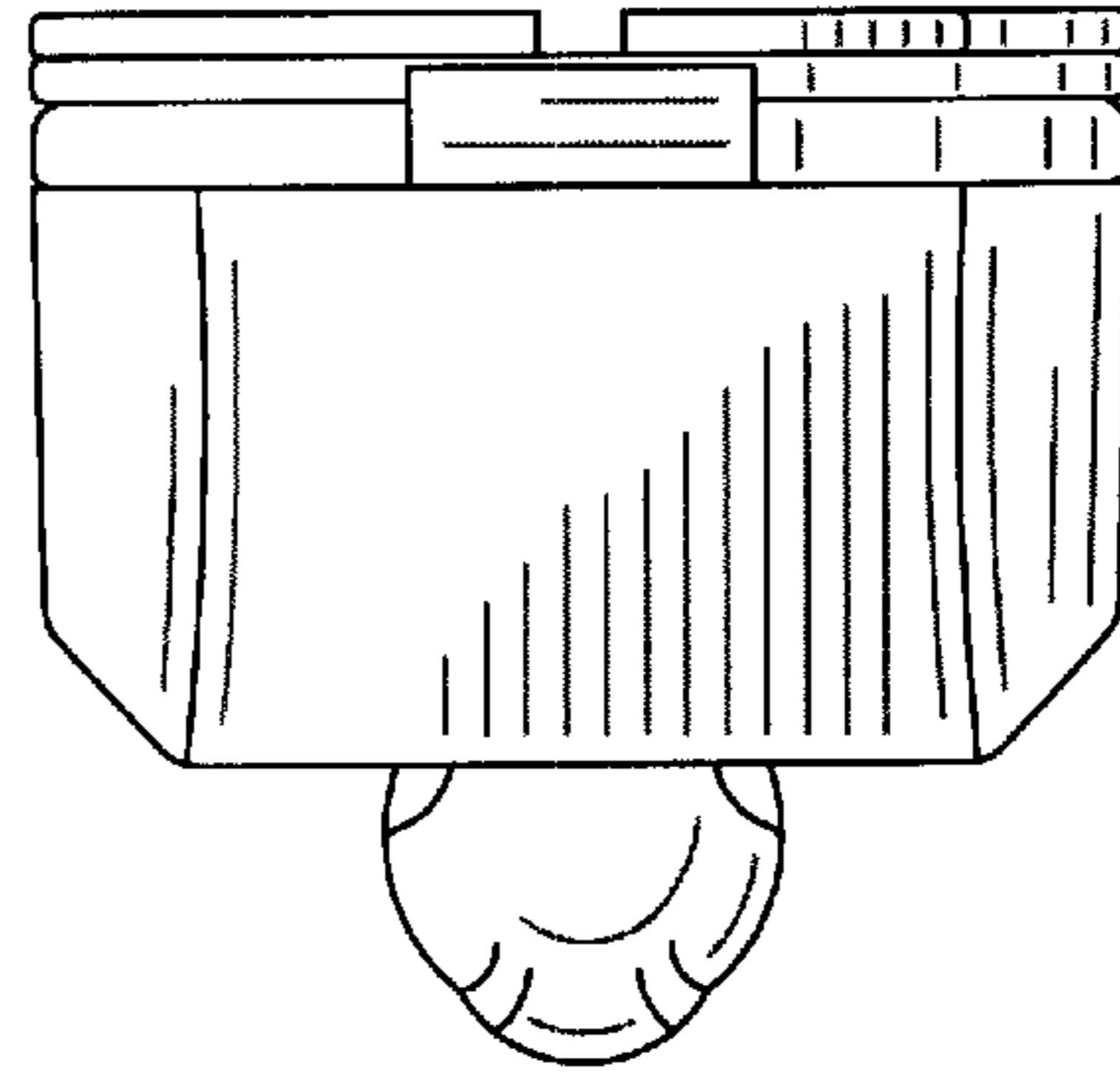


FIG. 5

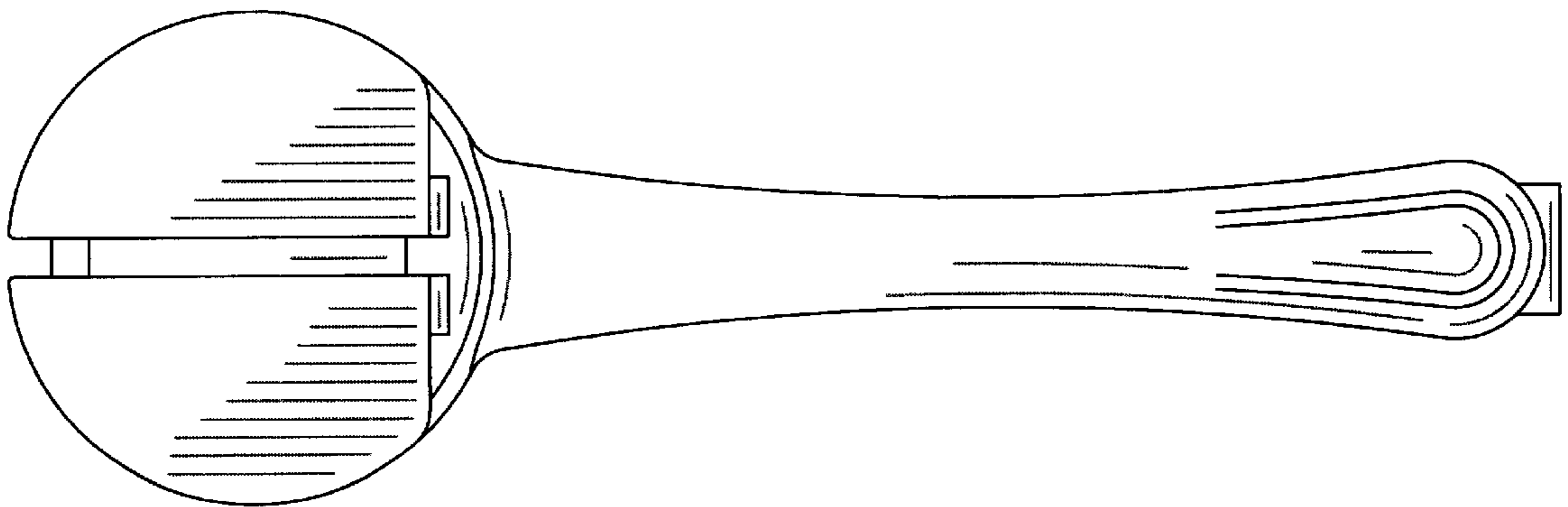


FIG. 6

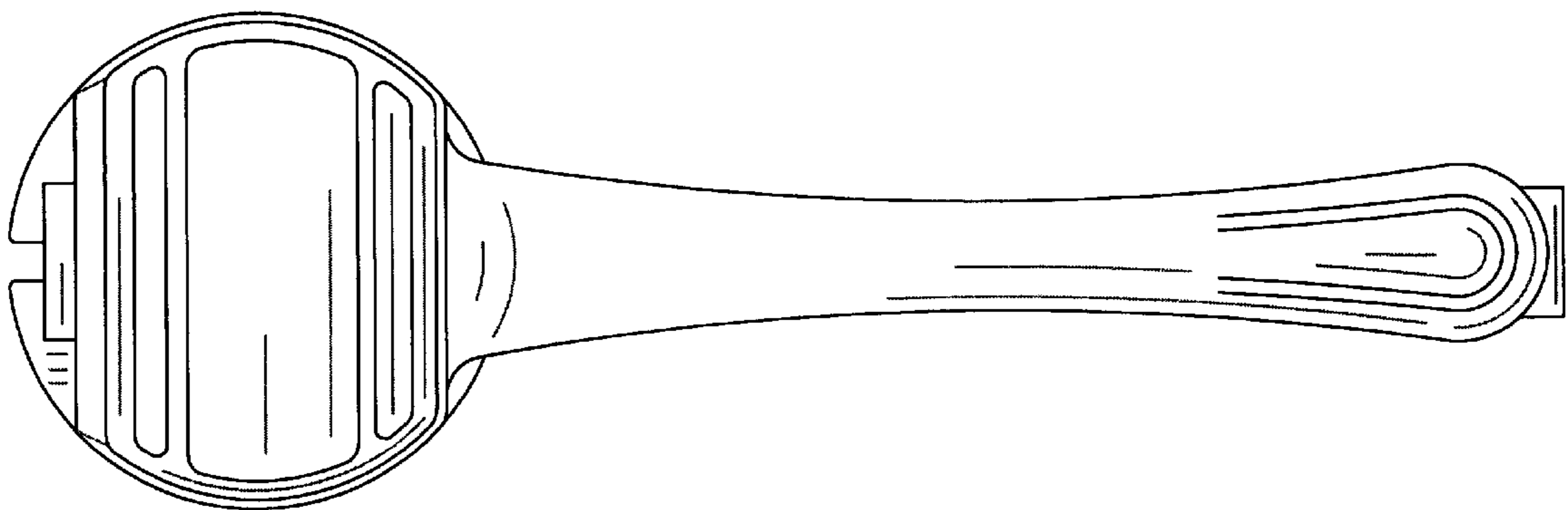


FIG. 7