



US00D478479S

(12) **United States Design Patent**
Garvin

(10) **Patent No.:** **US D478,479 S**

(45) **Date of Patent:** **** Aug. 19, 2003**

(54) **CUPHOLDER**

(75) **Inventor:** **Randy Garvin**, Wagoner, OK (US)

(73) **Assignee:** **Unarco Industries, Inc.**, Wagoner, OK (US)

(**) **Term:** **14 Years**

(21) **Appl. No.:** **29/166,180**

(22) **Filed:** **Aug. 22, 2002**

(51) **LOC (7) Cl.** **07-06**

(52) **U.S. Cl.** **D7/620**

(58) **Field of Search** D7/619, 620, 624;
D12/411, 419, 420; D34/27; 211/71.01,
74, 75; 248/309.1, 311.2, 312.1, 313, 311.3;
224/274, 409, 411, 926; 280/33.992, 33.993;
297/188.04, 188.06

(56) **References Cited**

U.S. PATENT DOCUMENTS

D377,886 S * 2/1997 Colton D7/620
5,695,162 A 12/1997 DiCastro

5,709,429 A 1/1998 Bergin
D398,127 S 9/1998 Bergin et al.
D425,012 S 5/2000 Bergin
6,231,058 B1 5/2001 Kimbrough et al.

* cited by examiner

Primary Examiner—Terry A. Wallace

(74) *Attorney, Agent, or Firm*—Wood, Phillips, Katz, Clark & Mortimer

(57) **CLAIM**

The ornamental design for a cupholder, as shown and described.

DESCRIPTION

FIG. 1 is a perspective view of a cupholder showing my new design, as seen from an upper, side vantage;
FIG. 2 is a front elevation thereof;
FIG. 3 is a side elevation thereof, as seen from one side, the other side being a mirror image of the side seen in FIG. 3;
FIG. 4 is a rear elevation of the cupholder;
FIG. 5 is a top plan thereof; and,
FIG. 6 is a bottom plan thereof.

1 Claim, 1 Drawing Sheet

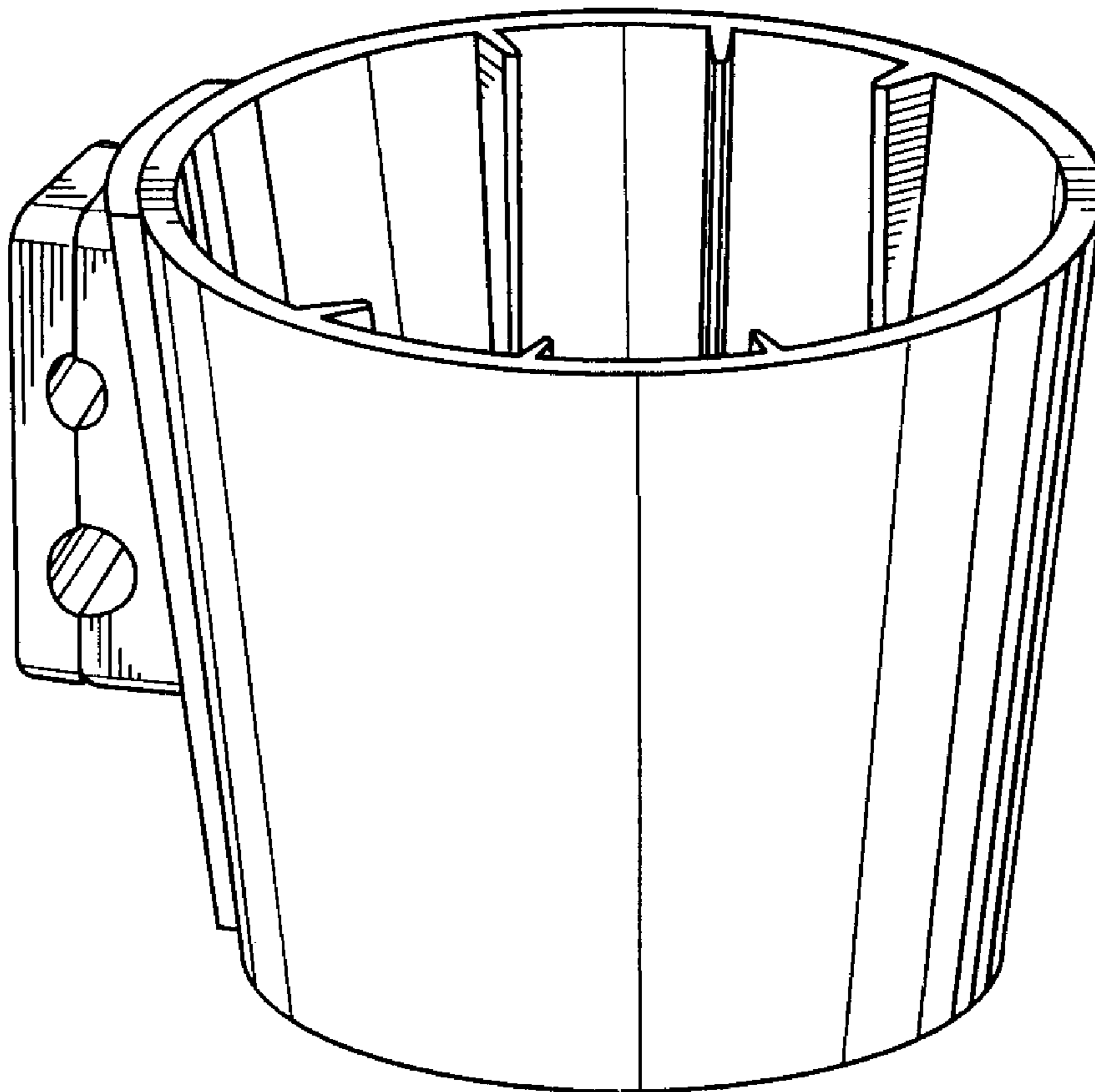


Fig. 1

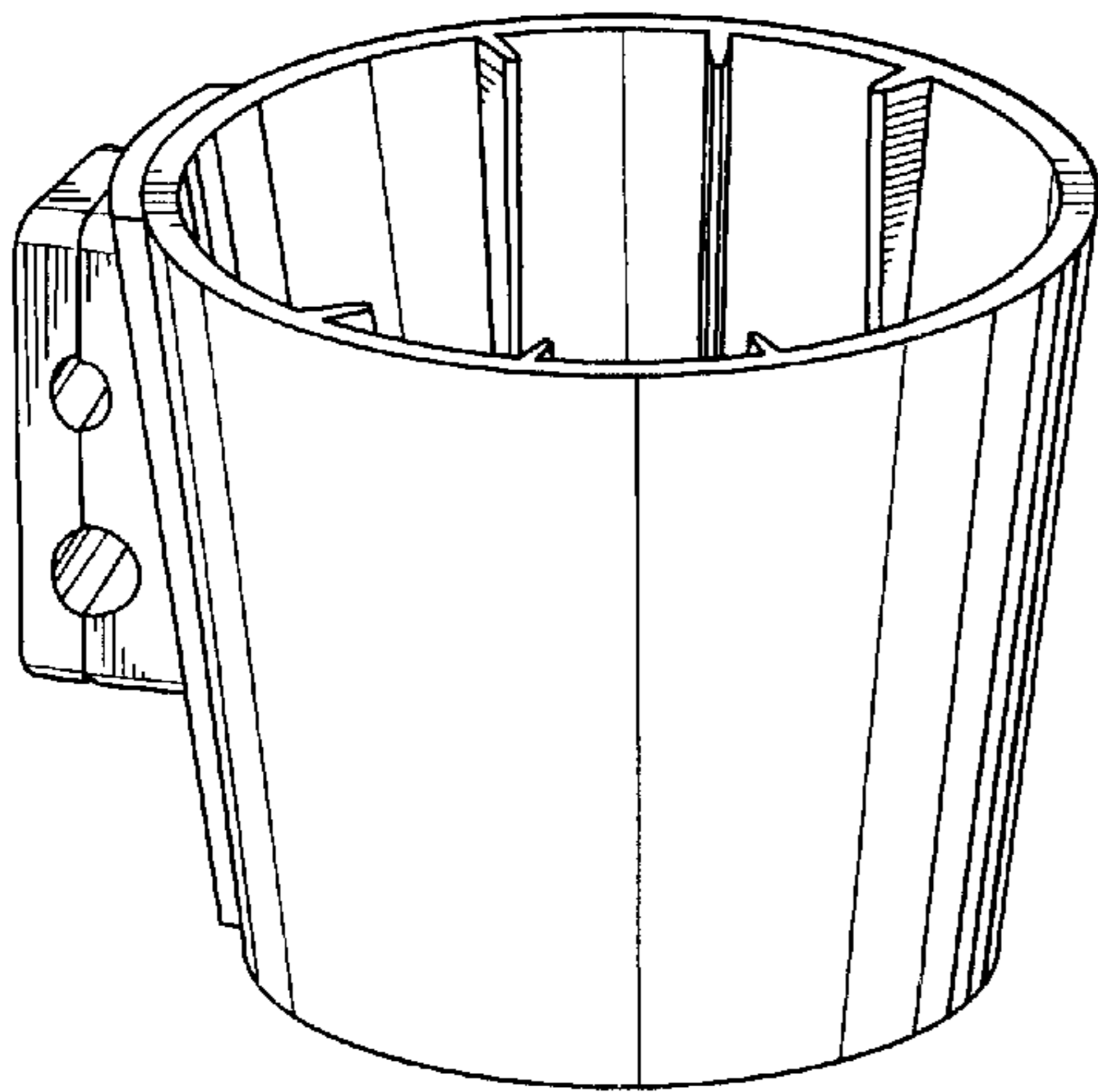


Fig. 2

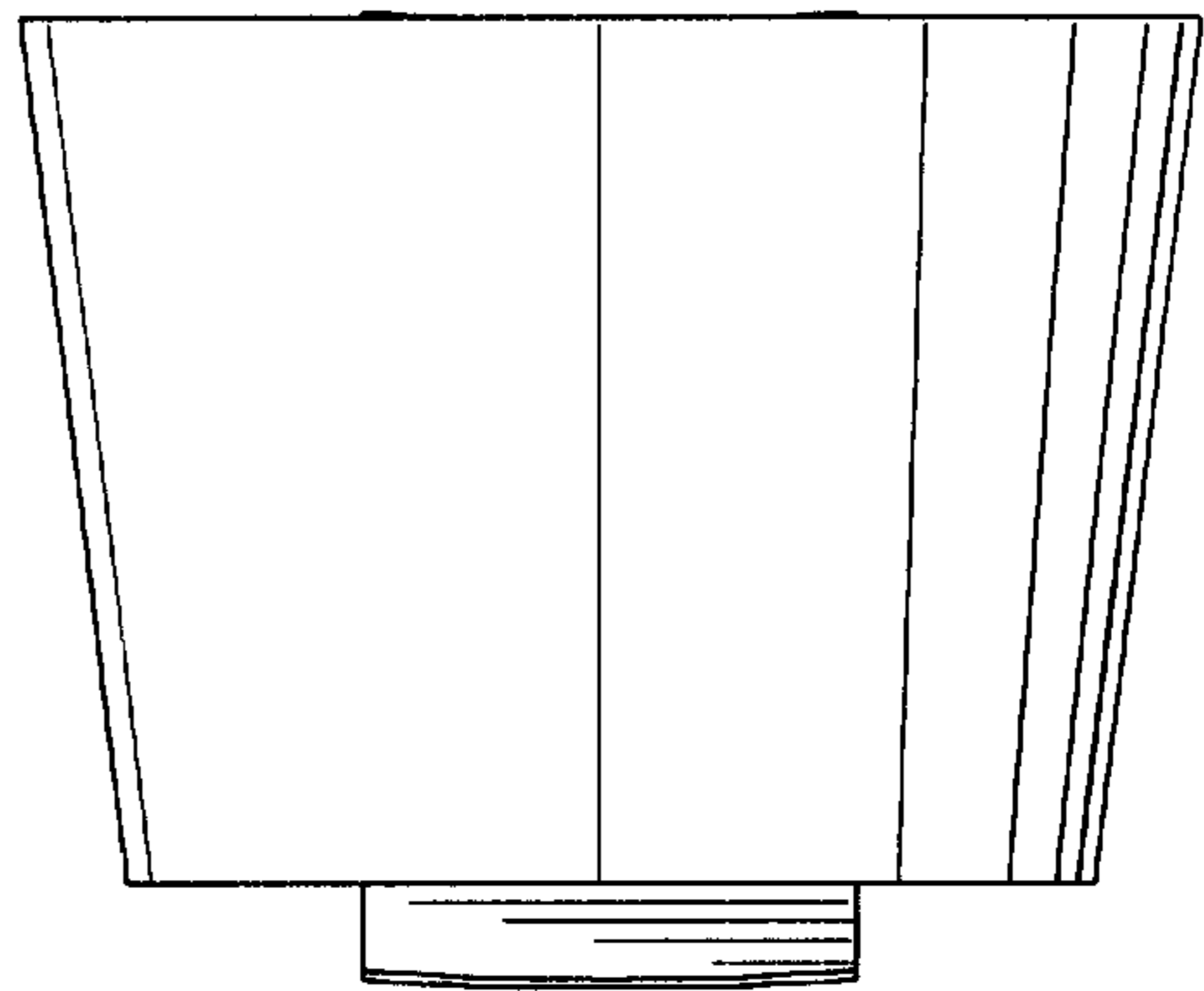


Fig. 3

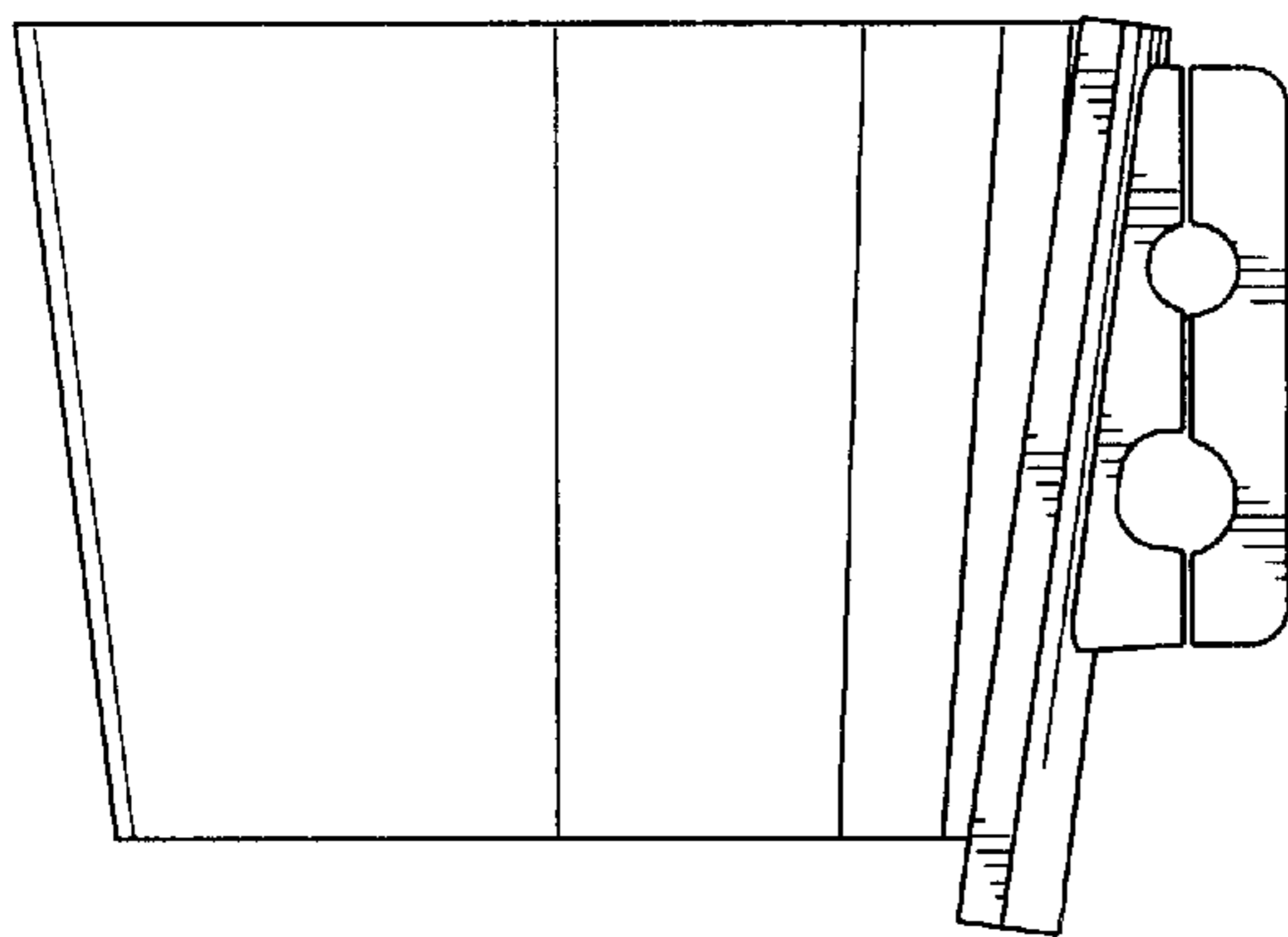


Fig. 4

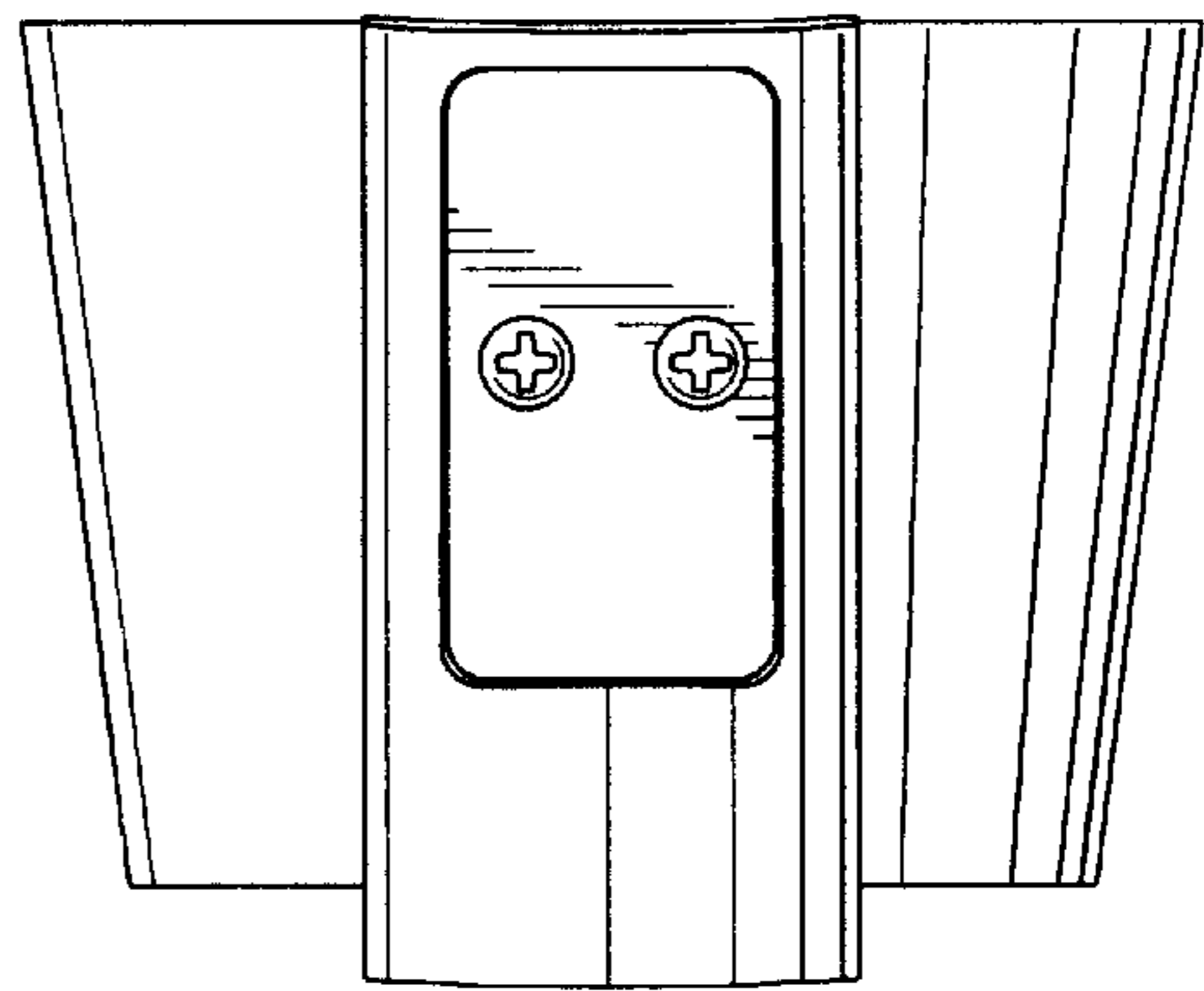


Fig. 5

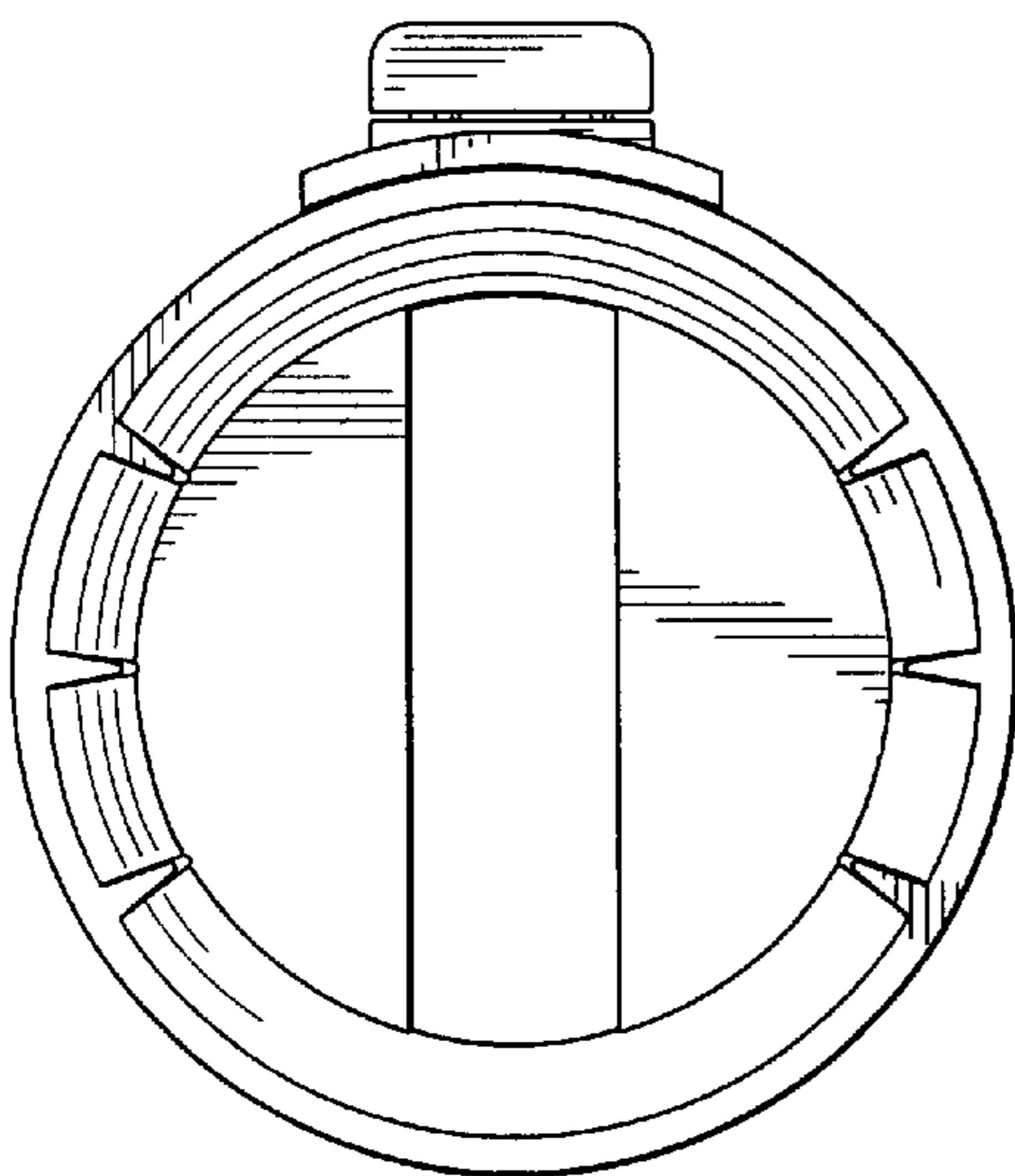


Fig. 6

