



US00D478478S

(12) **United States Design Patent**
Soohee et al.

(10) **Patent No.:** **US D478,478 S**

(45) **Date of Patent:** **** Aug. 19, 2003**

(54) **FOOD BOWL**

(76) Inventors: **David L. Soohoo**, 2122 Gunn Rd., Carmichael, CA (US) 95608; **George R. Wong**, 3834 Rawhide Rd., Rocklin, CA (US) 95677

(**) Term: **14 Years**

(21) Appl. No.: **29/168,051**

(22) Filed: **Sep. 24, 2002**

(51) **LOC (7) Cl.** **07-01**

(52) **U.S. Cl.** **D7/586; D11/152**

(58) **Field of Search** D7/584, 585, 586, D7/587, 588, 682, 372, 679; D11/152, 153, 143; 220/574, 575

(56) **References Cited**

U.S. PATENT DOCUMENTS

D20,335 S	*	11/1890	Whilldin	D11/152
D235,611 S	*	7/1975	Gulotta	D7/584
D258,338 S	*	2/1981	Gersin	D7/584
D276,114 S	*	10/1984	Conti et al.	D7/584
D345,716 S	*	4/1994	Kwiatkowski	D11/152
6,135,307 A	*	10/2000	Fahy	220/574
6,330,956 B1	*	12/2001	Willinger	220/574

FOREIGN PATENT DOCUMENTS

GB 2103417 * 7/2001

* cited by examiner

Primary Examiner—Charles A. Rademaker
(74) *Attorney, Agent, or Firm*—R. Michael West

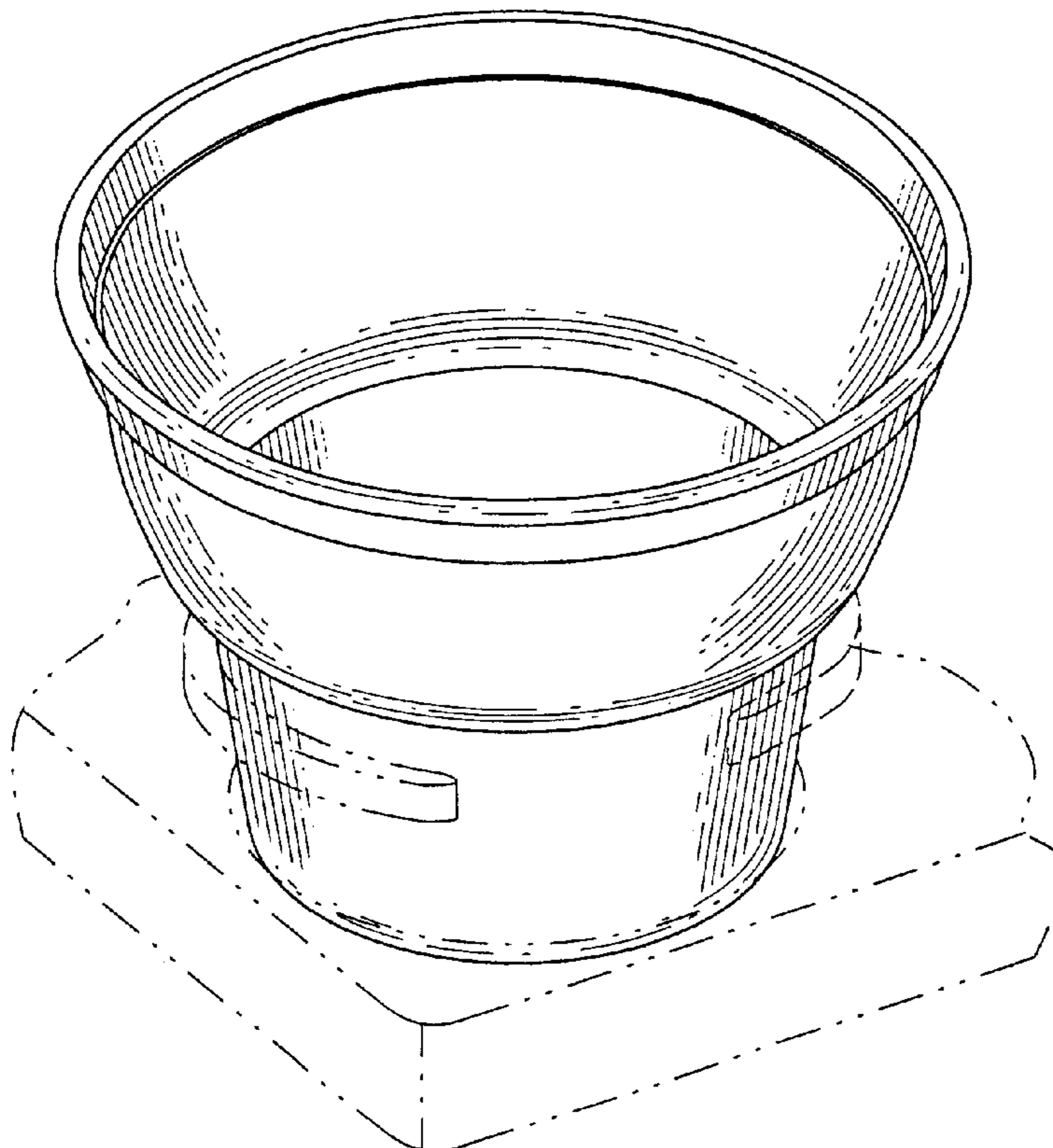
(57) **CLAIM**

The ornamental design for a food bowl, as shown and described.

DESCRIPTION

FIG. 1 is a perspective view of a first embodiment of a food bowl, showing our new design, the broken line fragmentary representation of a car cup holder being shown solely for illustrative purposes, forming no part of the claimed design; FIG. 2 is a side elevational view, thereof; FIG. 3 is a top plan view, thereof; and, FIG. 4 is a bottom plan view, thereof; FIG. 5 is a perspective view of a second embodiment of our food bowl design; FIG. 6 is a side elevational view, thereof; FIG. 7 is a top plan view, thereof; and, FIG. 8 is a bottom plan view, thereof; FIG. 9 is a perspective view of a third embodiment of our food bowl design; FIG. 10 is a side elevational view, thereof; FIG. 11 is a top plan view, thereof; and, FIG. 12 is a bottom plan view, thereof.

1 Claim, 3 Drawing Sheets



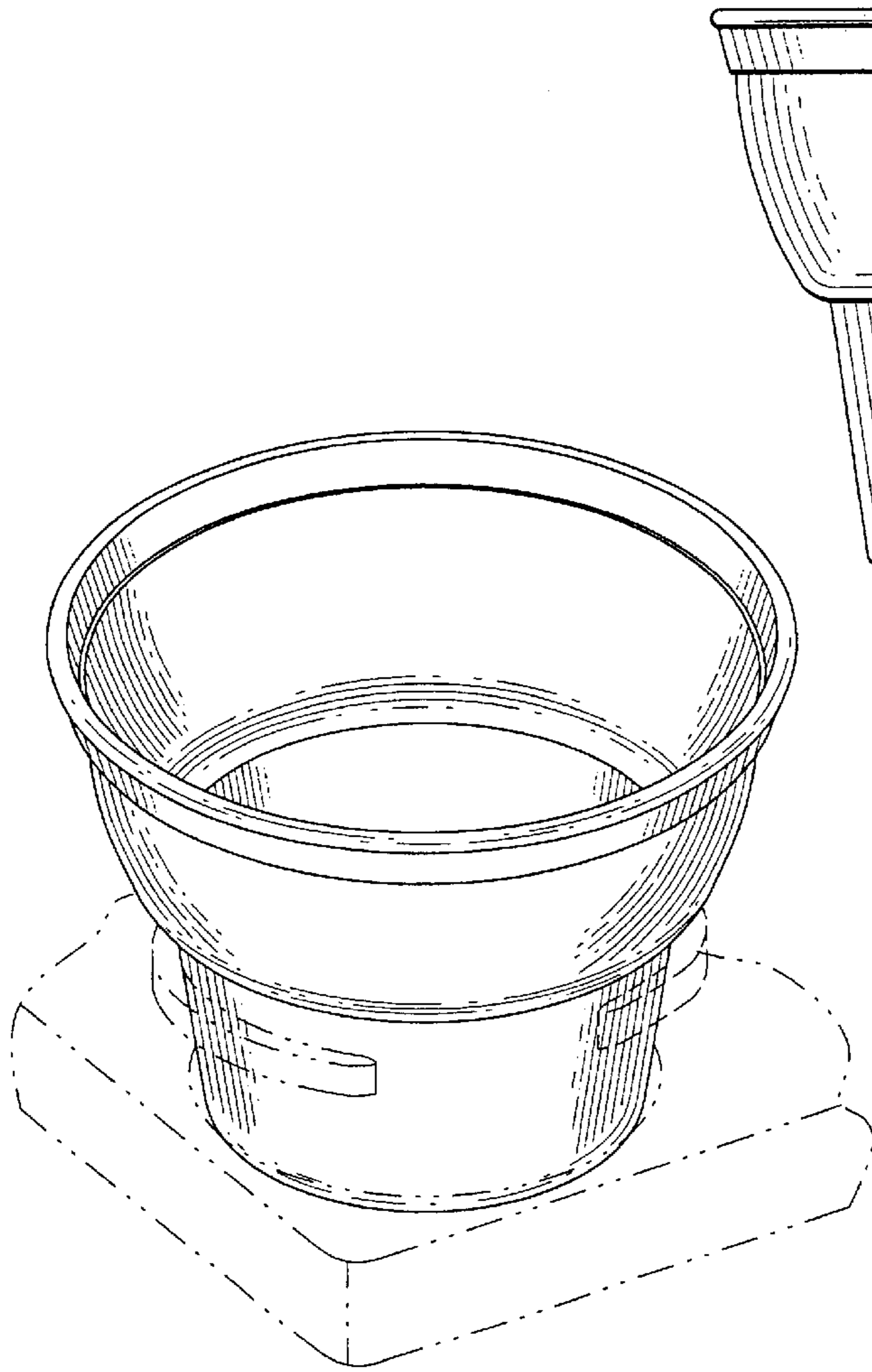


Fig. 1

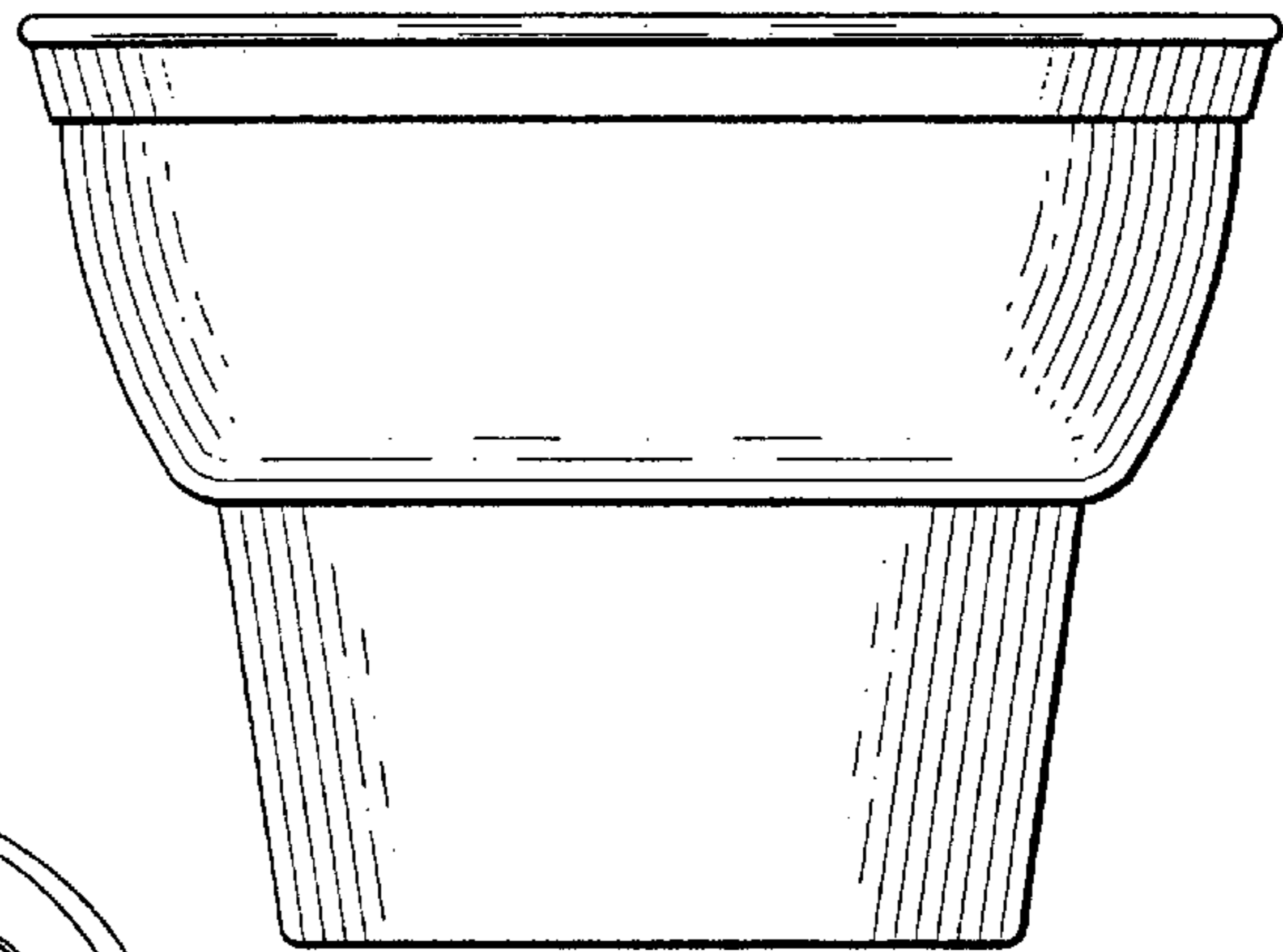


Fig. 2

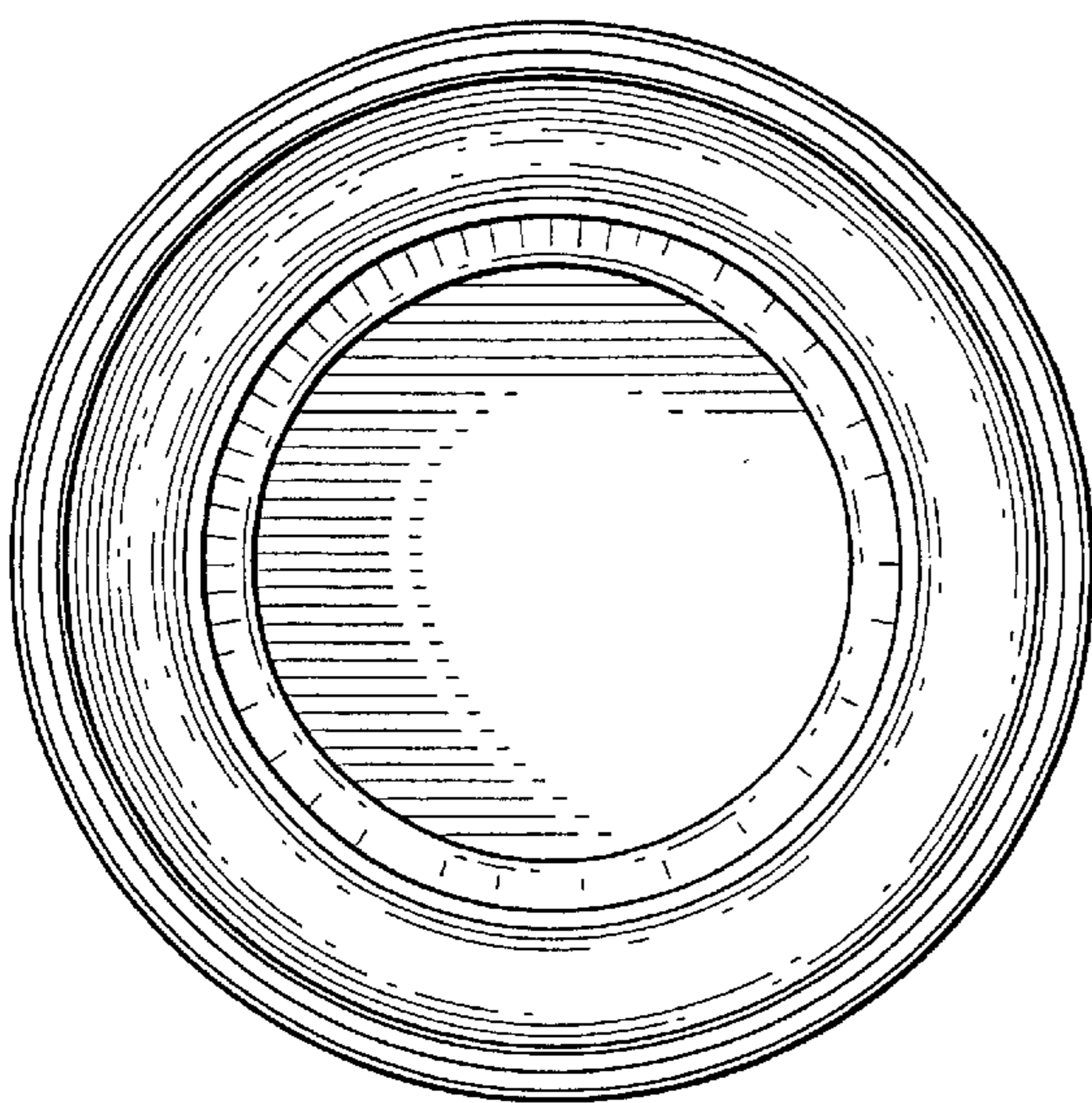


Fig. 3

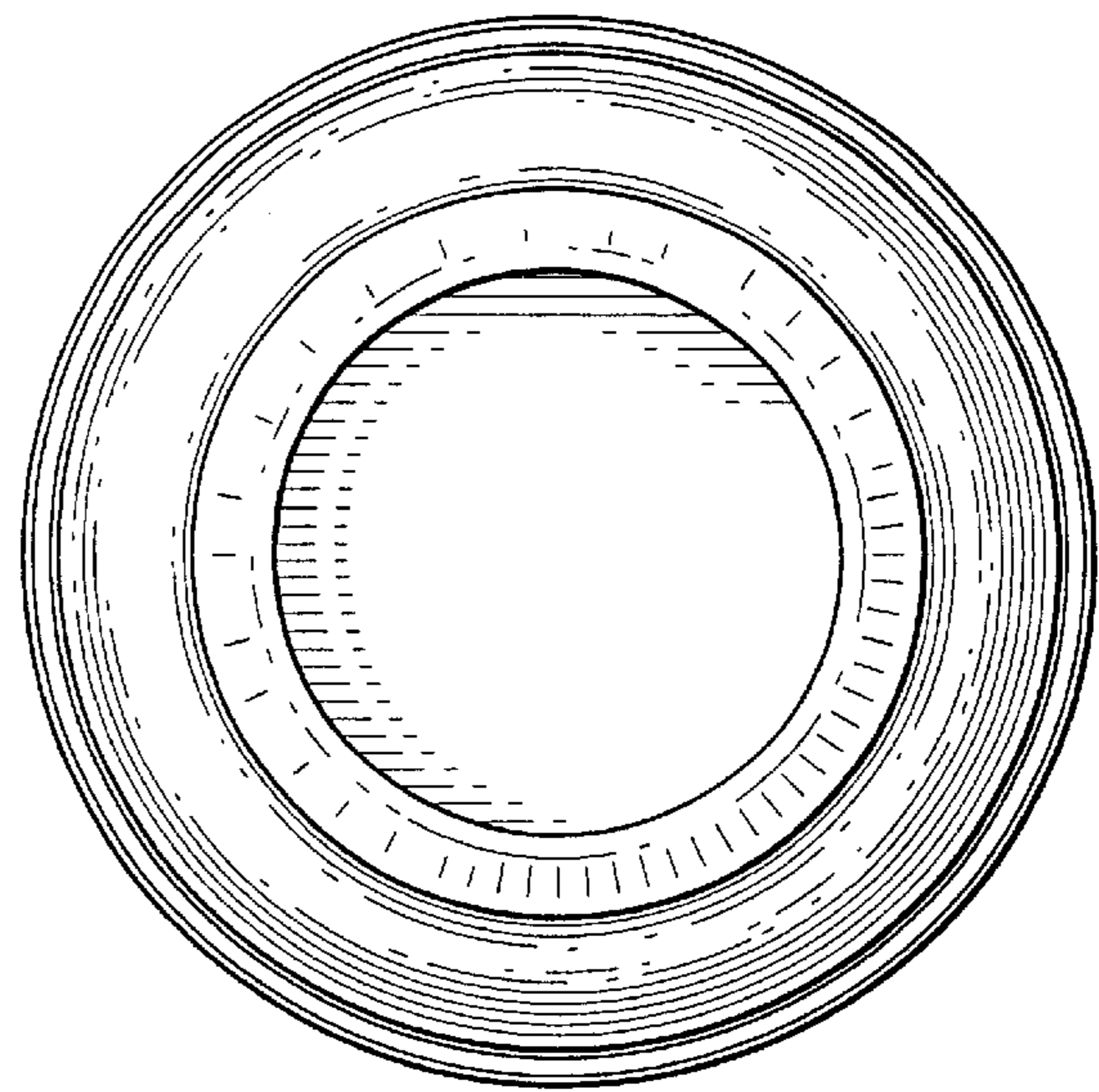


Fig. 4

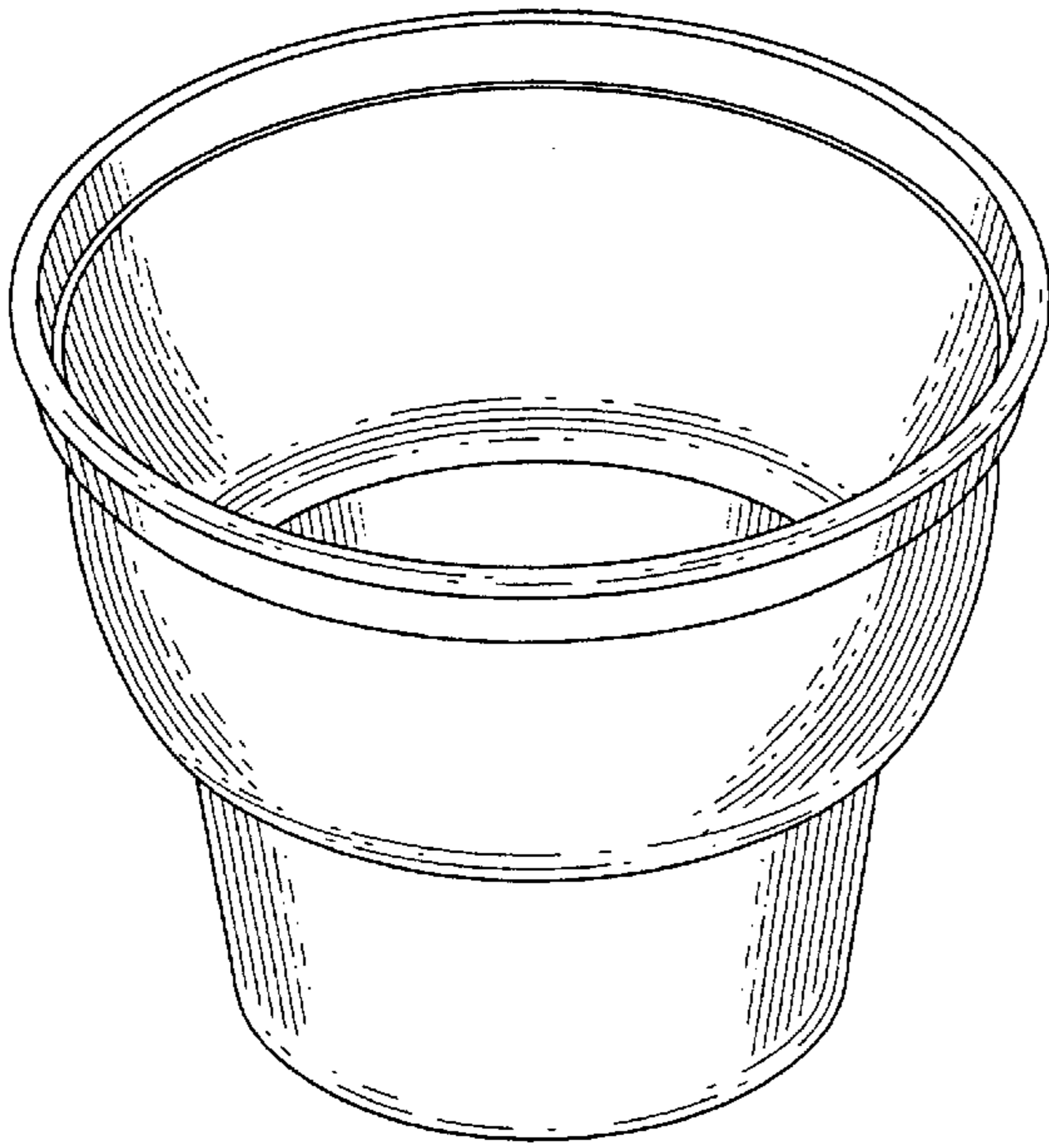


Fig. 5

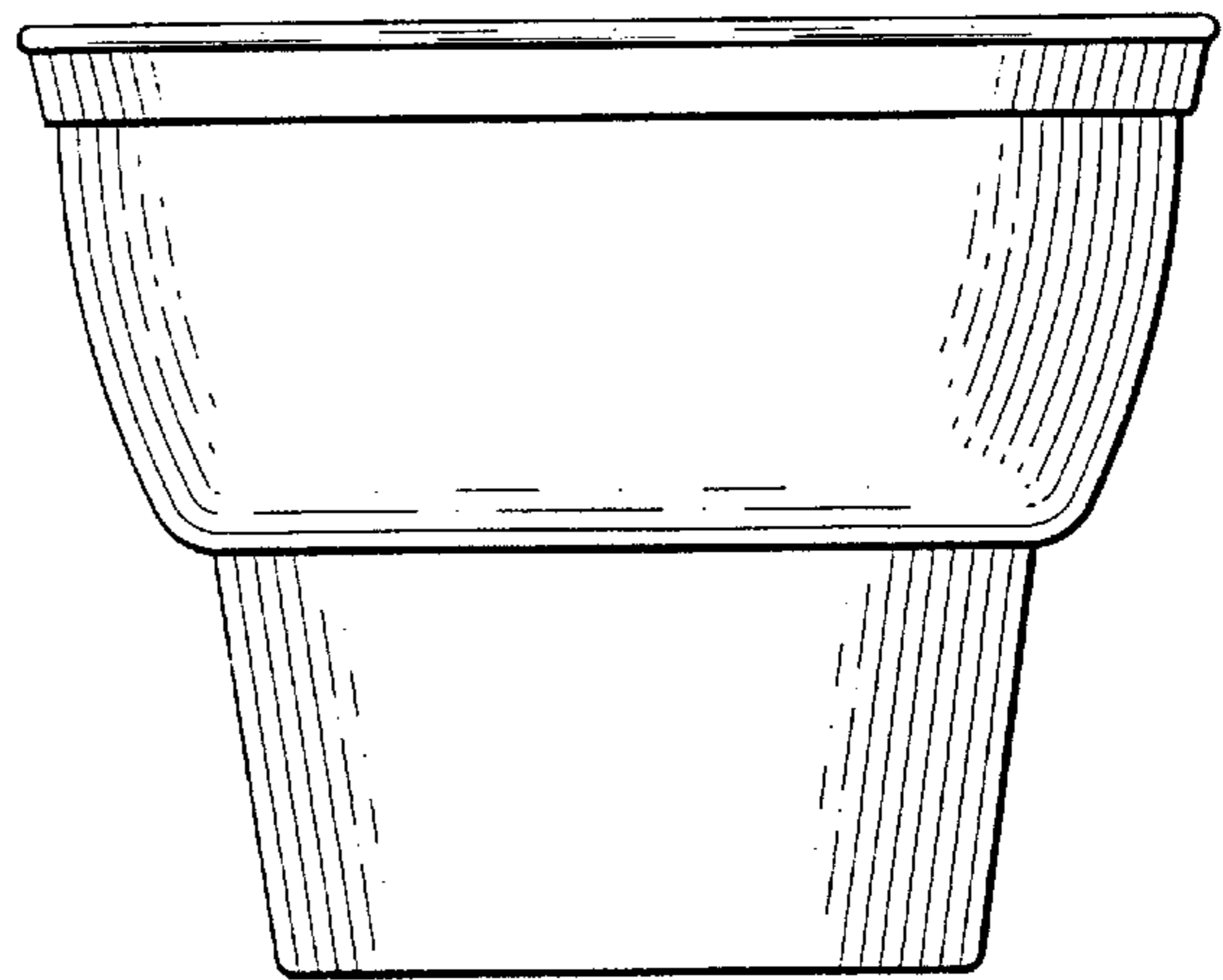


Fig. 6

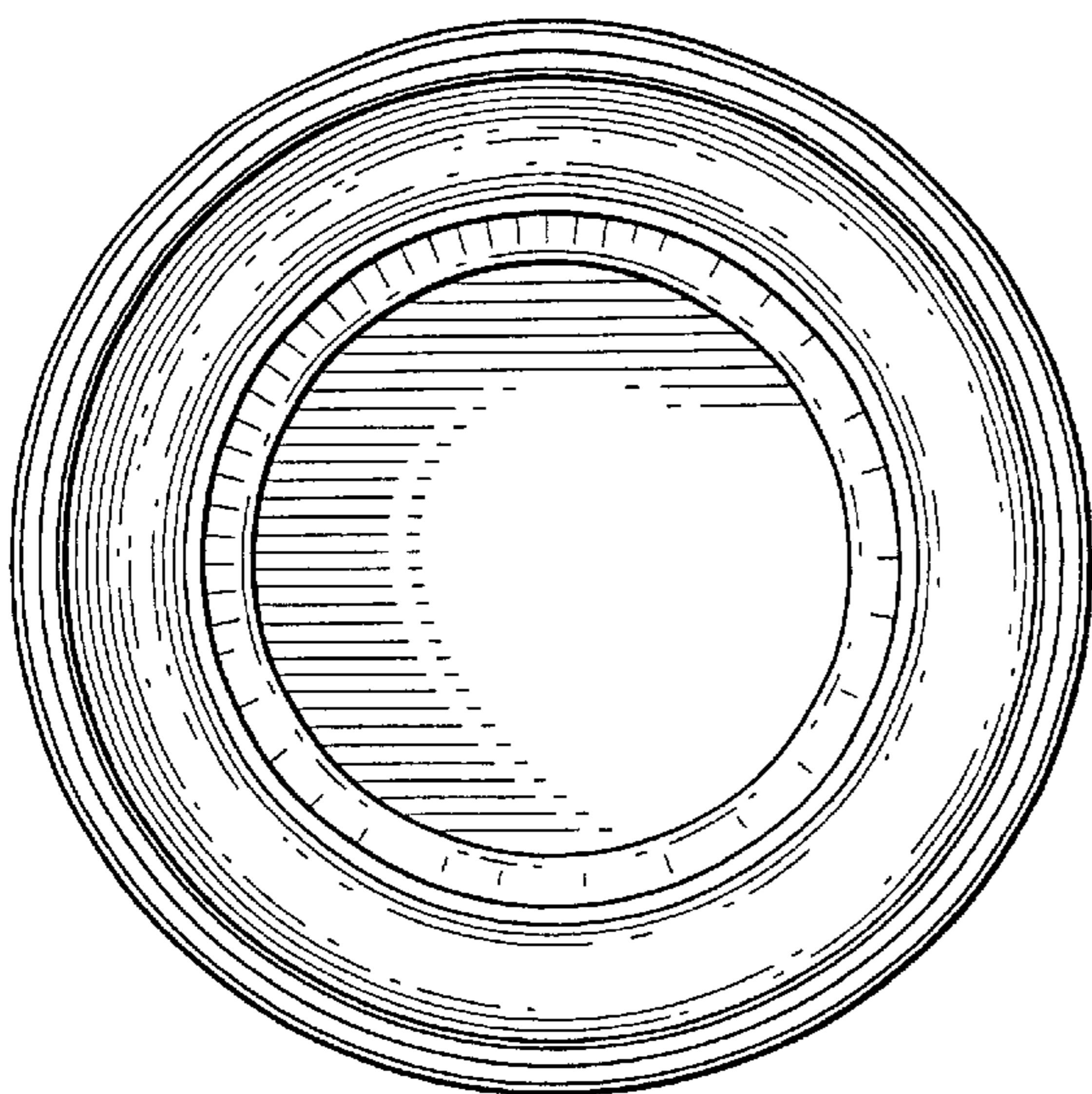


Fig. 7

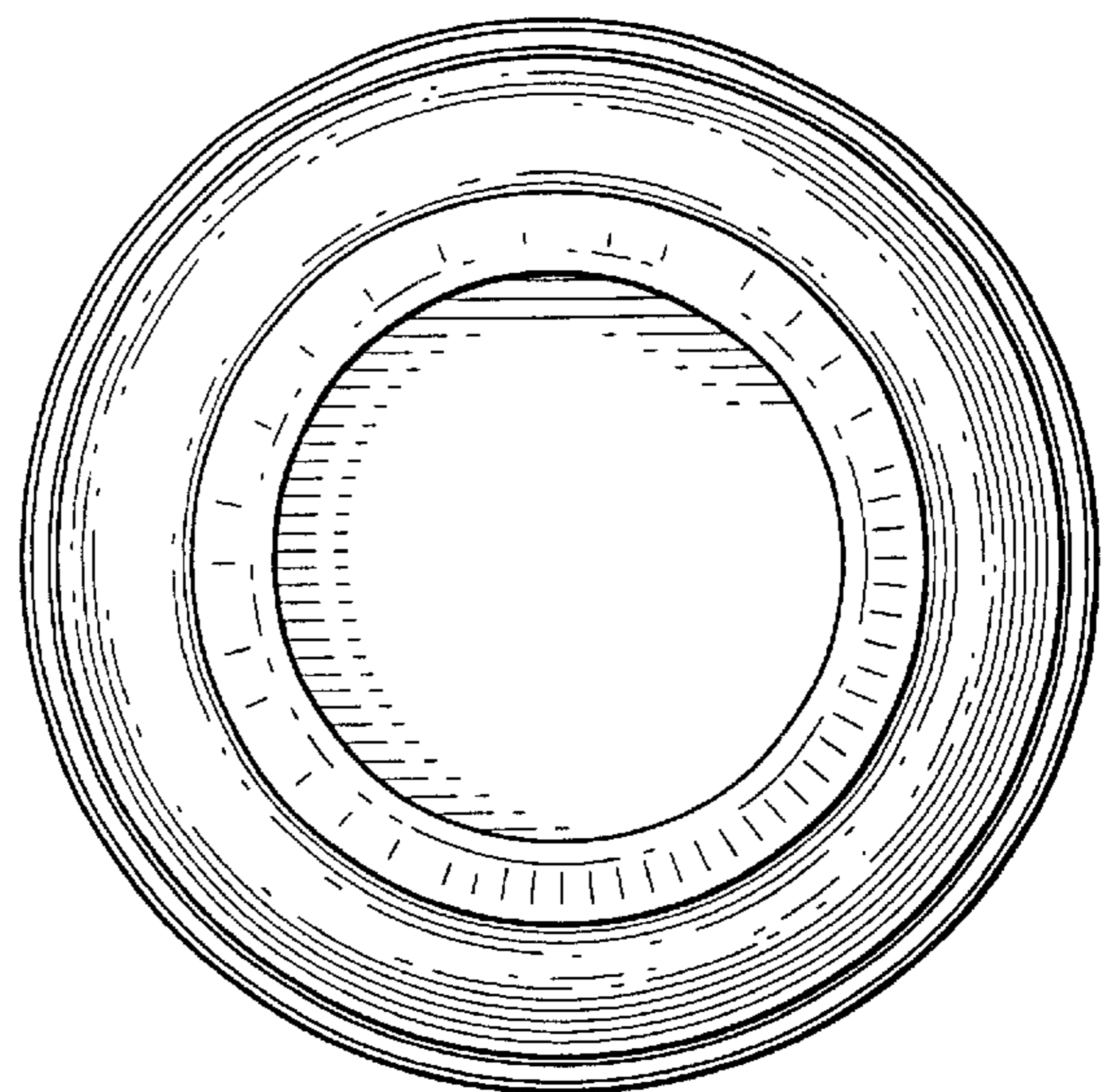


Fig. 8

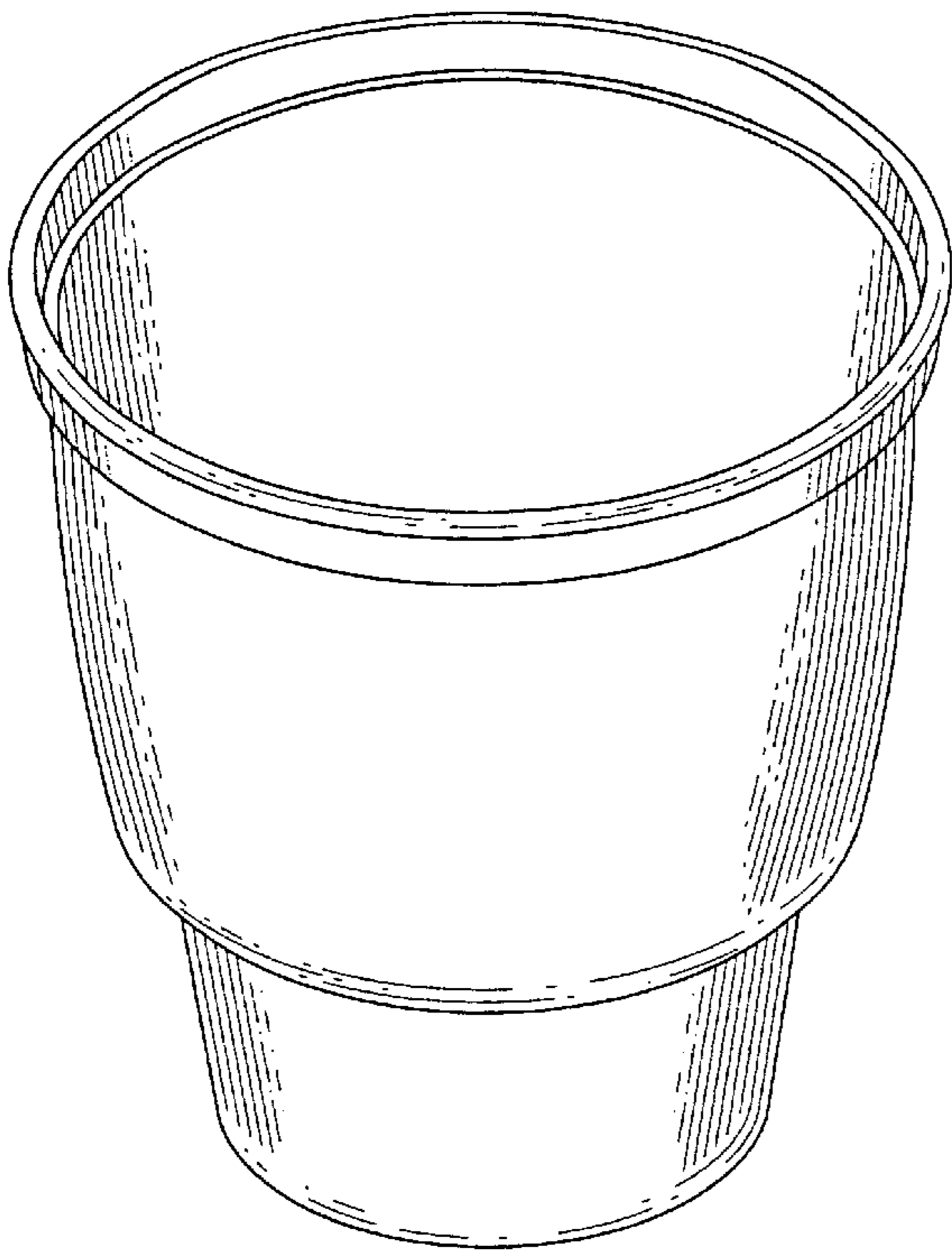


Fig. 9

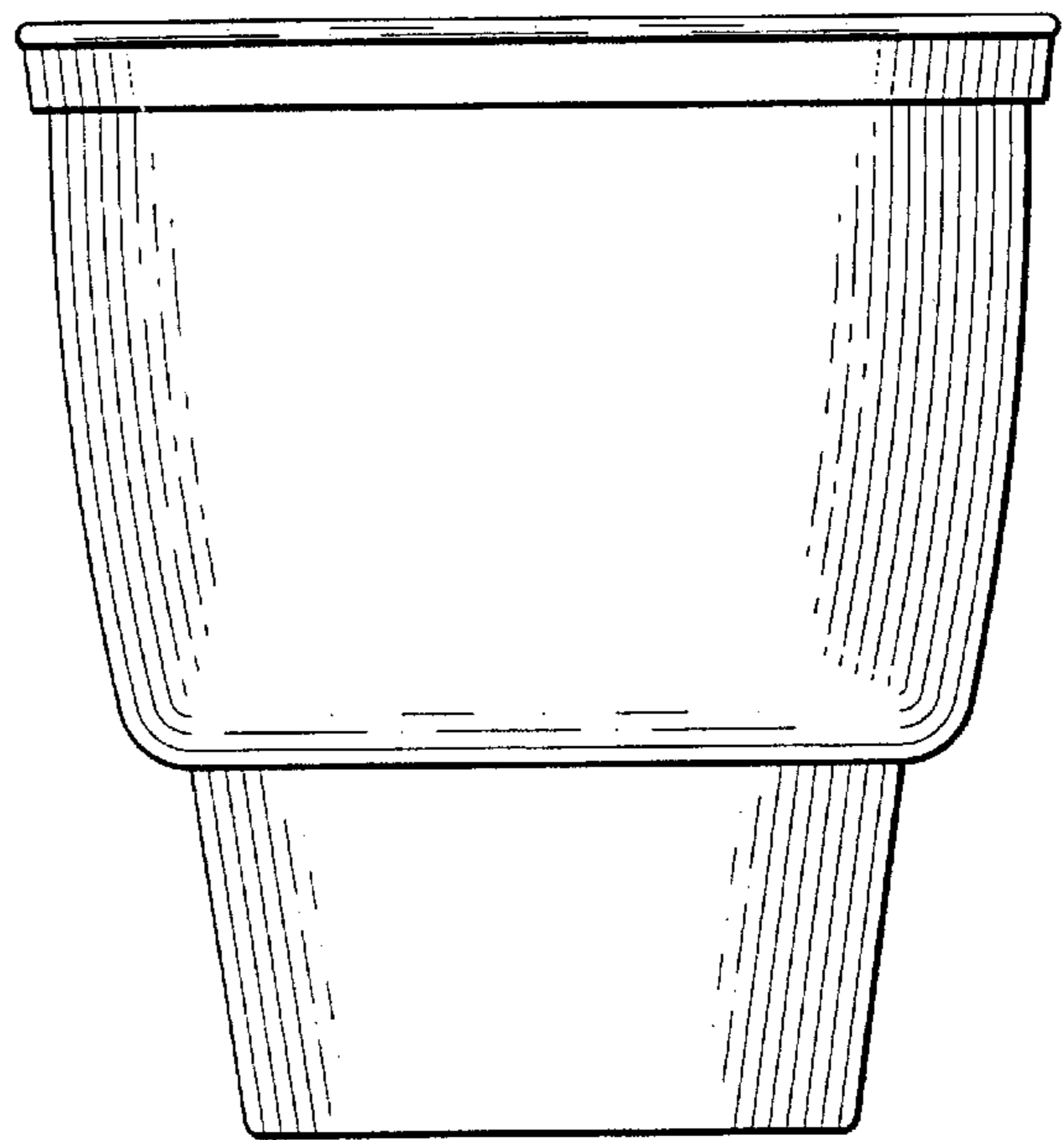


Fig. 10

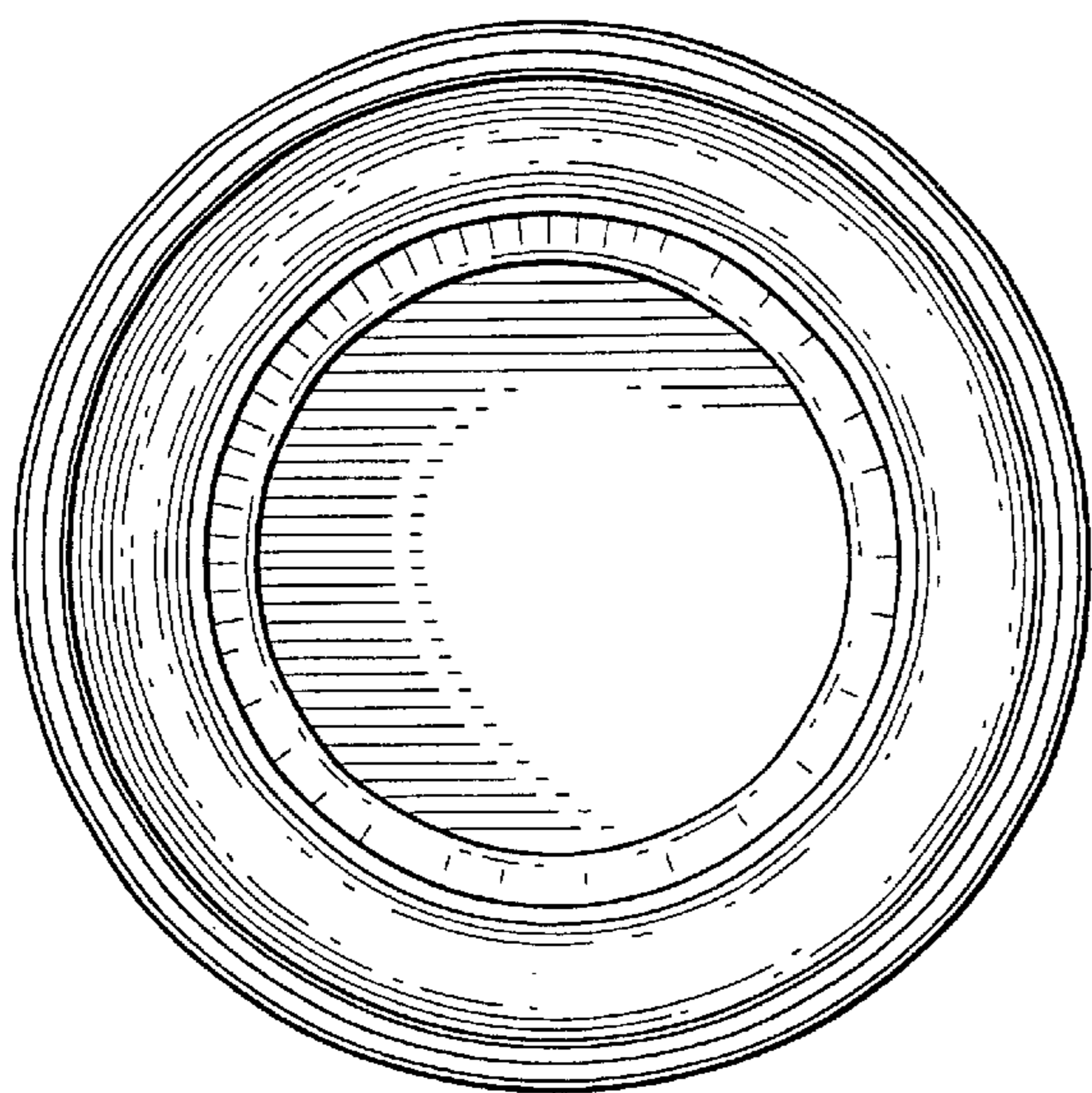


Fig. 11

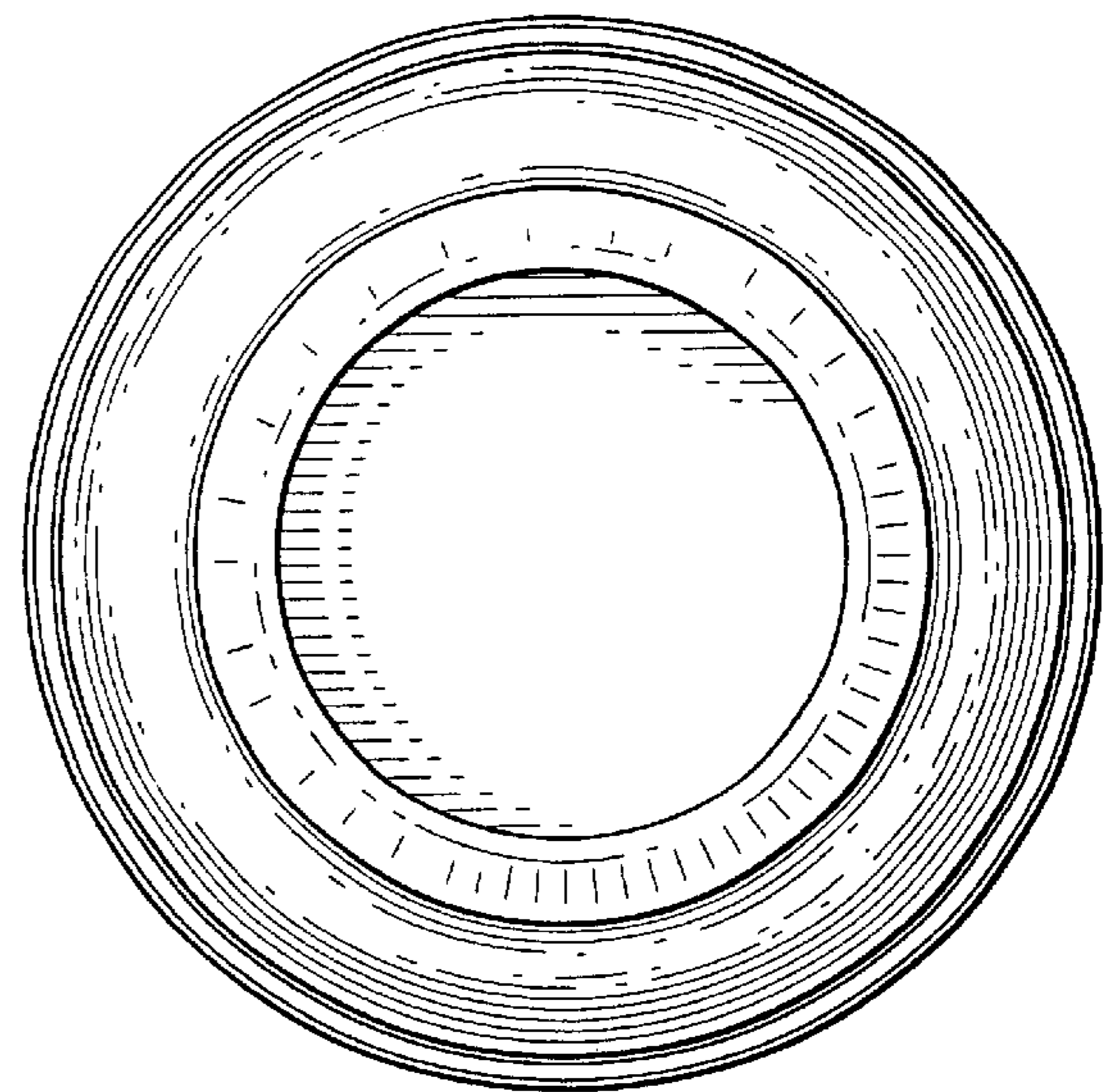


Fig. 12