



US00D478468S

(12) **United States Design Patent**
Holderfield et al.

(10) **Patent No.:** **US D478,468 S**

(45) **Date of Patent:** **** Aug. 19, 2003**

(54) **BLENDER BASE WITH ARCHED FACE**

D440,813 S * 4/2001 Gort-Barten D7/378
D445,635 S * 7/2001 Gort-Barten D7/378

(75) Inventors: **Gregory James Holderfield**, Chicago, IL (US); **Elliott Hsu**, Chicago, IL (US); **Augusto A. Picozza**, Boca Raton, FL (US)

* cited by examiner

Primary Examiner—Caron D. Veynar
(74) *Attorney, Agent, or Firm*—Lawrence J. Shurupoff

(73) Assignee: **Sunbeam Products, Inc.**, Boca Raton, FL (US)

(57) **CLAIM**

(**) Term: **14 Years**

The ornamental design for a blender base with arched face, as shown and described.

(21) Appl. No.: **29/168,971**

DESCRIPTION

(22) Filed: **Oct. 12, 2002**

(51) **LOC (7) Cl.** **31-00**

(52) **U.S. Cl.** **D7/386**

(58) **Field of Search** D7/376–380, 384, D7/386, 412; 241/33, 37.5, 101.01, 101.1, 274, 282.2, 285.2; 366/65, 96, 98, 197, 199, 205, 206, 241–247, 279, 341

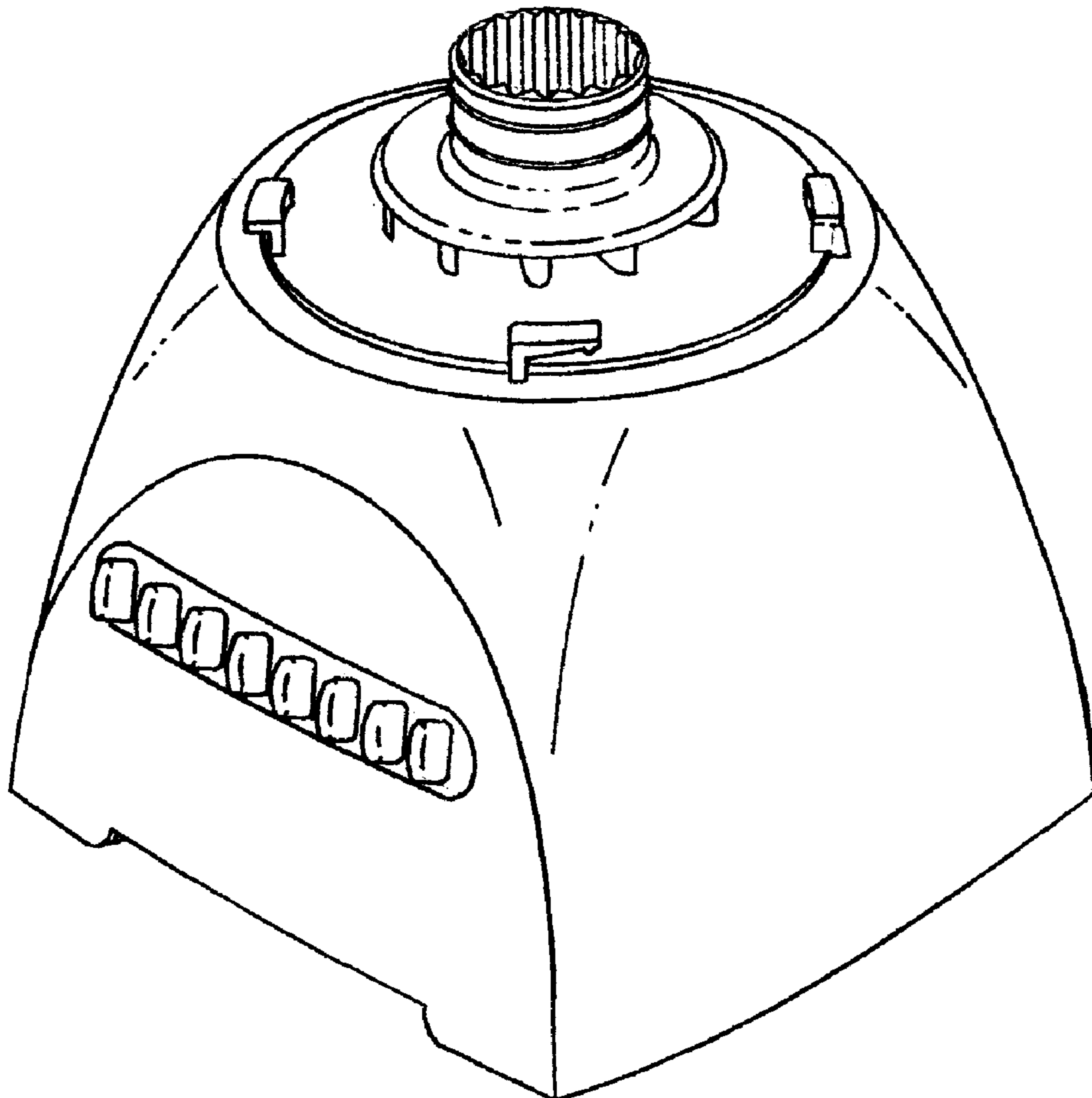
FIG. 1 is a top front right perspective view of the blender base with arched face showing the new design;
FIG. 2 is a left side elevation view thereof;
FIG. 3 is a front elevation view thereof;
FIG. 4 is a right side elevation view thereof;
FIG. 5 is a rear elevation view thereof;
FIG. 6 is a top plan view thereof; and,
FIG. 7 is a bottom plan view thereof.

(56) **References Cited**

U.S. PATENT DOCUMENTS

D228,698 S * 10/1973 Barnard, Jr. D7/378

1 Claim, 3 Drawing Sheets



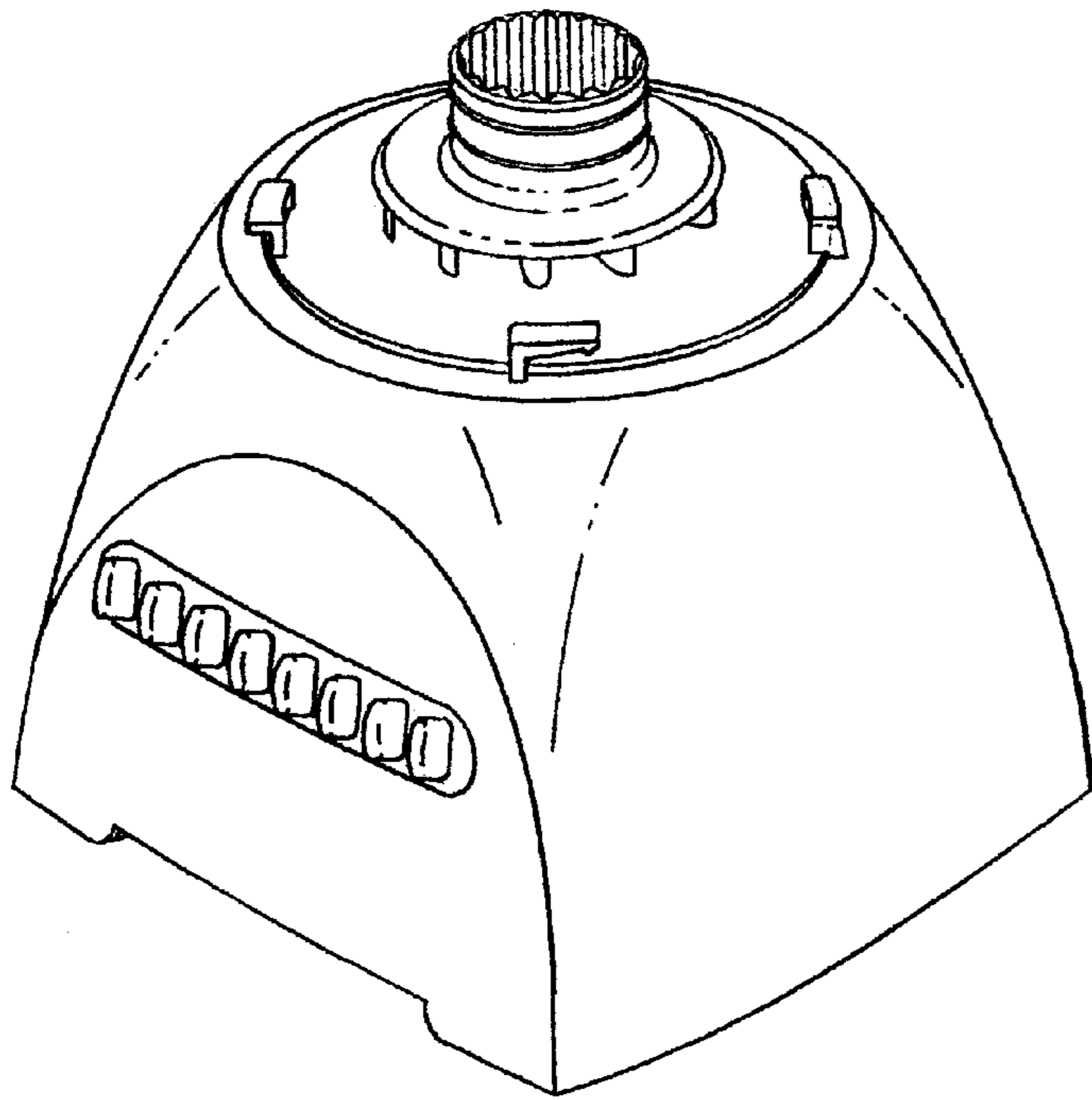


FIG 1

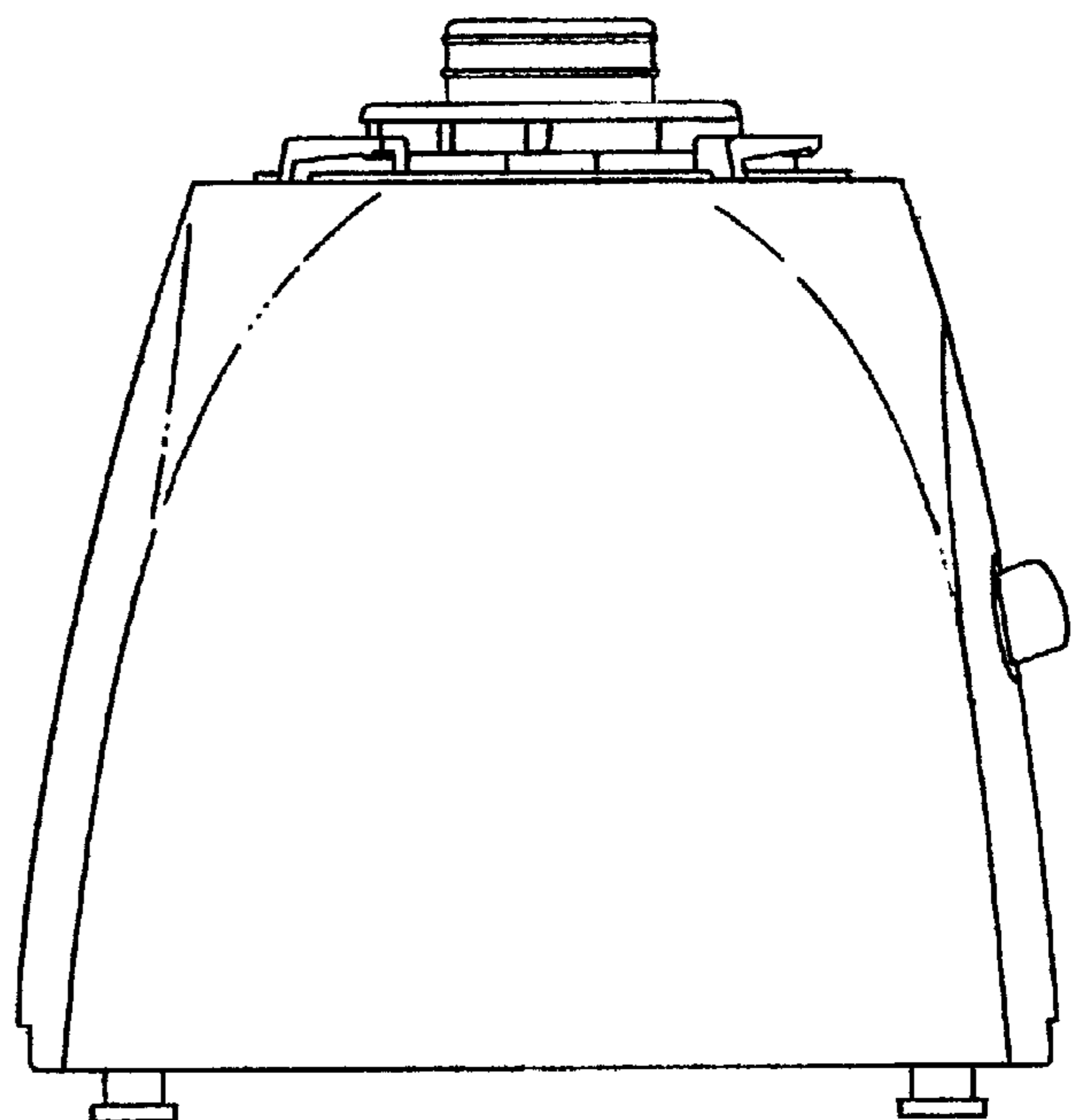


FIG 2

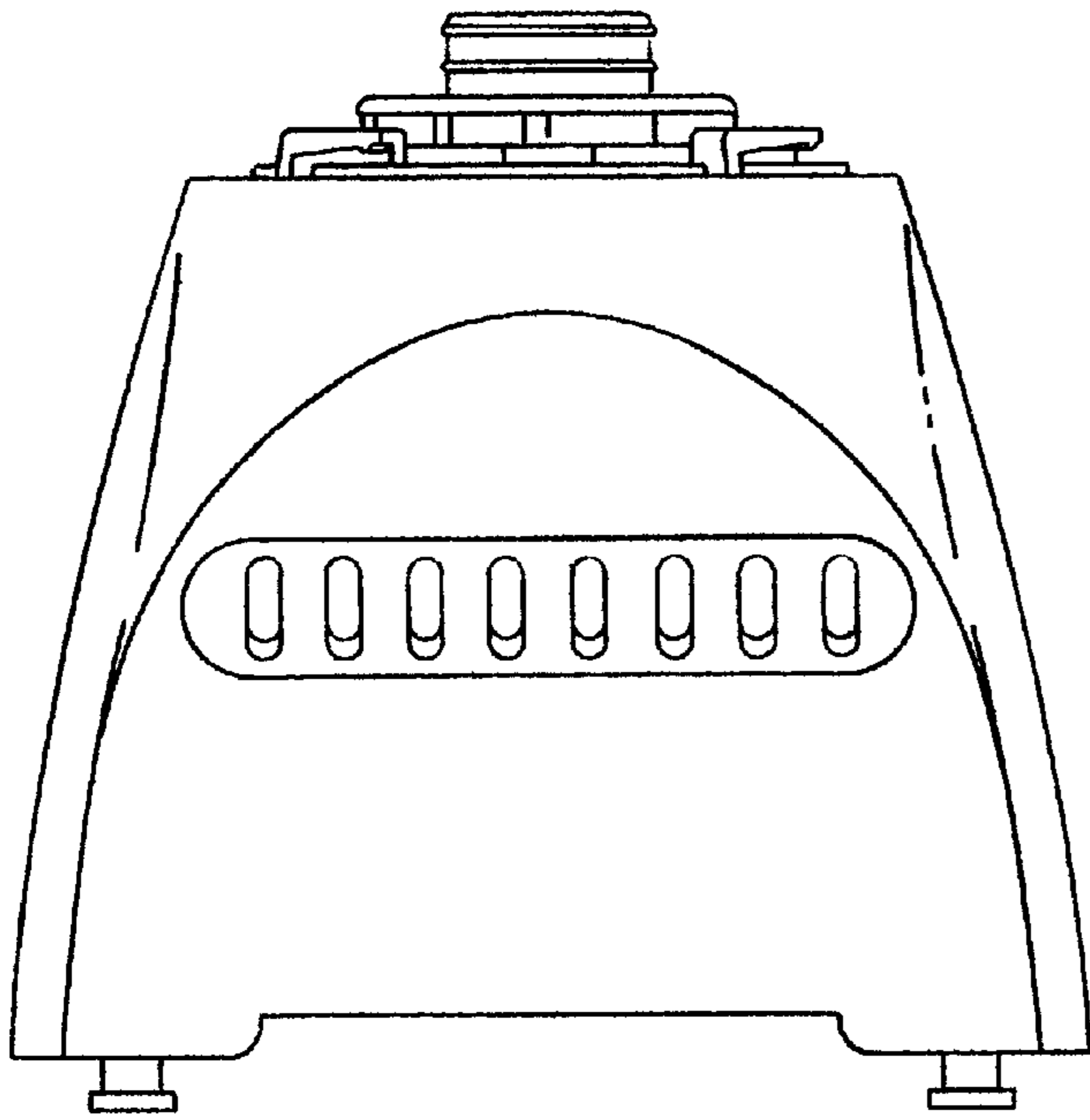


FIG 3

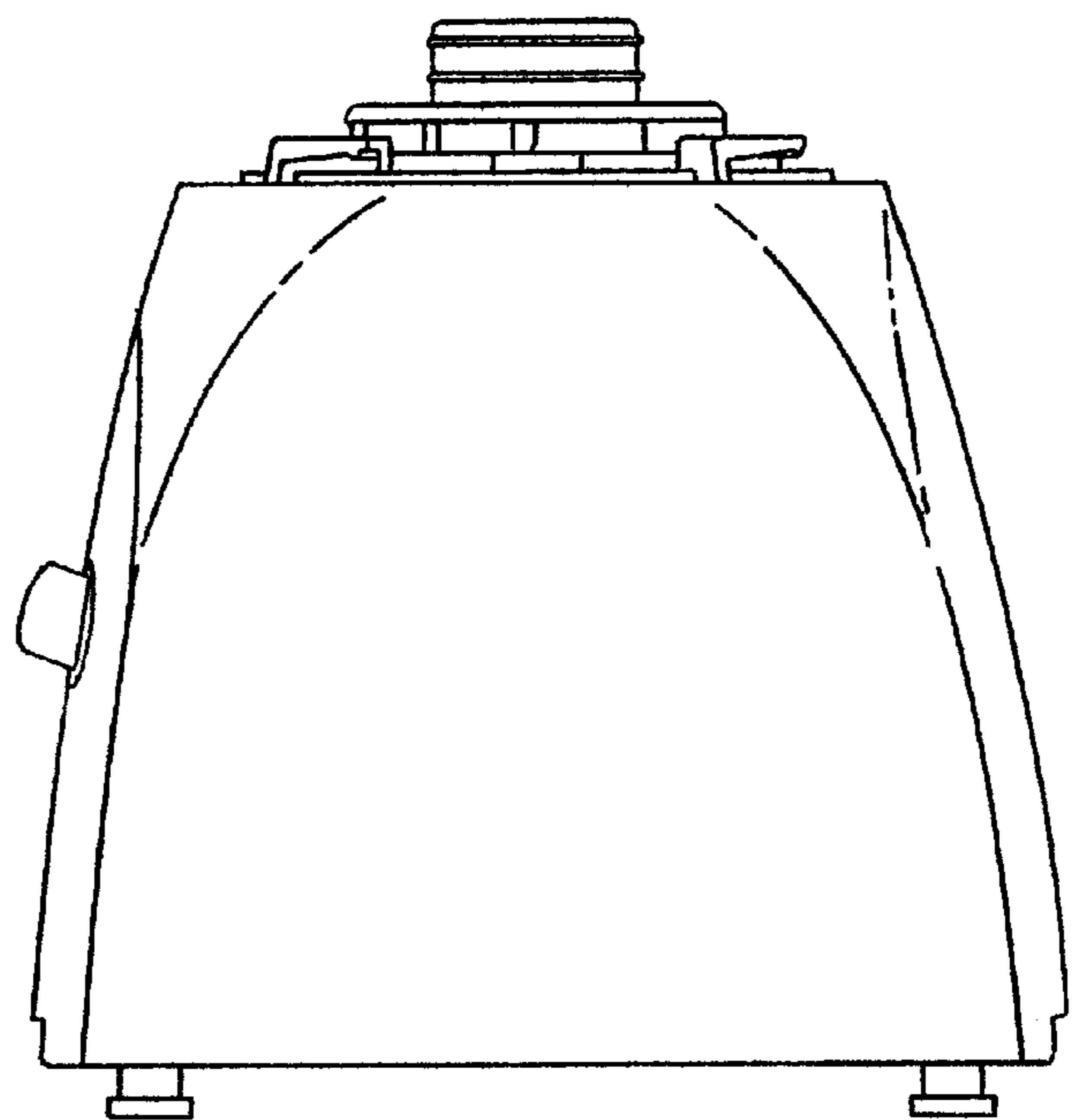


FIG 4

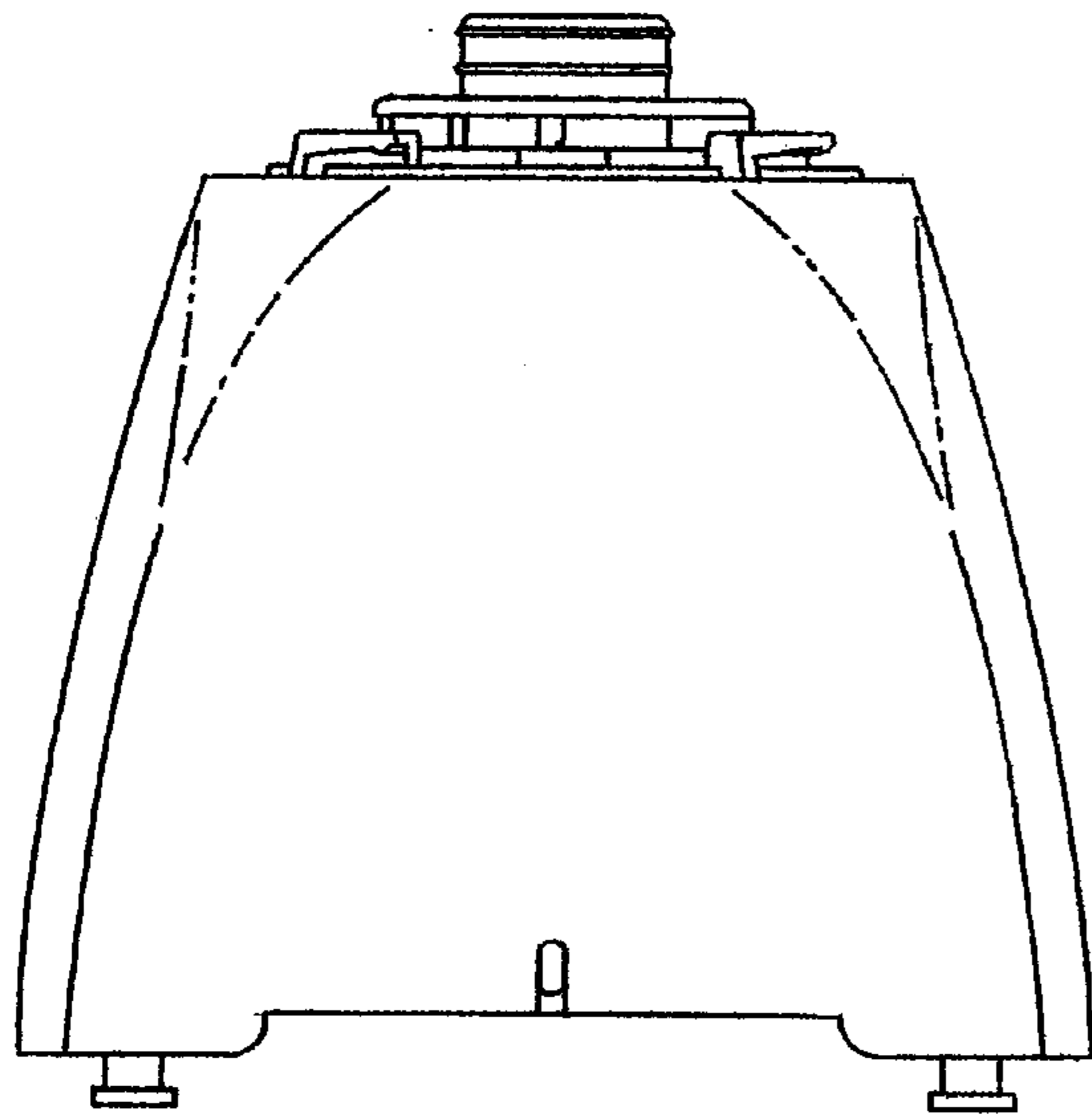


FIG 5

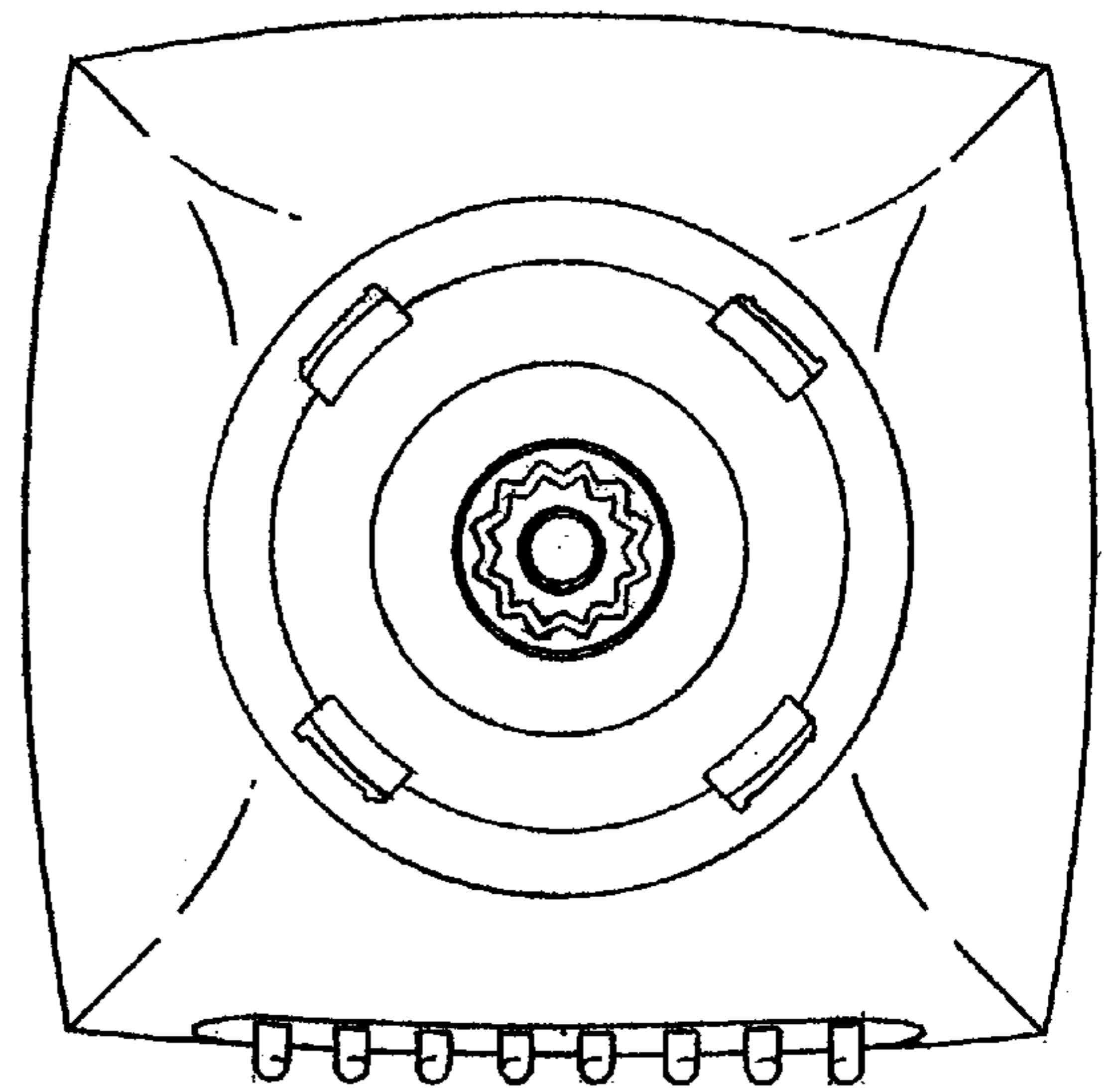


FIG 6

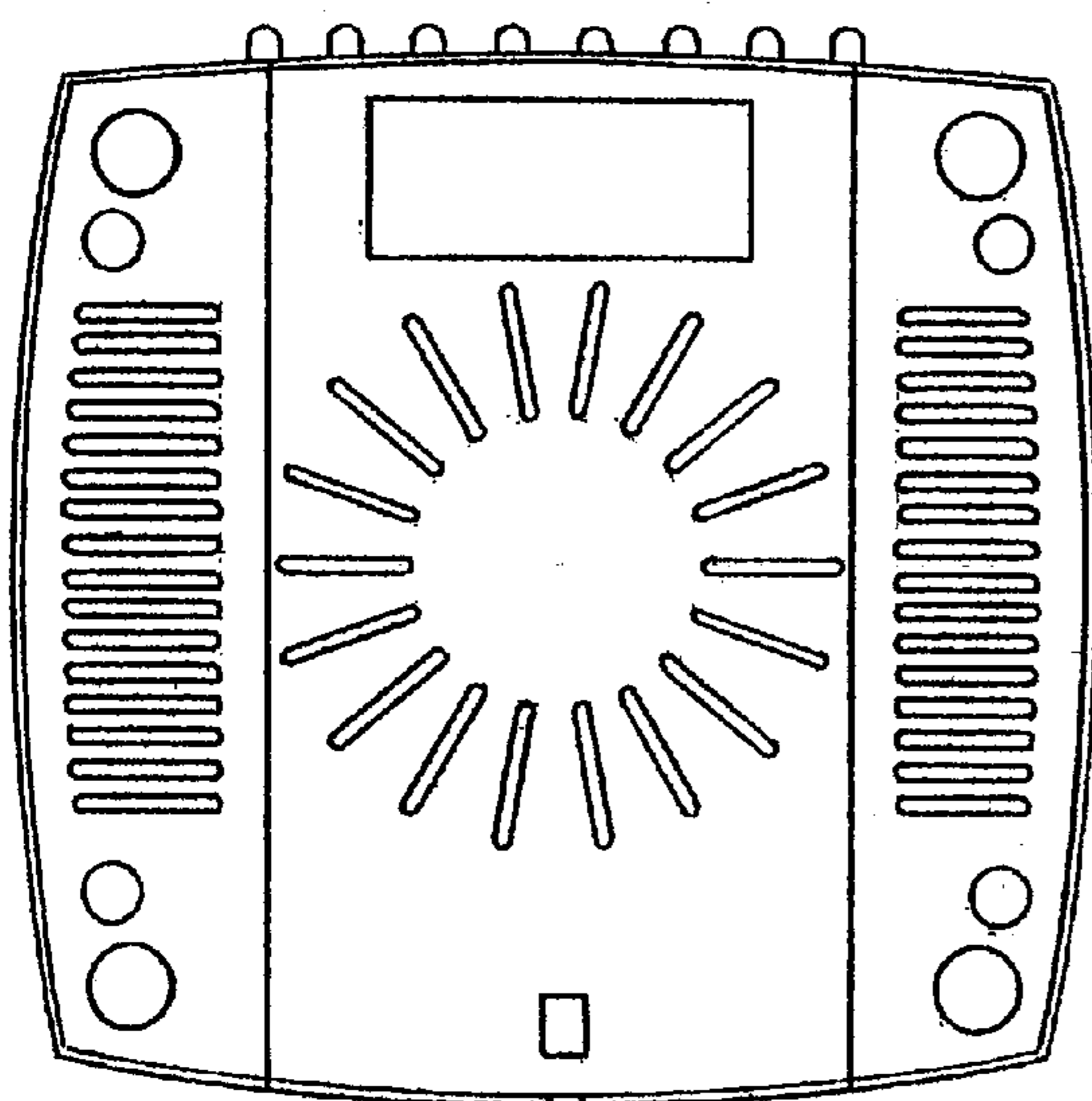


FIG 7