



US00D478467S

(12) **United States Design Patent**
Holderfield et al.

(10) **Patent No.:** **US D478,467 S**

(45) **Date of Patent:** **** Aug. 19, 2003**

(54) **HAND MIXER**

(75) Inventors: **Gregory James Holderfield**, Chicago, IL (US); **Elliott Hsu**, Chicago, IL (US); **Augusto A. Picozza**, Boca Raton, FL (US)

(73) Assignee: **Sunbeam Products, Inc.**, Boca Raton, FL (US)

(**) Term: **14 Years**

(21) Appl. No.: **29/168,961**

(22) Filed: **Oct. 10, 2002**

(51) **LOC (7) Cl.** **31-00**

(52) **U.S. Cl.** **D7/379**

(58) **Field of Search** D7/376-380, 384, D7/412; 241/33, 168, 169.1, 291, 301; 366/64, 67, 100, 129, 199, 279, 325.5, 330.3, 330.4, 244-247, 251, 314

(56) **References Cited**

U.S. PATENT DOCUMENTS

D165,924 S * 2/1952 McFarland et al. D7/379
D396,991 S * 8/1998 Lallemand D7/379

D416,168 S * 11/1999 Huang D7/379
D418,010 S * 12/1999 Chan D7/379
D419,366 S * 1/2000 Tse D7/379
D471,758 S * 3/2003 Wilson D7/379

* cited by examiner

Primary Examiner—Caron D. Veynar

(74) *Attorney, Agent, or Firm*—Lawrence J. Shurupoff

(57) **CLAIM**

The ornamental design for a hand mixer, as shown and described.

DESCRIPTION

FIG. 1 is a top front right perspective view of the hand mixer showing the new design;

FIG. 2 is a left side elevation view thereof;

FIG. 3 is a front elevation view thereof;

FIG. 4 is a right side elevation view thereof;

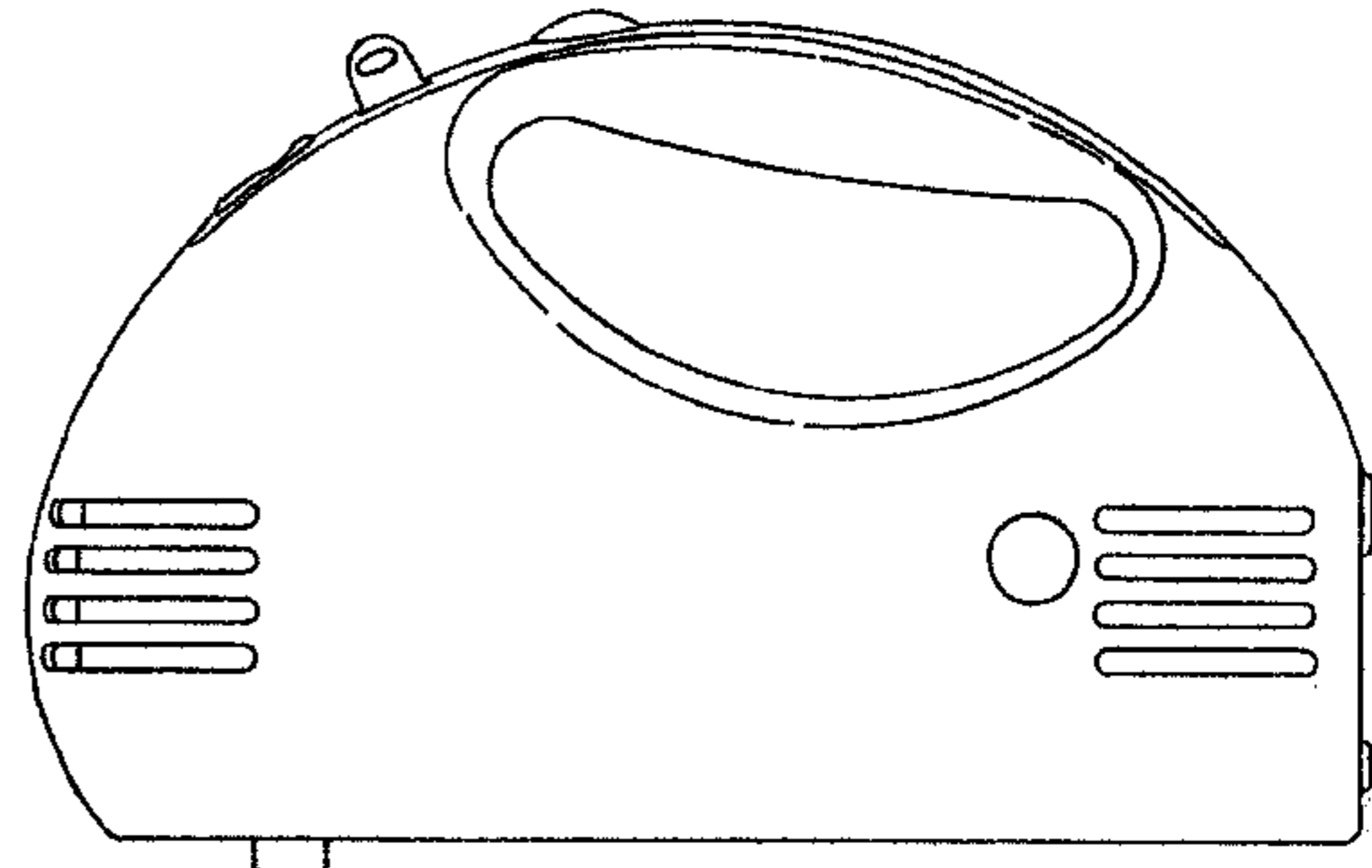
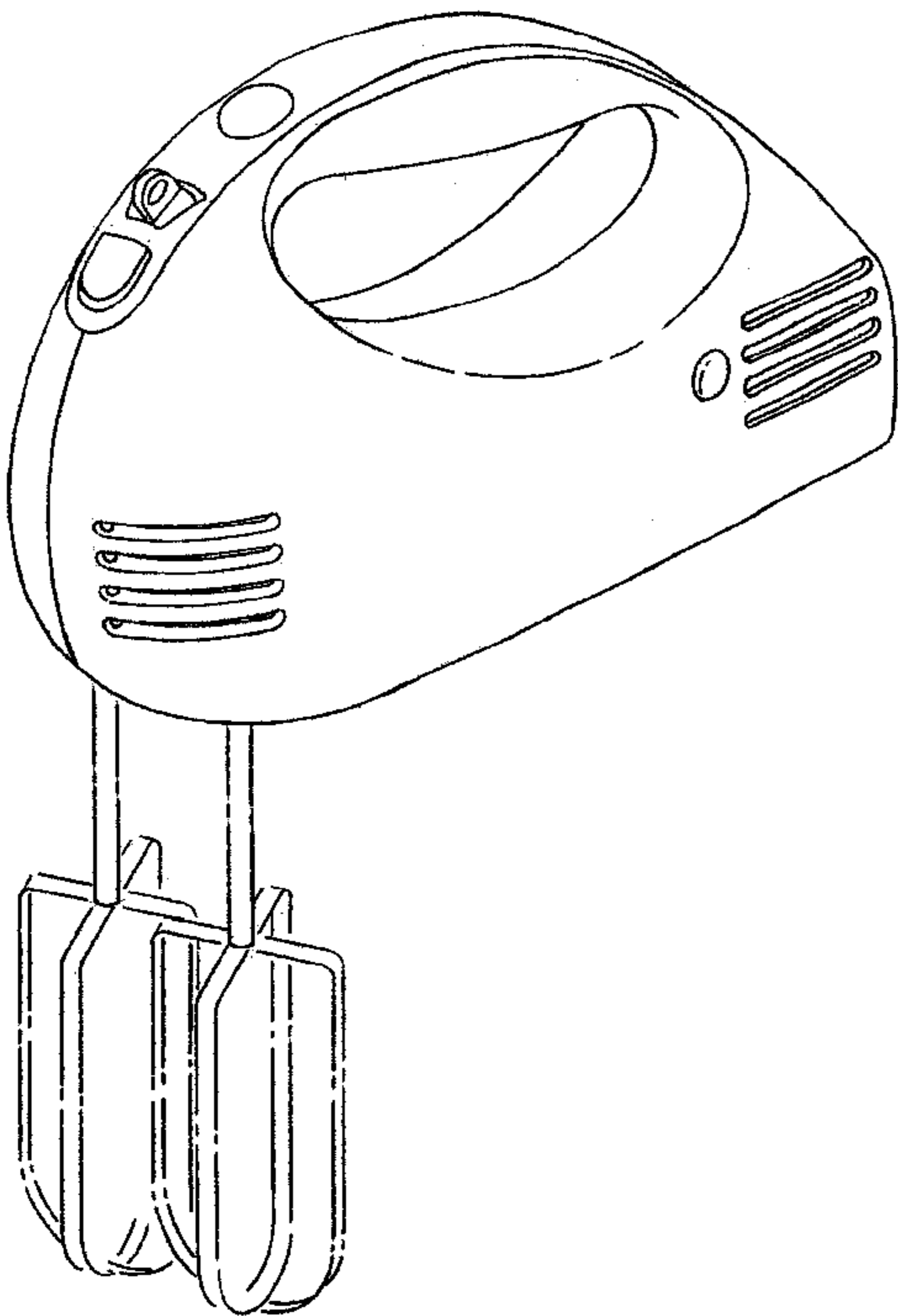
FIG. 5 is a rear elevation view thereof;

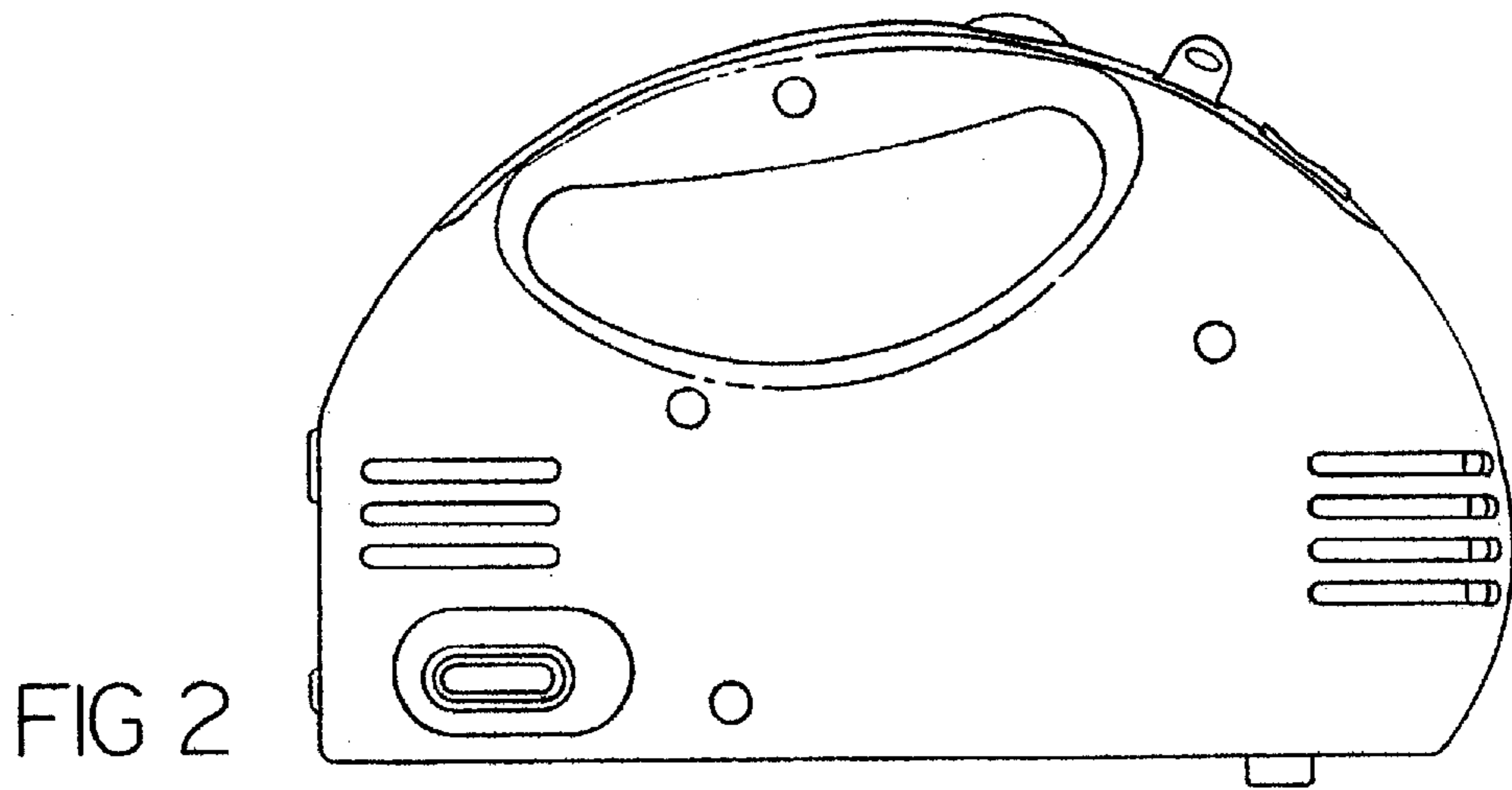
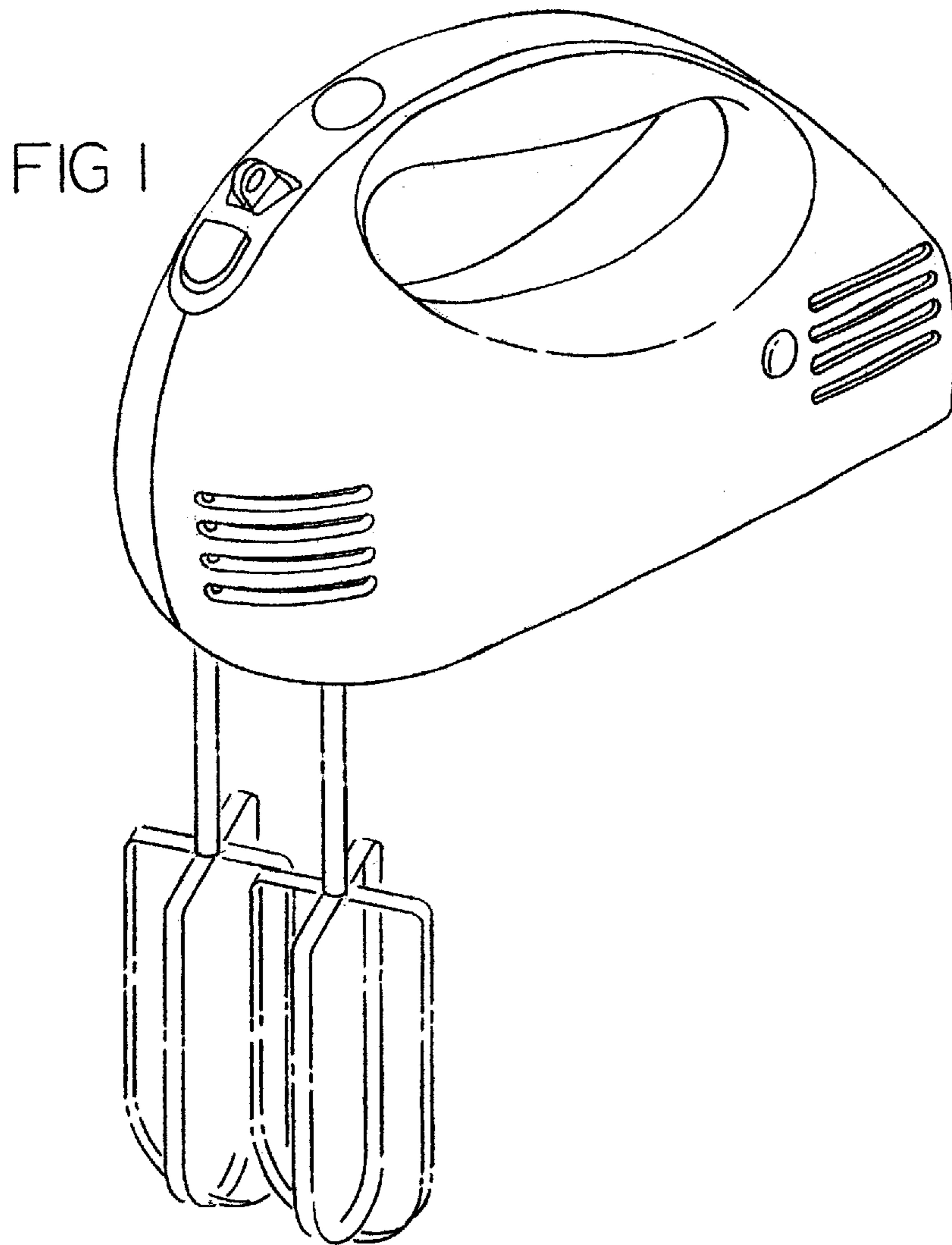
FIG. 6 is a top plan view thereof; and,

FIG. 7 is a bottom plan view thereof.

The broken lines showing beaters in FIG. 1 are for illustrative purposes only and form no part of the claimed design.

1 Claim, 3 Drawing Sheets





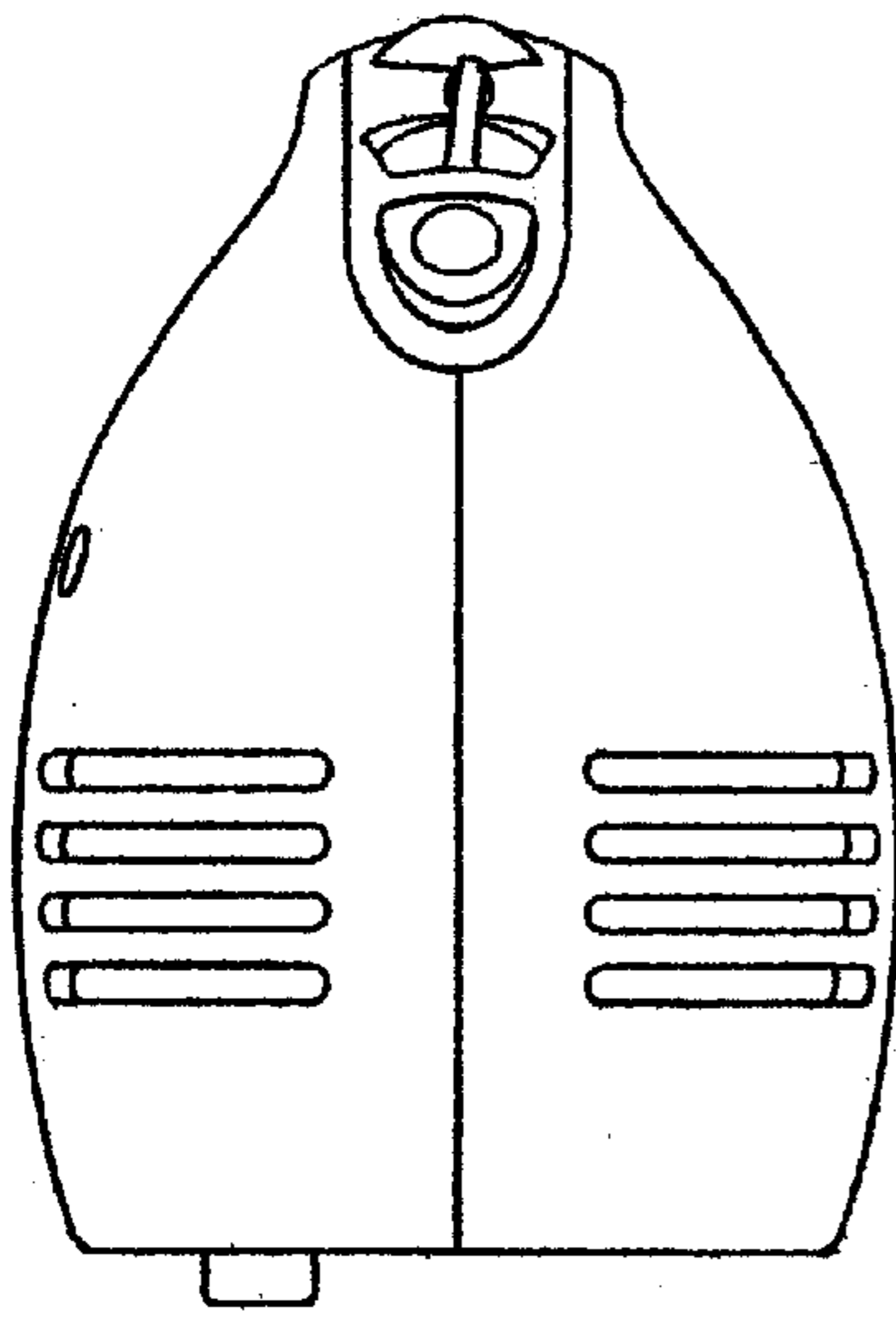


FIG 3

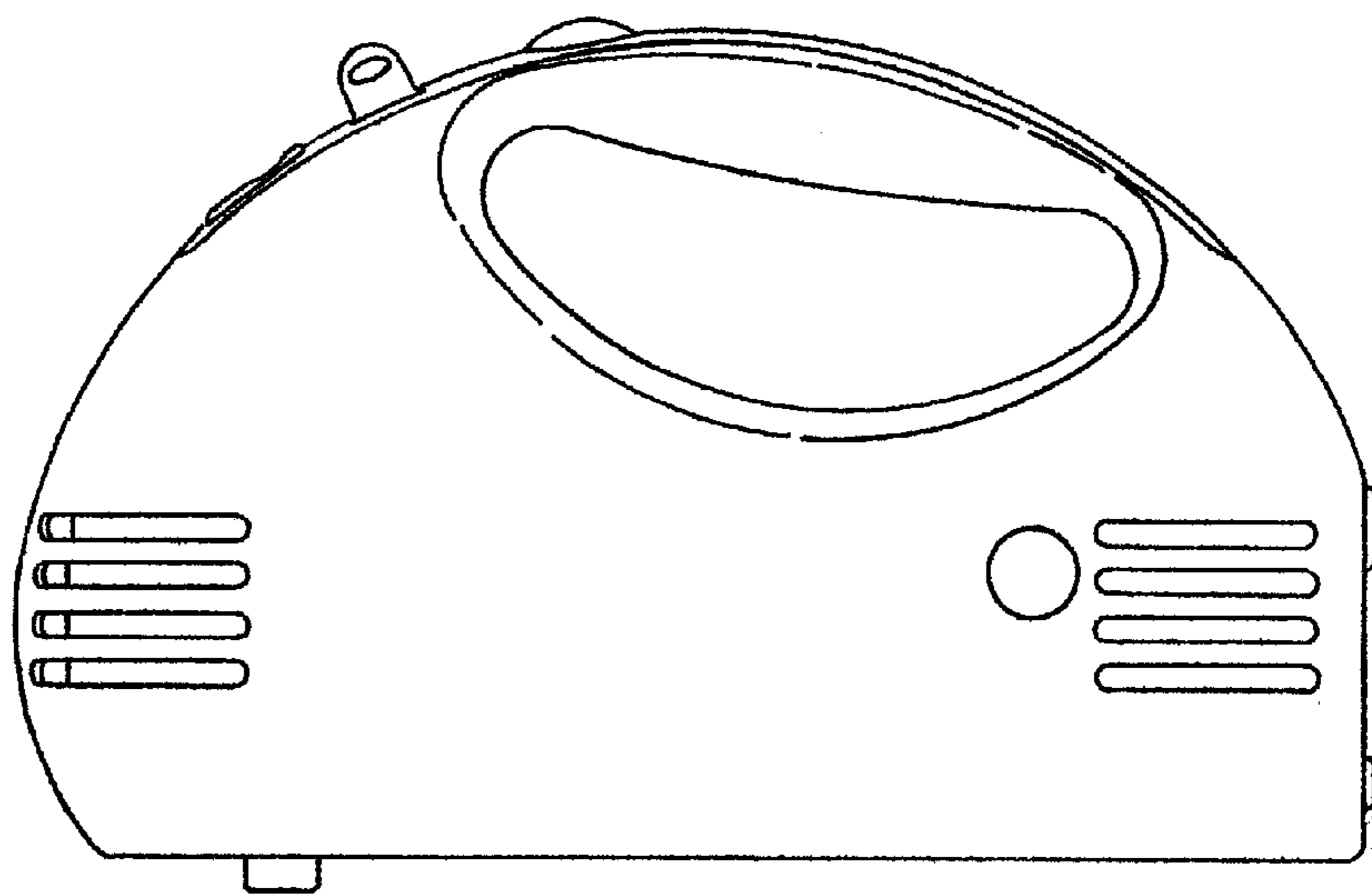


FIG 4

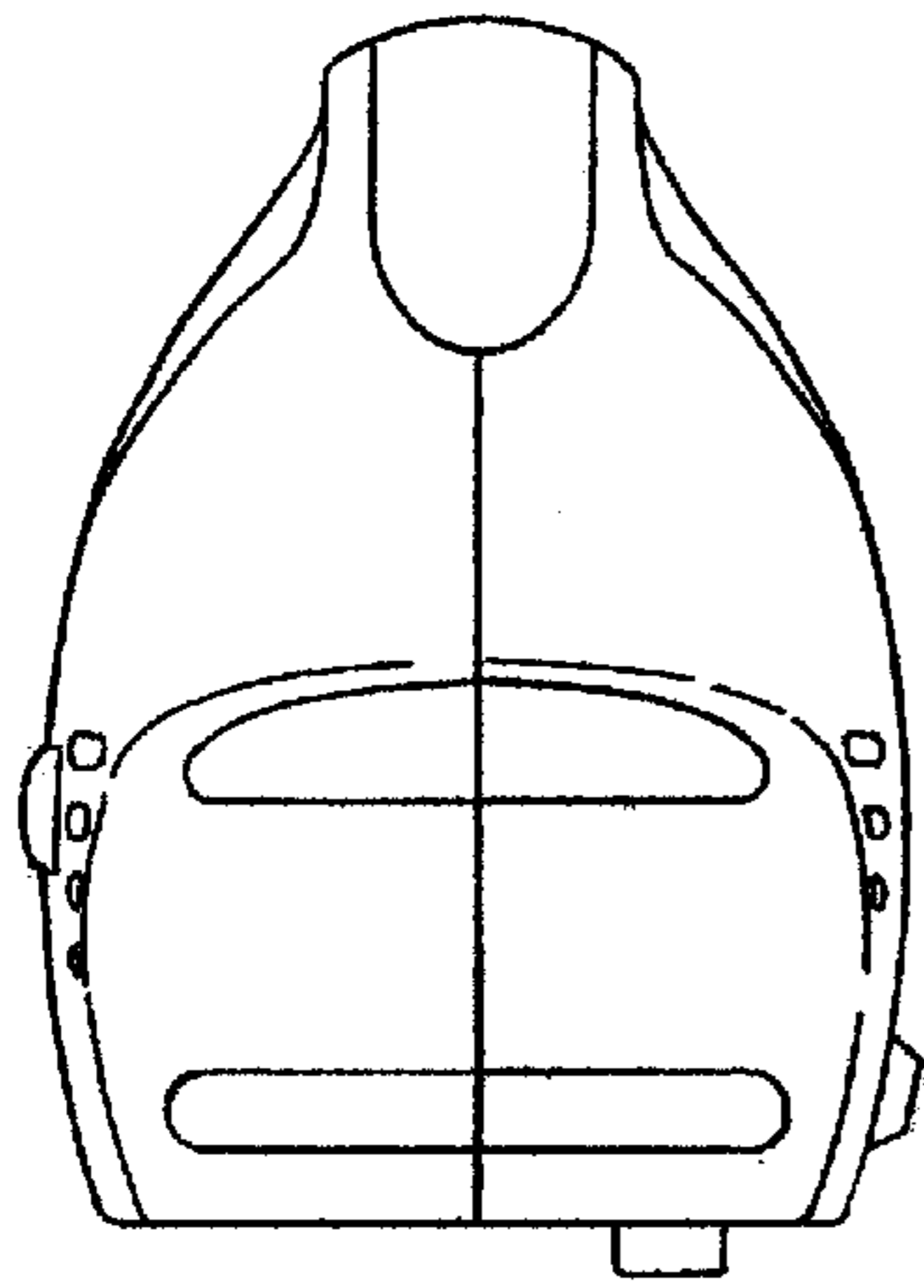


FIG 5

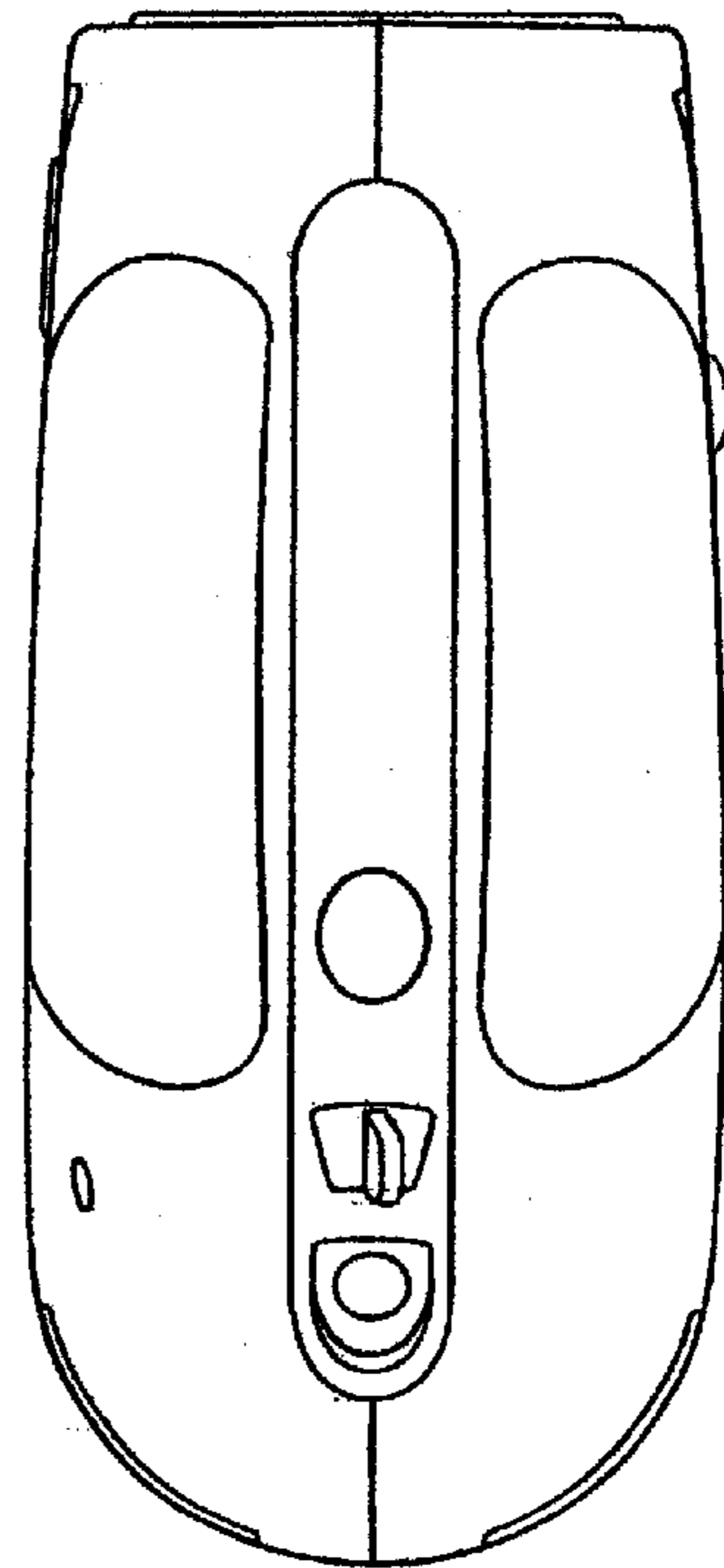


FIG 6

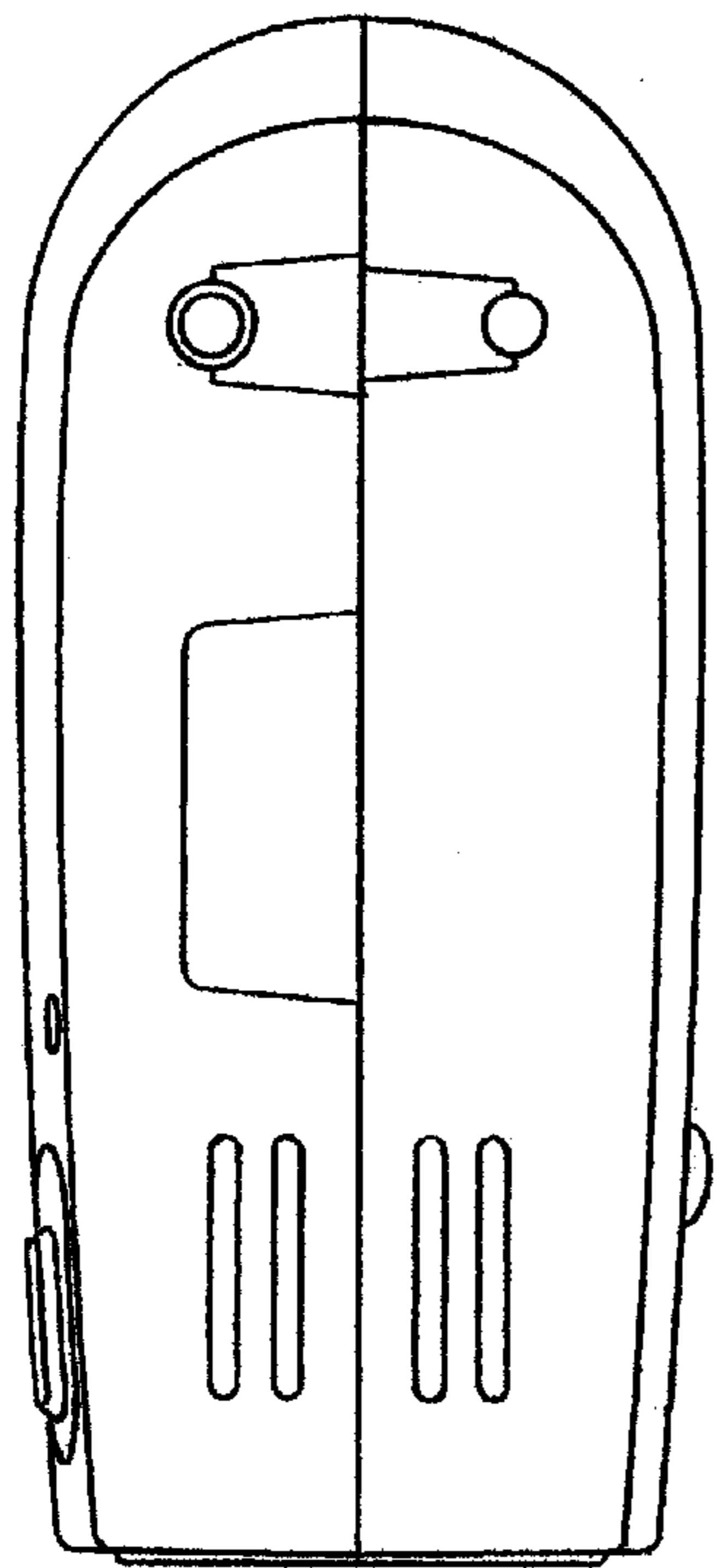


FIG 7