



US00D478465S

(12) **United States Design Patent**
Kanza

(10) **Patent No.:** **US D478,465 S**

(45) **Date of Patent:** **** Aug. 19, 2003**

(54) **MICROWAVE OVEN**

(75) **Inventor:** **Akinobu Kanza, Hyogo (JP)**

(73) **Assignee:** **Matsushita Electric Industrial Co., Ltd., Kadoma (JP)**

(**) **Term:** **14 Years**

(21) **Appl. No.:** **29/169,931**

(22) **Filed:** **Oct. 28, 2002**

(51) **LOC (7) Cl. 07-02**

(52) **U.S. Cl. D7/351**

(58) **Field of Search** D7/350.1, 350.3,
D7/350.4, 351, 402, 405-406; 126/273 A,
275 R, 275 E, 19 M, 21 R; 219/678, 756-758;
99/DIG. 14, 341

(56) **References Cited**

U.S. PATENT DOCUMENTS

D341,289 S	*	11/1993	Choi	D7/351
D371,041 S	*	6/1996	Matoba et al.	D7/351
D373,925 S		9/1996	Kim		
D426,102 S	*	6/2000	Hamada et al.	D7/351
D429,945 S	*	8/2000	Noda et al.	D7/351
D435,999 S	*	1/2001	Noda et al.	D7/351
D439,468 S	*	3/2001	Kim	D7/351
D439,794 S	*	4/2001	Paul	D7/351

D442,820 S	*	5/2001	Kim	D7/351
D452,410 S	*	12/2001	Ichimura	D7/351
D455,932 S	*	4/2002	Noda et al.	D7/351

OTHER PUBLICATIONS

Panasonic France's web site page for Microwave Oven (NN-A890W).

* cited by examiner

Primary Examiner—Ruth McInroy

(74) *Attorney, Agent, or Firm*—Brinks Hofer Gilson & Lione

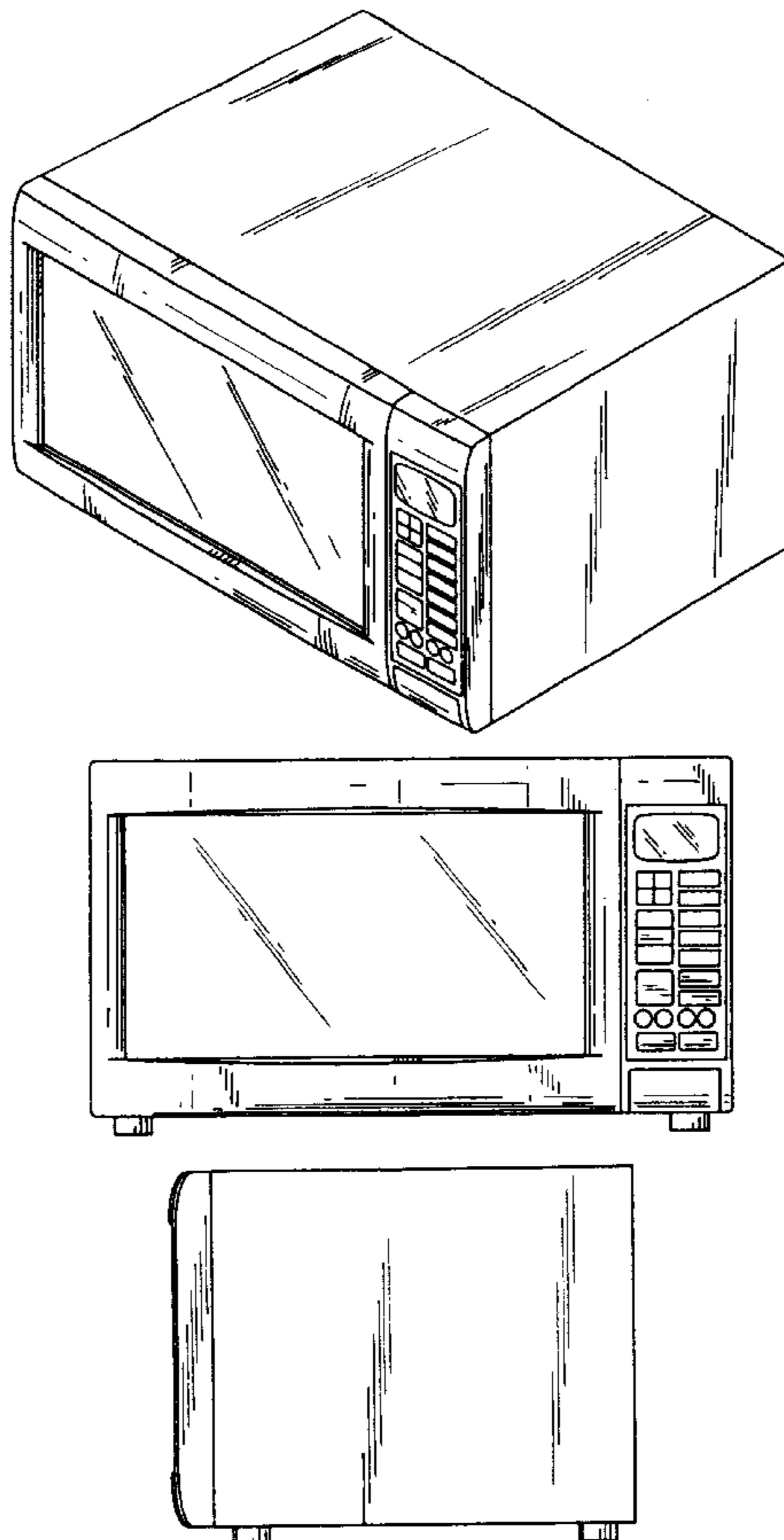
(57) **CLAIM**

The ornamental design for a microwave oven, as shown and described.

DESCRIPTION

FIG. 1 is a perspective view of a microwave oven showing my new design;
FIG. 2 is a front view thereof;
FIG. 3 is a rear view thereof;
FIG. 4 is a top plan view thereof;
FIG. 5 is a bottom view thereof;
FIG. 6 is a left side view thereof; and,
FIG. 7 is a right side view thereof.

1 Claim, 7 Drawing Sheets



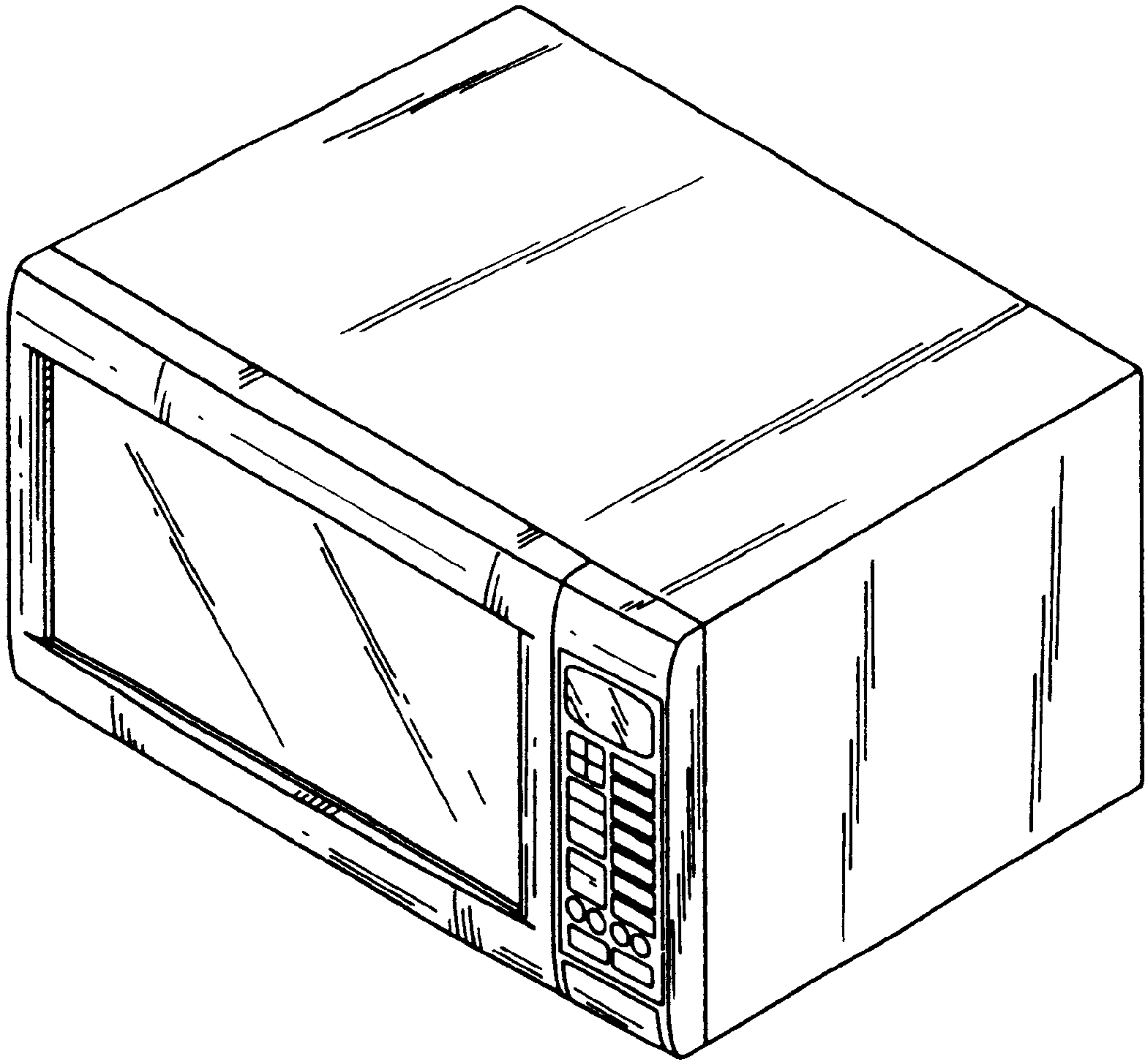


FIGURE 1

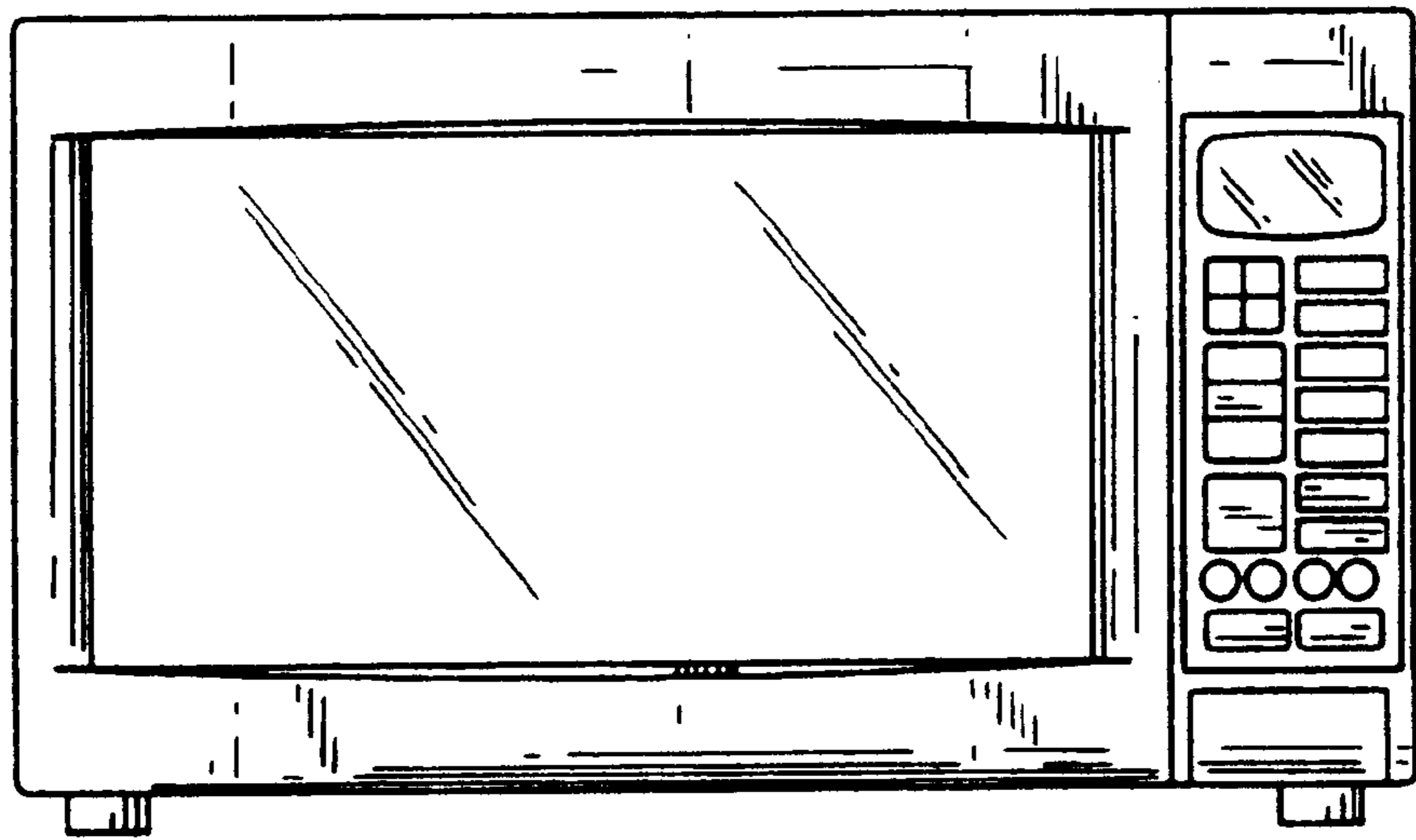


FIGURE 2

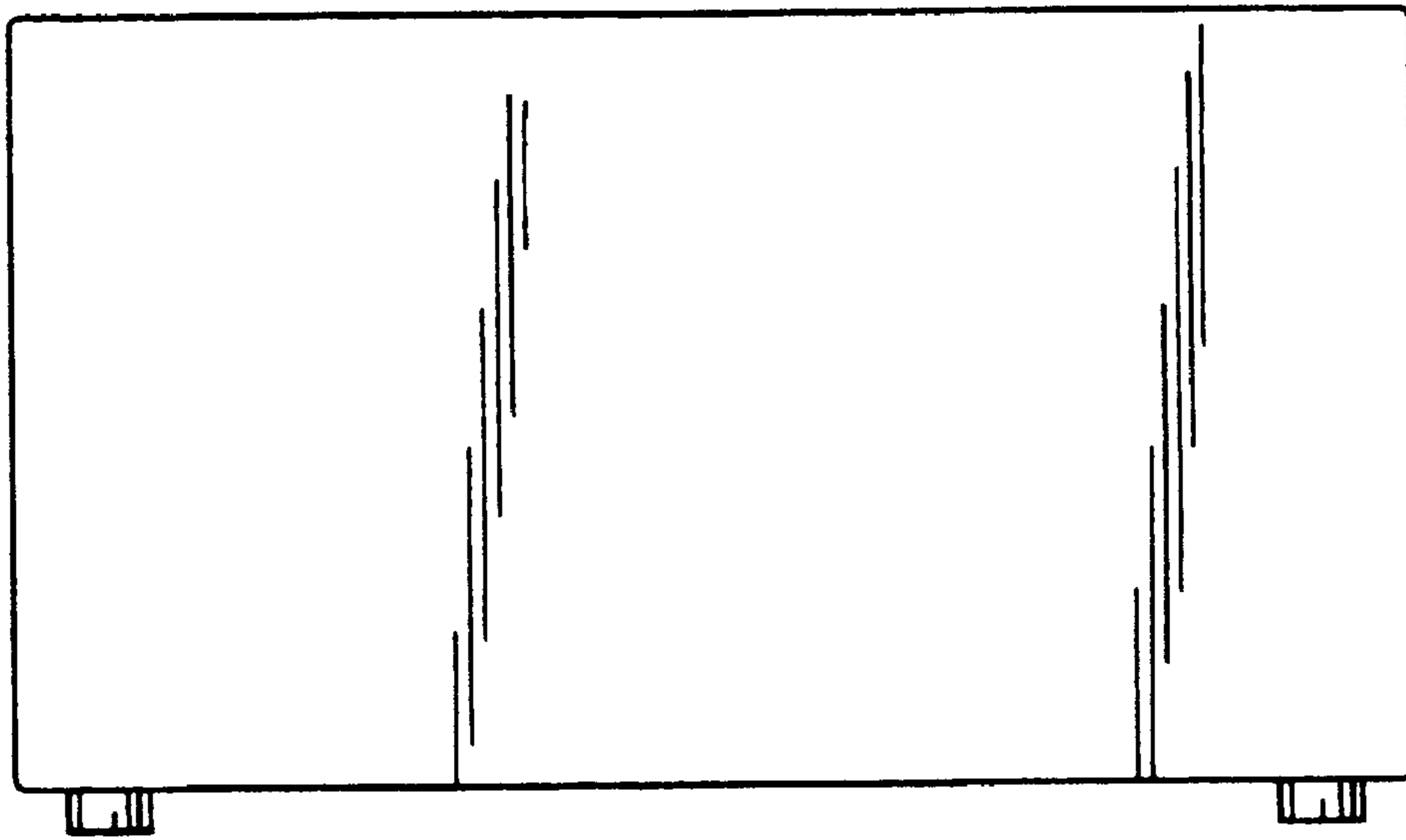


FIGURE 3

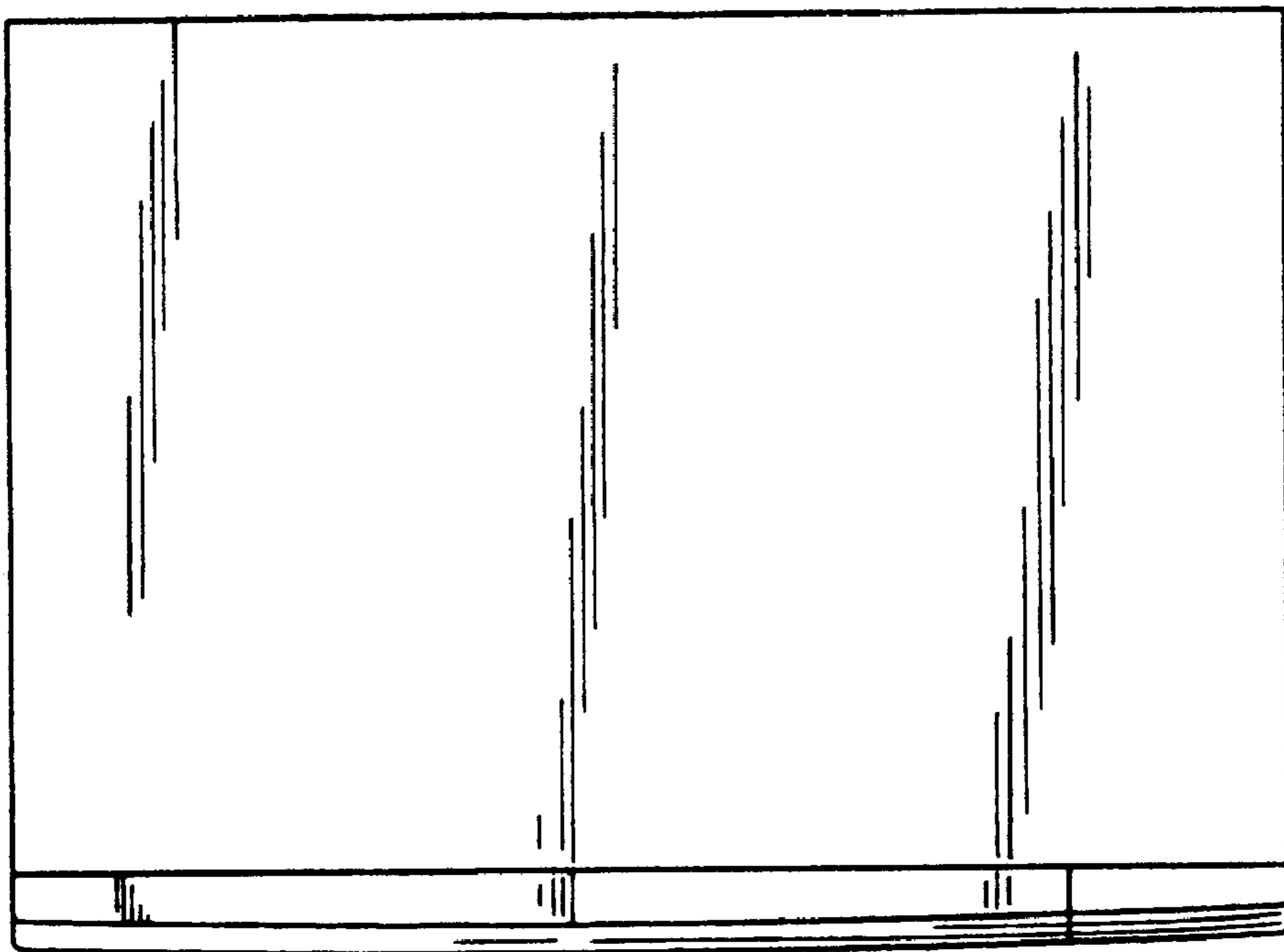


FIGURE 4

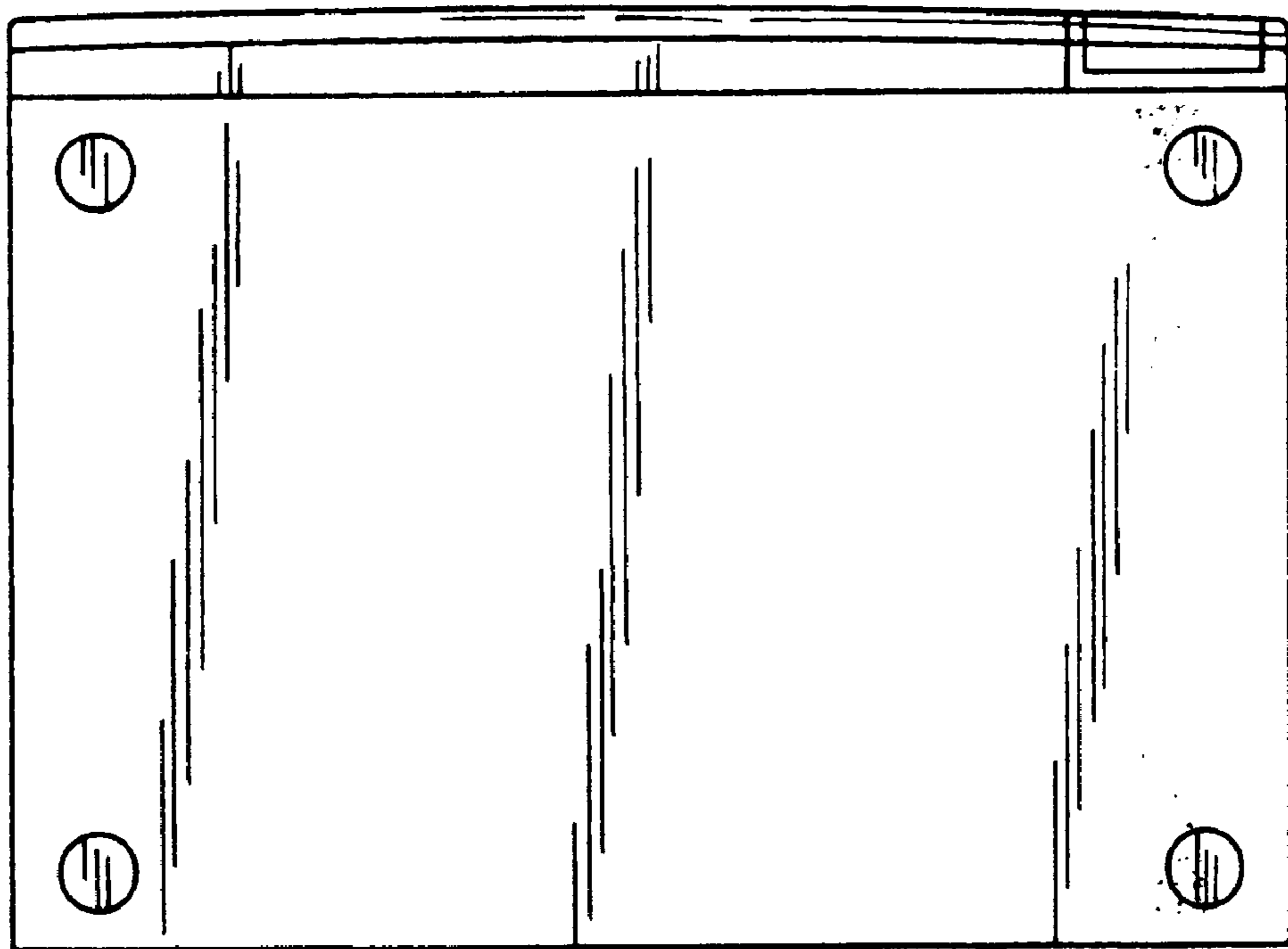


FIGURE 5

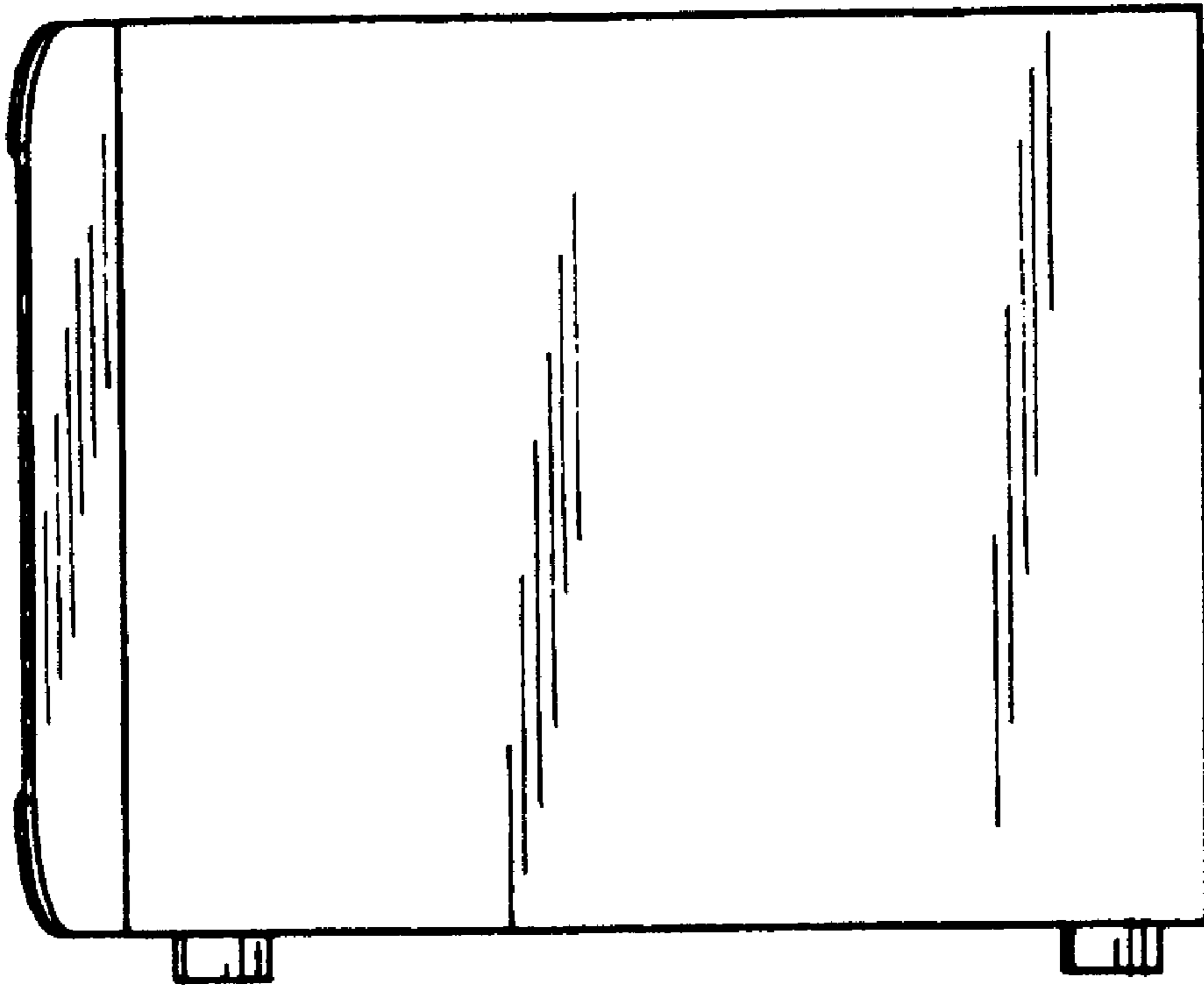


FIGURE 6

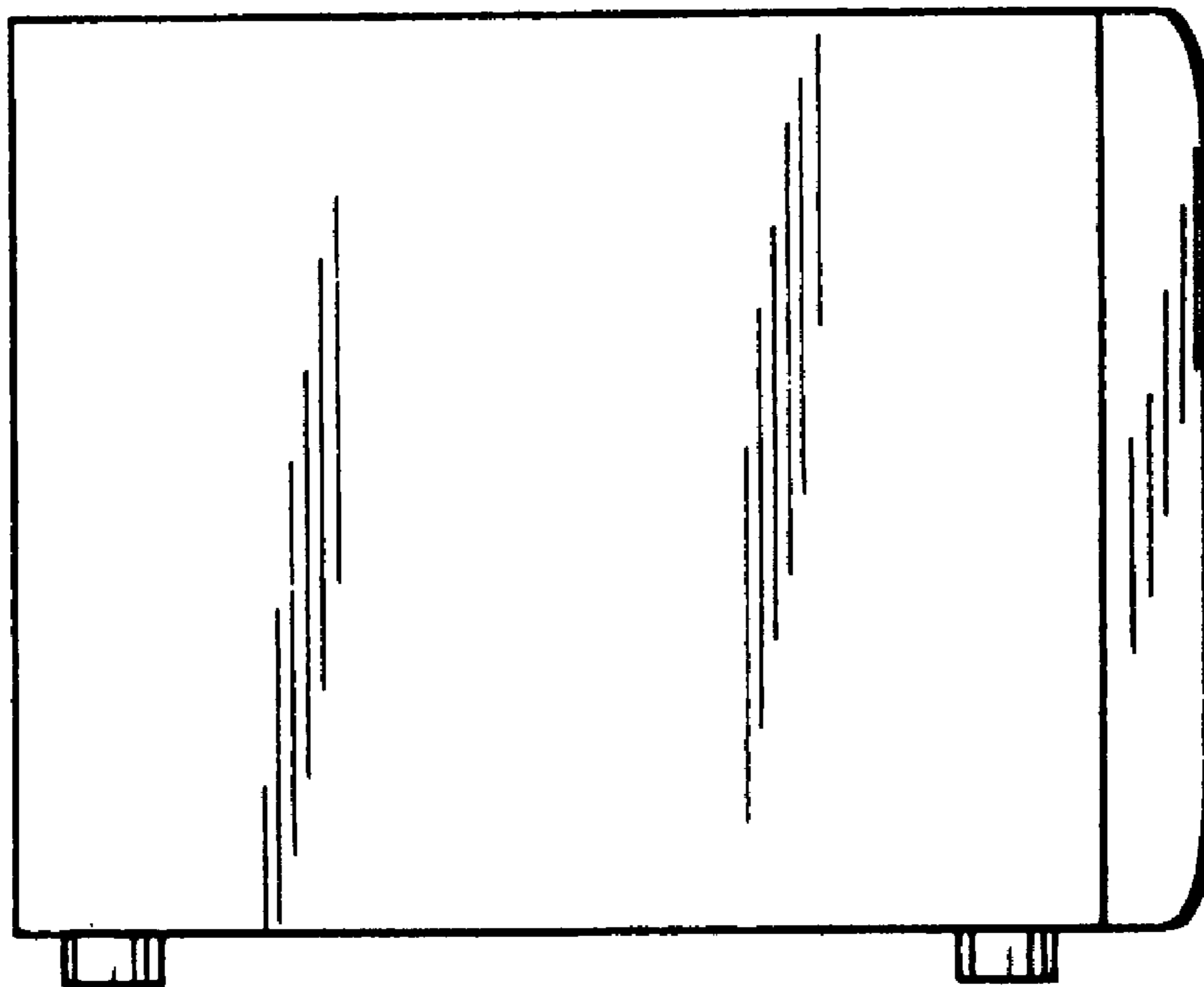


FIGURE 7