



US00D478464S

(12) **United States Design Patent**  
**Pai**

(10) **Patent No.:** **US D478,464 S**

(45) **Date of Patent:** **\*\* Aug. 19, 2003**

(54) **ROASTER**

(76) **Inventor:** **Jui-Yen Pai**, No. 617, Sec. 4, Chung Hua Rd., Hsin Chu City (TW)

(\*\*) **Term:** **14 Years**

(21) **Appl. No.:** **29/169,572**

(22) **Filed:** **Oct. 22, 2002**

(51) **LOC (7) Cl.** ..... **07-02**

(52) **U.S. Cl.** ..... **D7/334**

(58) **Field of Search** ..... D7/332-337, 402-404;  
126/25 R, 25 A, 25 AA, 9 R, 9 A, 9 B,  
38, 40, 41 R, 26, 29-30; 99/419, 421 R,  
421 H, 421 HV

(56) **References Cited**

**U.S. PATENT DOCUMENTS**

D188,879 S \* 9/1960 Gauss et al. .... D7/334  
D252,248 S \* 7/1979 Huff ..... D7/334  
4,718,399 A \* 1/1988 Shepherd ..... 126/25 R  
5,623,866 A \* 4/1997 Home ..... 99/444

D450,525 S \* 11/2001 Giebel et al. .... D7/334  
6,422,230 B1 \* 7/2002 Stewart et al. .... 126/25 R  
D466,358 S \* 12/2002 Eisinger et al. .... D7/334  
D472,422 S \* 4/2003 Pai ..... D7/334

\* cited by examiner

*Primary Examiner*—Ruth McInroy

(74) *Attorney, Agent, or Firm*—William E. Pelton, Esq.

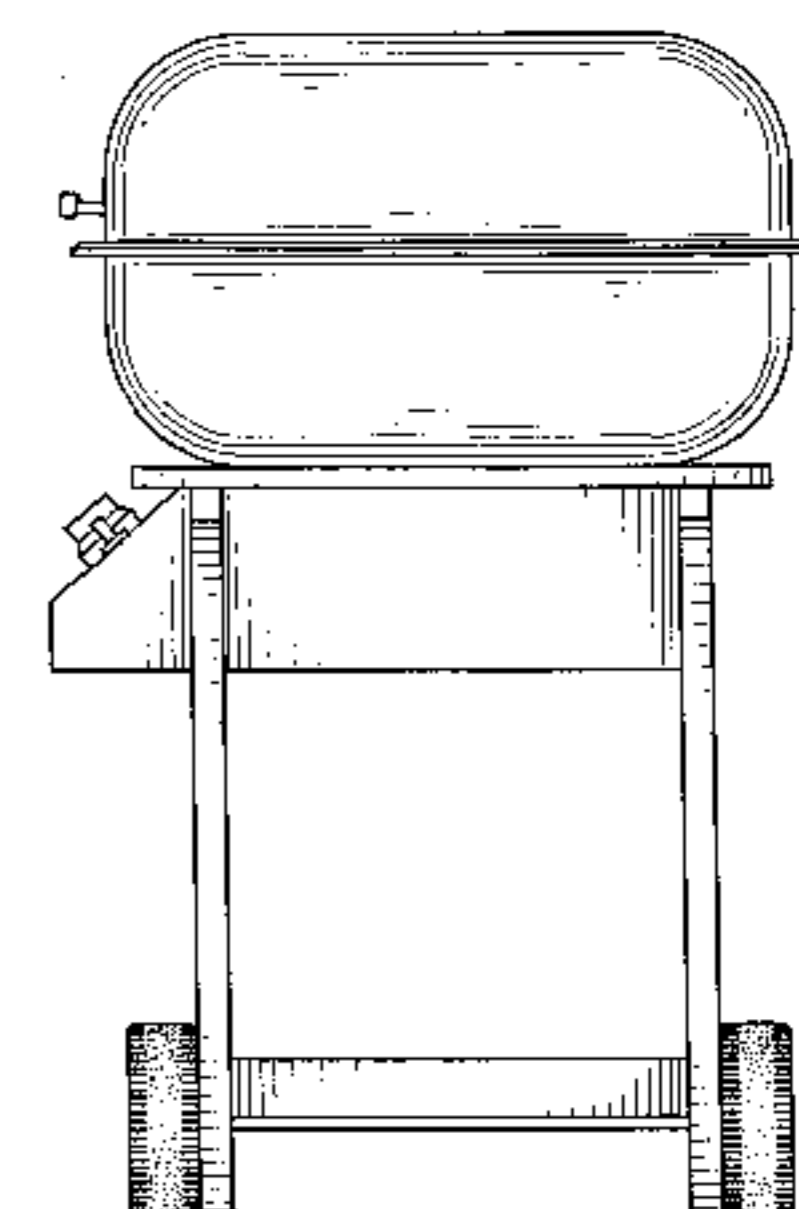
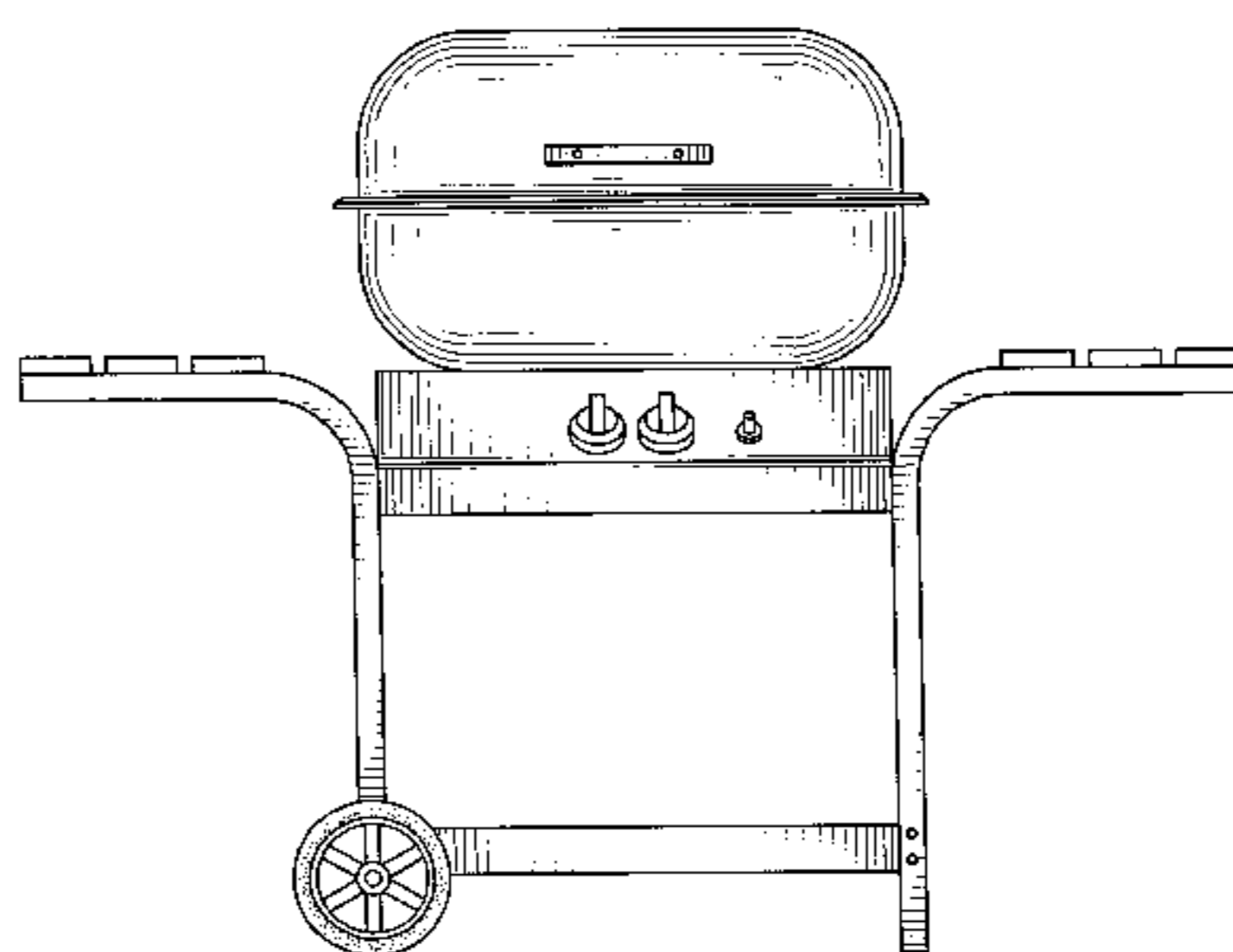
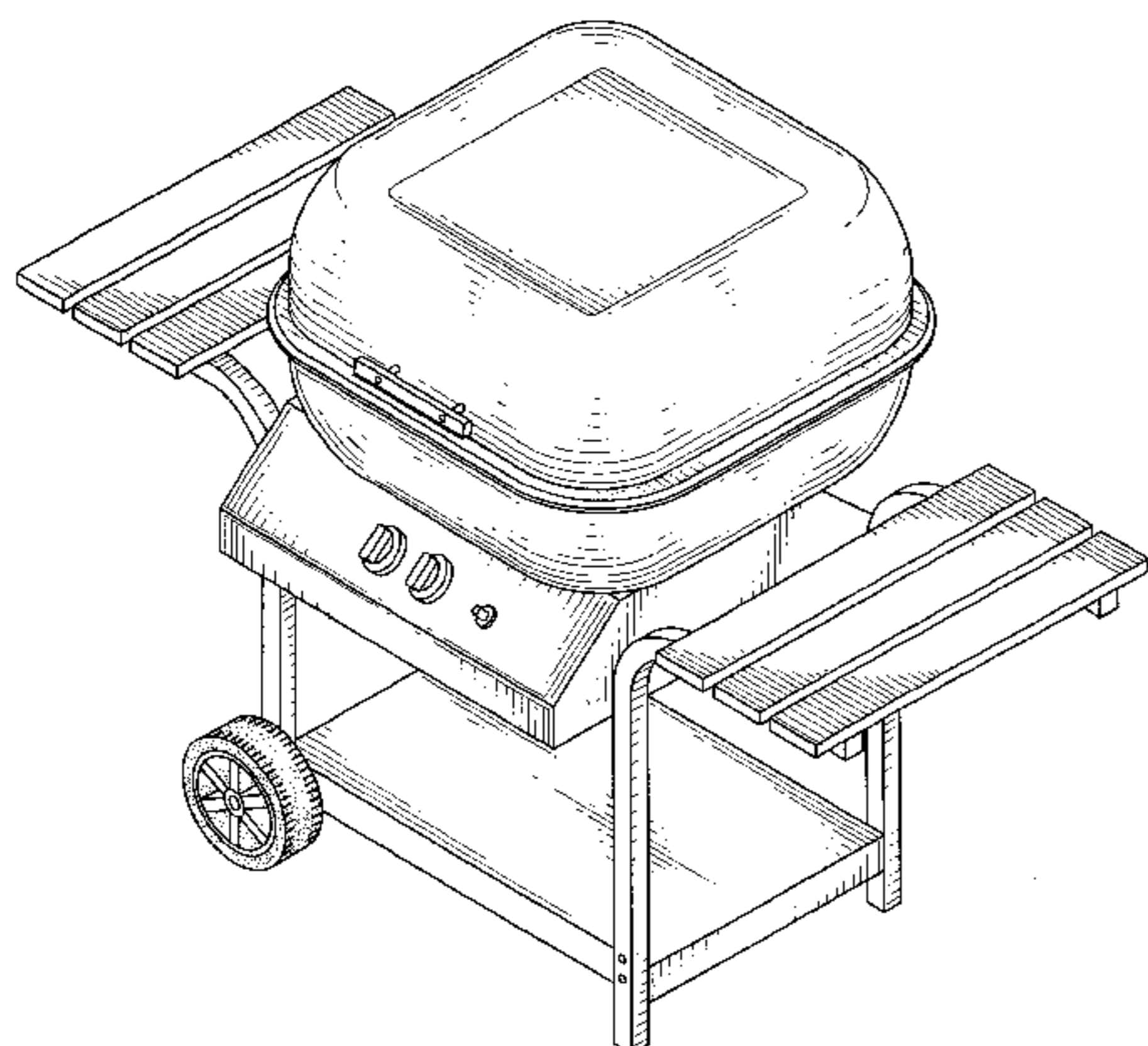
(57) **CLAIM**

The ornamental design for a roaster, as shown.

**DESCRIPTION**

FIG. 1 is a perspective view of the roaster showing my new design;  
FIG. 2 is a front elevational view thereof;  
FIG. 3 is a rear elevational view thereof;  
FIG. 4 is a left side view thereof;  
FIG. 5 is a right side view thereof;  
FIG. 6 is a top plan view thereof; and,  
FIG. 7 is a bottom plan view thereof.

**1 Claim, 6 Drawing Sheets**



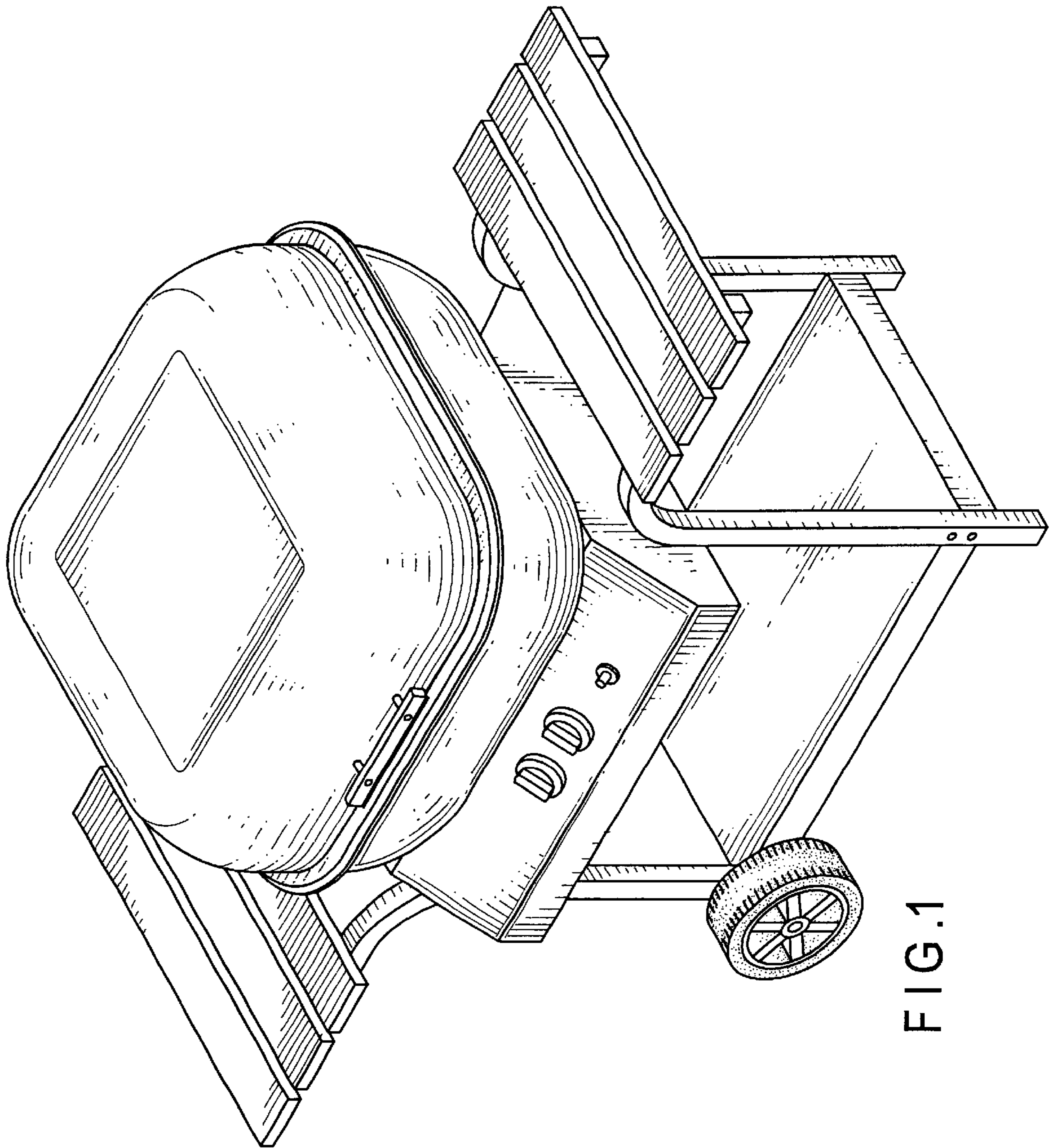


FIG.1

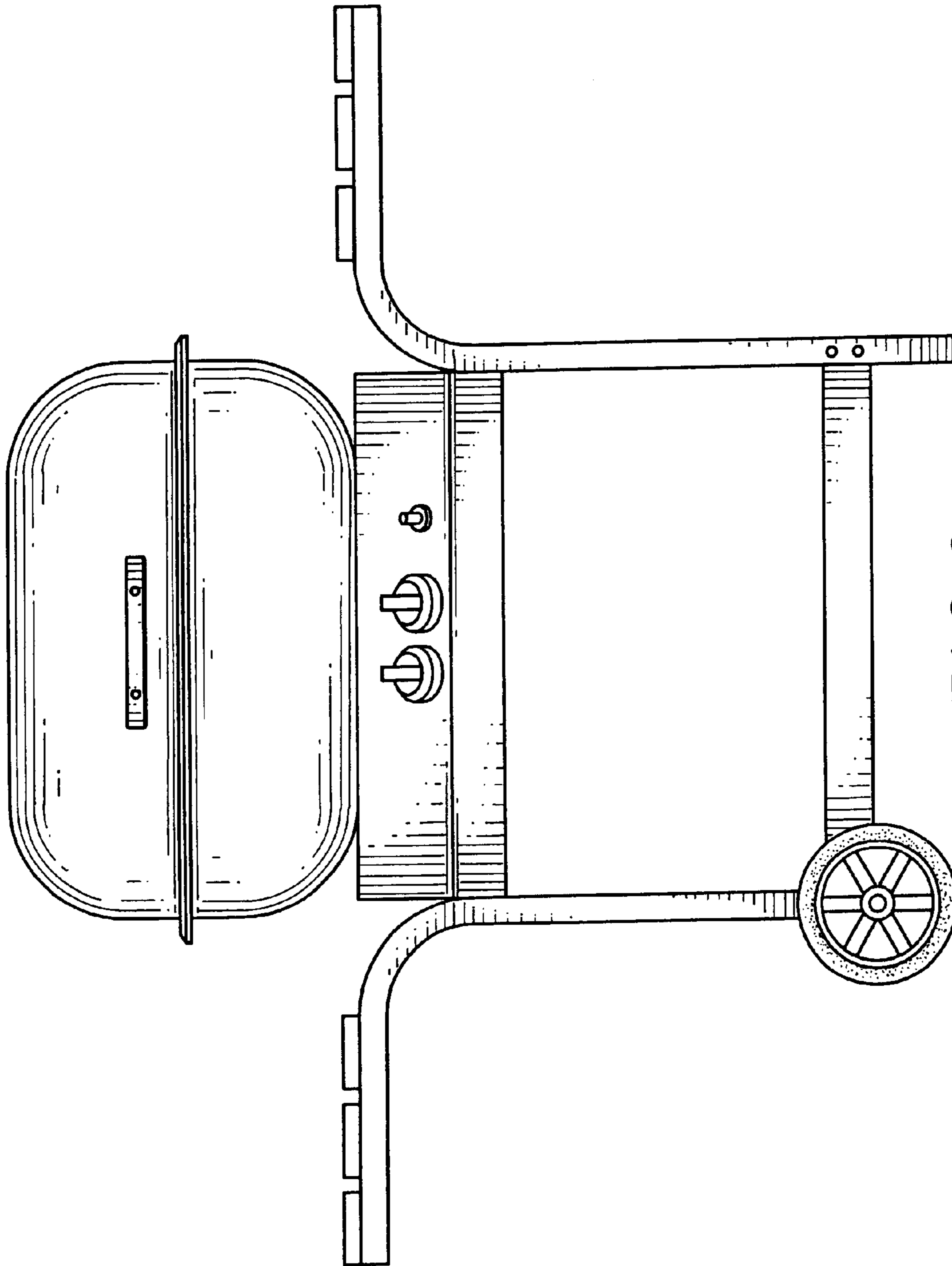


FIG.2

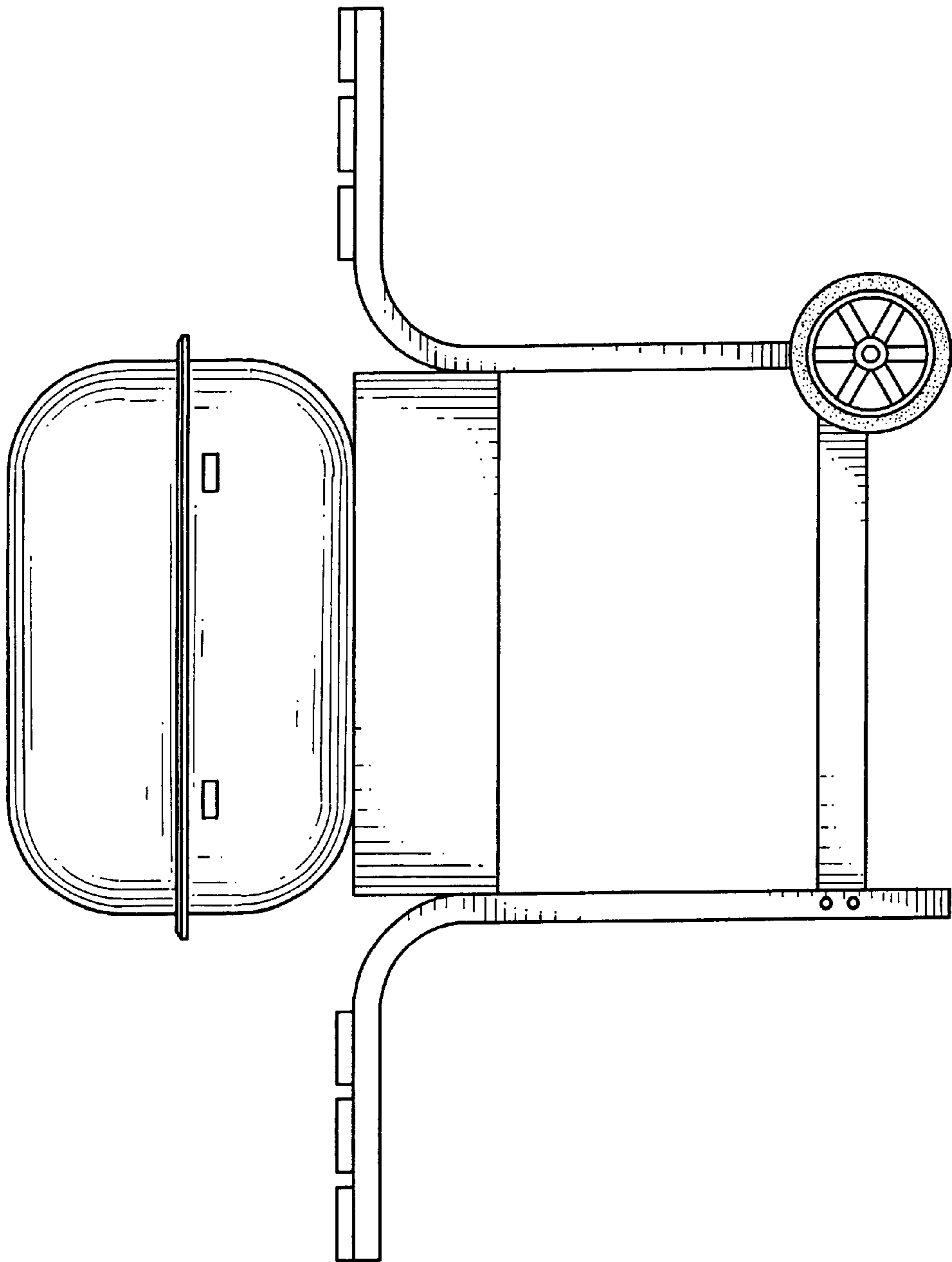


FIG. 3

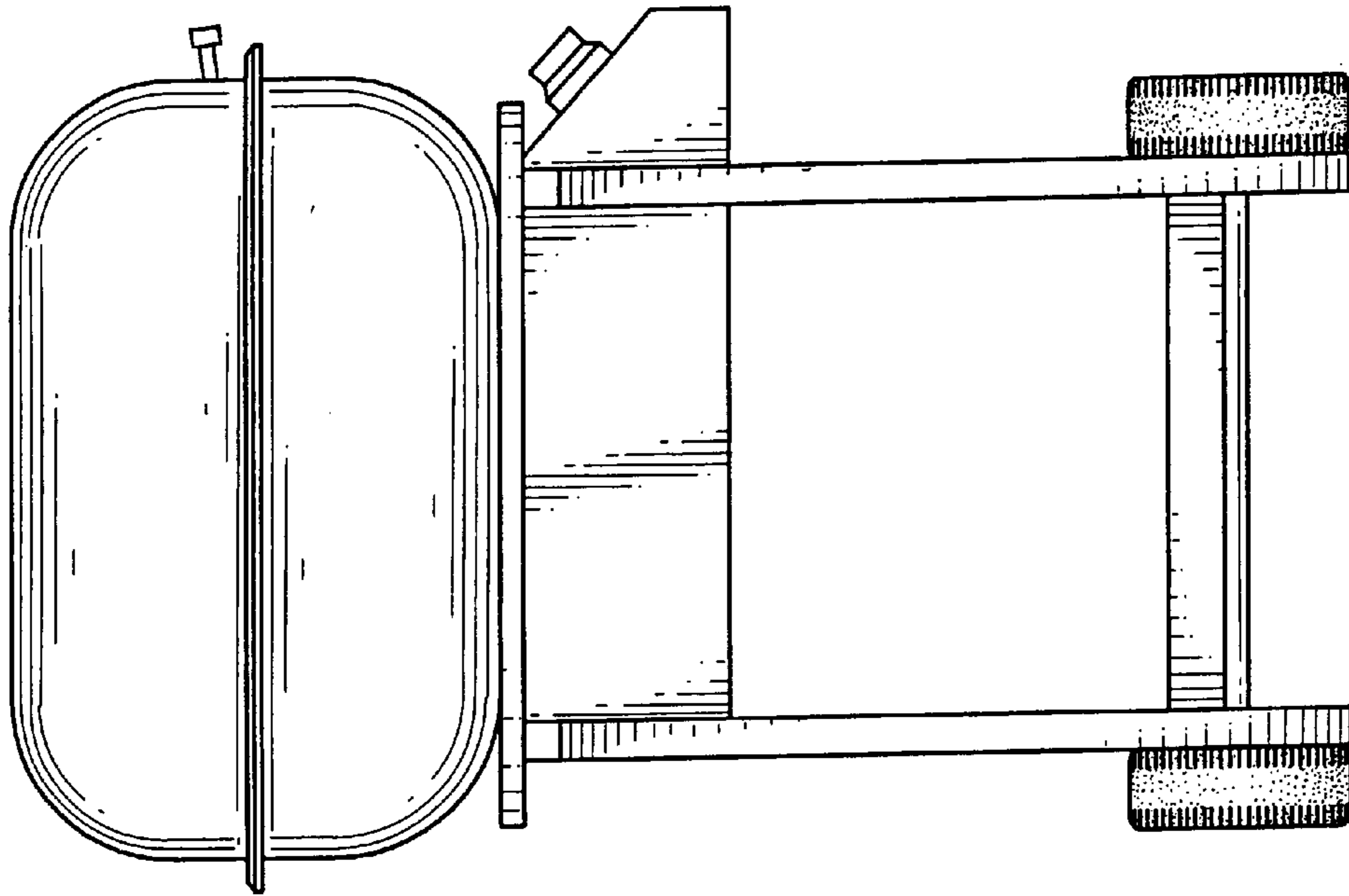


FIG. 4

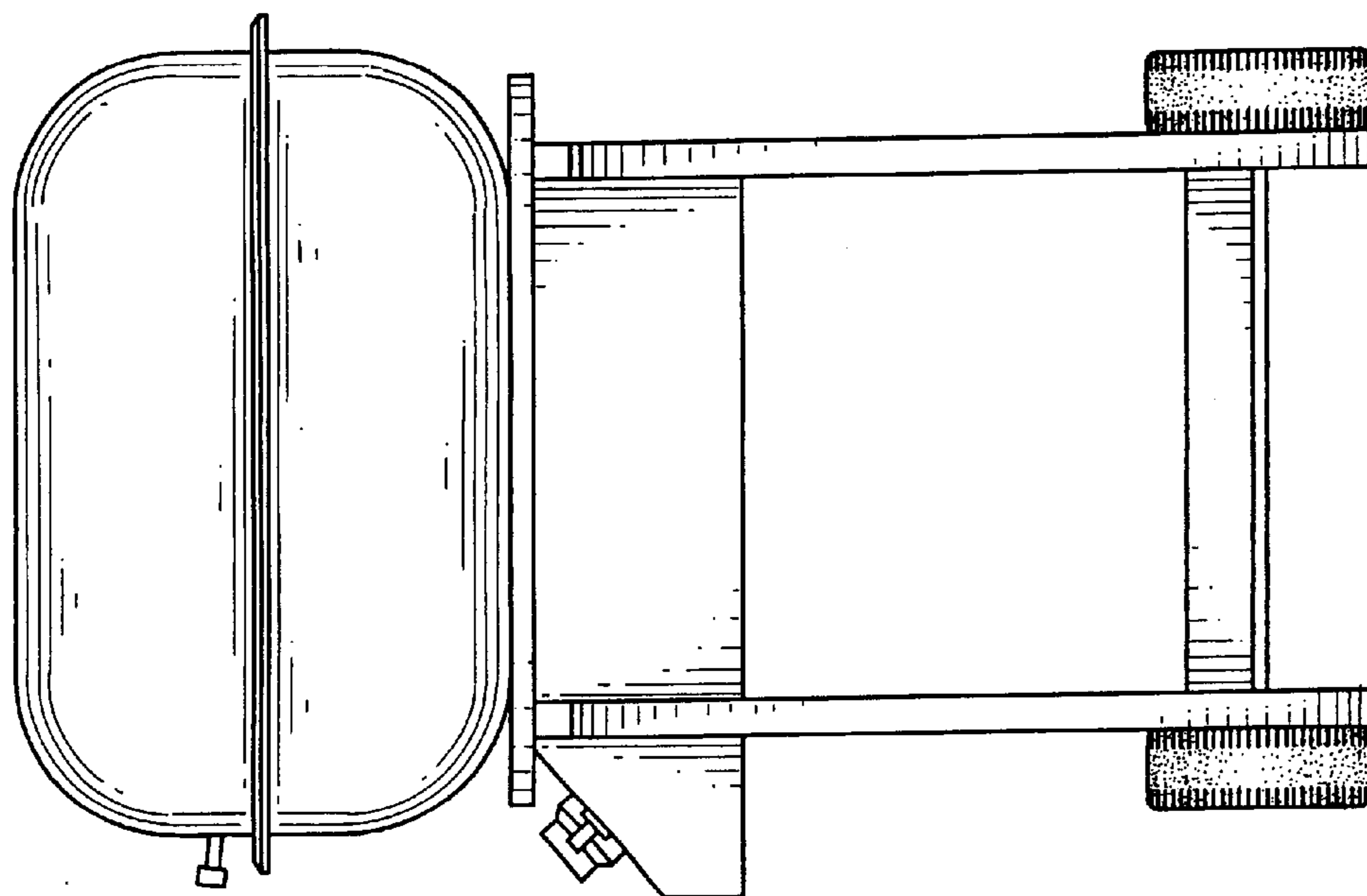


FIG. 5

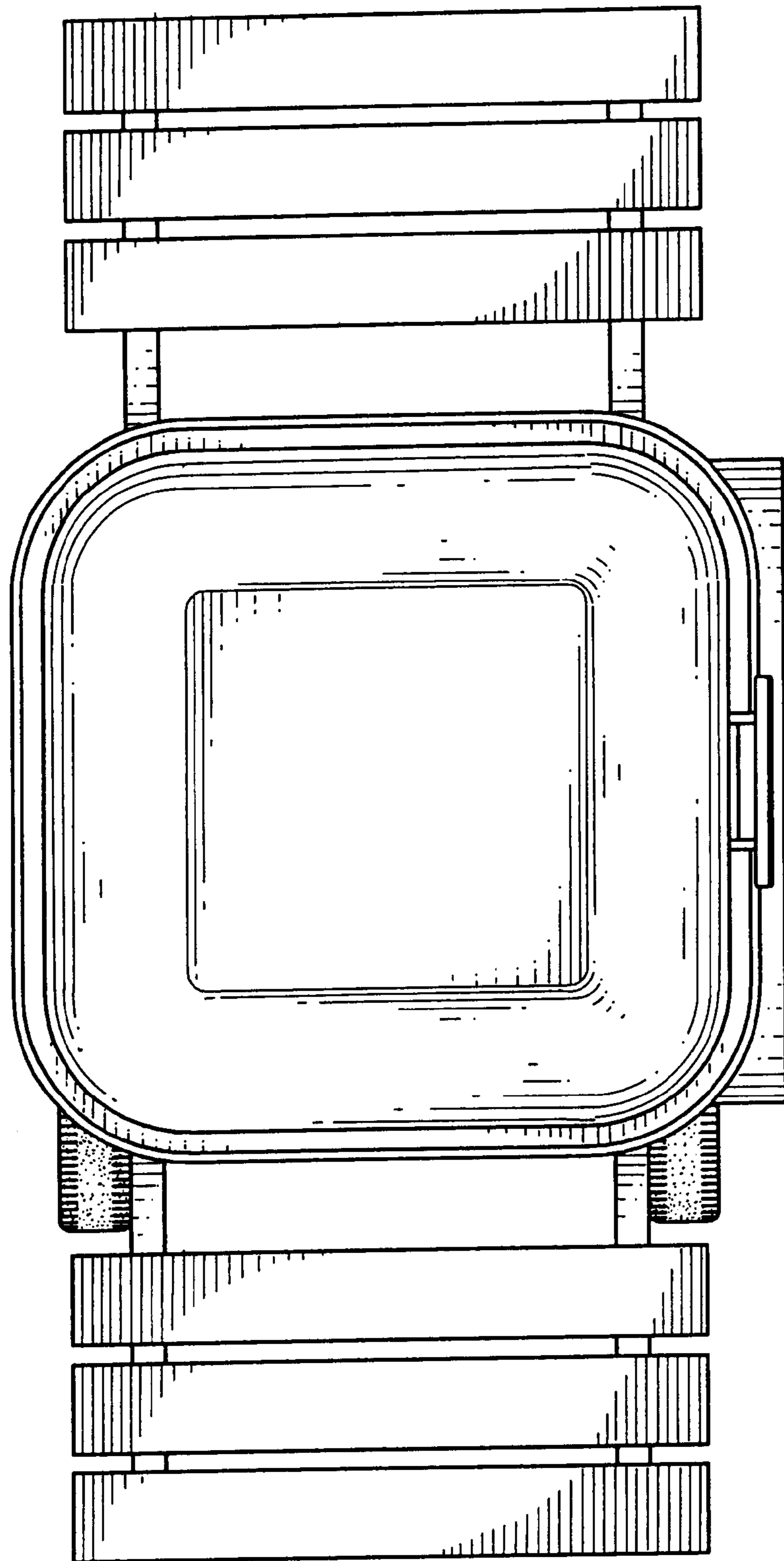


FIG. 6

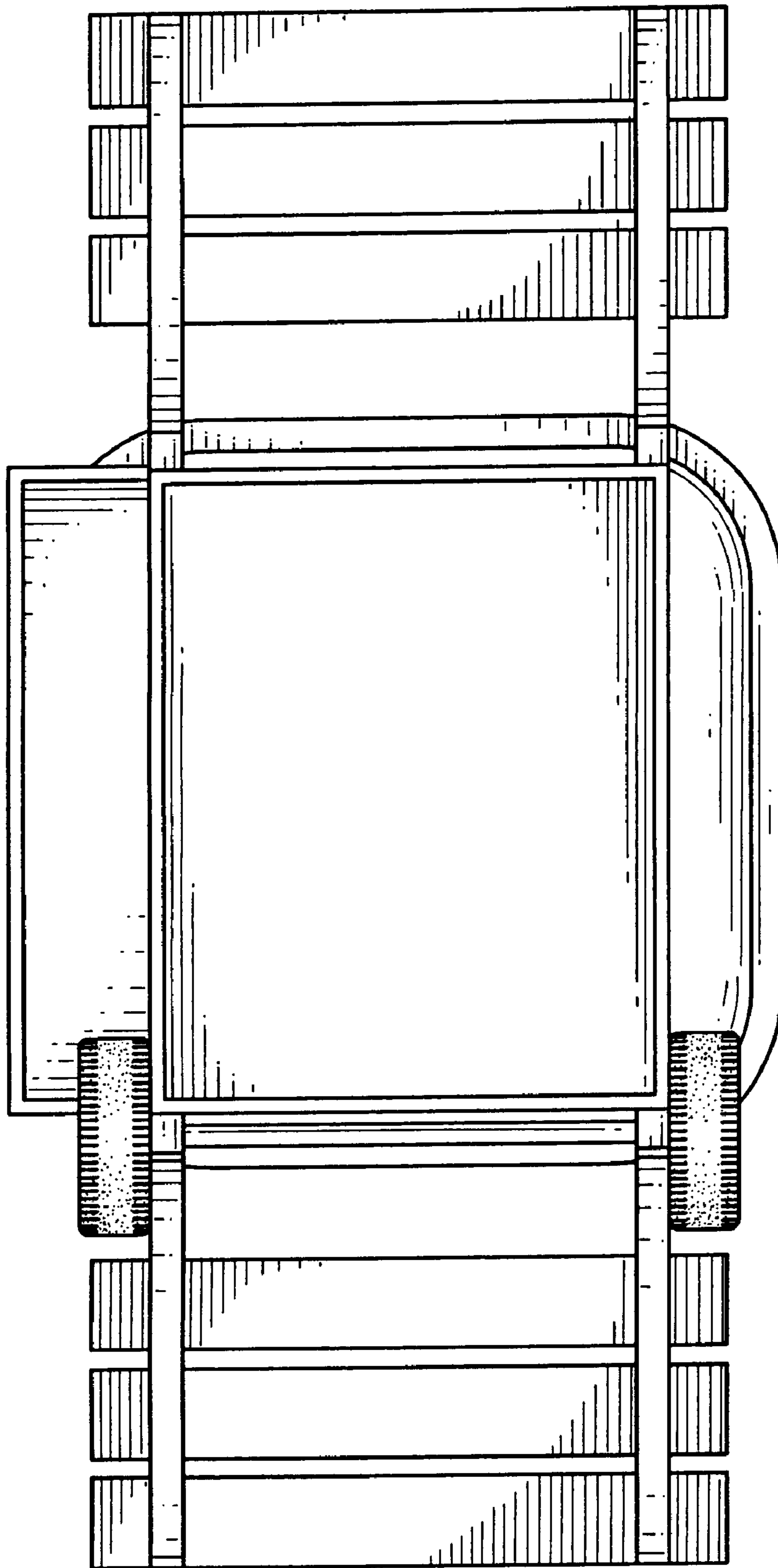


FIG. 7