



US00D478460S

(12) **United States Design Patent**
Chiu

(10) **Patent No.:** **US D478,460 S**

(45) **Date of Patent:** **** Aug. 19, 2003**

(54) **PORTABLE WATER CONTAINER**

(75) Inventor: **Brian Chiu**, Kaohsiung (TW)

(73) Assignee: **Fuu Hwa Vacuum Bottle Co., Ltd.**,
Tainan (TW)

(**) Term: **14 Years**

(21) Appl. No.: **29/163,104**

(22) Filed: **Jun. 27, 2002**

(51) **LOC (7) Cl.** **07-01**

(52) **U.S. Cl.** **D7/306; D7/313**

(58) **Field of Search** **D7/306, 307, 308,**
D7/312, 313, 300; D9/325; D20/4; D34/39;
222/183, 131, 399, 209, 146.6, 129.1; 220/630;
62/3.64

(56) **References Cited**

U.S. PATENT DOCUMENTS

D153,939 S	*	5/1949	Gunther	D7/313
D157,588 S	*	3/1950	Anderson	D7/313
D199,407 S	*	10/1964	Ernest	D7/313
D200,655 S	*	3/1965	De Fano	D7/313
D217,691 S	*	5/1970	Earp	D7/313
D222,505 S	*	10/1971	Carr	D7/313
3,910,461 A	*	10/1975	Eager	222/131

D242,834 S	*	12/1976	Little	D7/313
4,993,229 A	*	2/1991	Baus et al.	62/3.64
D419,362 S	*	1/2000	Bouhuys	D7/306
D431,145 S	*	9/2000	Woebcke et al.	D7/306
D436,282 S	*	1/2001	Kauzlarich et al.	D7/306
D443,792 S	*	6/2001	Peters et al.	D7/306
D464,226 S	*	10/2002	Lassota et al.	D7/306
D471,054 S	*	3/2003	Gantt	D7/313

* cited by examiner

Primary Examiner—M. N. Pandozzi

(74) *Attorney, Agent, or Firm*—Ladas & Parry

(57) **CLAIM**

The ornamental design for portable water container, as shown and described.

DESCRIPTION

FIG. 1 is a perspective view of portable water container showing my new design;

FIG. 2 is a front elevational view thereof;

FIG. 3 is a rear elevational view thereof;

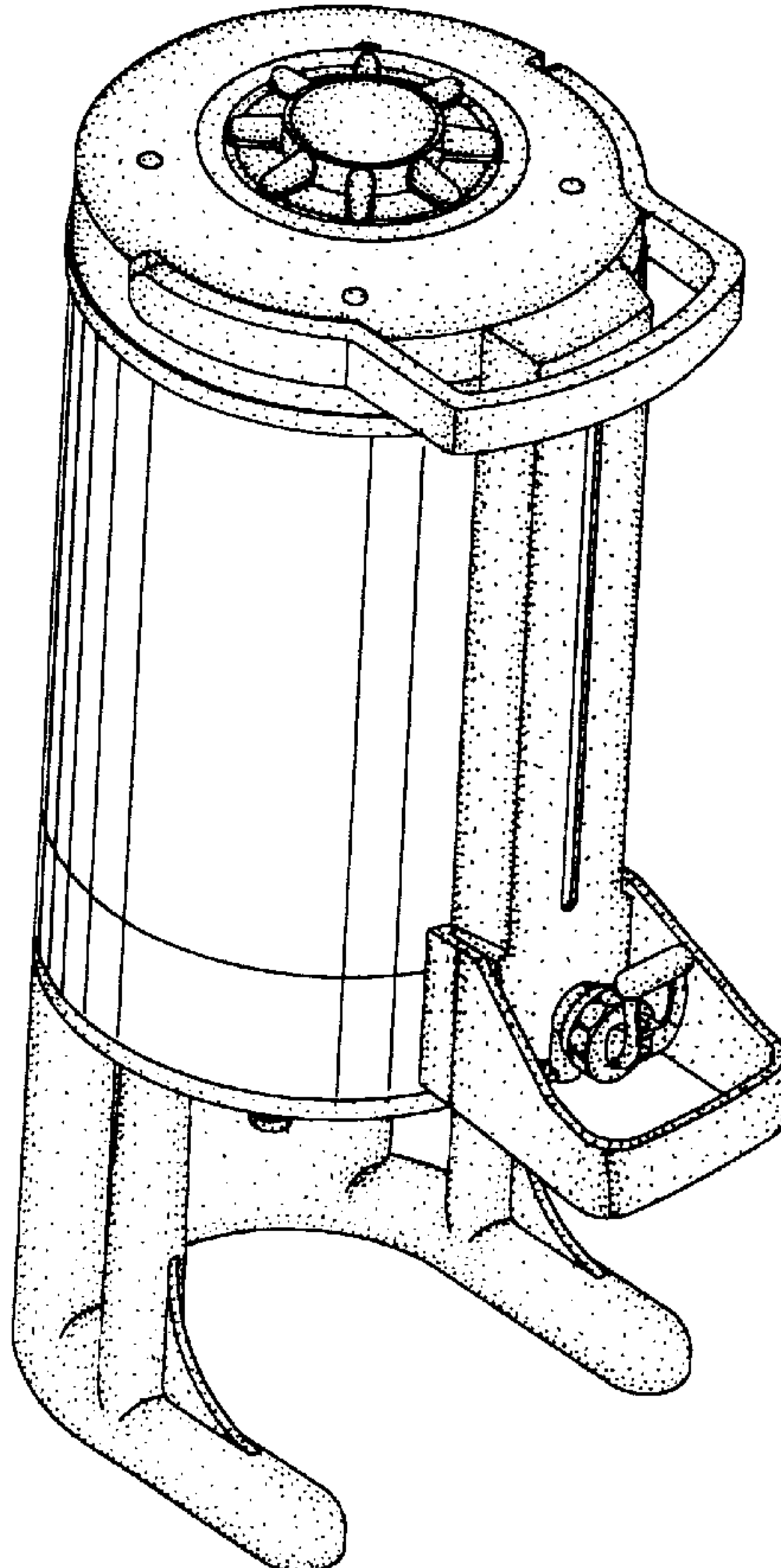
FIG. 4 is a left side elevational view thereof;

FIG. 5 is a right side elevational view thereof;

FIG. 6 is a top plan view thereof; and,

FIG. 7 is a bottom plan view thereof.

1 Claim, 4 Drawing Sheets



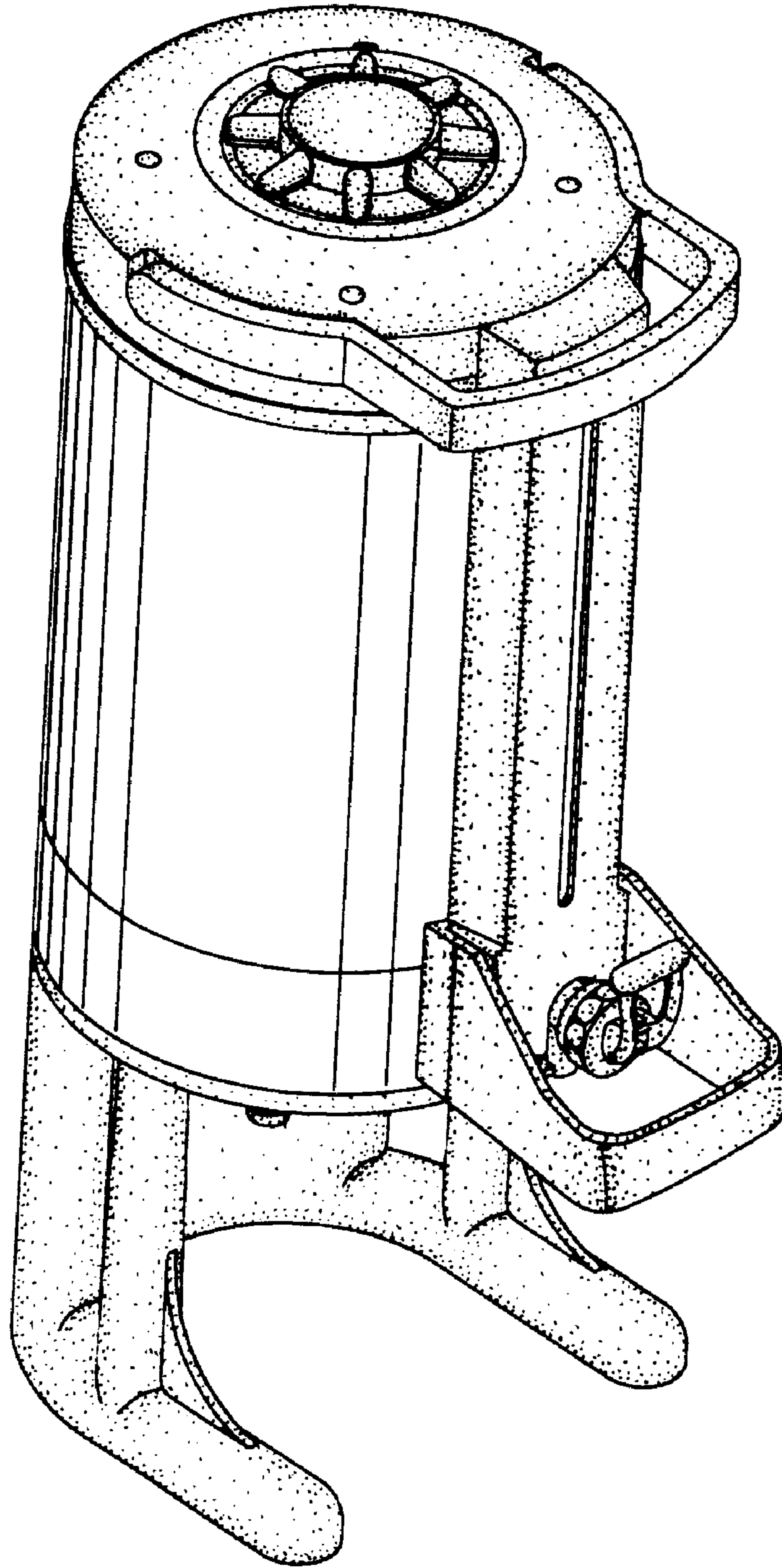


FIG. 1

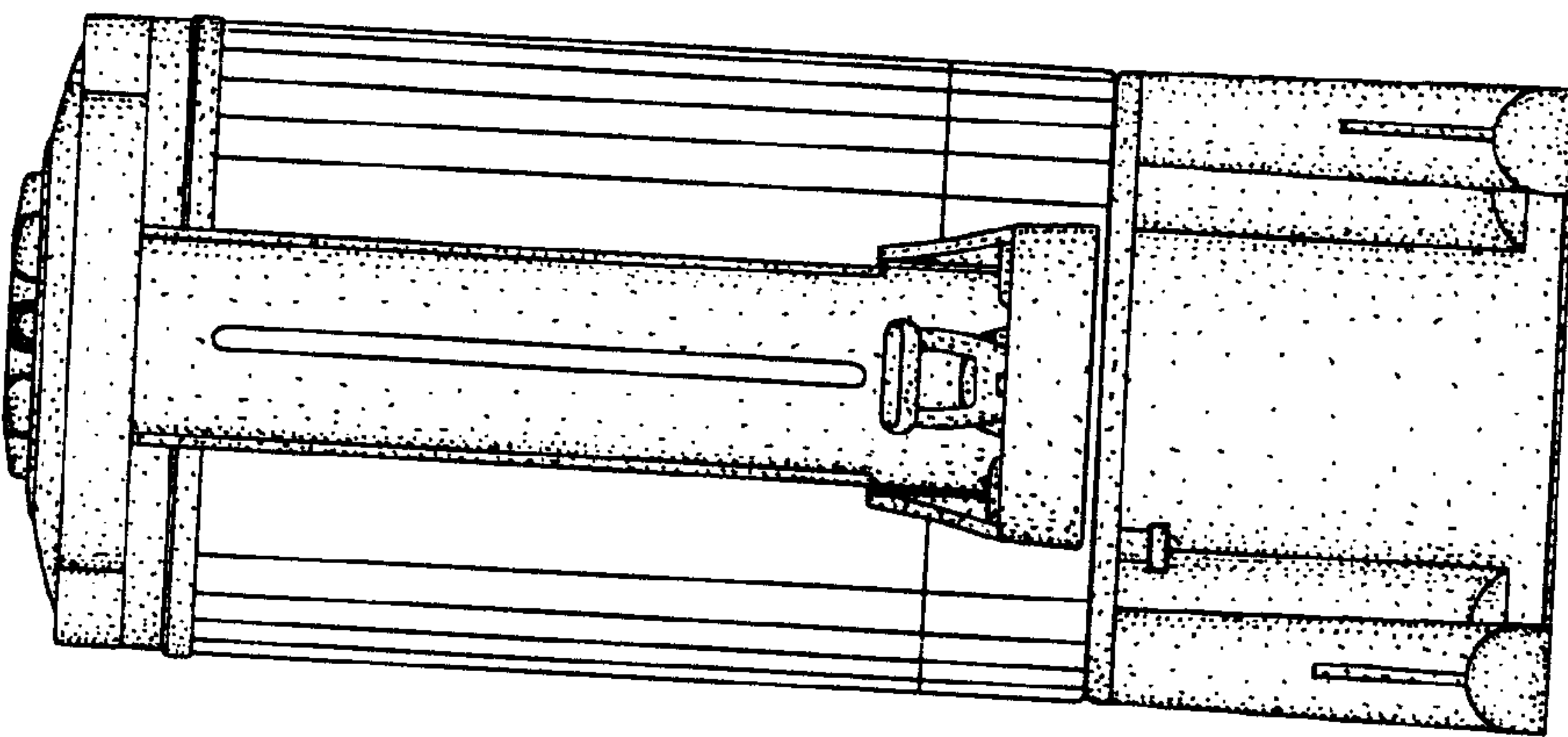


FIG. 2

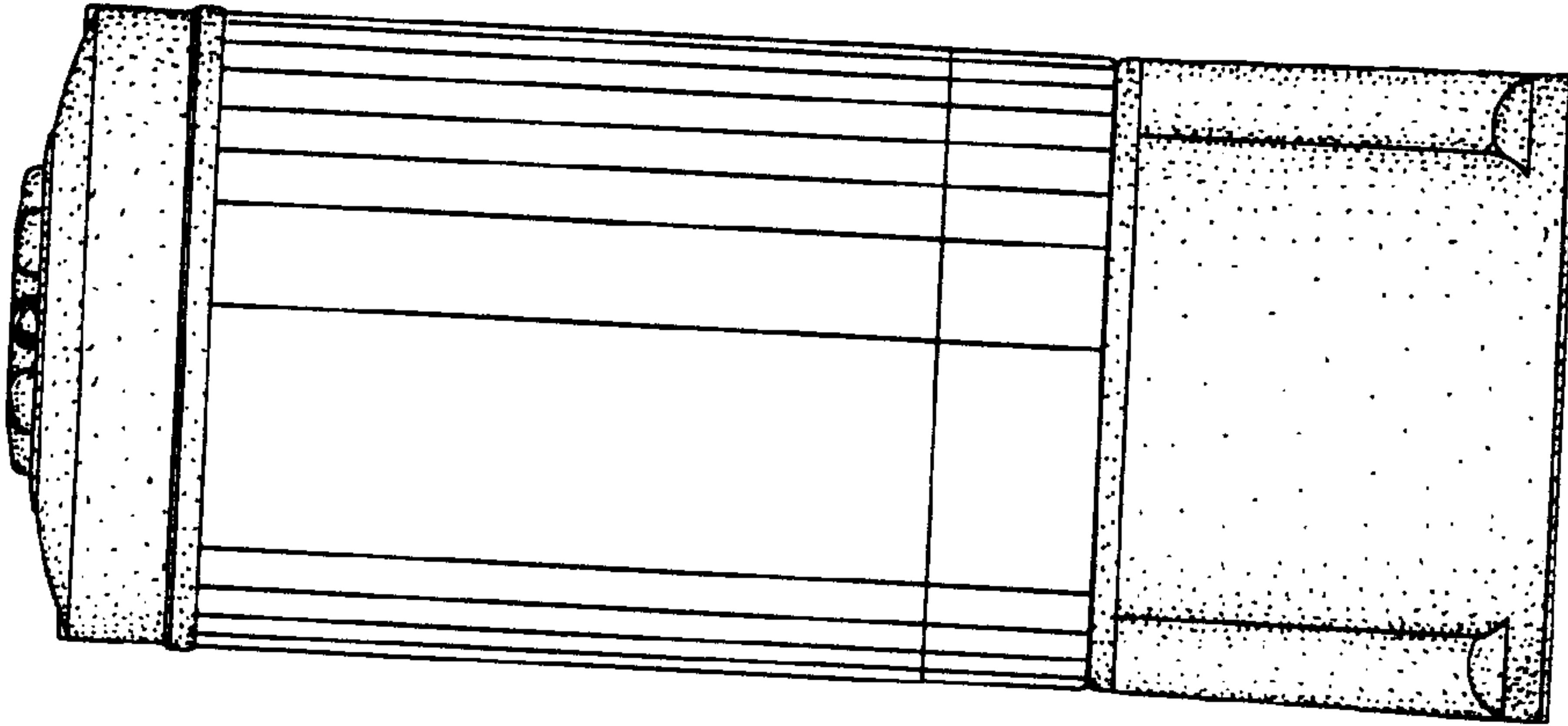


FIG. 3

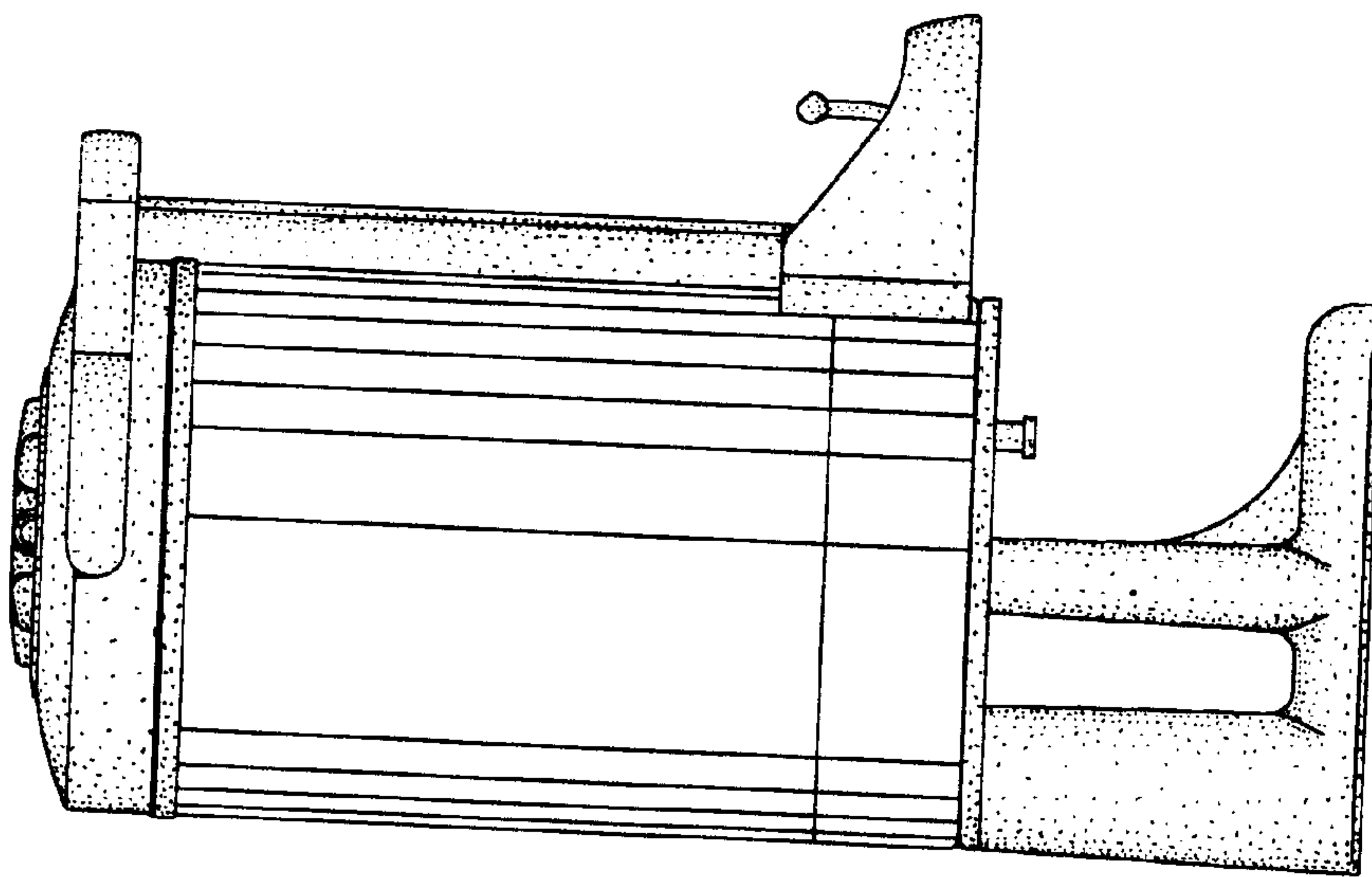


FIG. 4

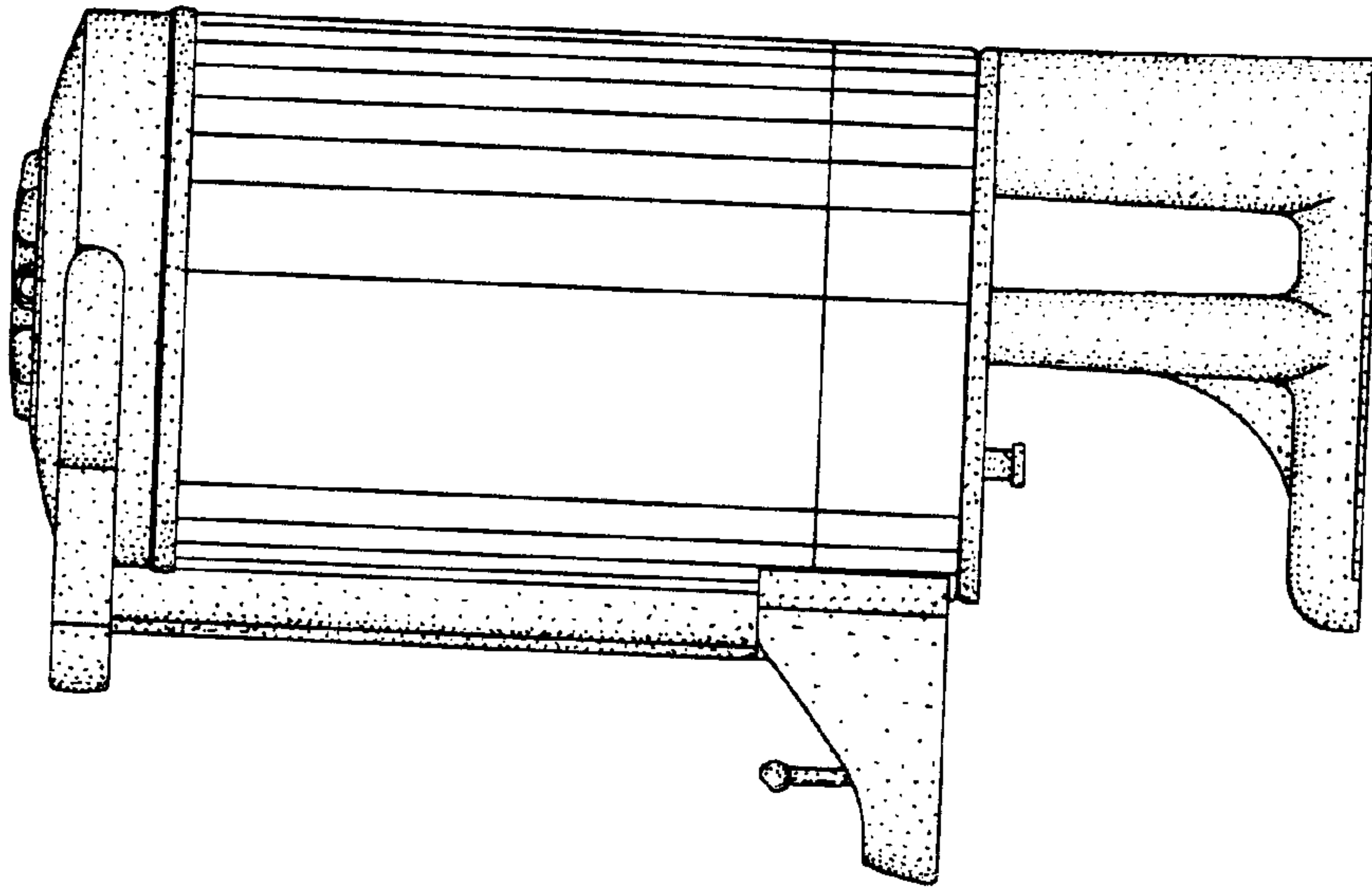


FIG. 5

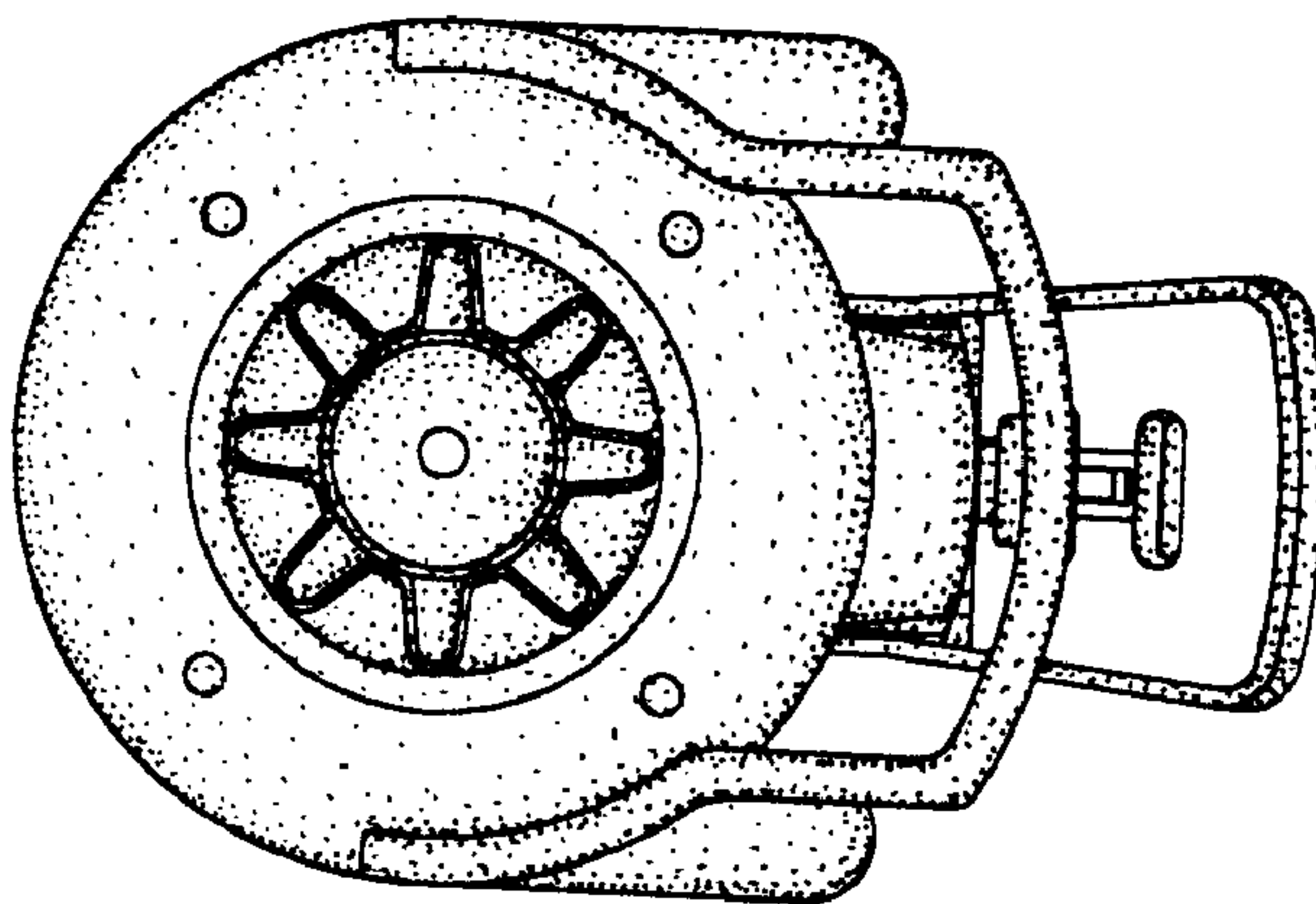


FIG. 6

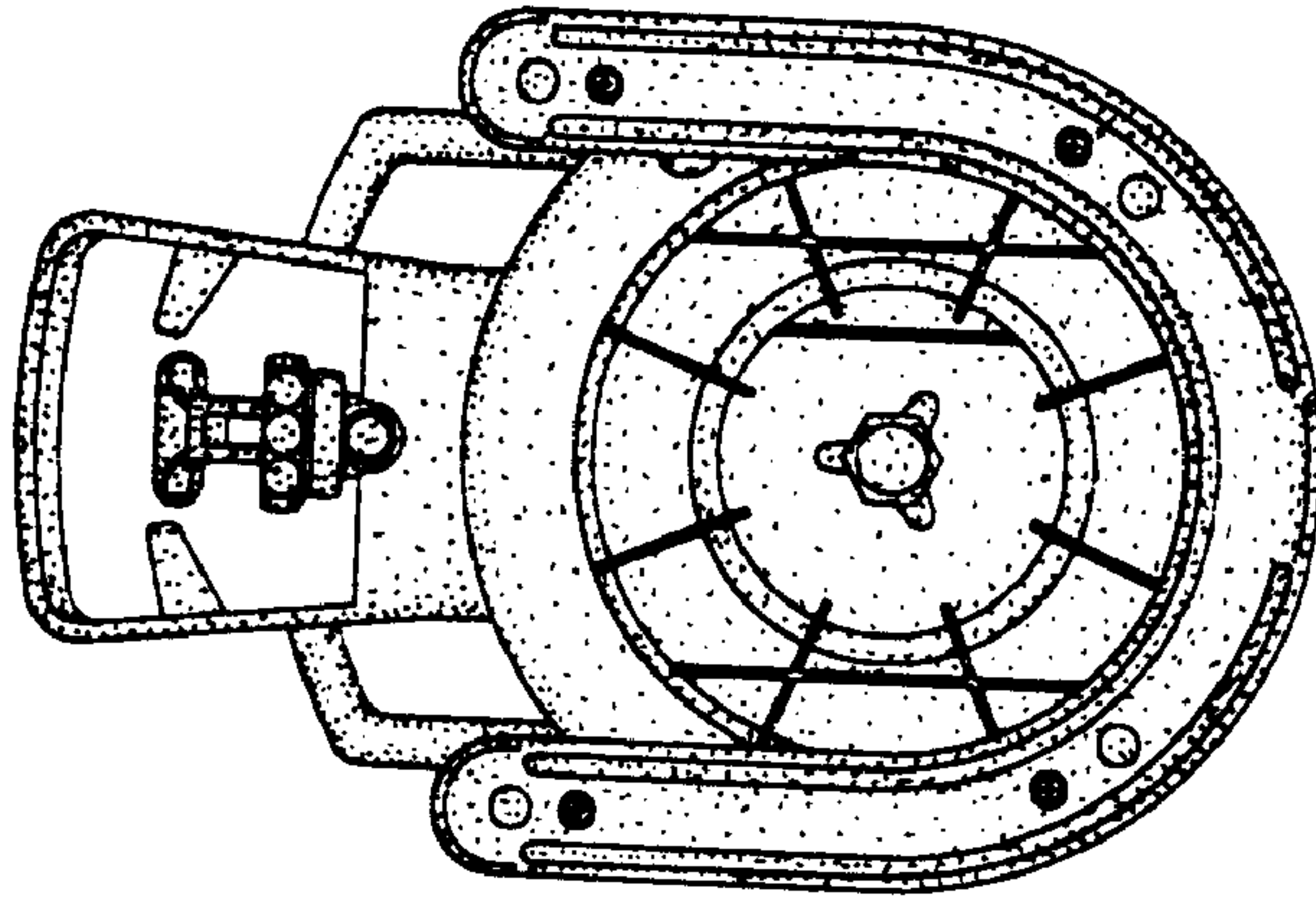


FIG. 7