



US00D478455S

(12) **United States Design Patent**  
**Papazian**

(10) **Patent No.:** **US D478,455 S**

(45) **Date of Patent:** **\*\* Aug. 19, 2003**

(54) **BEACH TOWEL**

(75) **Inventor:** **Christine Papazian**, 57 Castlefield Avenue, Toronto, Ontario (CA), M4R 1G5

(73) **Assignee:** **Christine Papazian**, Toronto (CA)

(\*\*) **Term:** **14 Years**

(21) **Appl. No.:** **29/162,345**

(22) **Filed:** **Jun. 12, 2002**

(30) **Foreign Application Priority Data**

Dec. 13, 2001 (CA) ..... 2001-3003

(51) **LOC (7) Cl.** ..... **06-13**

(52) **U.S. Cl.** ..... **D6/608; D6/596**

(58) **Field of Search** ..... D6/595, 596, 597, D6/598, 599, 601, 602, 603, 604, 608, 609, 611, 612; 5/417, 418, 419, 420, 482, 485, 490, 495, 496, 497, 499, 500, 512, 907, 945, 946; 297/228.1, 229, 452.41

(56) **References Cited**

**U.S. PATENT DOCUMENTS**

1,222,563	A	*	4/1917	Rosenberg	.....	D6/596
1,237,243	A	*	8/1917	Conner	.....	5/420
2,420,344	A	*	5/1947	Alexander	.....	5/417
D258,035	S	*	1/1981	Fenwick	.....	D6/603
D264,165	S	*	5/1982	McVeigh	.....	D6/596
4,466,516	A	*	8/1984	Sicoli et al.	.....	D6/596
4,634,618	A	*	1/1987	Greer et al.	.....	5/417
D292,461	S		10/1987	Shuckman	.....	D6/608
4,789,247	A	*	12/1988	Schnoor	.....	D6/596
D312,371	S	*	11/1990	Lawson	.....	D6/595
D313,142	S	*	12/1990	Truell	.....	5/419
D316,648	S	*	5/1991	McHale et al.	.....	D6/596
5,457,829	A	*	10/1995	Elliott	.....	5/485
5,729,846	A	*	3/1998	Sullivan	.....	5/419
5,730,529	A	*	3/1998	Fritz et al.	.....	5/417
5,774,912	A	*	7/1998	Dominique	.....	5/417

6,061,849 A \* 5/2000 Seals ..... 5/417  
6,129,452 A \* 10/2000 Hakulin ..... 5/417

\* cited by examiner

*Primary Examiner*—Doris V. Coles

*Assistant Examiner*—T. Chase Nelson

(74) *Attorney, Agent, or Firm*—Vidas, Arrett & Steinkraus PA

(57) **CLAIM**

The ornamental design for beach towel, as shown and described.

**DESCRIPTION**

FIG. 1 is a perspective view of a first embodiment of the design with pillow inflated.

FIG. 2 is a perspective view of the first embodiment of the design with side pockets full.

FIG. 3 is a perspective view of the first embodiment of the design with pillow deflated.

FIG. 4 is a perspective view of a second embodiment of the design with ornamental stitching (which facilitates folding) with pillow inflated.

FIG. 5 is a perspective view of the second embodiment of the design with ornamental stitching (which facilitates folding) with side pockets full.

FIG. 6 is a perspective view of the second embodiment of the design with ornamental stitching (which facilitates folding) with pillow deflated.

FIG. 7 is a bottom view of all embodiments of the beach towel.

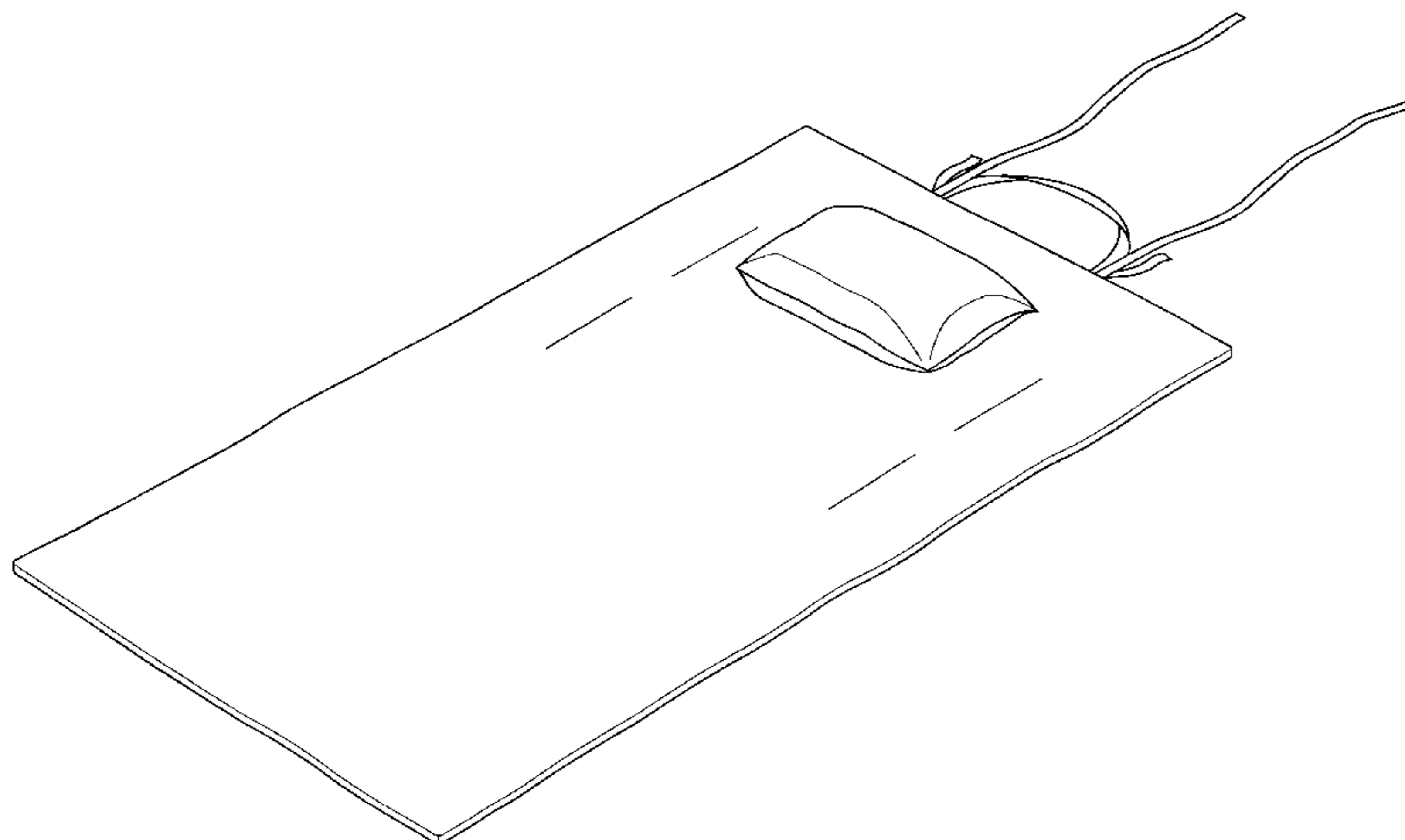
FIG. 8 is an enlarged perspective view of all embodiments of the beach towel rolled up and tied.

FIG. 9 is an enlarged perspective view of all embodiments of the beach towel rolled up and tied, with the top pocket open.

FIG. 10 is a perspective view of a third embodiment of the design showing the pillow detached in an exploded condition; and,

FIG. 11 is a perspective view of the third embodiment of the design with the detachable pillow of the embodiment of FIG. 10 attached.

**1 Claim, 9 Drawing Sheets**



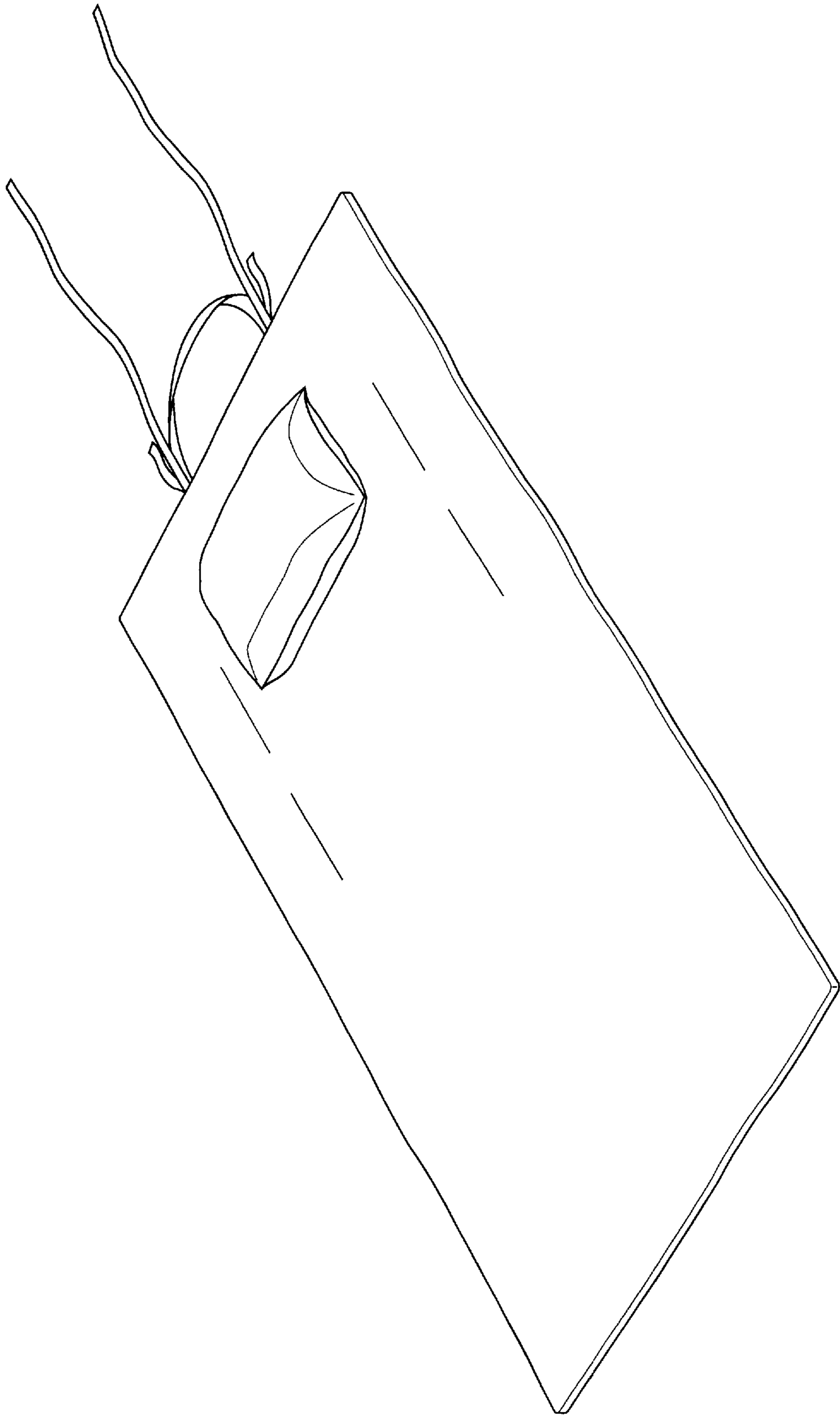


Figure 1

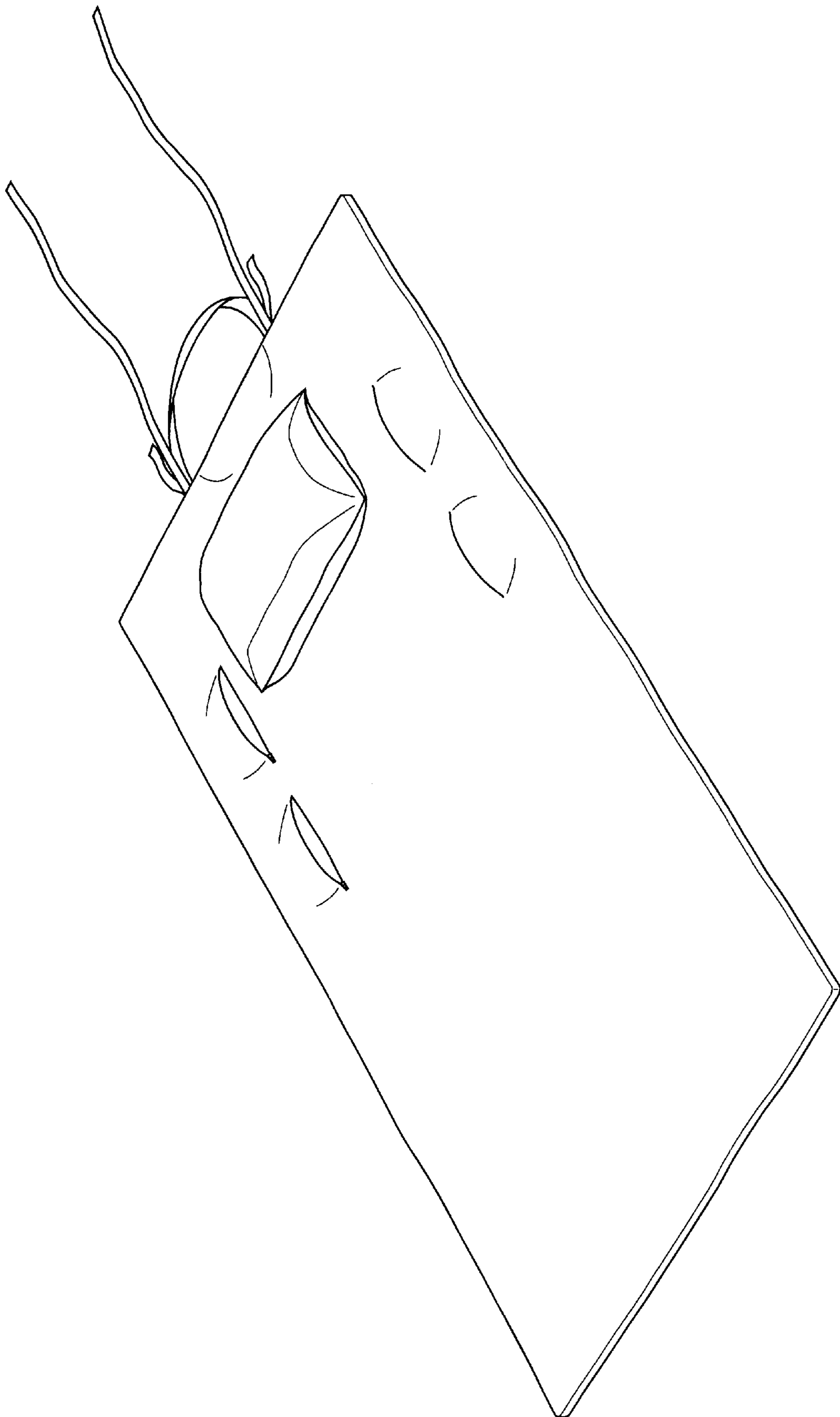


Figure 2

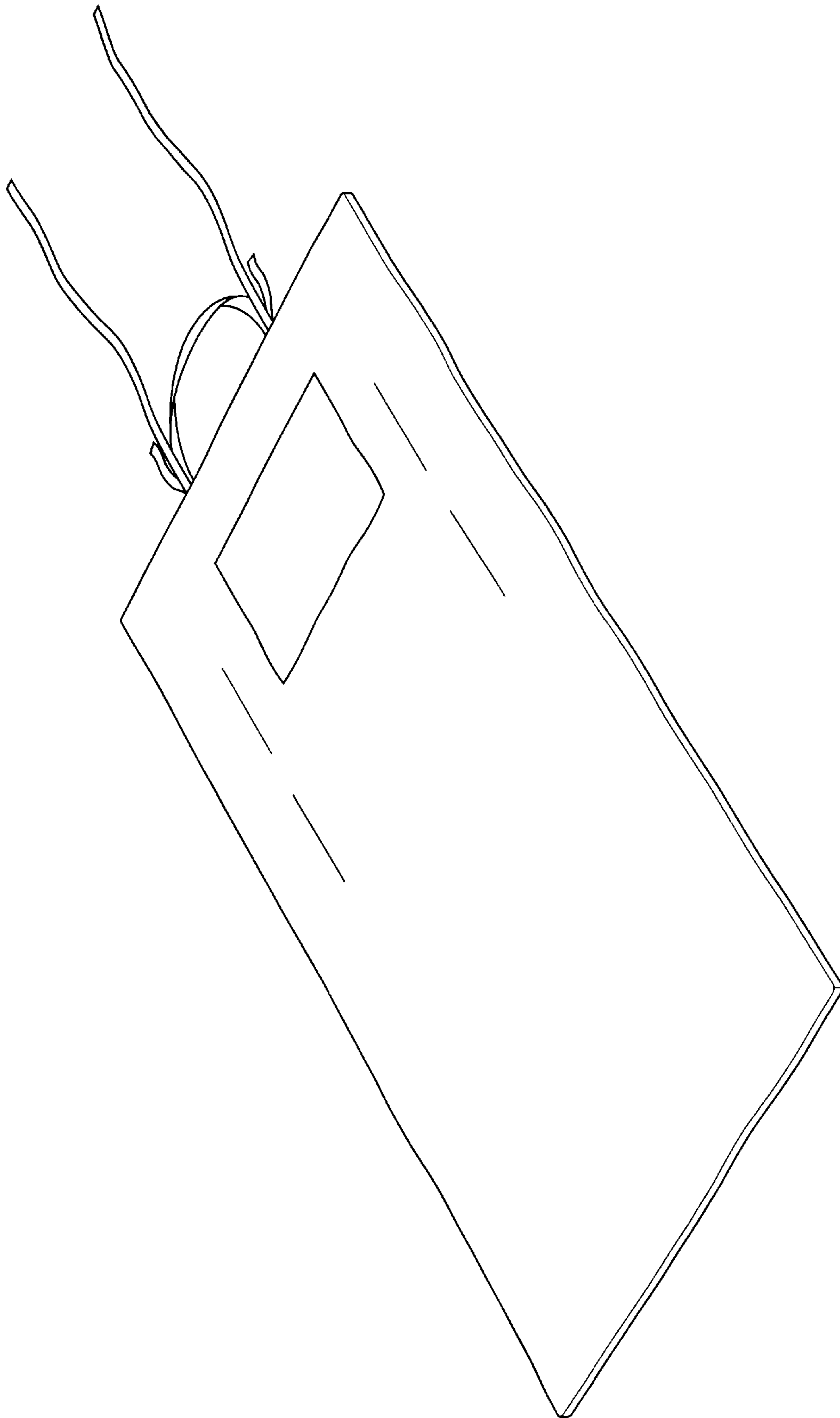


Figure 3

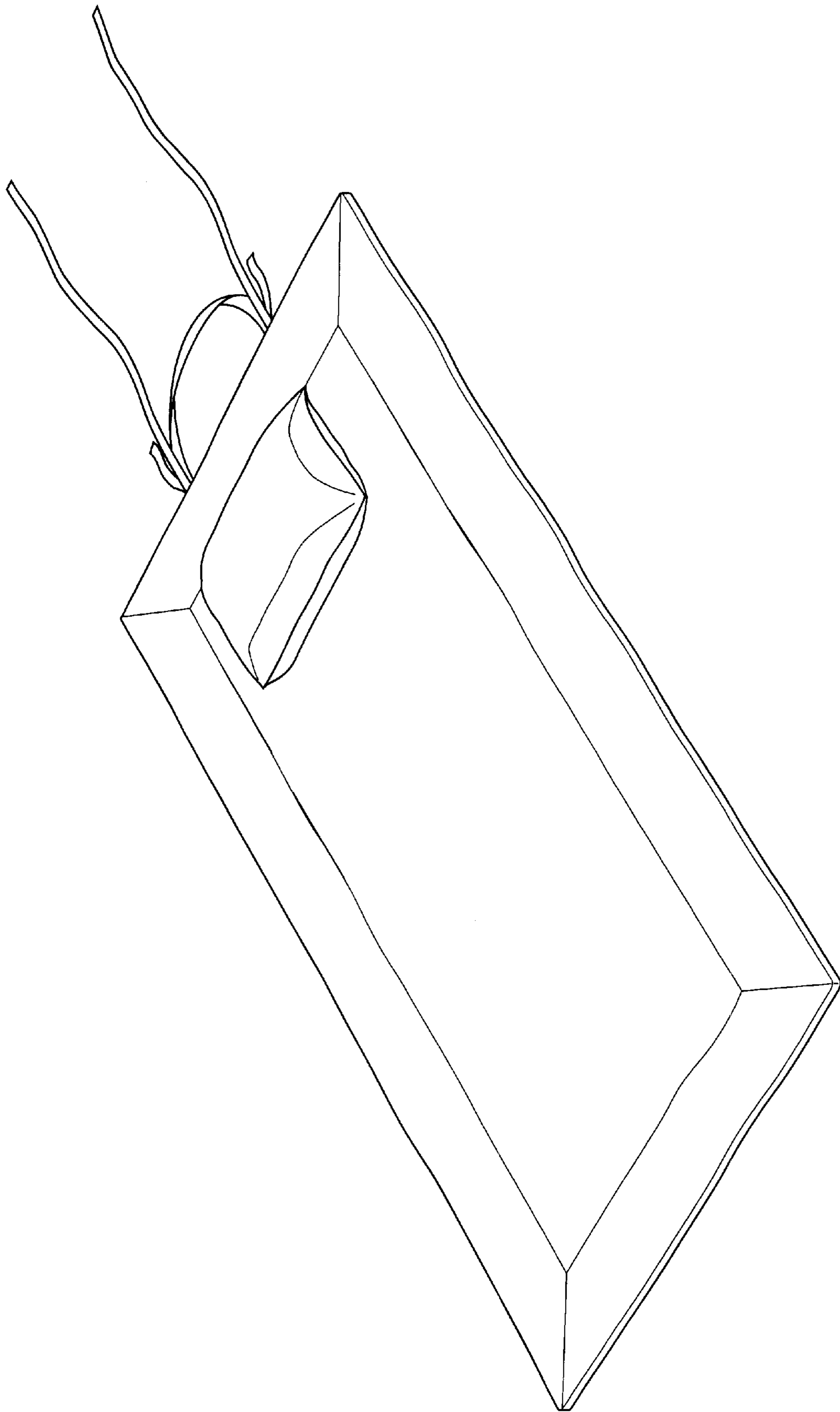


Figure 4



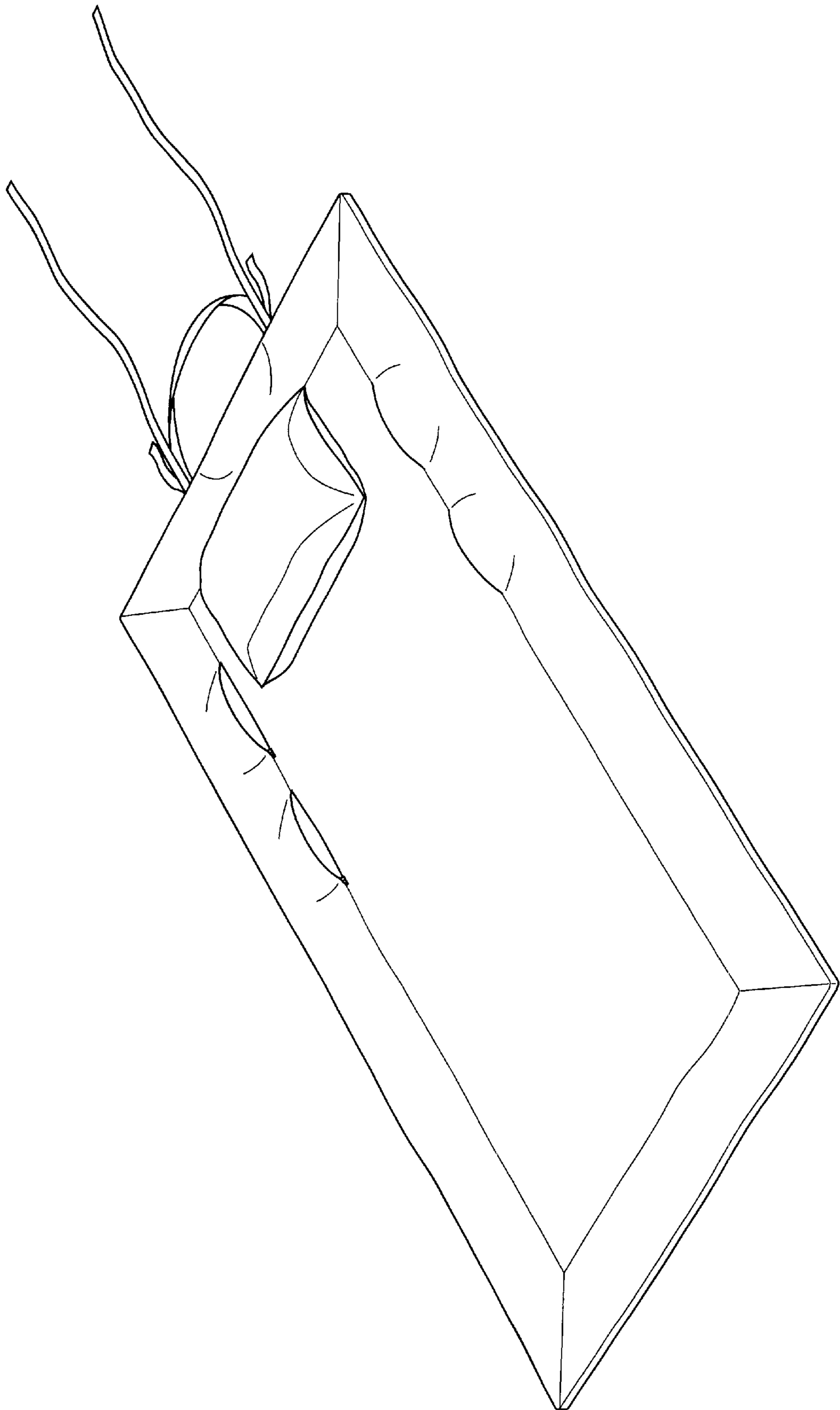


Figure 5

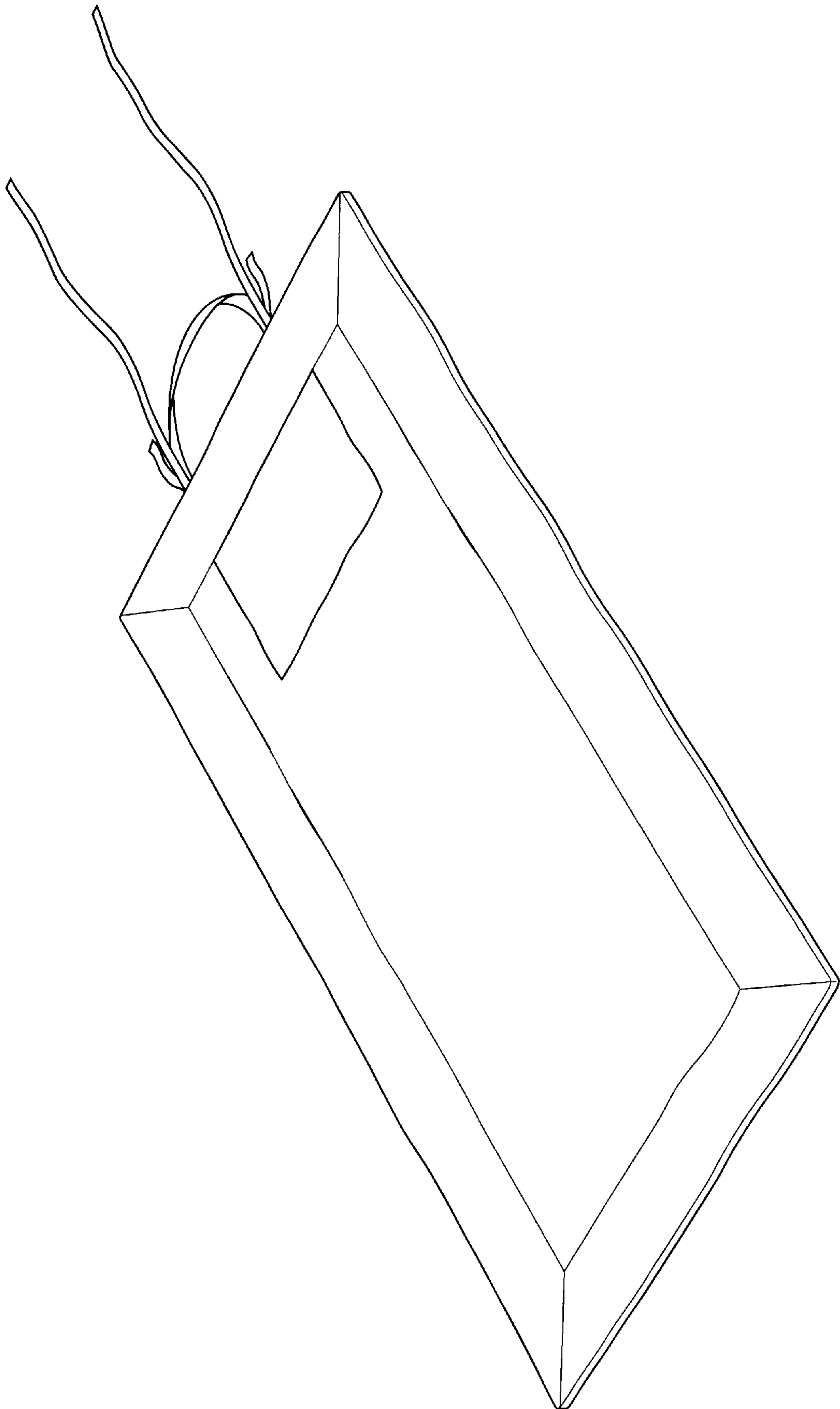


Figure 6

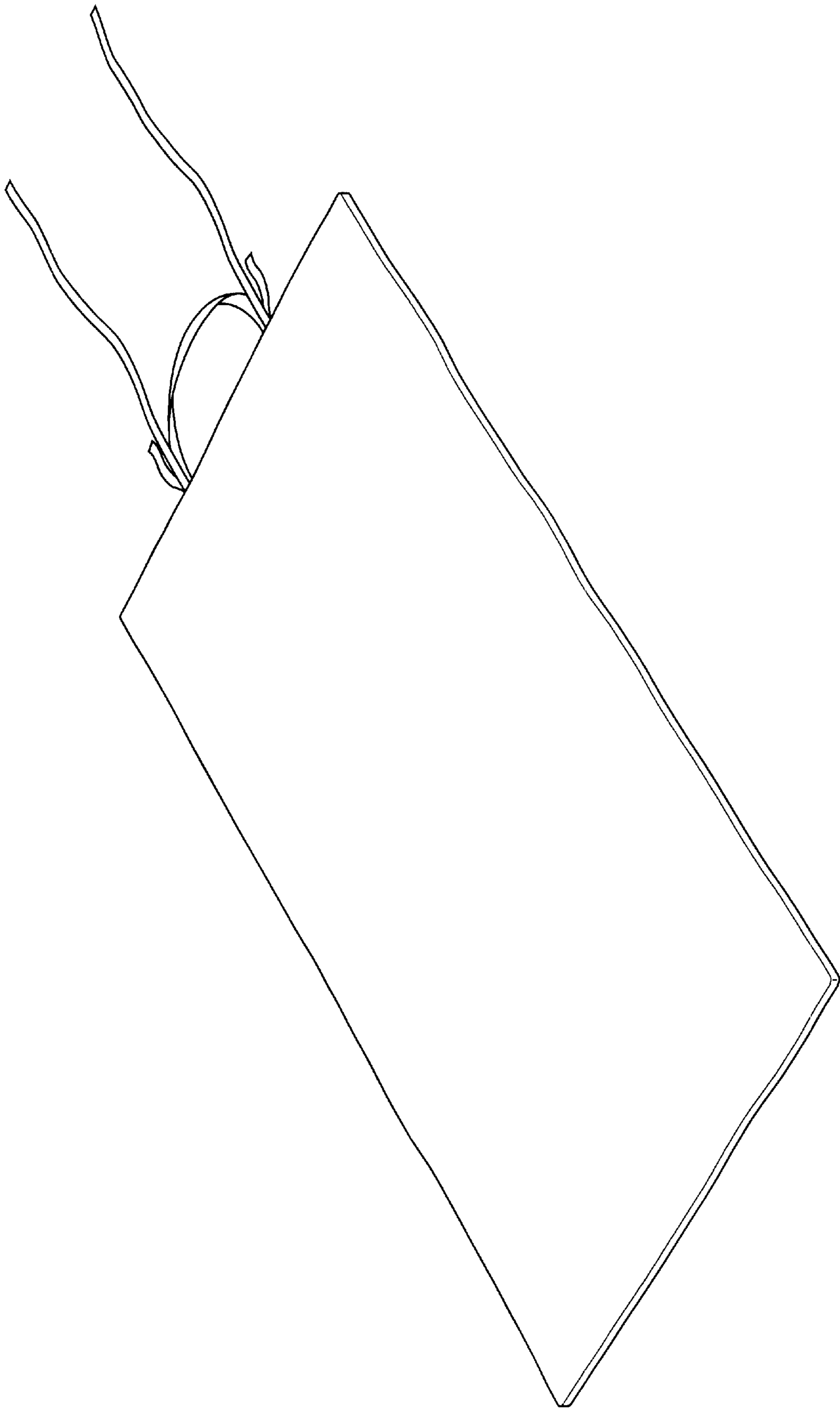


Figure 7



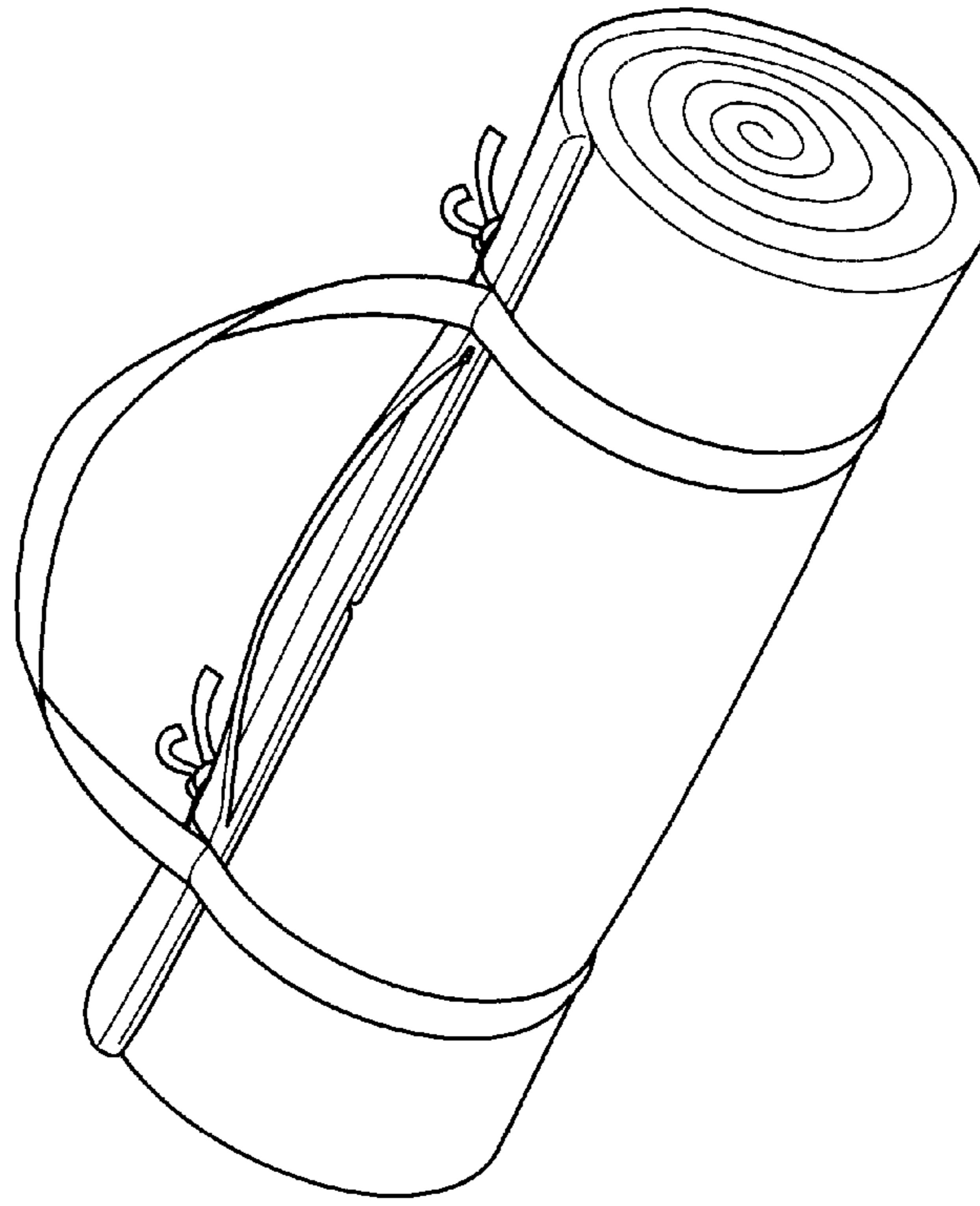


Figure 9

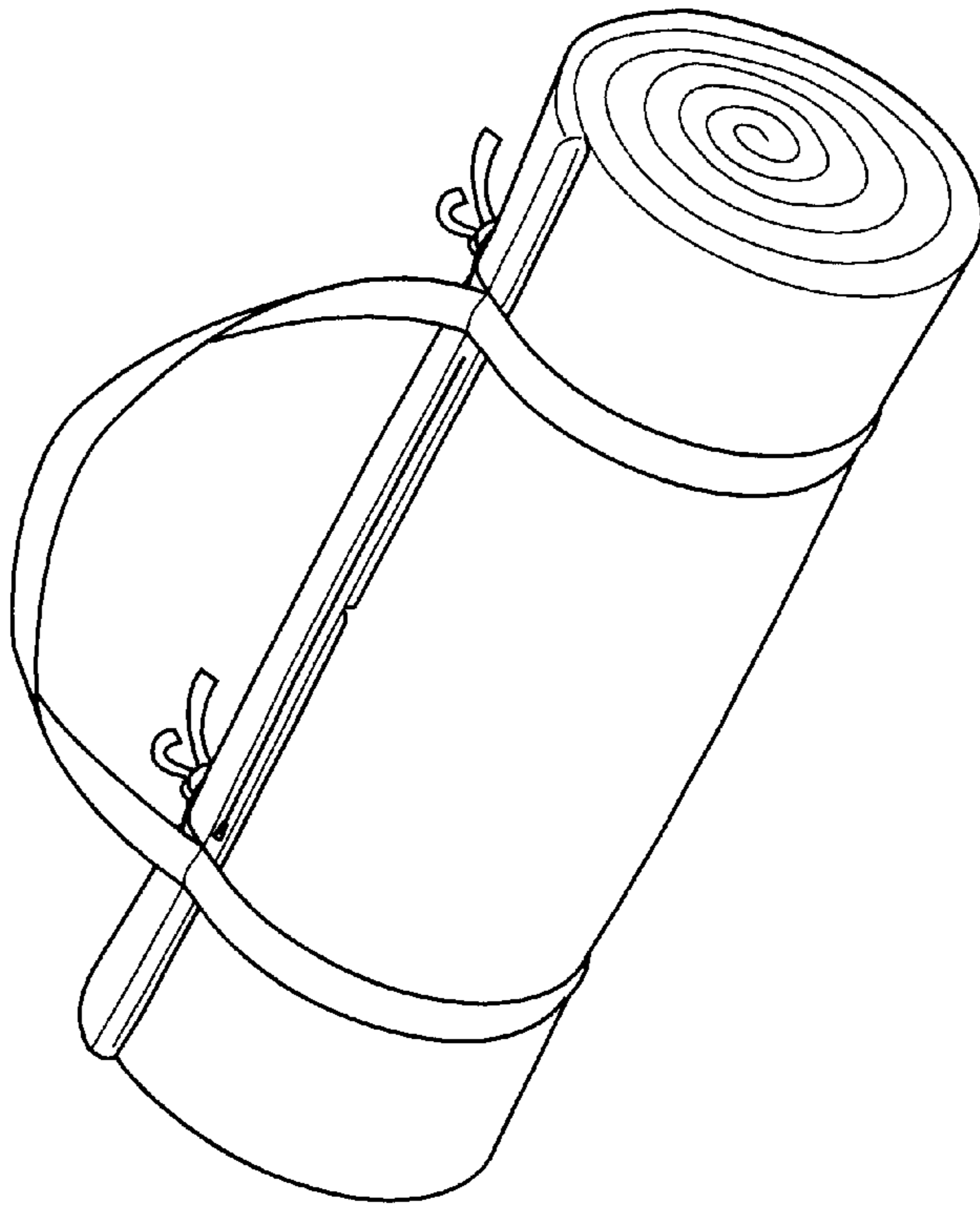


Figure 8

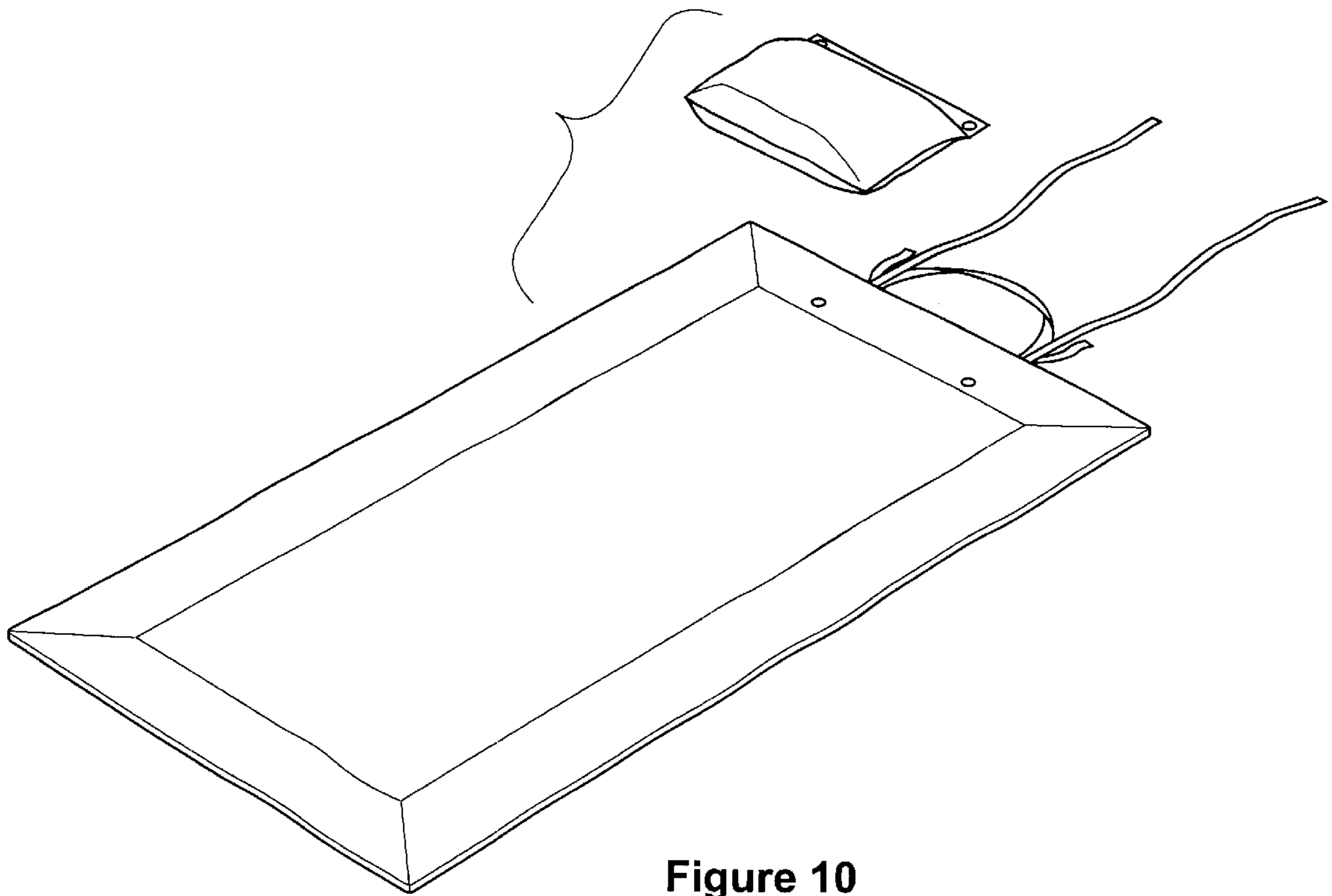


Figure 10

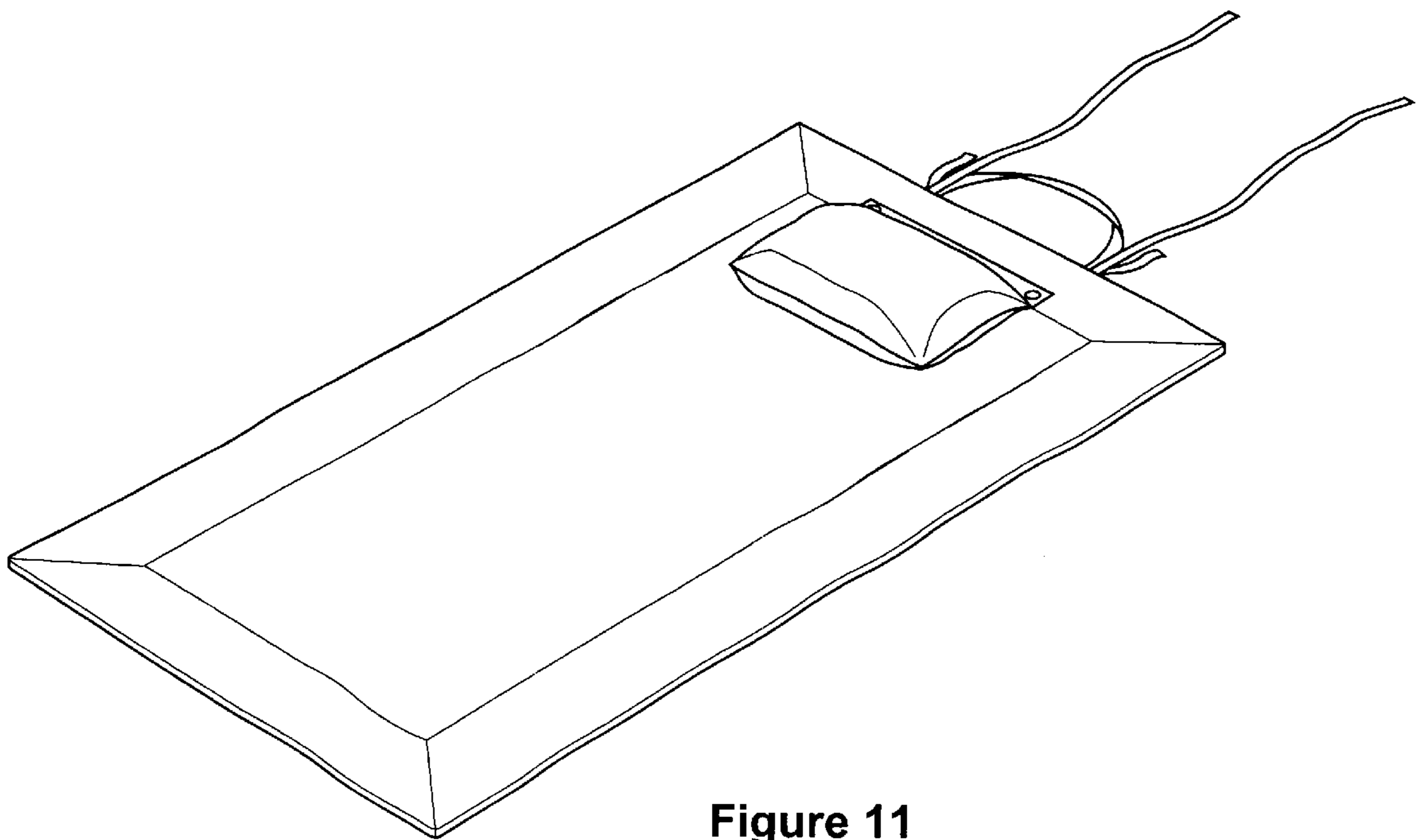


Figure 11