



US00D478451S

(12) **United States Design Patent**
Bergen

(10) **Patent No.:** **US D478,451 S**

(45) **Date of Patent:** **** Aug. 19, 2003**

(54) **HEATED MAT**

6,278,091 B1 * 8/2001 Gooden 219/528

(76) Inventor: **Brian S. Bergen**, 1231 Millville-Oxford Rd., Hamilton, OH (US) 45013

* cited by examiner

(**) Term: **14 Years**

Primary Examiner—Robin V. Taylor

(21) Appl. No.: **29/154,390**

(22) Filed: **Jan. 24, 2002**

(57) **CLAIM**

I claim the ornamental design for a heated mat, as shown and described.

(51) **LOC (7) Cl.** **06-11**

(52) **U.S. Cl.** **D6/583**

(58) **Field of Search** D6/582, 583, 592;
219/528, 529, 213

DESCRIPTION

FIG. 1 is a perspective view of a heated mat, showing my new design;

FIG. 2 is a front elevational view thereof;

FIG. 3 is a rear elevational view thereof;

FIG. 4 is a right side elevational view thereof;

FIG. 5 is a left side elevational view thereof;

FIG. 6 is a top plan view thereof; and,

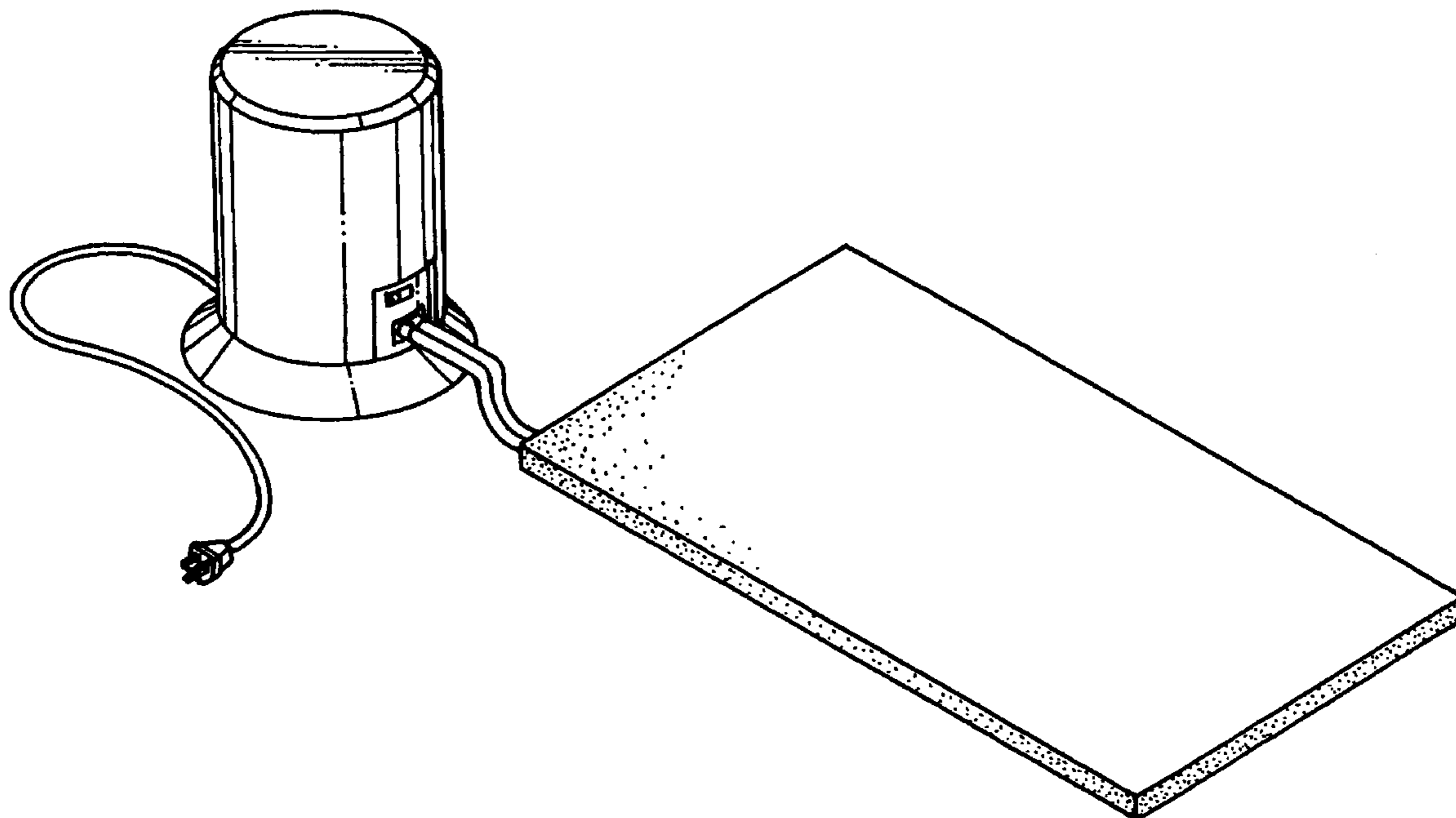
FIG. 7 is a bottom plan view thereof.

(56) **References Cited**

U.S. PATENT DOCUMENTS

5,291,000	A	*	3/1994	Hornberger	219/213
5,451,747	A	*	9/1995	Sullivan et al.	219/528
D406,000	S	*	2/1999	Hartranft	D6/583
5,986,243	A	*	11/1999	Campf	210/529

1 Claim, 4 Drawing Sheets



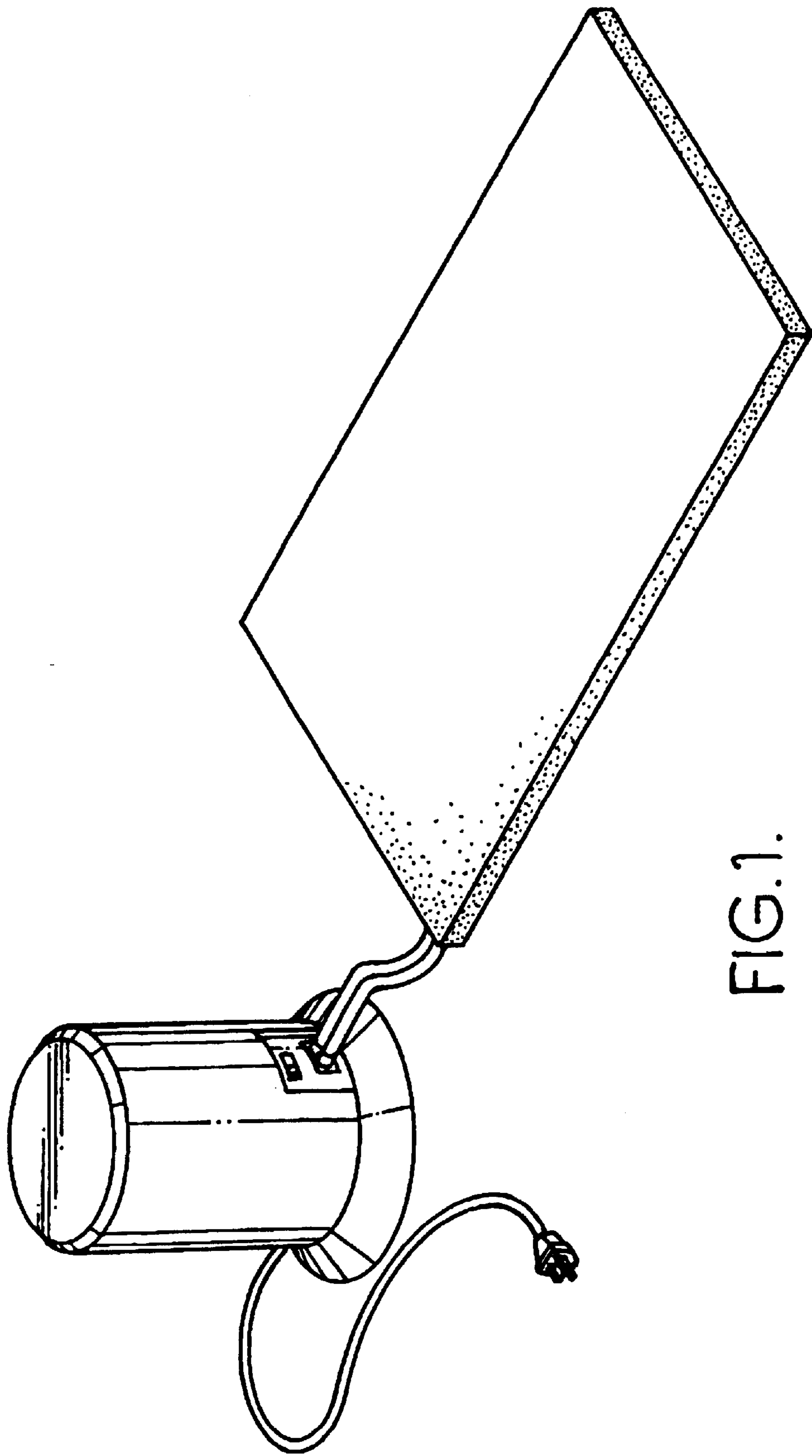
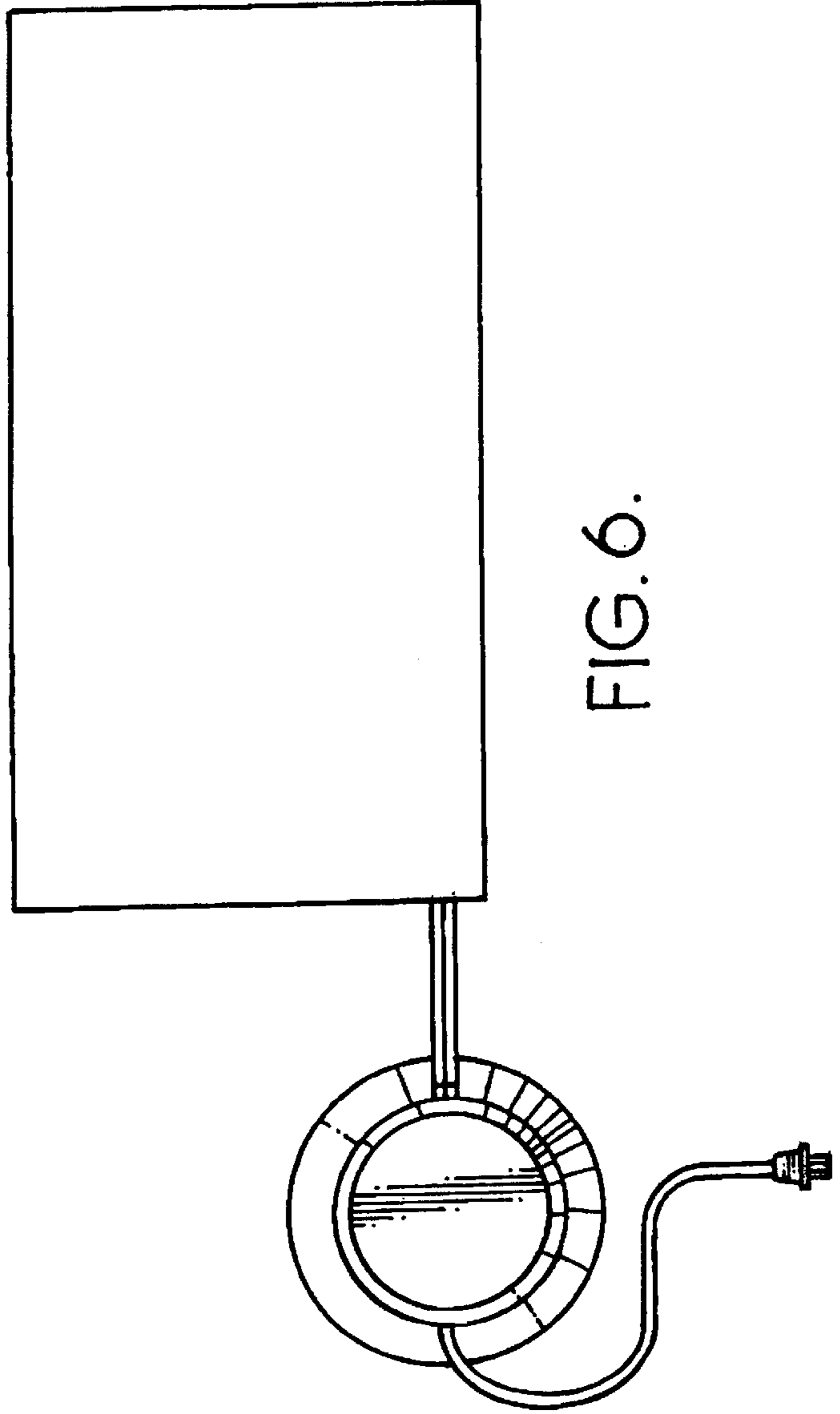
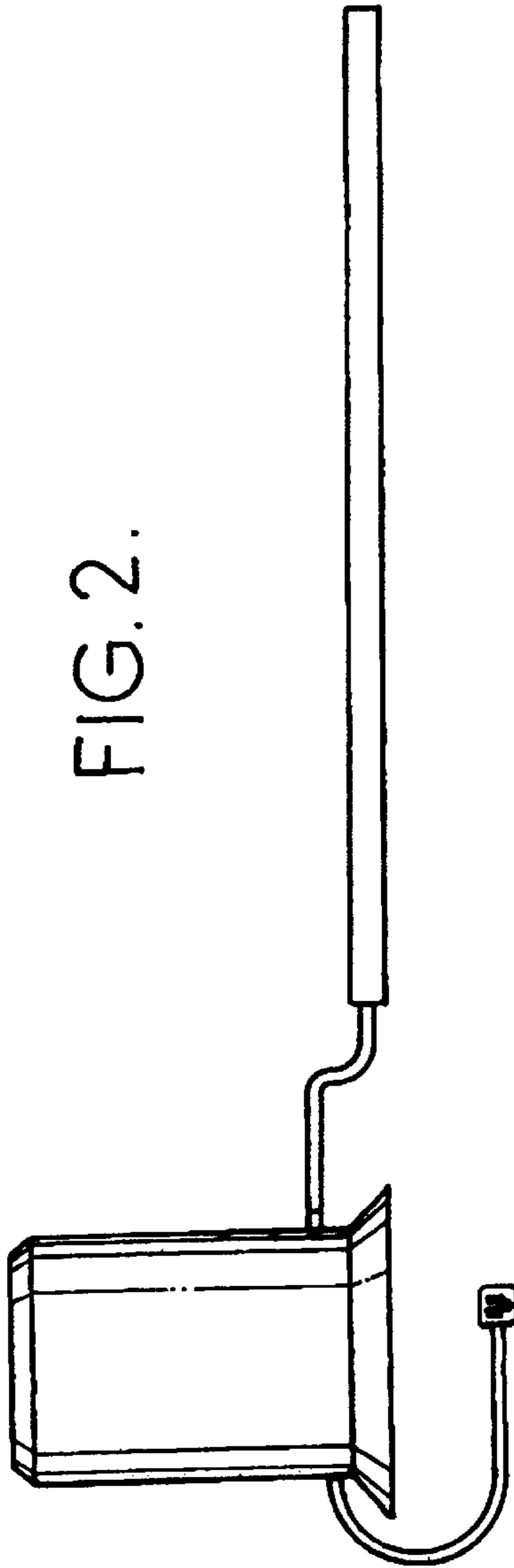


FIG. 1.



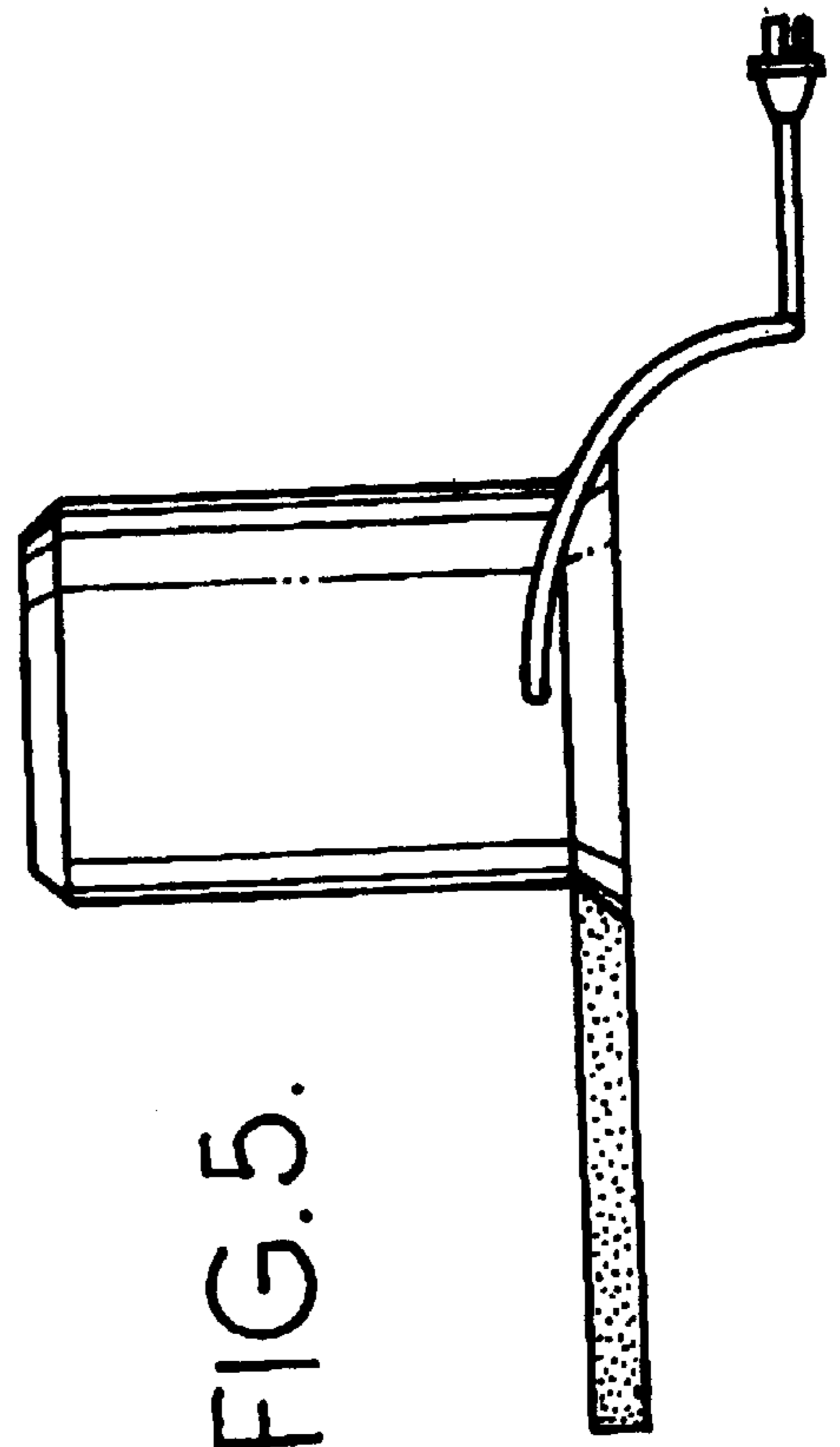
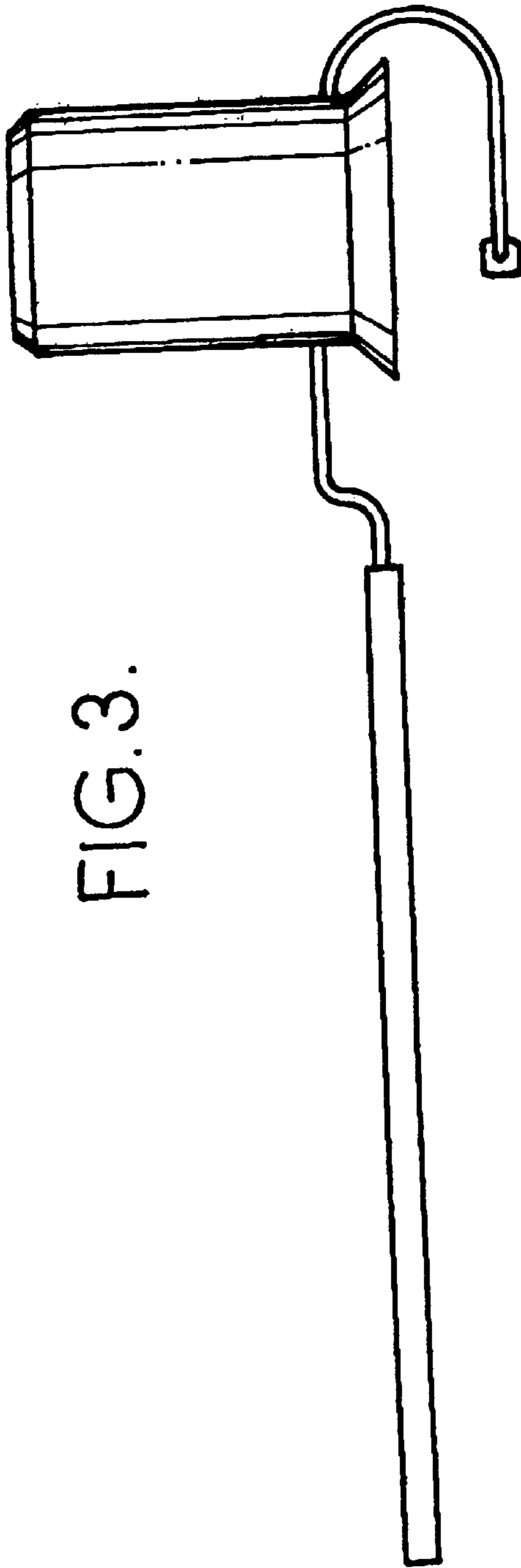


FIG. 4.

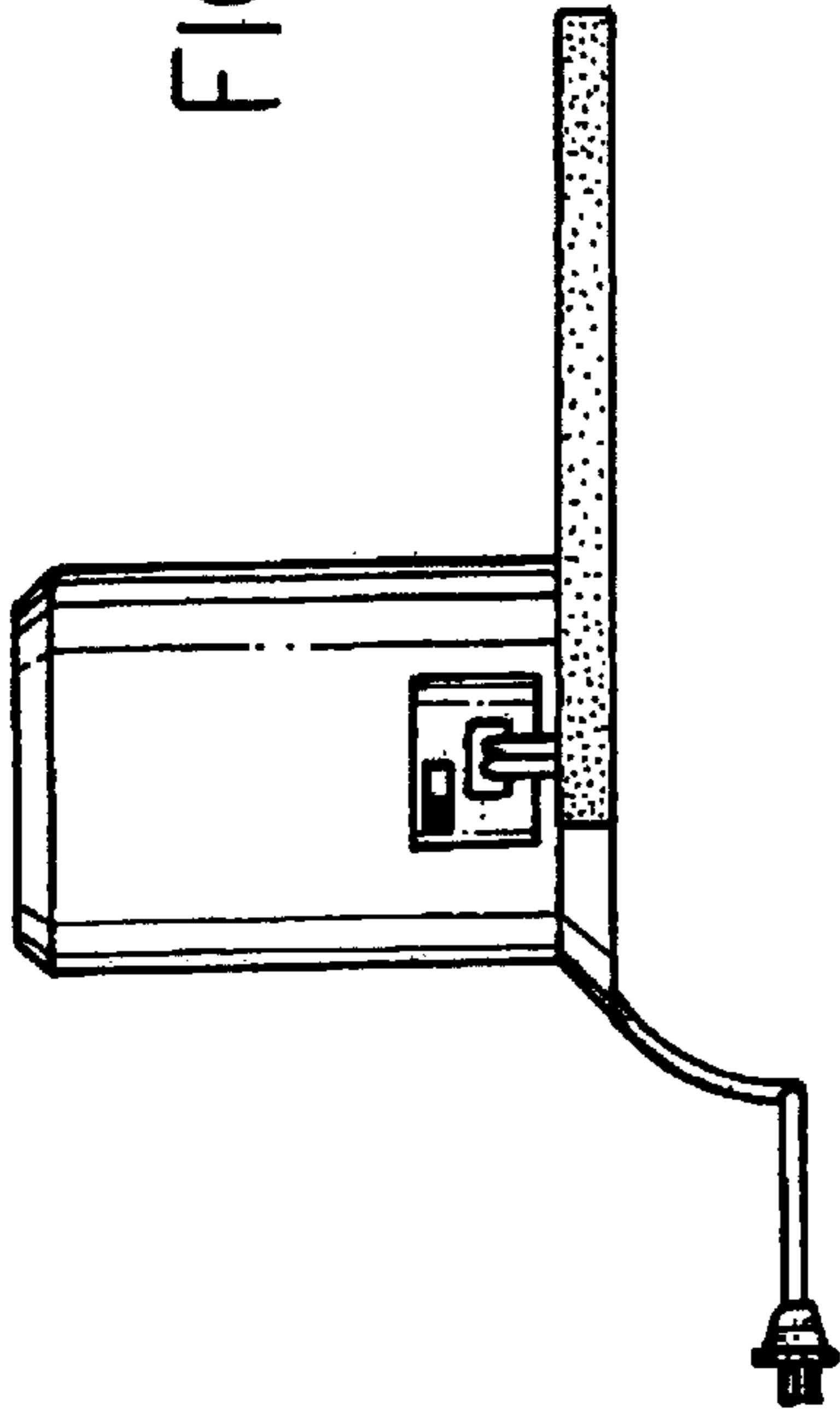


FIG. 7.

