



US00D478450S

(12) **United States Design Patent**
Howard

(10) **Patent No.:** **US D478,450 S**

(45) **Date of Patent:** **** Aug. 19, 2003**

(54) **STRAIGHT KEY TAG RACK**

(76) Inventor: **Raymond W. Howard**, 1133 First St.,
#319, Coronado, CA (US) 92118-1479

(**) Term: **14 Years**

(21) Appl. No.: **29/170,087**

(22) Filed: **Oct. 30, 2002**

Related U.S. Application Data

(63) Continuation-in-part of application No. 29/163,204, filed on
Jun. 27, 2002.

(51) **LOC (7) Cl.** **06-04**

(52) **U.S. Cl.** **D6/569**

(58) **Field of Search** D6/553, 567, 569,
D6/570, 571, 572, 568; D8/349, 363, 367,
370, 371, 380; 206/349; 211/13.1, 85.9;
248/309.1

(56) **References Cited**

U.S. PATENT DOCUMENTS

| | | | | | | |
|-----------|---|---|---------|-----------------|-------|------------|
| 2,889,050 | A | * | 6/1959 | Modrey | | 211/85.9 |
| 4,326,761 | A | * | 4/1982 | Schwartz | | 211/13.1 X |
| D294,791 | S | * | 3/1988 | Loscalzo et al. | | D6/569 |
| D294,792 | S | * | 3/1988 | Zimmerman | | D6/569 |
| 4,771,897 | A | * | 9/1988 | Ho | | 211/85.9 |
| D331,855 | S | * | 12/1992 | Kaplan | | D6/512 |
| D370,816 | S | * | 6/1996 | Hofman et al. | | D6/568 |
| D444,377 | S | * | 7/2001 | Harvey | | D8/371 |
| D459,130 | S | * | 6/2002 | Annan | | D6/553 |

* cited by examiner

Primary Examiner—Brian N. Vinson

(74) *Attorney, Agent, or Firm*—John J. Murphey

(57) **CLAIM**

The ornamental design of a straight key tag rack, as shown and described.

DESCRIPTION

FIG. 1 shows a front perspective view of a two-unit straight key tag rack showing my new design;

FIG. 2 is a front elevational view of the design shown in FIG. 1;

FIG. 3 is a rear elevational view of the design shown in FIG. 1;

FIG. 4 is another embodiment of my invention and shows a front perspective view of a six-unit straight key tag rack showing my new design;

FIG. 5 is a front elevational view of the design shown in FIG. 4;

FIG. 6 is a rear elevational view of the design shown in FIG. 4;

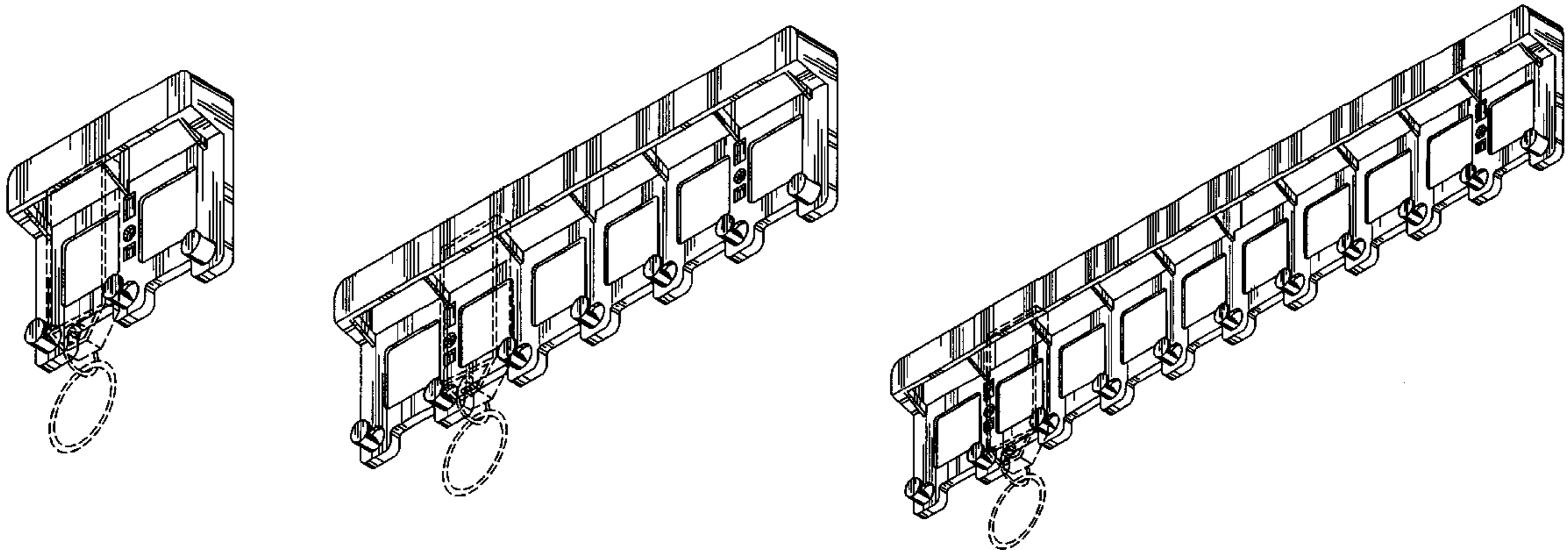
FIG. 7 is another embodiment of my invention and shows a front perspective view of a ten-unit straight key tag rack showing my new design;

FIG. 8 is a front elevational view of the design shown in FIG. 7; and,

FIG. 9 is a rear elevational view of the design shown in FIG. 7.

The broken-line disclosure of key tags in the views are for illustrative purposes only and form no part of the claimed design.

1 Claim, 3 Drawing Sheets



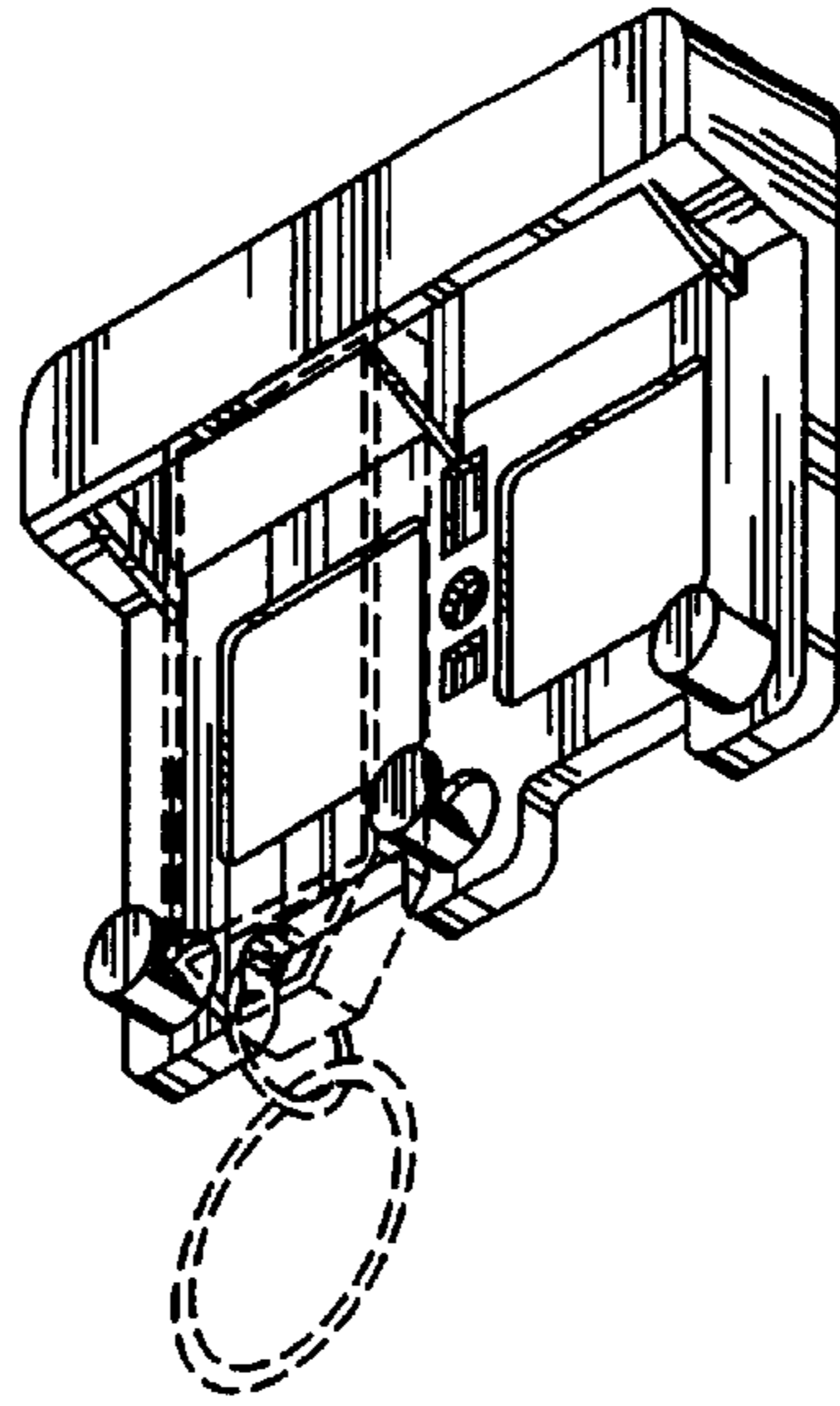


Figure 1

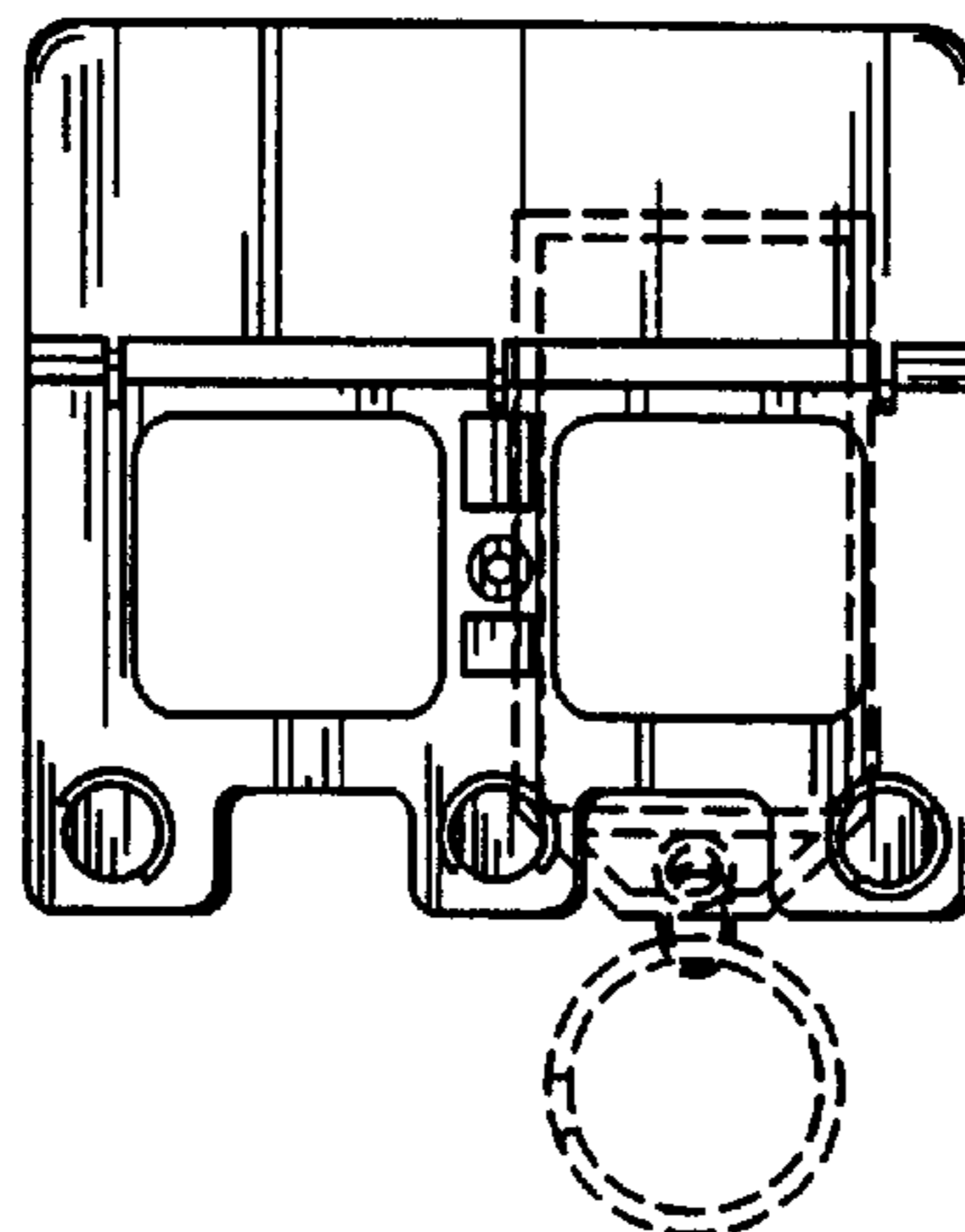


Figure 2

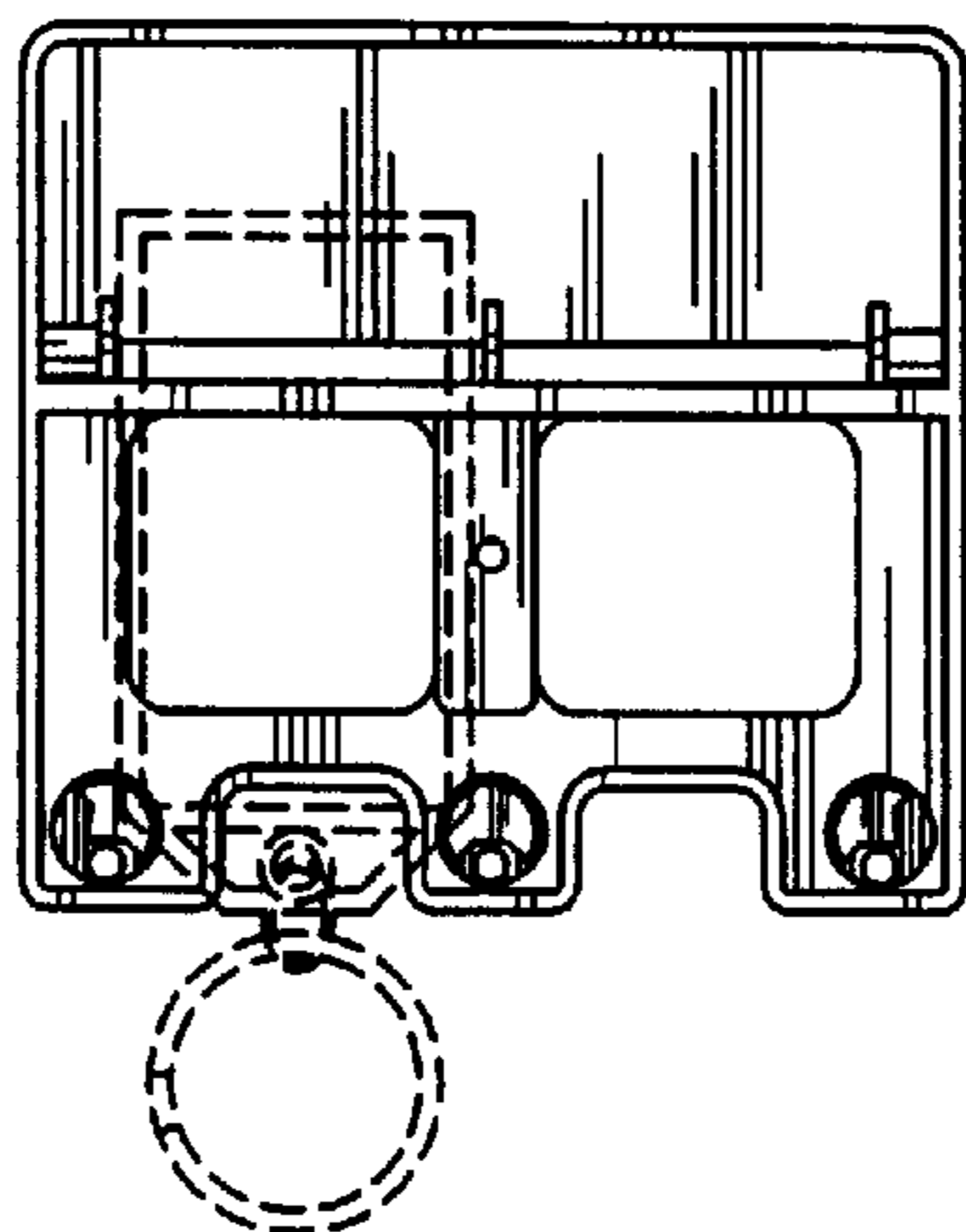


Figure 3

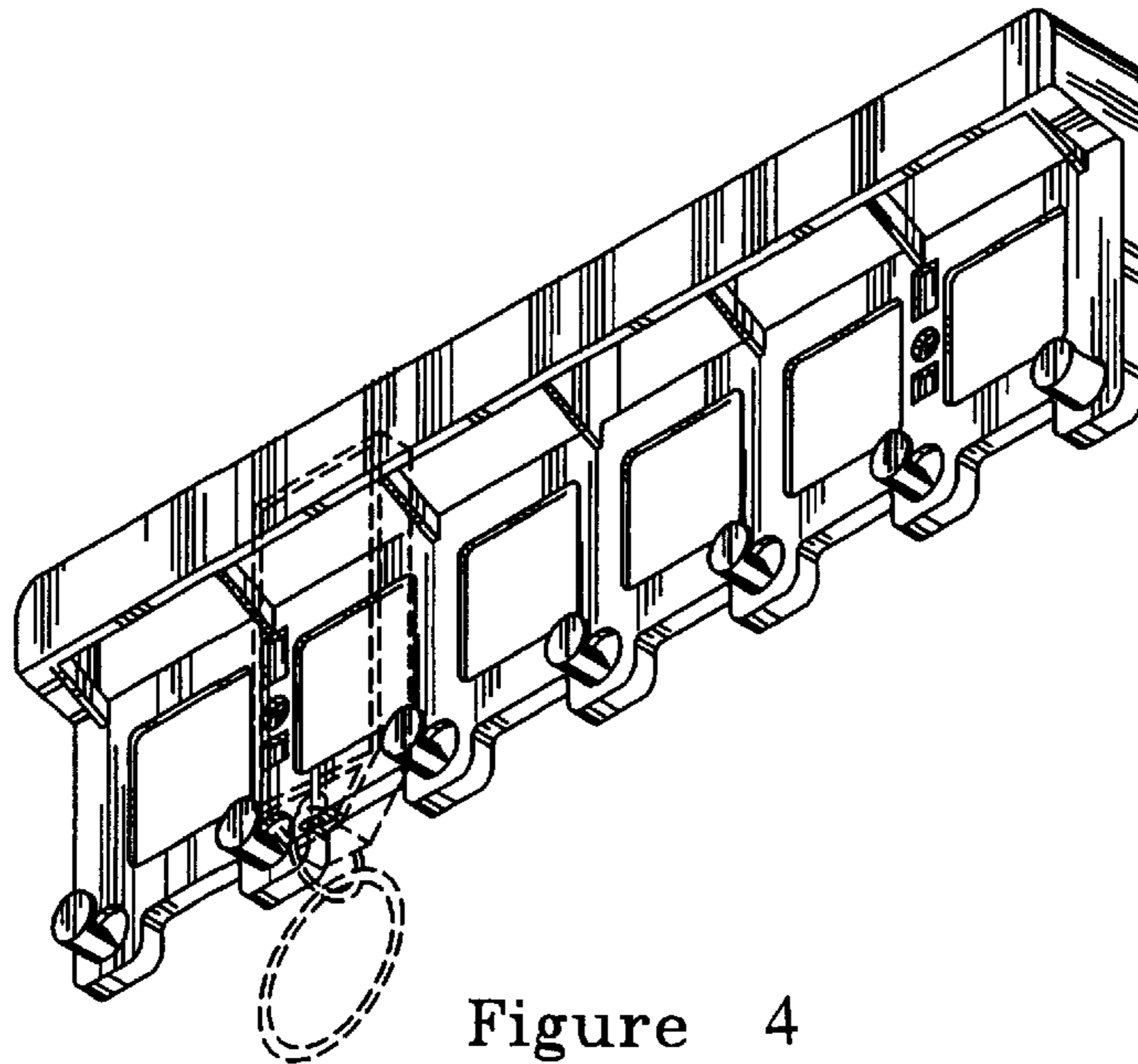


Figure 4

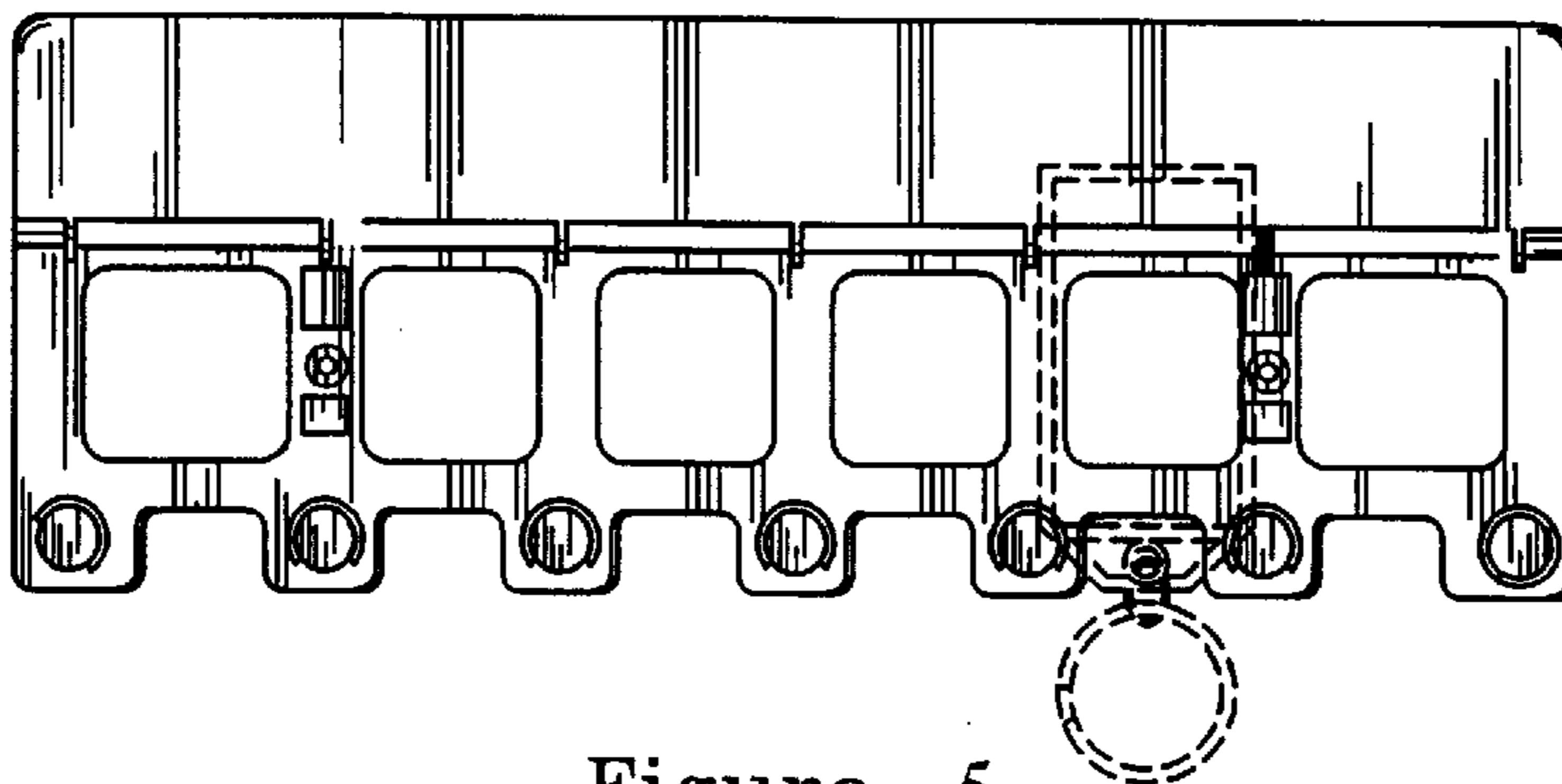


Figure 5

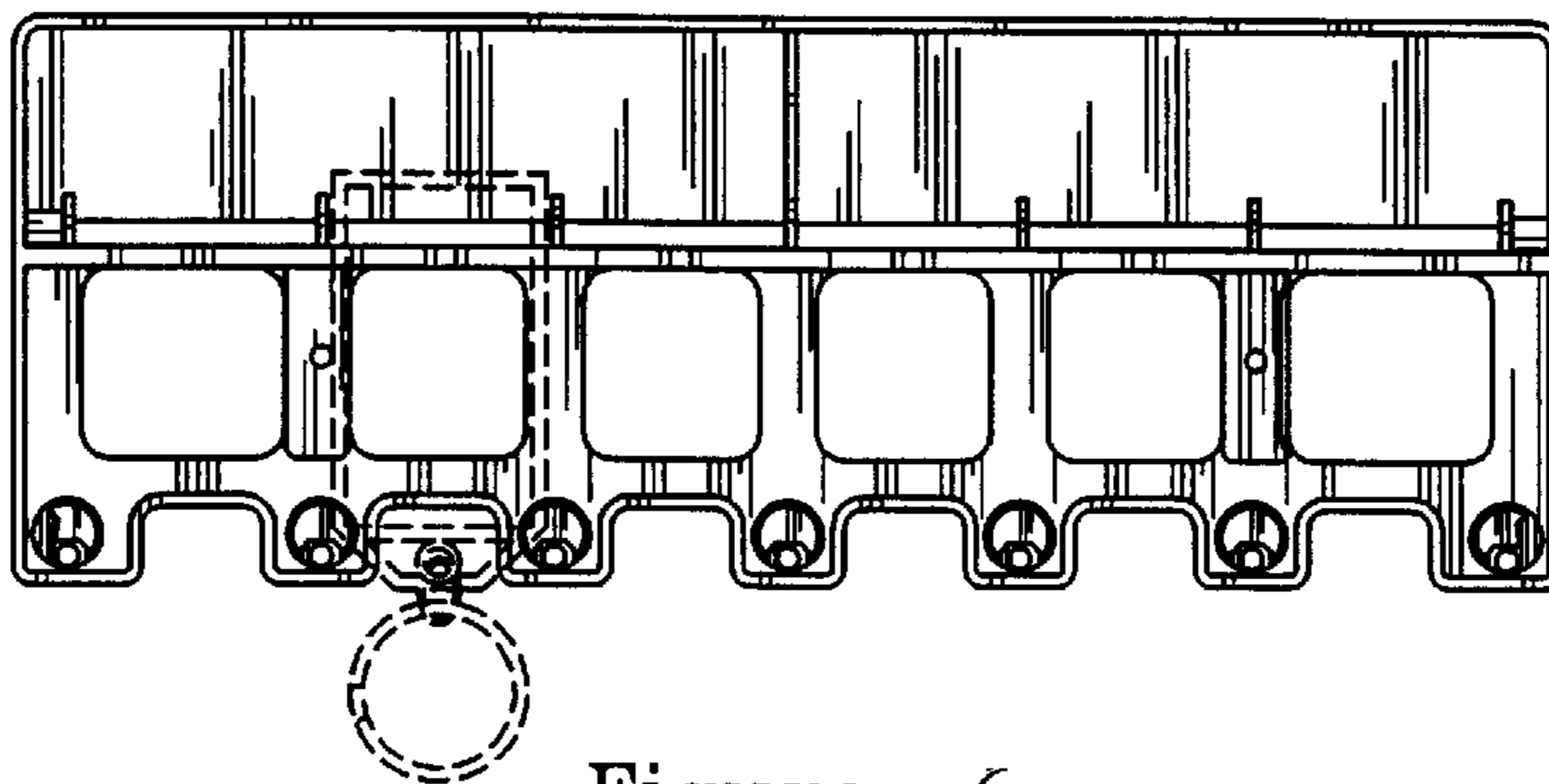


Figure 6

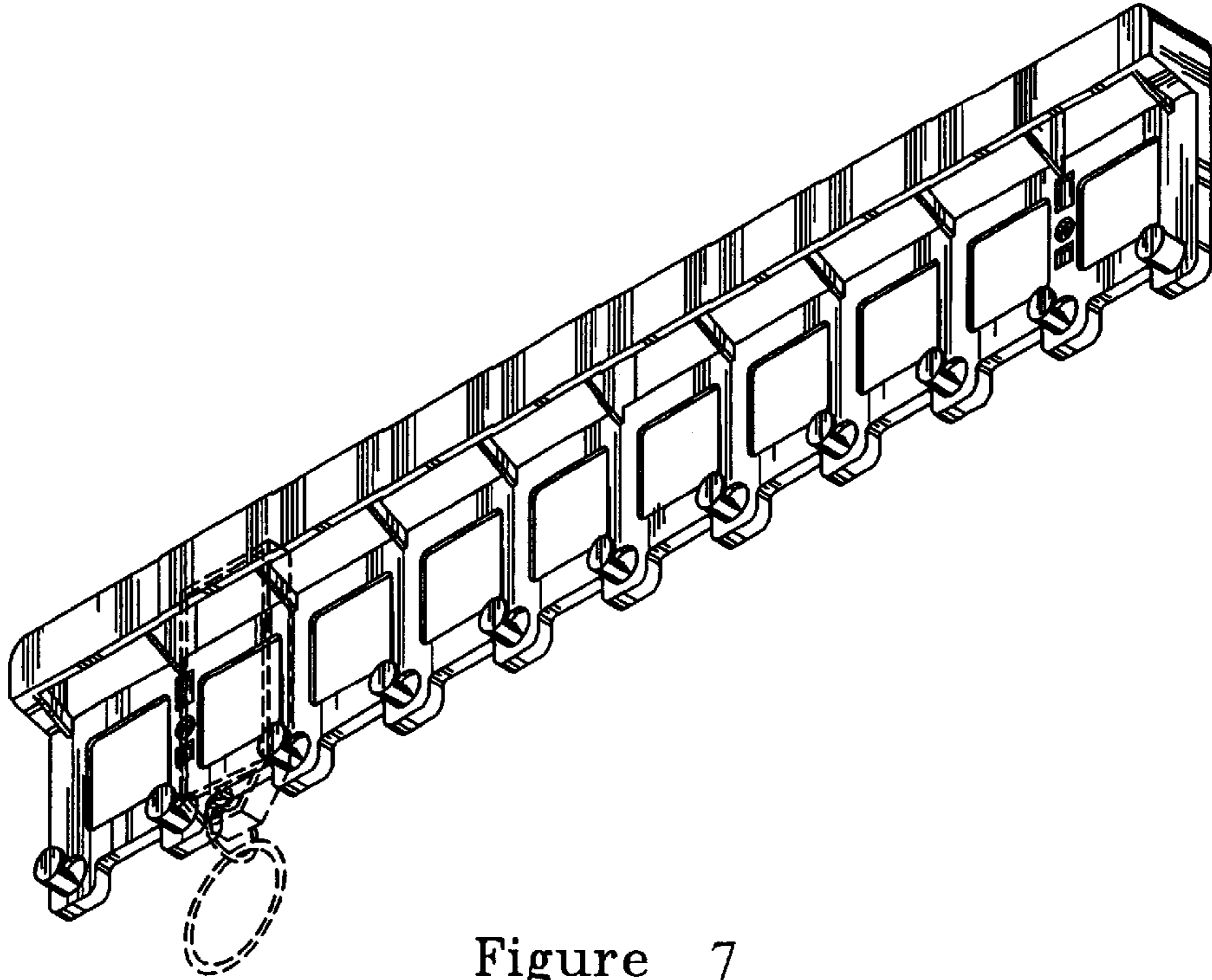


Figure 7

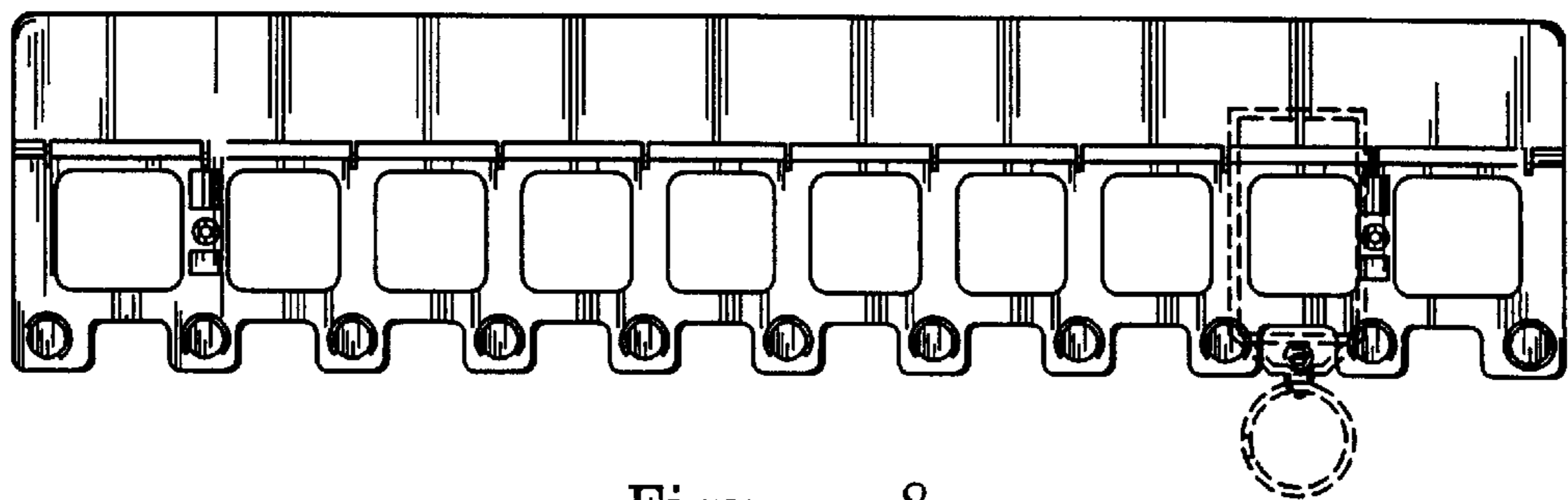


Figure 8

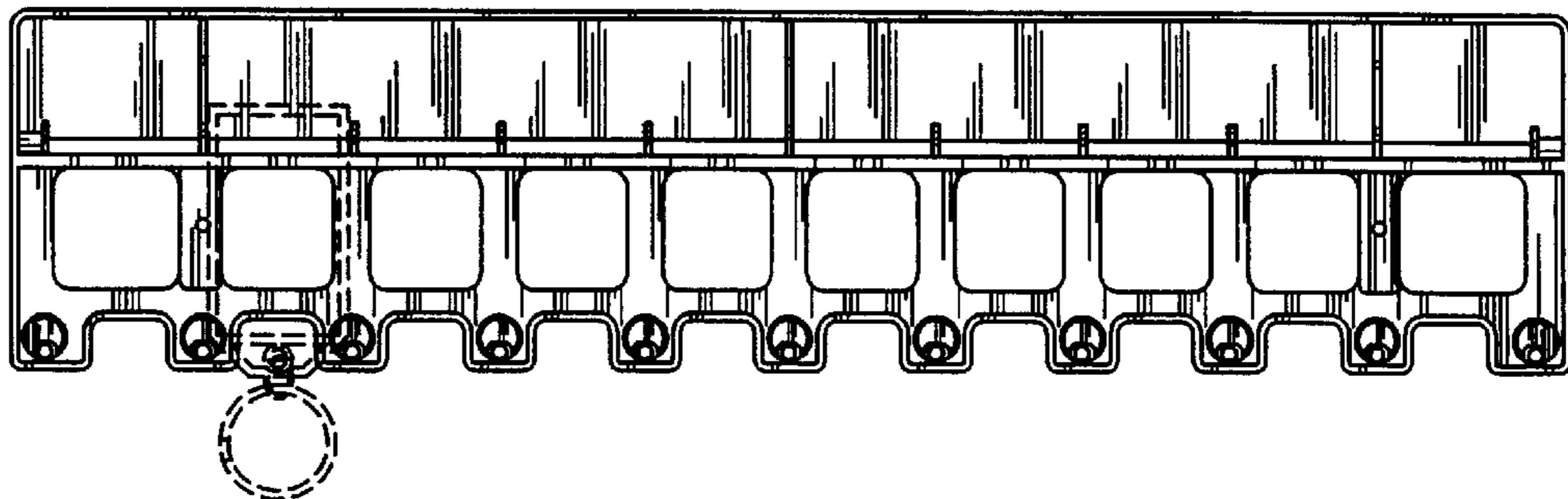


Figure 9