



US00D478445S

(12) **United States Design Patent**
Daansen

(10) **Patent No.:** **US D478,445 S**

(45) **Date of Patent:** **** Aug. 19, 2003**

(54) **SOAP DISPENSER**

(76) Inventor: **Warren S. Daansen**, 39 Orange St.,
Nashua, NH (US) 03060

(**) Term: **14 Years**

(21) Appl. No.: **29/165,159**

(22) Filed: **Aug. 5, 2002**

(51) **LOC (7) Cl.** **23-02**

(52) **U.S. Cl.** **D6/545**

(58) **Field of Search** D6/542-545; 211/71.01,
211/74, 85.12, 13.1; 221/282, 283; 222/105,
173, 180, 181.1, 181.3; 206/77.1

(56) **References Cited**

U.S. PATENT DOCUMENTS

D246,094 S	*	10/1977	Jone et al.	D6/545
4,130,224 A		12/1978	Norman et al.		
4,515,294 A		5/1985	Udall		
4,621,749 A		11/1986	Kanfer		
4,705,195 A		11/1987	Heck		
4,722,372 A		2/1988	Hoffman et al.		
5,183,188 A		2/1993	Rebeyrolle et al.		
D338,585 S	*	8/1993	Bell et al.	D6/545
5,265,772 A		11/1993	Bartasevich et al.		
D358,288 S		5/1995	Daansen		
5,452,826 A		9/1995	Stern		
5,464,125 A		11/1995	Daansen		
D371,514 S		7/1996	Daansen		
D371,966 S		7/1996	Daansen		
5,598,952 A		2/1997	Daansen		
D387,931 S	*	12/1997	Chen	D6/545
D401,093 S	*	11/1998	Arbak et al.	D6/545
5,850,945 A		12/1998	Frankel		
D414,363 S		9/1999	Daansen		
5,960,991 A		10/1999	Ophardt		
5,996,851 A		12/1999	Dolan et al.		

D418,344 S	*	1/2000	De Winter	D6/545
6,068,162 A		5/2000	De Winter et al.		
D426,094 S	*	6/2000	Carlson	D6/545
D431,404 S	*	10/2000	Brazis et al.	D6/545
6,161,726 A		12/2000	Parsons et al.		
6,286,732 B1		9/2001	Daansen		
6,375,038 B1		4/2002	Daansen		

OTHER PUBLICATIONS

Sterisol System 2000, Brochure, Sterisol AB, Vadstena, Sweden.
GOJO brochure, #NXT-LIT-FAMI, Feb. 2000, GOJO Industries Inc., Akron, Ohio USA.
GOJO brochure # NXT-LIT-MAXI, Feb. 2000 GOJO Industries Inc., Akron, Ohio USA.
GOJO brochure # NXT-LIT-SPC1, Feb. 2000 GOJO Industries Inc., Akron, Ohio USA.
GOJO brochure # NXT-LIT-SBS1, Feb. 2000 GOJO Industries Inc., Akron, Ohio USA.

* cited by examiner

Primary Examiner—Brian N. Vinson
(74) *Attorney, Agent, or Firm*—Maine & Asmus

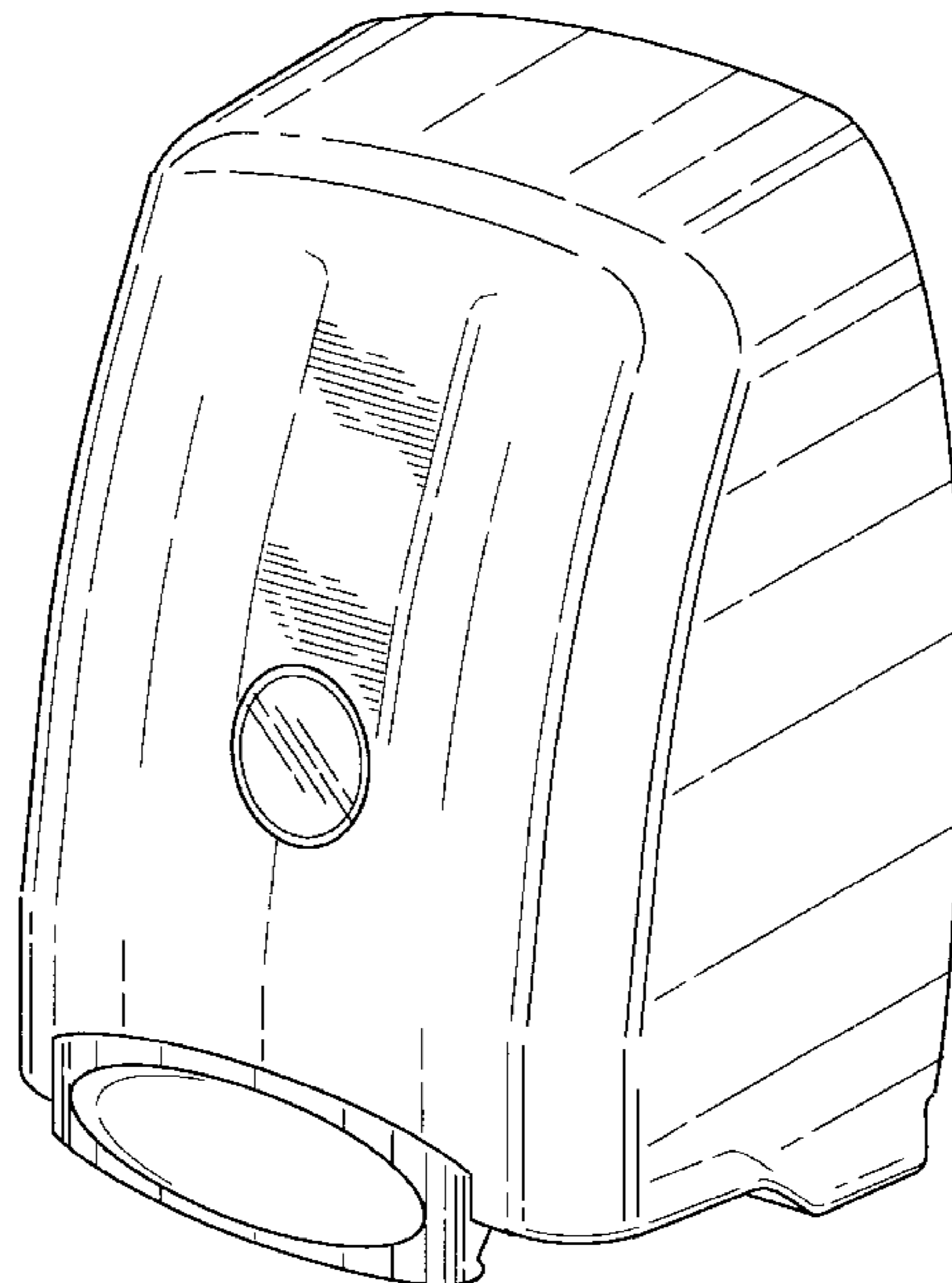
(57) **CLAIM**

The ornamental design for a soap dispenser, as shown and described in the attached figures.

DESCRIPTION

FIG. 1 is a front perspective view of the soap dispenser;
FIG. 2 is a front elevation view thereof;
FIG. 3 is a back elevation view thereof;
FIG. 4 is a side elevation thereof;
FIG. 5 is a top plan thereof; and,
FIG. 6 is a bottom plan thereof.

1 Claim, 5 Drawing Sheets



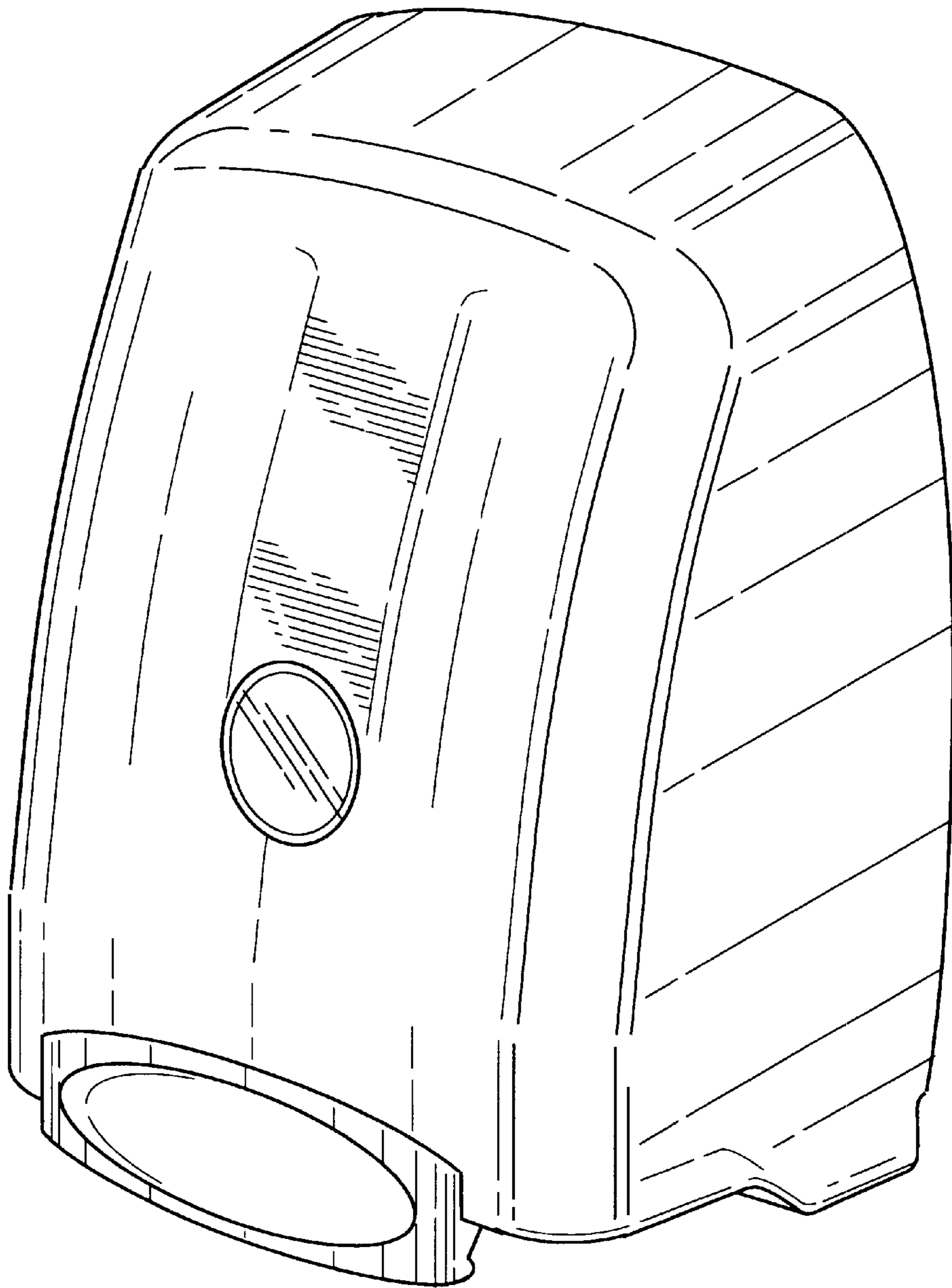


FIG. 1

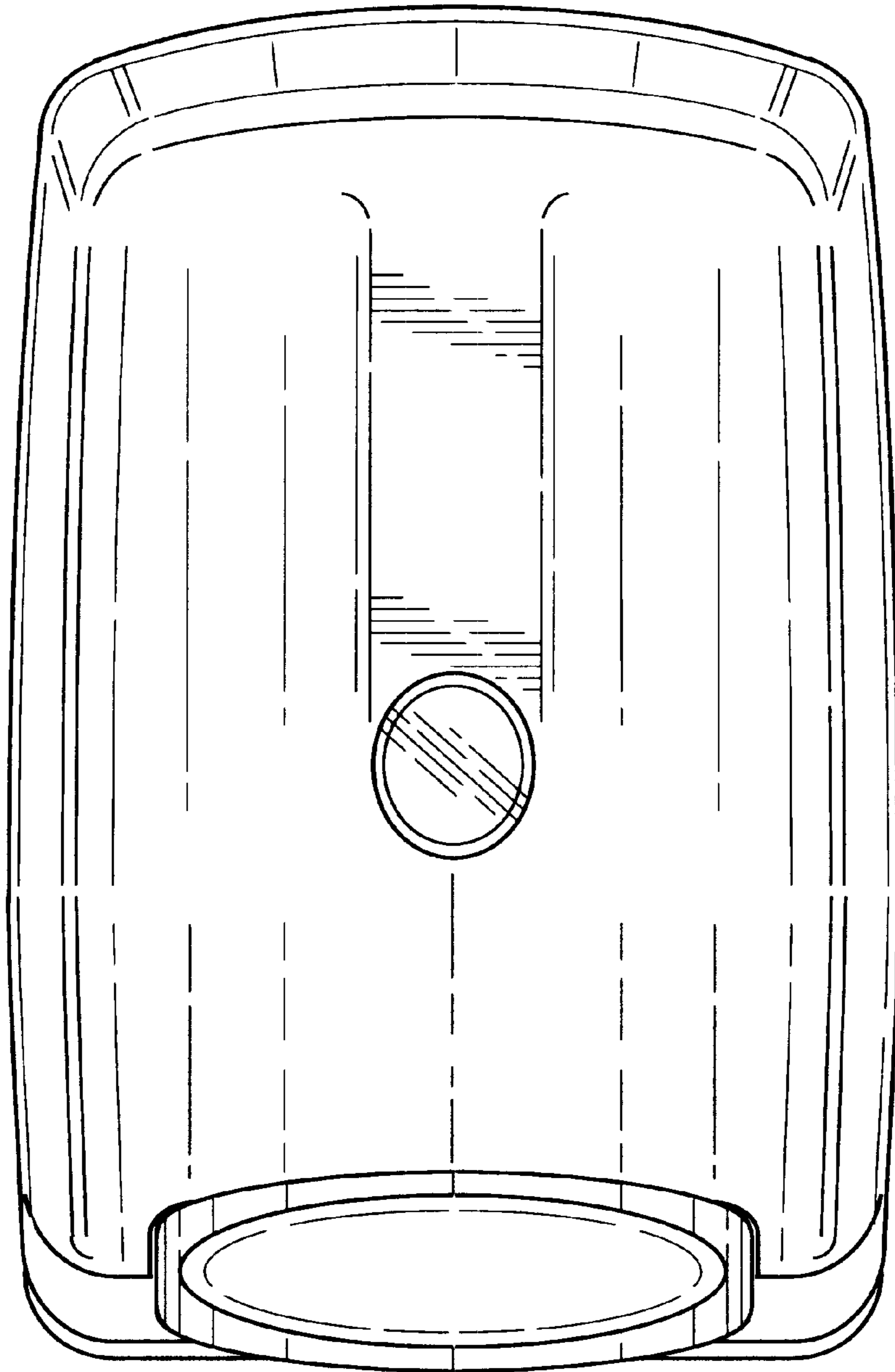


FIG. 2

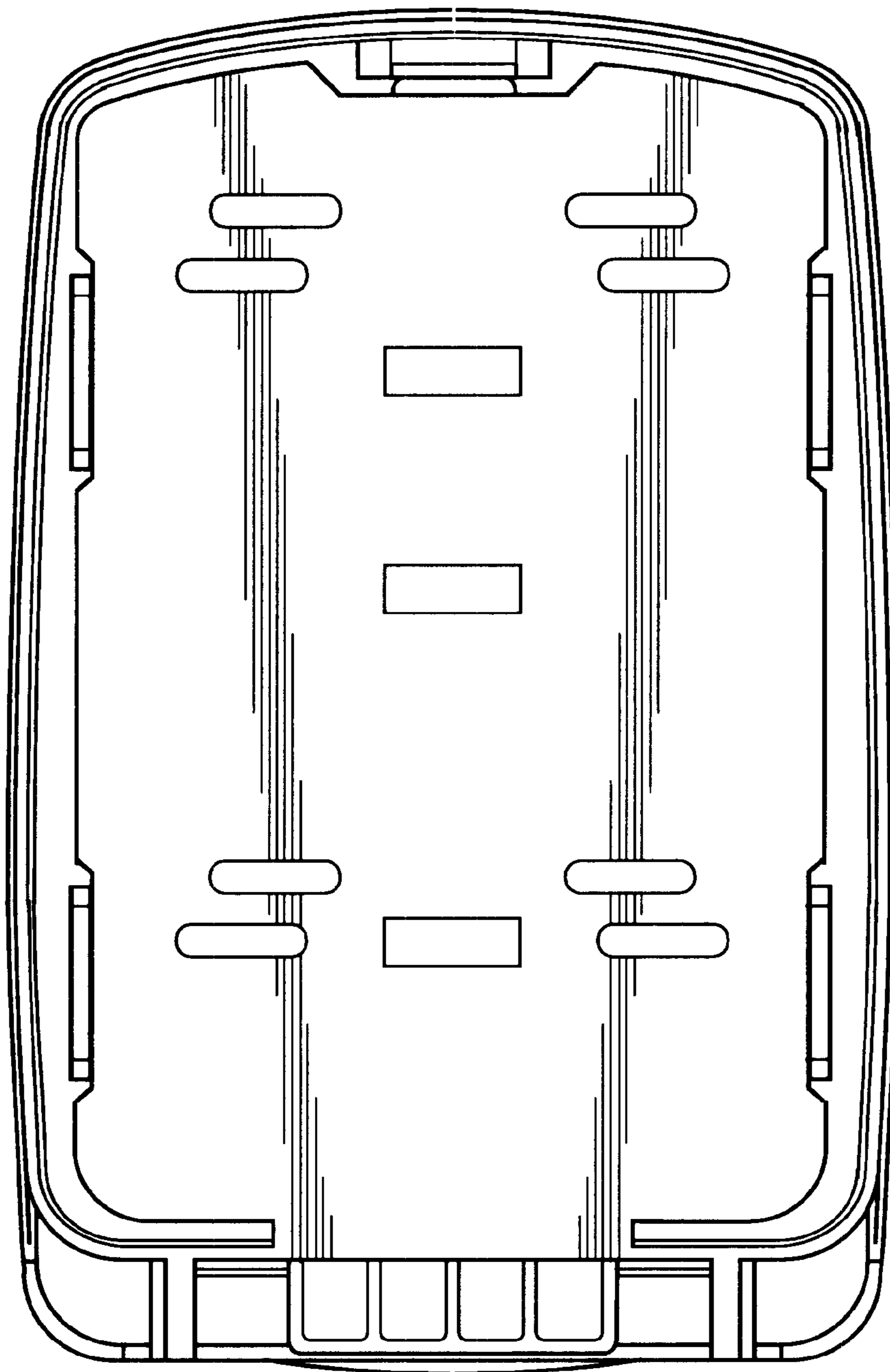


FIG. 3

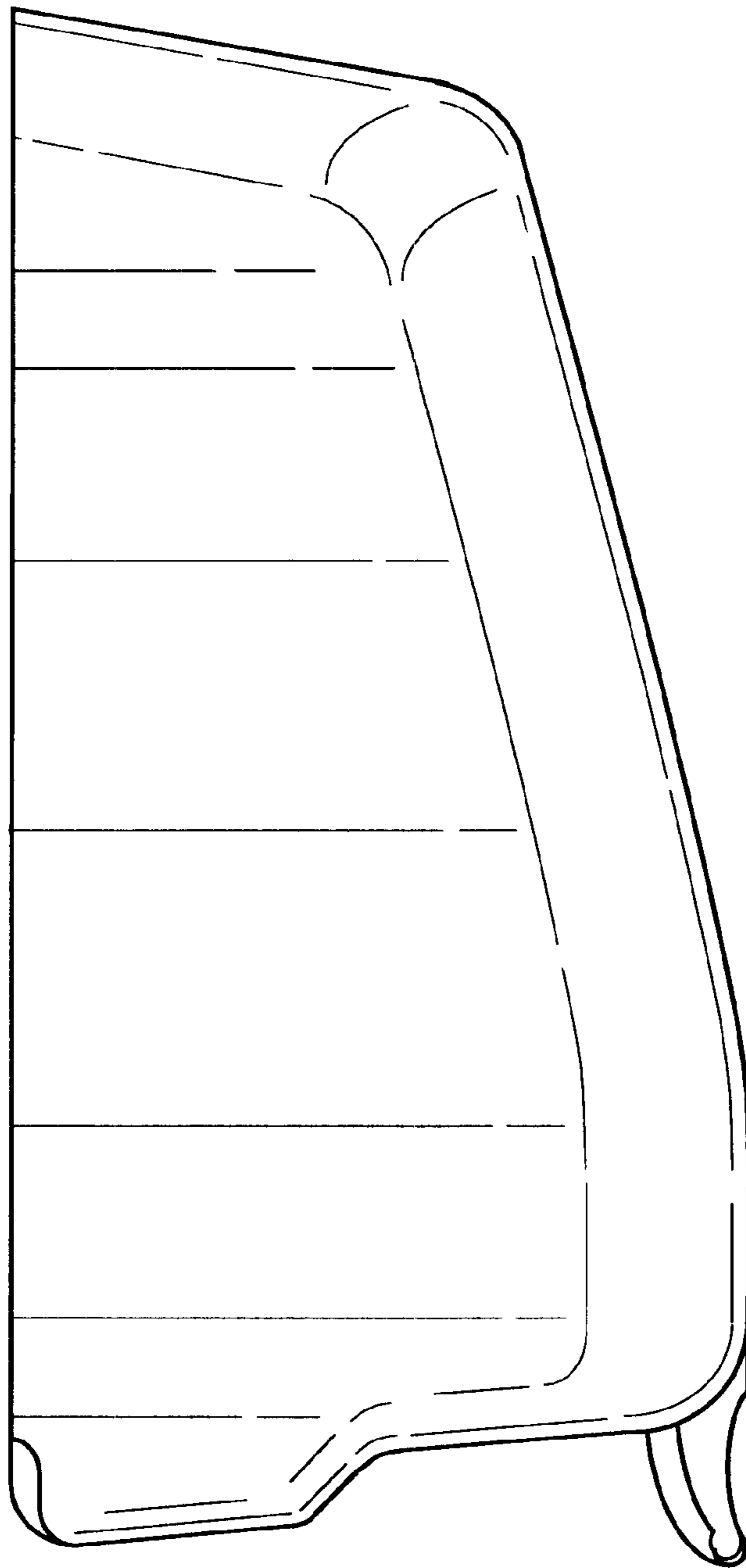


FIG. 4

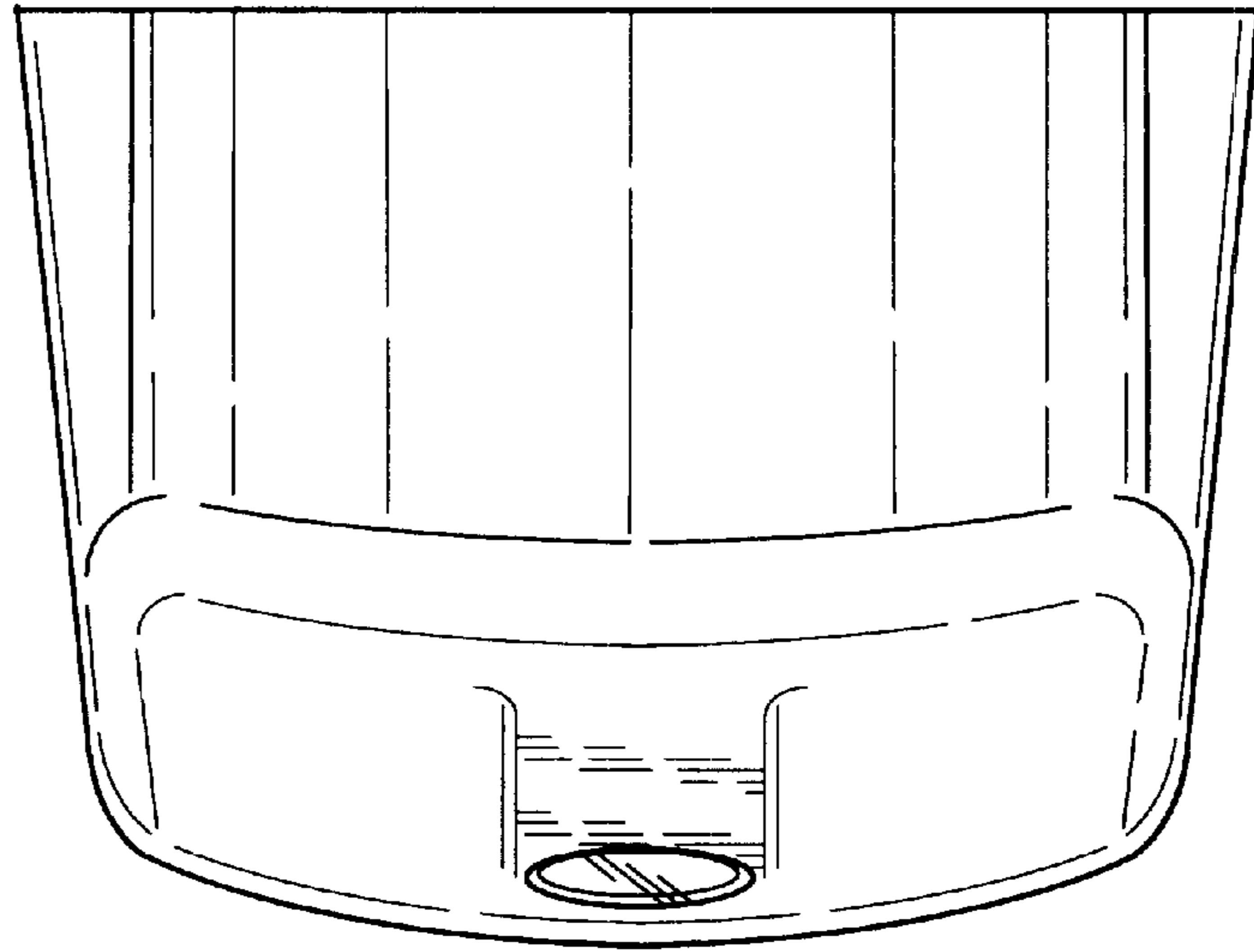


FIG. 5

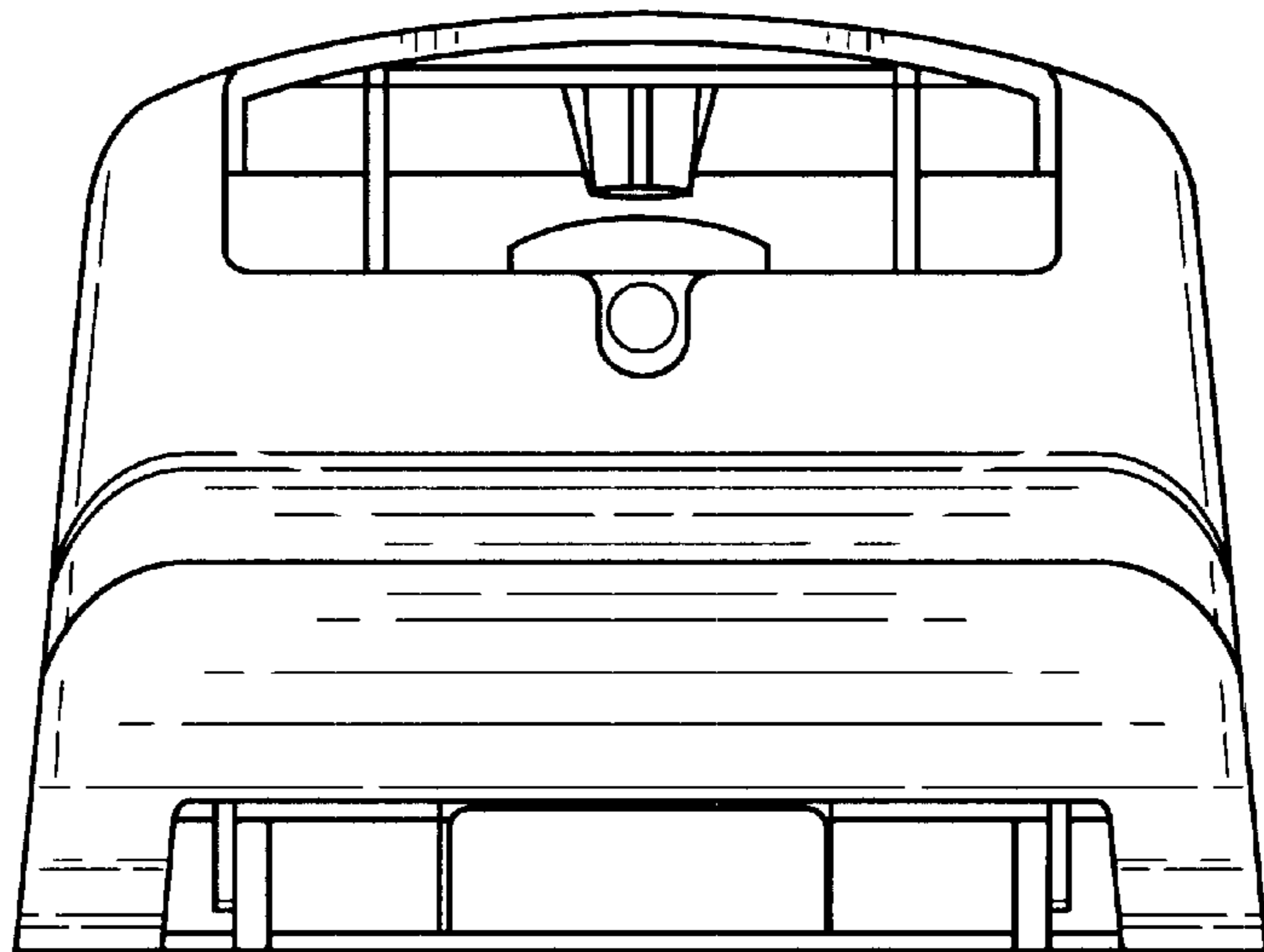


FIG. 6