



US00D478442S

(12) **United States Design Patent**  
**Hoernig**

(10) **Patent No.:** **US D478,442 S**

(45) **Date of Patent:** **\*\* Aug. 19, 2003**

(54) **TUMBLER HOLDER**

D455,589 S \* 4/2002 Hoernig ..... D6/531  
D456,194 S \* 4/2002 Hoernig ..... D6/535

(75) Inventor: **Victor Hoernig**, Lowell, IN (US)

\* cited by examiner

(73) Assignee: **Bath Unlimited, Inc.**, Fort Mill, SC (US)

*Primary Examiner*—Brian N. Vinson

(\*\*) Term: **14 Years**

(74) *Attorney, Agent, or Firm*—Edgar A. Zarins; Lloyd D. Doigan

(21) Appl. No.: **29/165,994**

(57) **CLAIM**

(22) Filed: **Aug. 21, 2002**

The ornamental design for a tumbler holder, as shown and described.

(51) **LOC (7) Cl.** ..... **23-02**

**DESCRIPTION**

(52) **U.S. Cl.** ..... **D6/535**

(58) **Field of Search** ..... D6/535, 531, 540,  
D6/524, 553, 567; D26/9, 72, 138, 145;  
206/426; 211/13.1, 85.12, 70.7, 71.01, 74,  
75, 86.01, 87.01; 248/309.1, 311.2, 314,  
312.1

FIG. 1 is a perspective view of a tumbler holder showing my new design;

FIG. 2 is a front elevational view thereof;

FIG. 3 is a right side view thereof, the opposite side being a mirror image of the side shown;

FIG. 4 is a top plan view thereof; and,

FIG. 5 is a bottom plan view thereof.

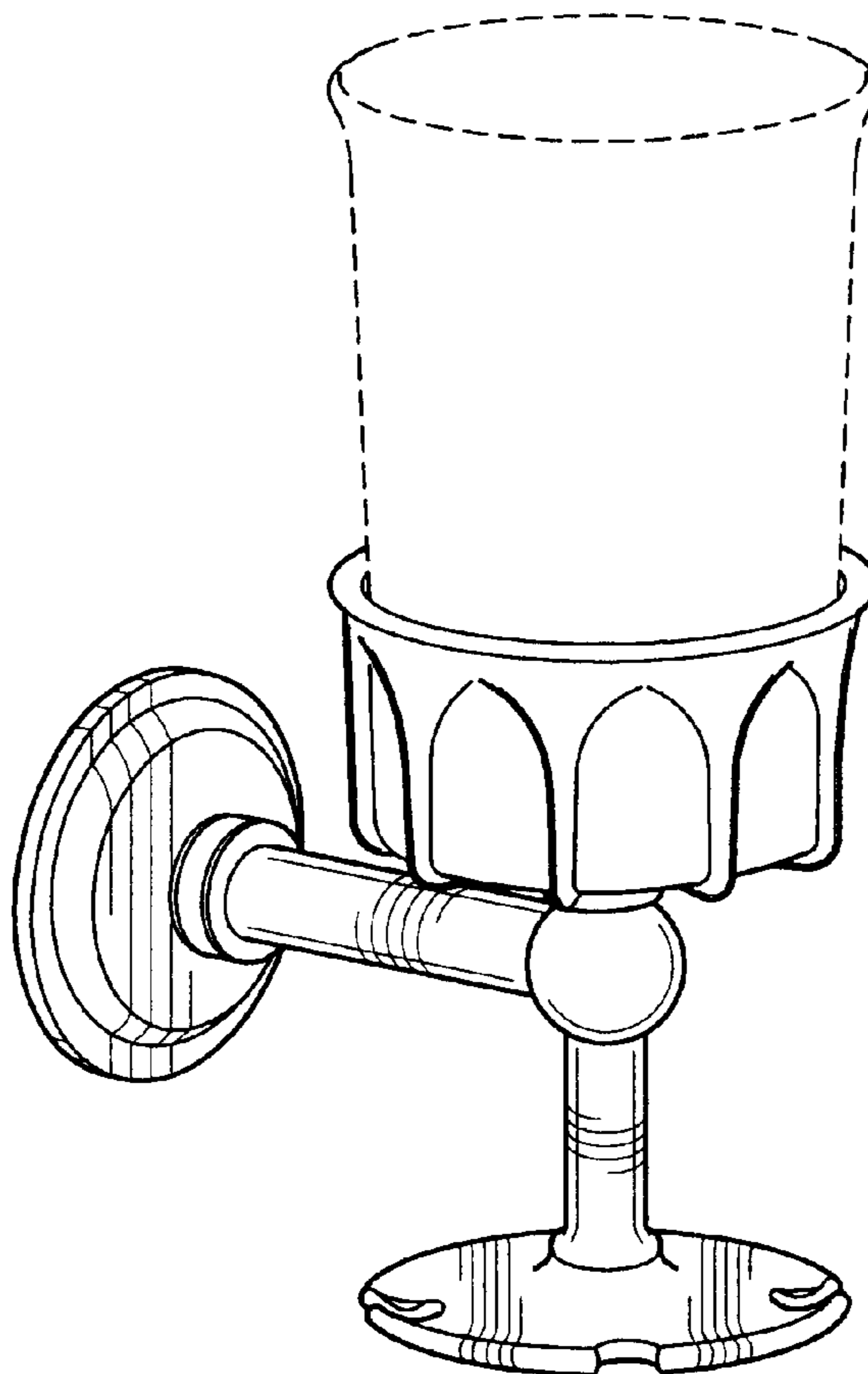
The broken-line showing of a tumbler in the views is for illustrative purposes only and forms no part of the claimed design.

(56) **References Cited**

**U.S. PATENT DOCUMENTS**

4,697,780 A \* 10/1987 Wenkman et al. .... 248/311.2 X  
D425,742 S \* 5/2000 Duggan ..... D6/535  
D453,646 S \* 2/2002 Gottwald ..... D6/535

**1 Claim, 2 Drawing Sheets**



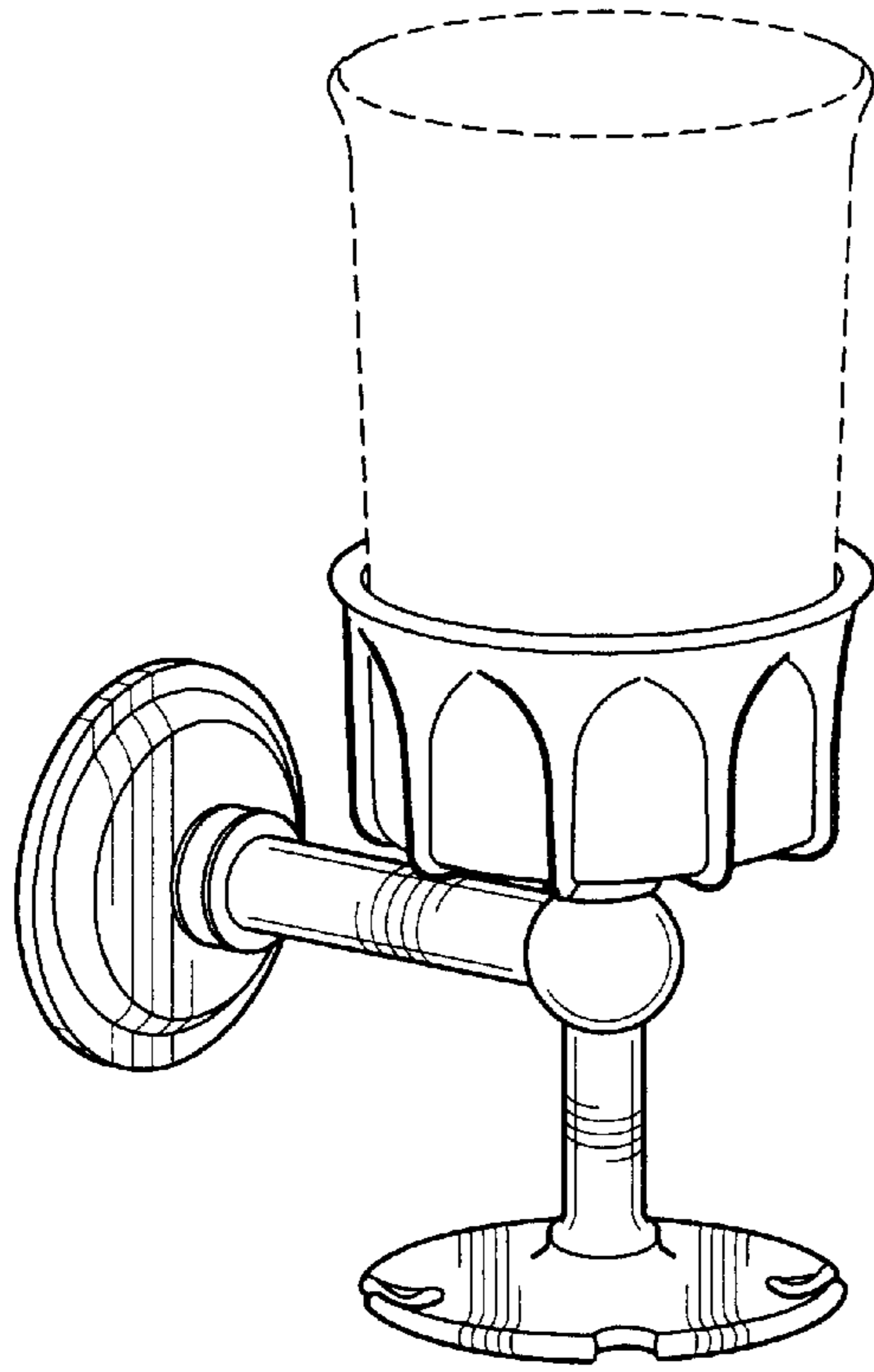


Fig-1

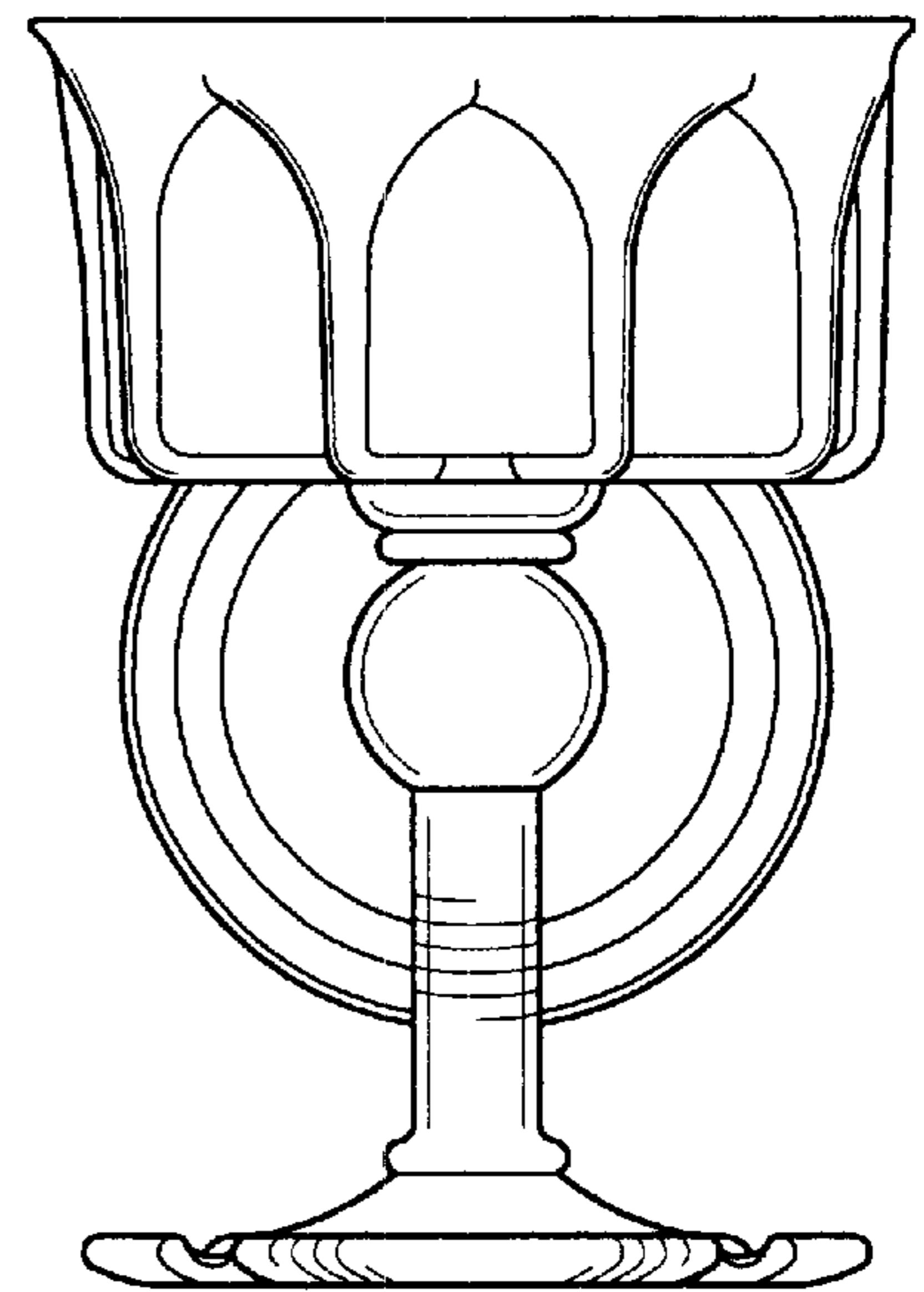


Fig-2

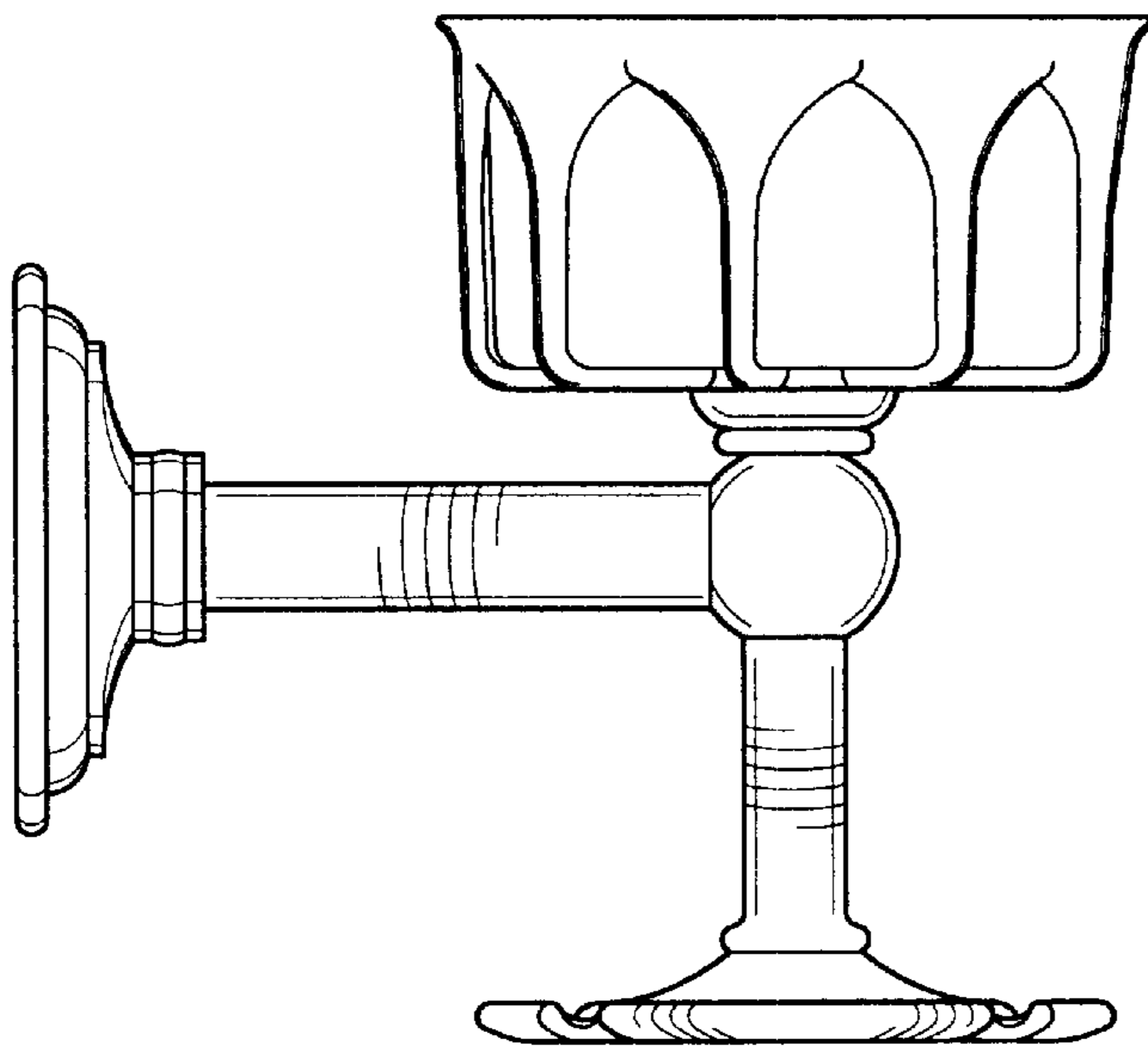


Fig-3

Fig-4

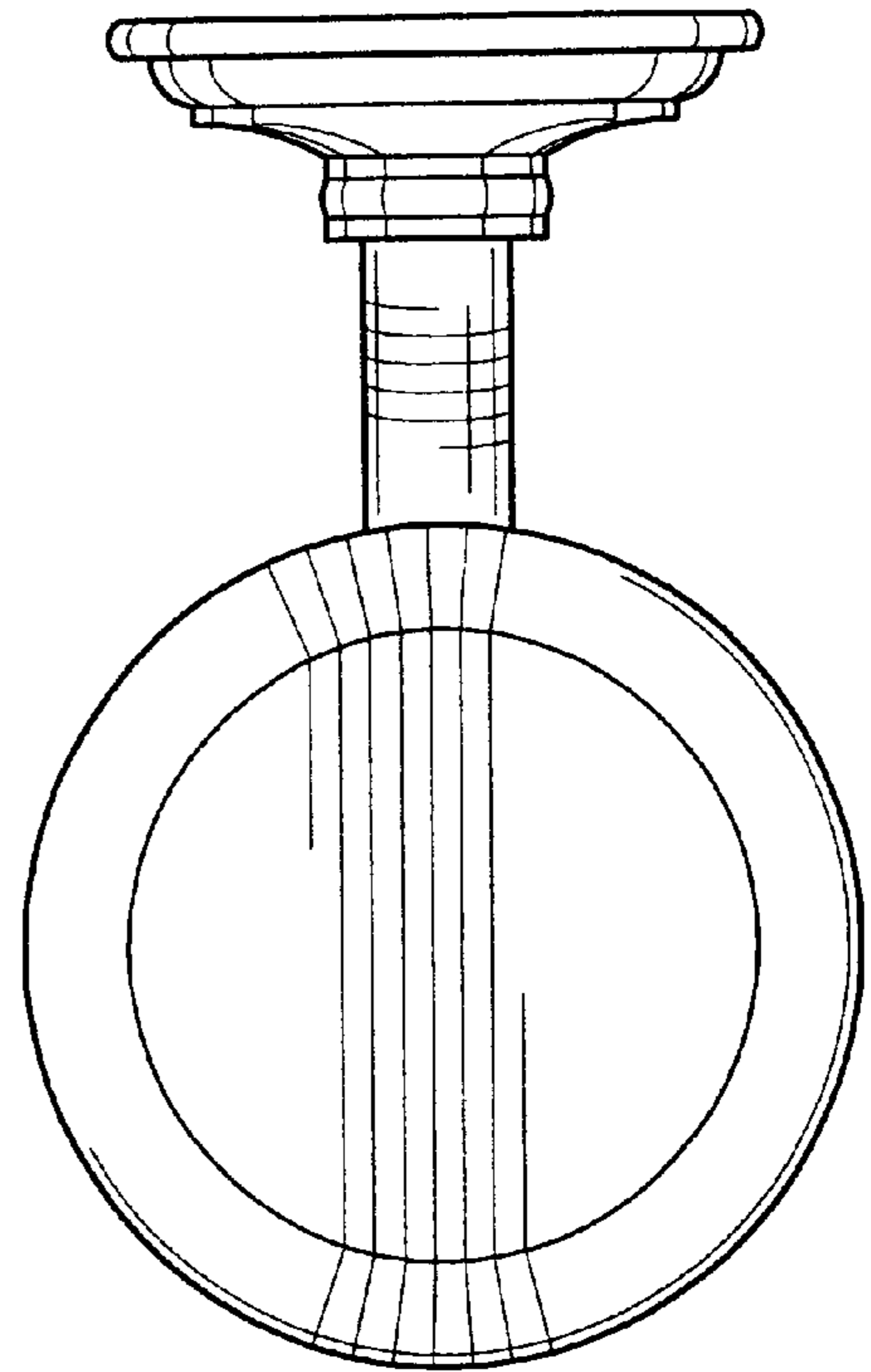


Fig-5

