



US00D478441S

(12) **United States Design Patent**
Marks et al.

(10) **Patent No.:** **US D478,441 S**

(45) **Date of Patent:** **** Aug. 19, 2003**

(54) **TOILET PAPER HOLDER**

(75) Inventors: **Christopher P. Marks**, Pickerington, OH (US); **Michael J. Painter**, Columbus, OH (US); **Paul P. Kolada**, Bexley, OH (US)

(73) Assignee: **American Standard International Inc.**, New York, NY (US)

(**) Term: **14 Years**

(21) Appl. No.: **29/170,962**

(22) Filed: **Nov. 13, 2002**

(51) **LOC (7) Cl.** **23-02**

(52) **U.S. Cl.** **D6/523**

(58) **Field of Search** D6/546-50, 518, D6/522-24; D8/300, 303, 315-21, 354, 363, 373, 380; 108/28-29; 211/13.1, 16, 60.1, 86.01, 87.01, 88.01, 88.04, 100, 105.1-105.2, 119.003, 123, 126.1, 133.6, 134, 181.1, 182; 248/175, 176.1, 200, 214, 251, 302, 309.1; 16/110.1, 412, 415; 242/570, 590, 595-598; 206/389, 557

(56) **References Cited**

U.S. PATENT DOCUMENTS

2,542,941 A * 2/1951 Post 211/123

D454,744 S * 3/2002 Ou-Young D6/550
D454,745 S * 3/2002 Wright D6/550
D466,734 S * 12/2002 Moore D6/523
D466,741 S * 12/2002 Moore D6/549
D472,417 S * 4/2003 Hunt D6/549

* cited by examiner

Primary Examiner—Brian N. Vinson

(57) **CLAIM**

The ornamental design for a toilet paper holder, as shown and described.

DESCRIPTION

FIG. 1 is a perspective view of a toilet paper holder according to the present invention;

FIG. 2 is a top view of the toilet paper holder of FIG. 1;

FIG. 3 is a bottom view of the toilet paper holder of FIG. 1;

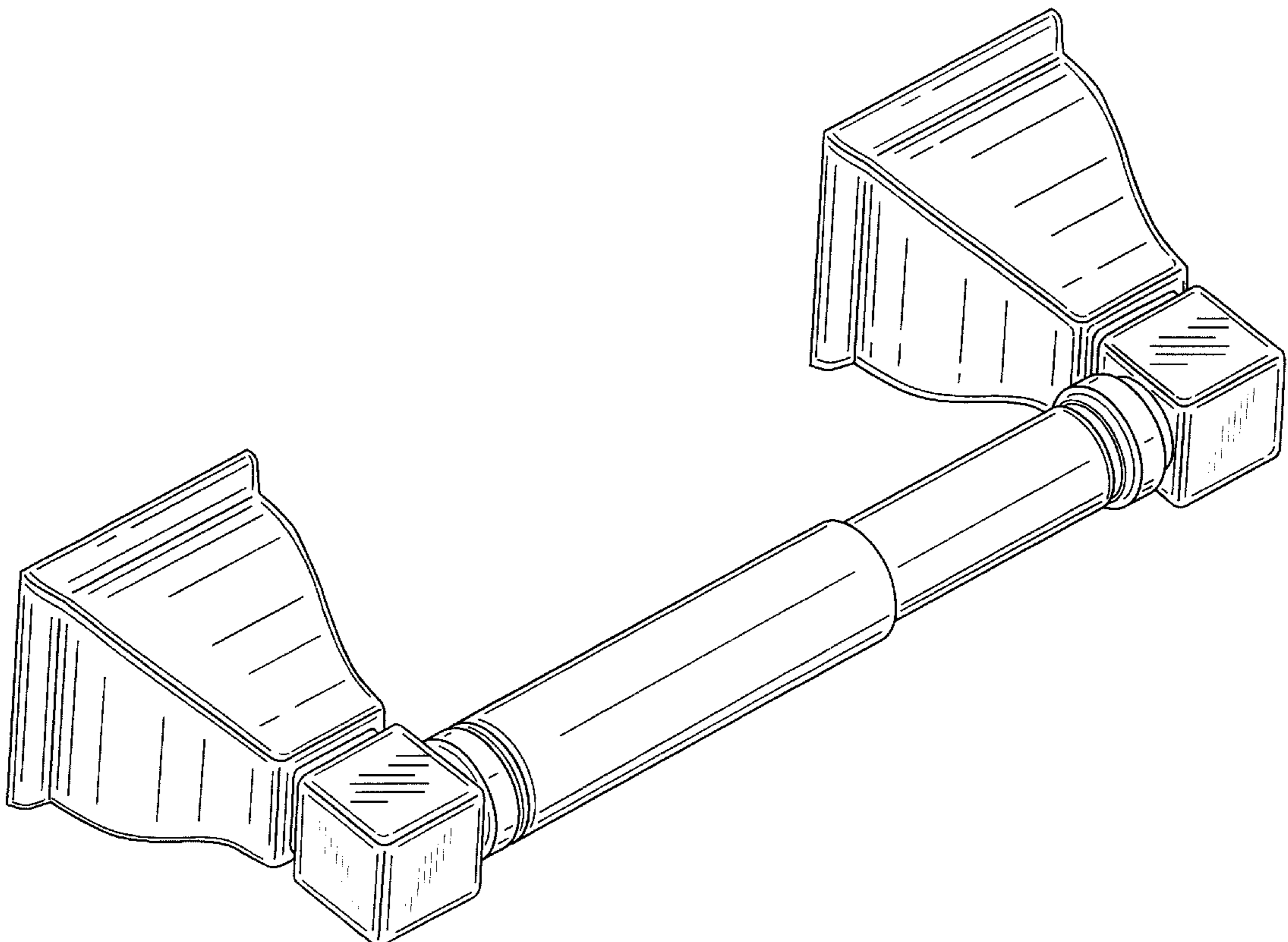
FIG. 4 is a left side view of the toilet paper holder of FIG. 1;

FIG. 5 is a right side view of the toilet paper holder of FIG. 1;

FIG. 6 is a front view of the toilet paper holder of FIG. 1; and,

FIG. 7 is a back view of the toilet paper holder of FIG. 1.

1 Claim, 6 Drawing Sheets



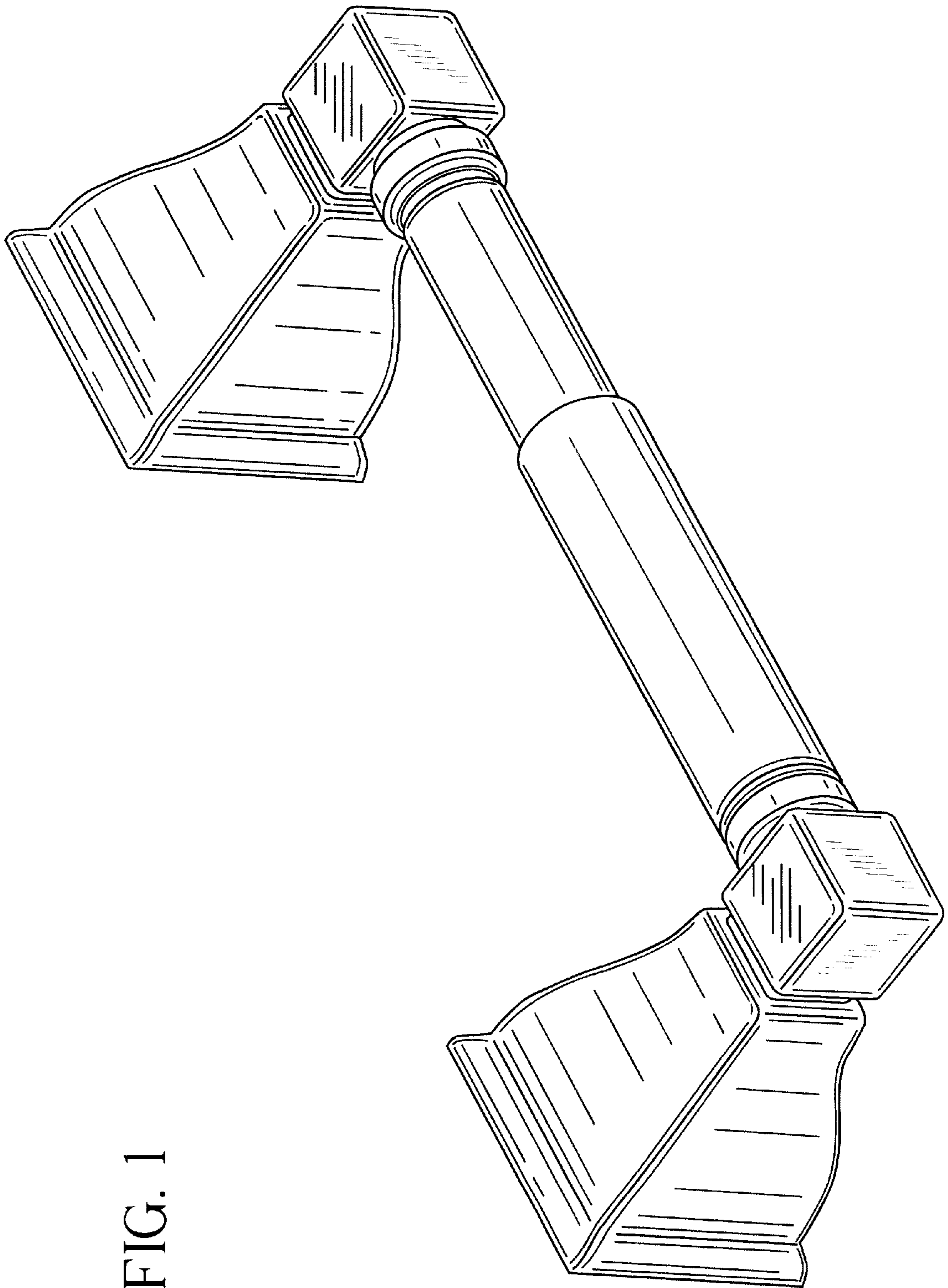


FIG. 1

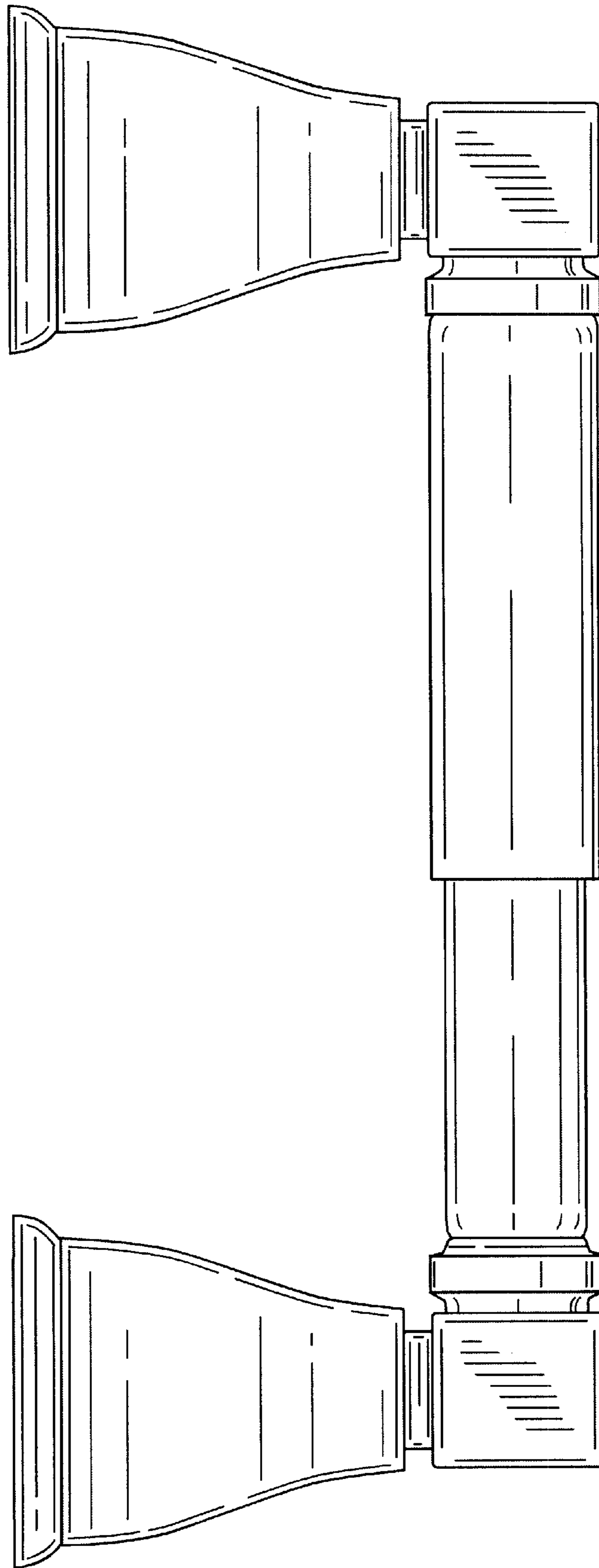


FIG. 2

FIG. 3

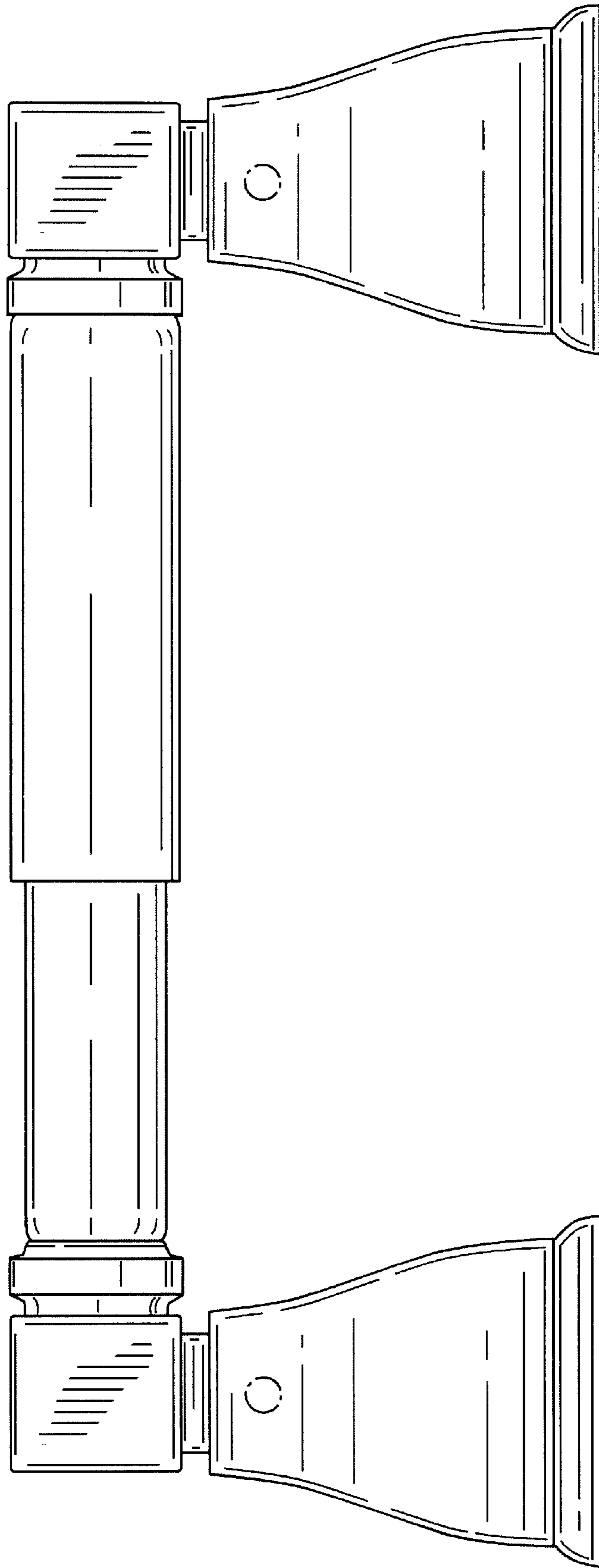


FIG. 5

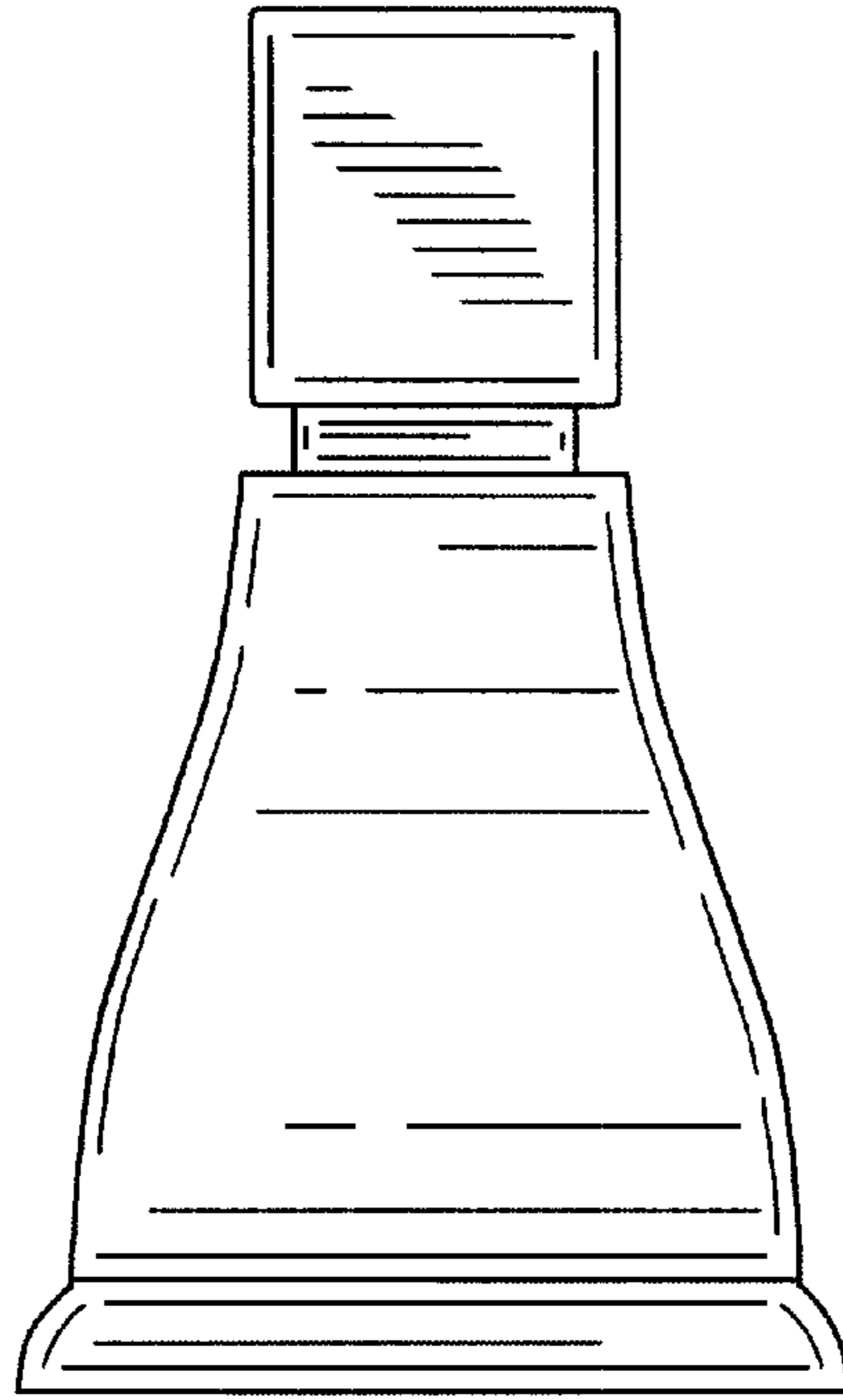
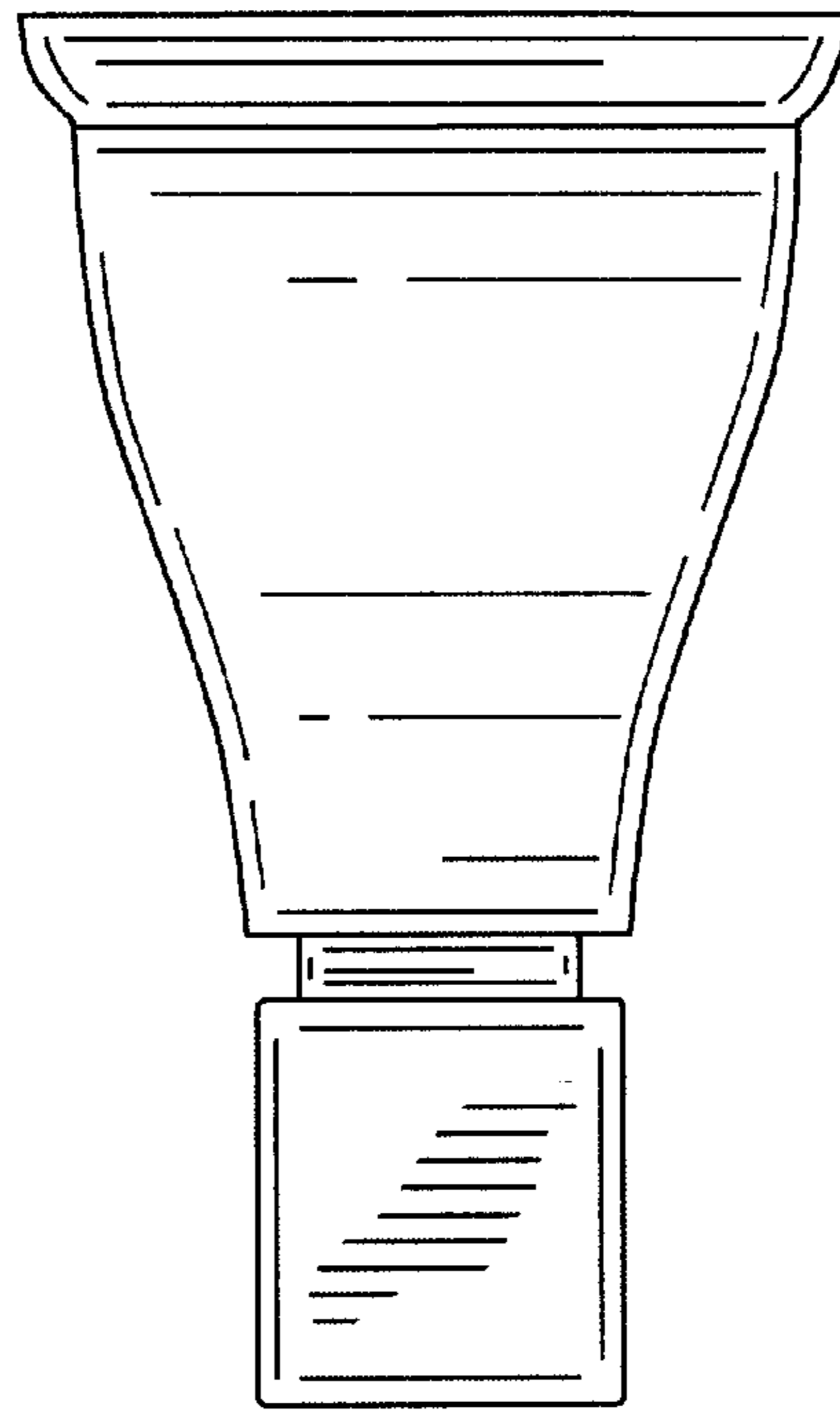


FIG. 4



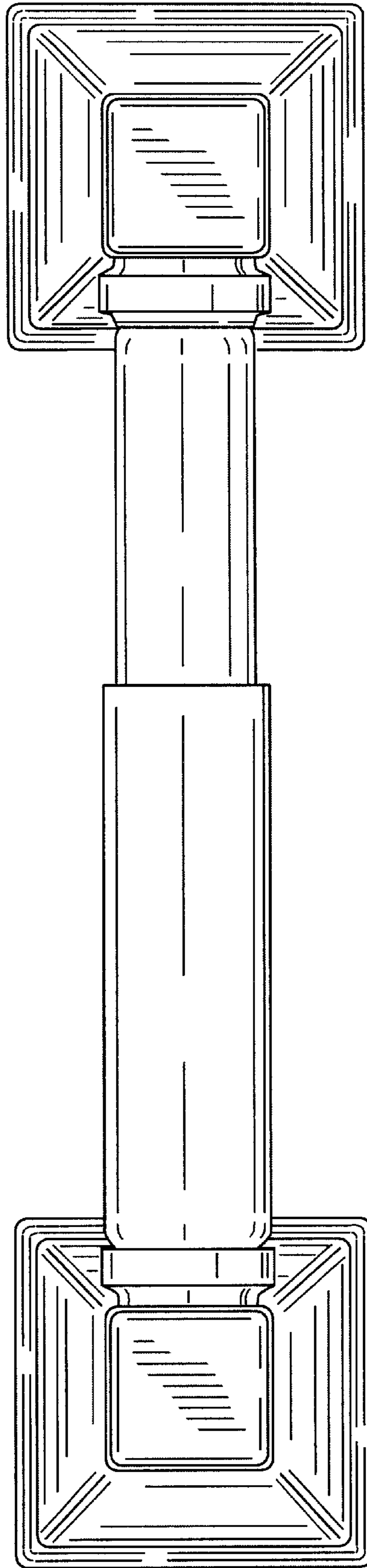


FIG. 6

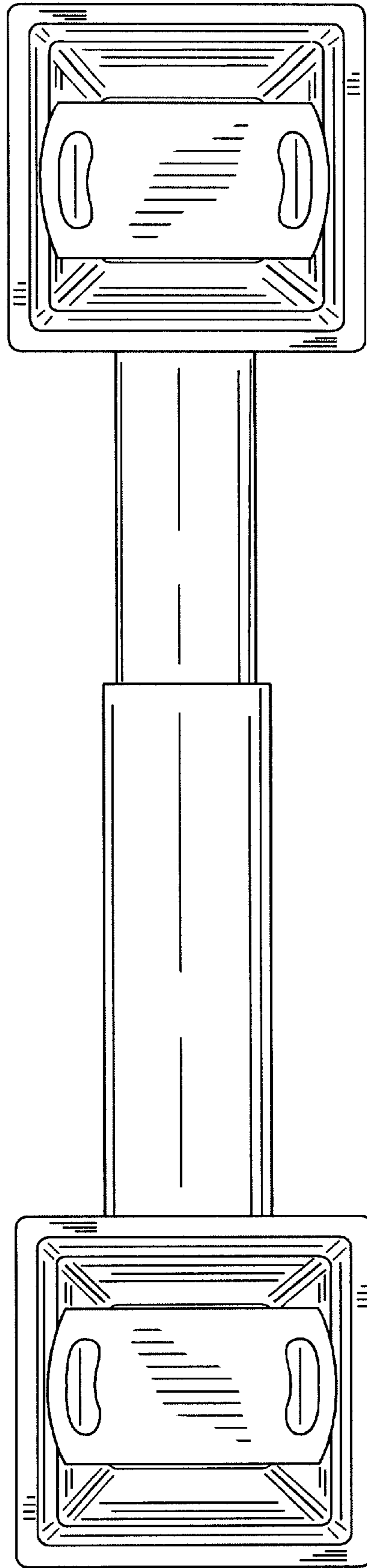


FIG. 7