



US00D478439S

(12) **United States Design Patent**
Hoernig

(10) **Patent No.:** **US D478,439 S**

(45) **Date of Patent:** **** Aug. 19, 2003**

(54) **TISSUE HOLDER**

(75) Inventor: **Victor Hoernig**, Lowell, IN (US)

(73) Assignee: **Bath Unlimited, Inc.**, Fort Mill, SC (US)

(**) Term: **14 Years**

(21) Appl. No.: **29/166,076**

(22) Filed: **Aug. 21, 2002**

(51) **LOC (7) Cl.** **23-02**

(52) **U.S. Cl.** **D6/523**

(58) **Field of Search** D6/546-50, 518-19, D6/522-24; D8/300, 303, 315-21, 354, 363, 373, 380; 108/28-29; 211/13.1, 16, 60.1, 86.01, 87.01, 88.01, 88.04, 100, 105.1-105.2, 119.003, 123, 126.1, 133.6, 134, 181.1, 182; 248/175, 176.1, 200, 214, 251, 302, 309.1; 16/110.1, 412, 415; 242/570, 590, 595-598; 206/389, 557

(56) **References Cited**

U.S. PATENT DOCUMENTS

D277,347 S * 1/1985 Thompson D6/523

D304,402 S * 11/1989 Hoose D6/523
6,220,460 B1 * 4/2001 Pan 211/87.01
D450,503 S * 11/2001 Gottwald D6/523
D454,456 S * 3/2002 Meck et al. D6/523
D465,366 S * 11/2002 Ouyoung D6/523

* cited by examiner

Primary Examiner—Brian N. Vinson

(74) *Attorney, Agent, or Firm*—Edgar A. Zarins; Lloyd D. Doigan

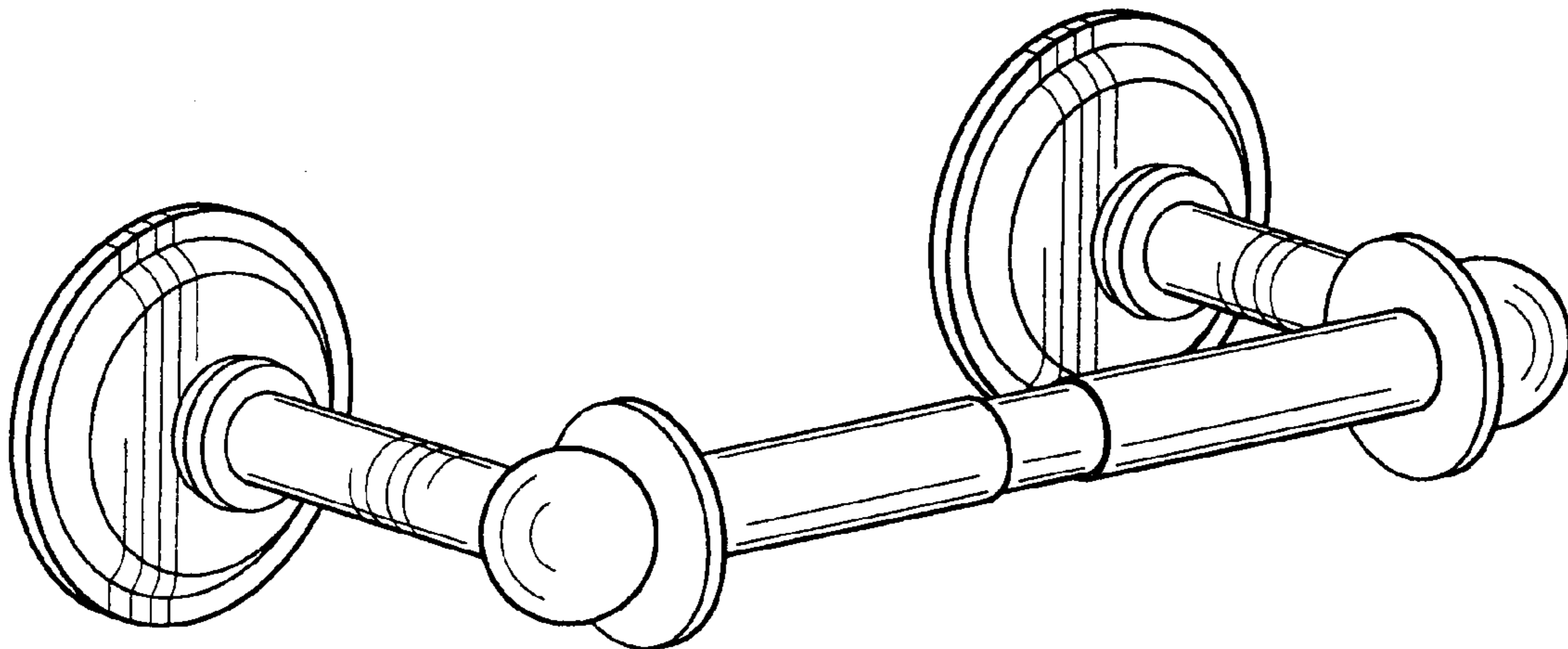
(57) **CLAIM**

The ornamental design for a tissue holder, as shown and described.

DESCRIPTION

FIG. 1 is a perspective view of a tissue holder showing my new design;
FIG. 2 is a left end view thereof, the opposite end being a mirror image of the side shown;
FIG. 3 is a top plan view thereof;
FIG. 4 is a front elevational view thereof; and,
FIG. 5 is a rear view thereof.

1 Claim, 2 Drawing Sheets



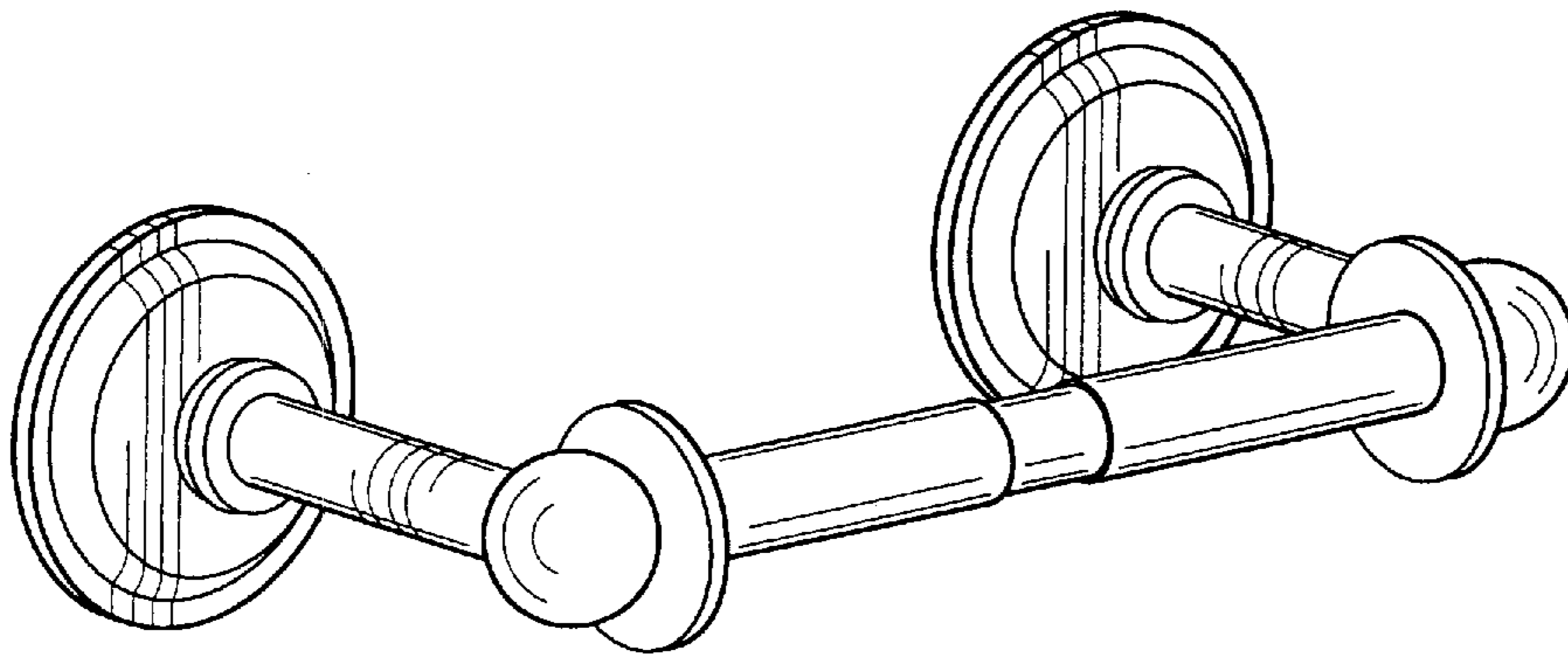


Fig-1

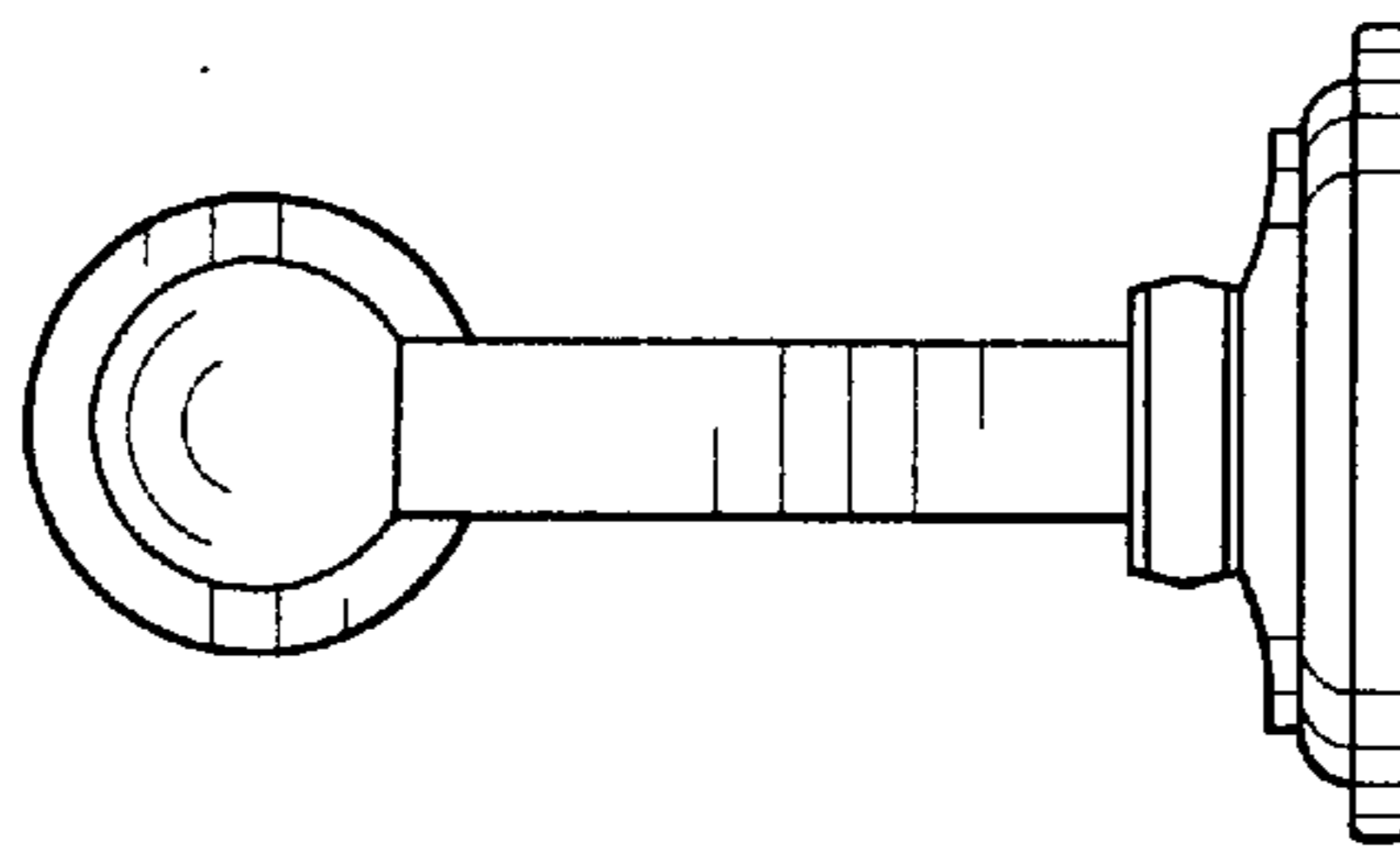


Fig-2

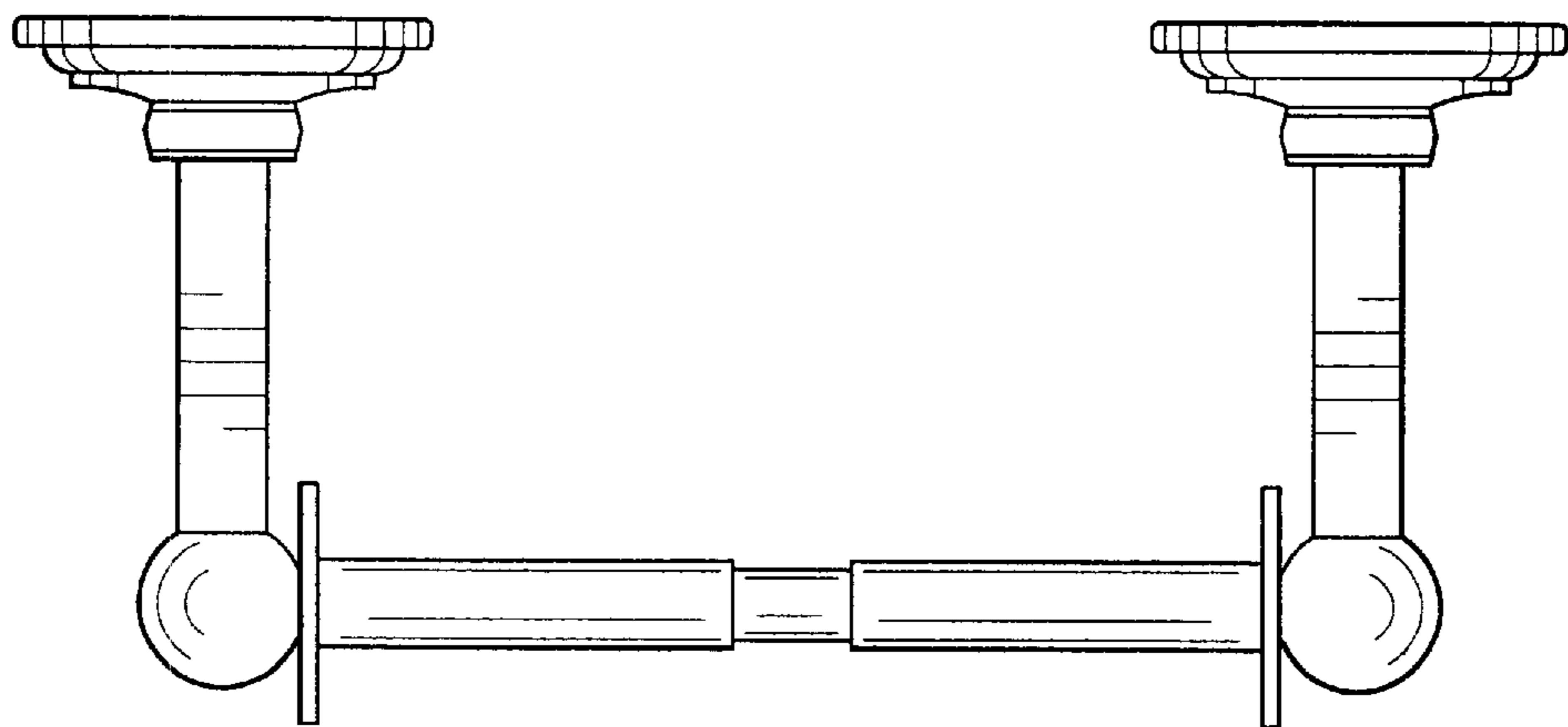


Fig-3

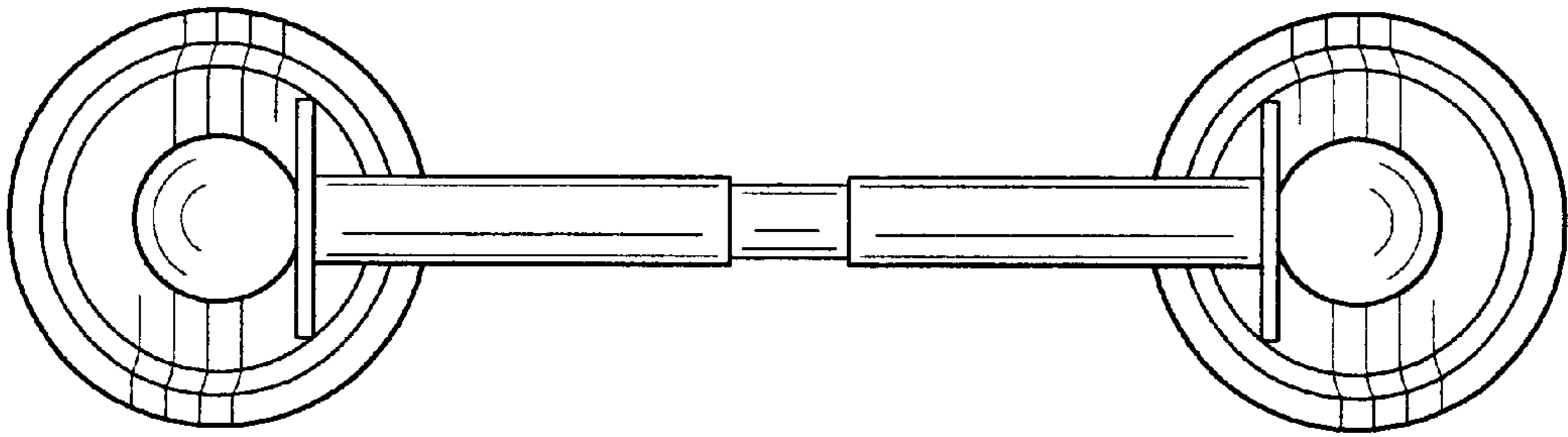


Fig-4

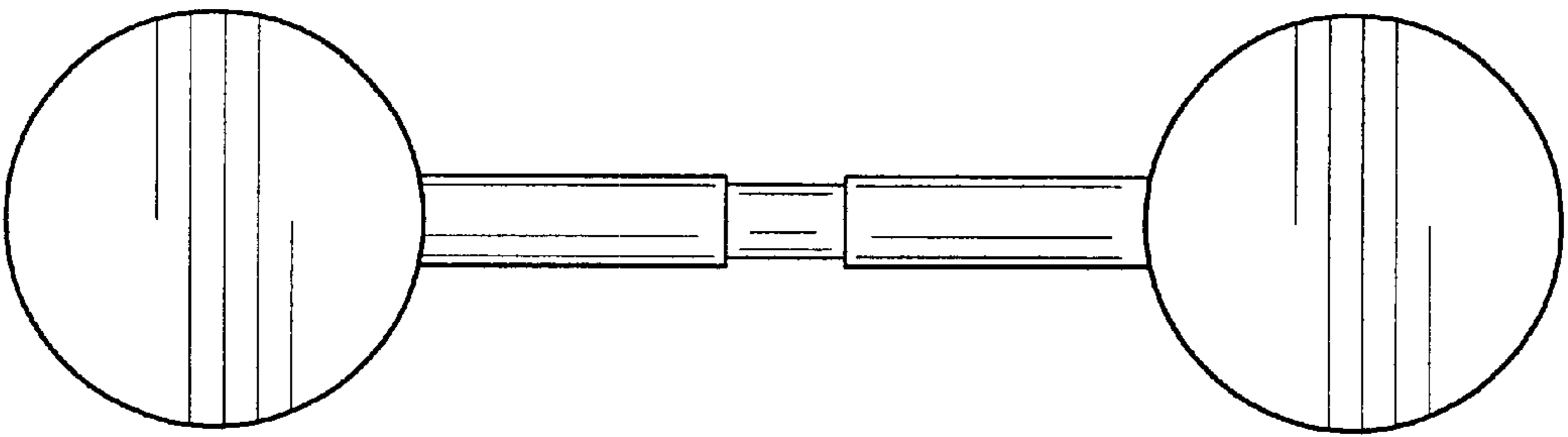


Fig-5