



US00D478438S

(12) **United States Design Patent**
Solowiej

(10) **Patent No.:** **US D478,438 S**

(45) **Date of Patent:** **** Aug. 19, 2003**

(54) **TISSUE HOLDER**

(75) Inventor: **Leszek Solowiej**, Montville, NJ (US)

(73) Assignee: **Bath Unlimited, Inc.**, Passaic, NJ (US)

(**) Term: **14 Years**

(21) Appl. No.: **29/162,375**

(22) Filed: **Jun. 14, 2002**

(51) **LOC (7) Cl.** **23-02**

(52) **U.S. Cl.** **D6/523**

(58) **Field of Search** D6/546-50, 518-19,
D6/522-24; D8/300, 303, 315-21, 354,
363, 373, 380; 108/28-29; 211/13.1, 16,
60.1, 86.01, 87.01, 88.01, 88.04, 100, 105.1-105.2,
119.003, 123, 126.1, 133.6, 134, 181.1,
182; 248/175, 176.1, 200, 214, 251, 302,
309.1; 16/110.1, 412, 415; 242/570, 590,
595-598; 206/389, 557

(56) **References Cited**

U.S. PATENT DOCUMENTS

1,769,326	A	*	7/1930	Weis	211/123
D361,006	S	*	8/1995	Sharpe	D6/524
D377,570	S	*	1/1997	Sharpe	D6/524
D392,139	S	*	3/1998	Wu	D6/549
5,875,903	A	*	3/1999	Chen	211/105.1
D417,808	S	*	12/1999	Roth et al.	D6/523

D424,352	S	*	5/2000	Roth et al.	D6/549
D426,095	S	*	6/2000	Chen	D6/549
D427,471	S	*	7/2000	Chen	D6/549
6,220,460	B1	*	4/2001	Pan	211/87.01
D452,100	S	*	12/2001	Gilbert	D6/549
D452,792	S	*	1/2002	Gilbert et al.	D6/549
D463,187	S	*	9/2002	Gilbert	D6/549
D463,935	S	*	10/2002	Zhao	D6/549
D465,956	S	*	11/2002	Ouyoung	D6/550

* cited by examiner

Primary Examiner—Brian N. Vinson

(74) *Attorney, Agent, or Firm*—Edgar A. Zarins; Lloyd D. Doigan

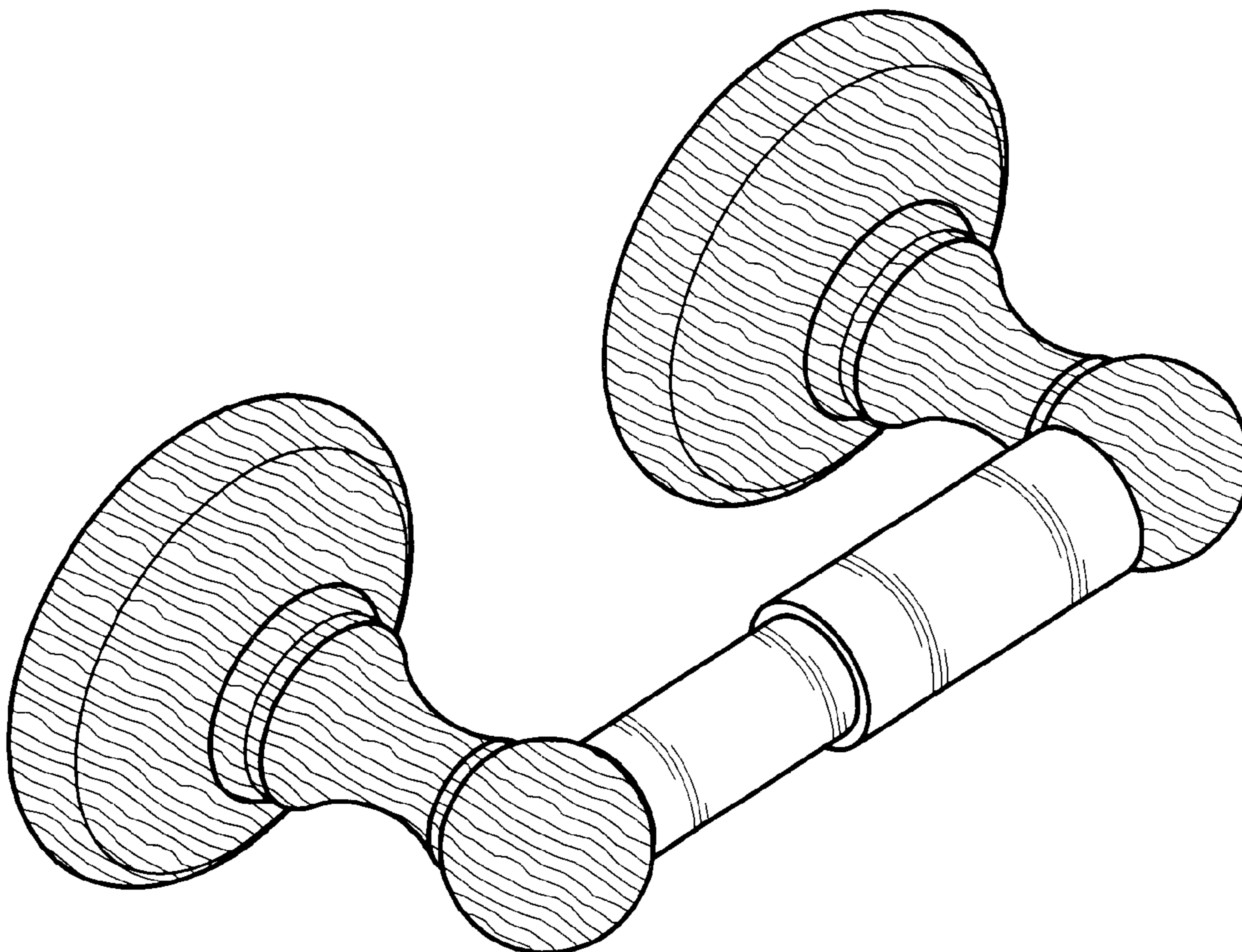
(57) **CLAIM**

The ornamental design for a tissue holder, as shown and described.

DESCRIPTION

FIG. 1 is a perspective view of a tissue holder showing my new design;
FIG. 2 is a top plan view thereof;
FIG. 3 is a front elevational view thereof;
FIG. 4 is a bottom elevational view thereof;
FIG. 5 is a right side view thereof;
FIG. 6 is a left side view thereof; and,
FIG. 7 is a rear view thereof.

1 Claim, 3 Drawing Sheets



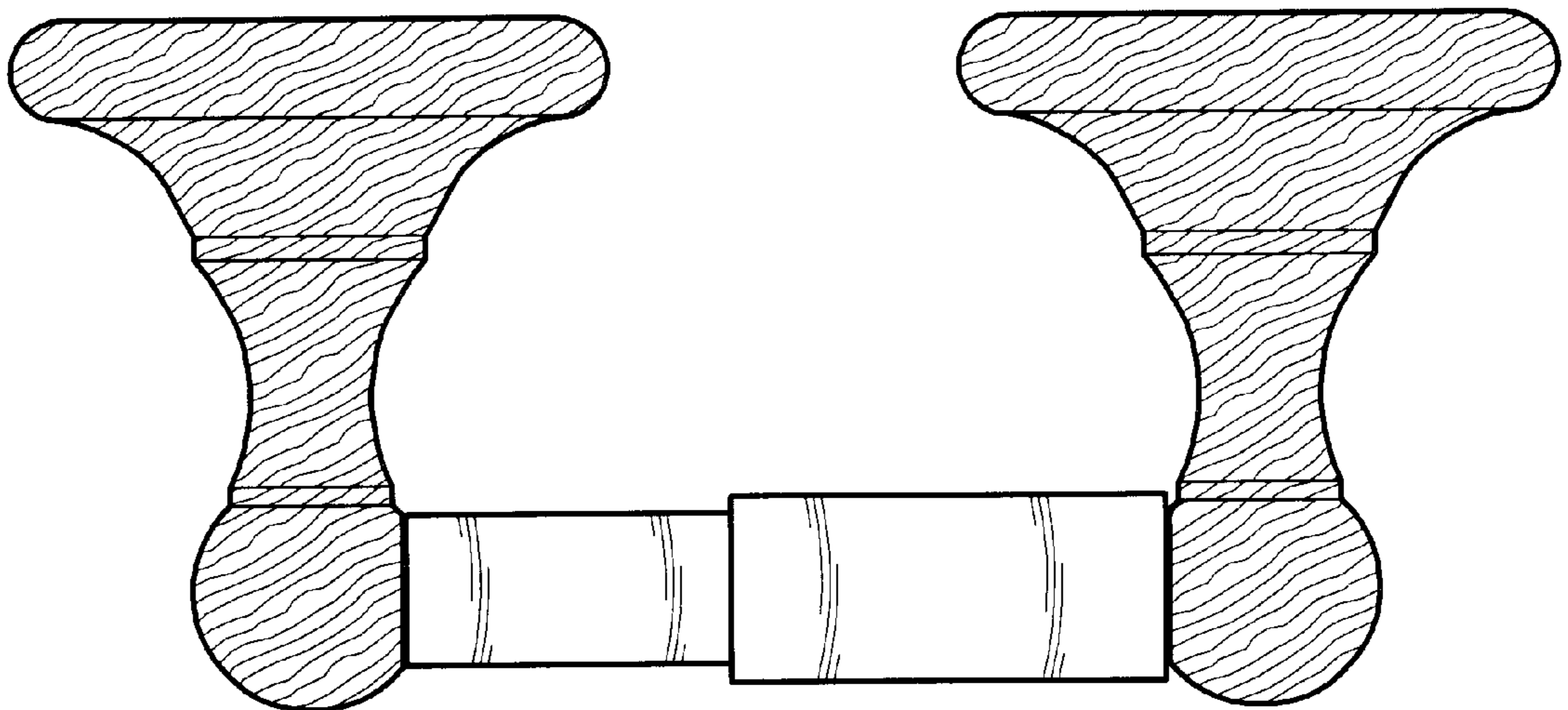
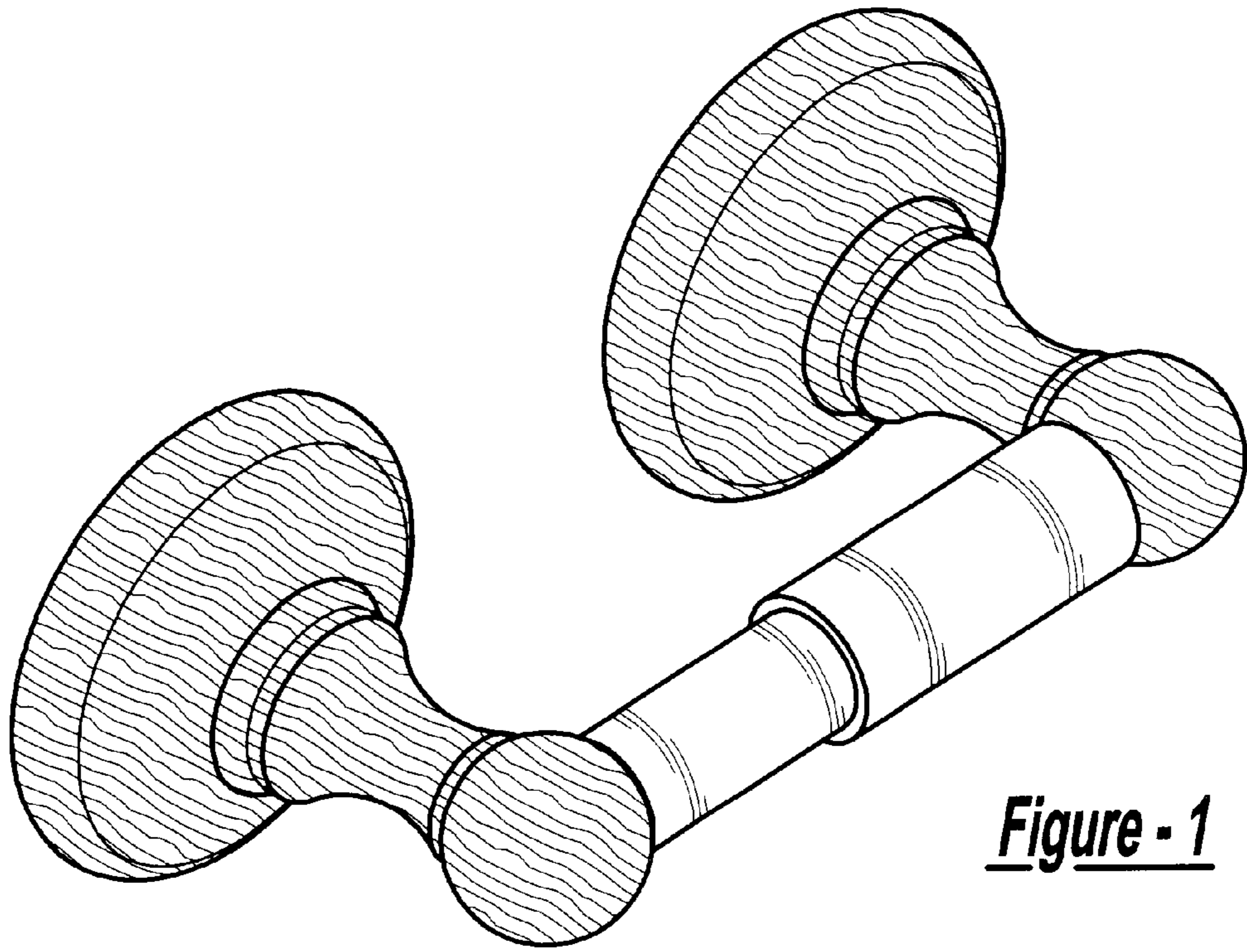


Figure - 2

Figure - 3

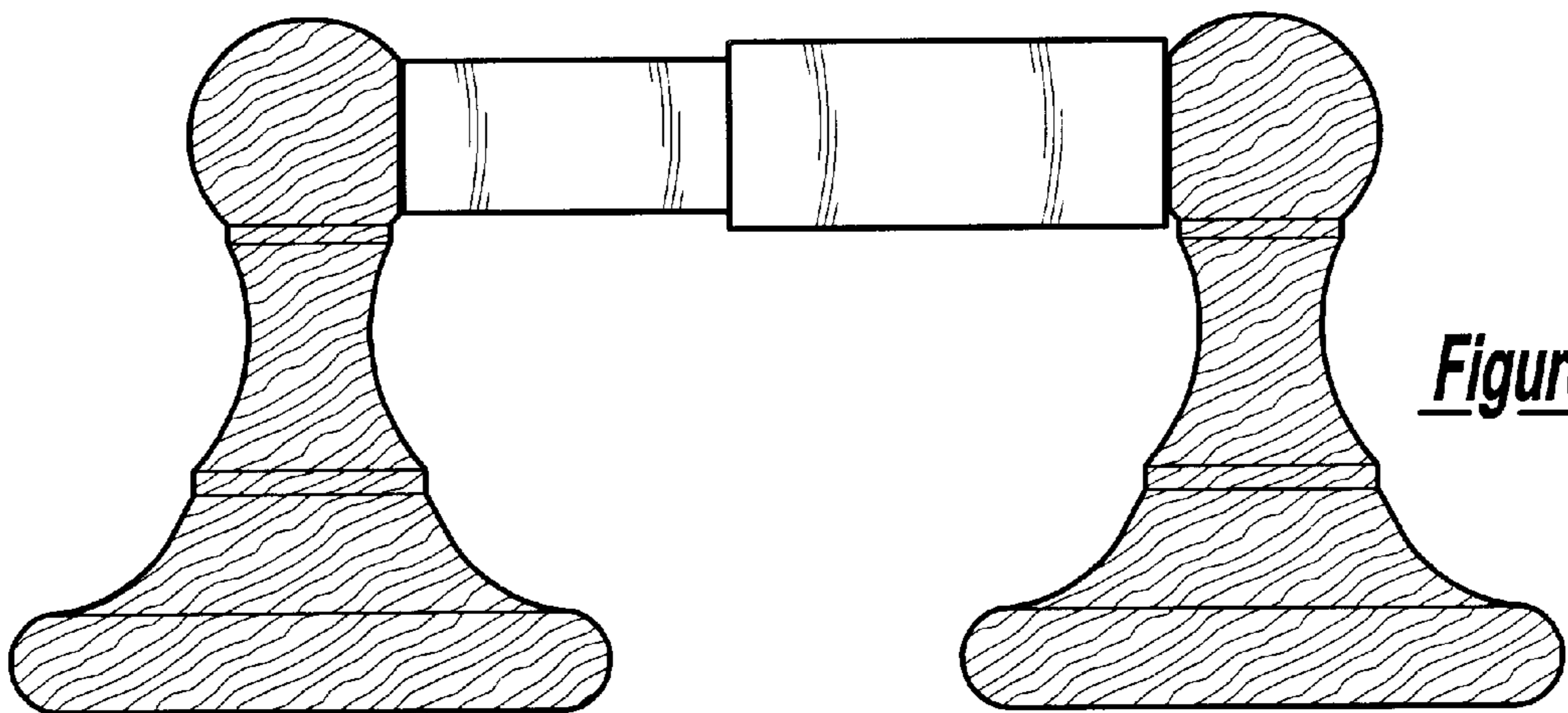
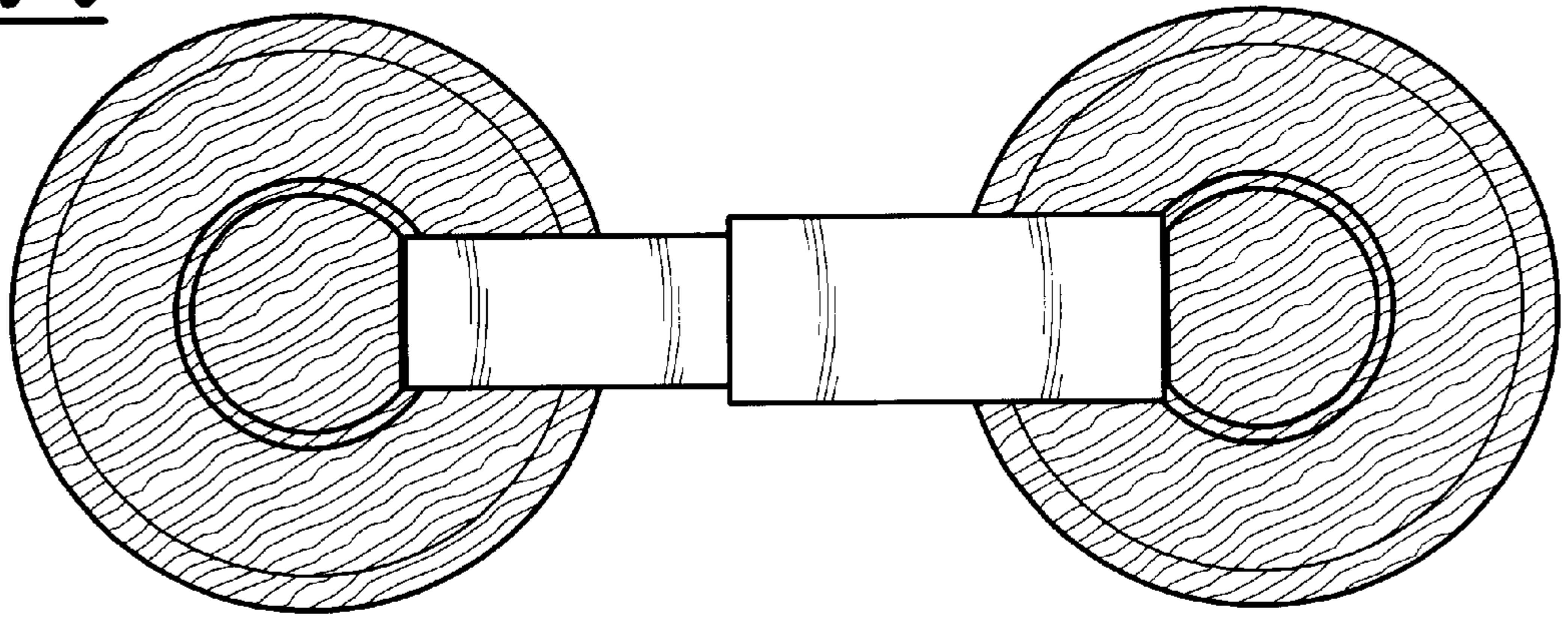
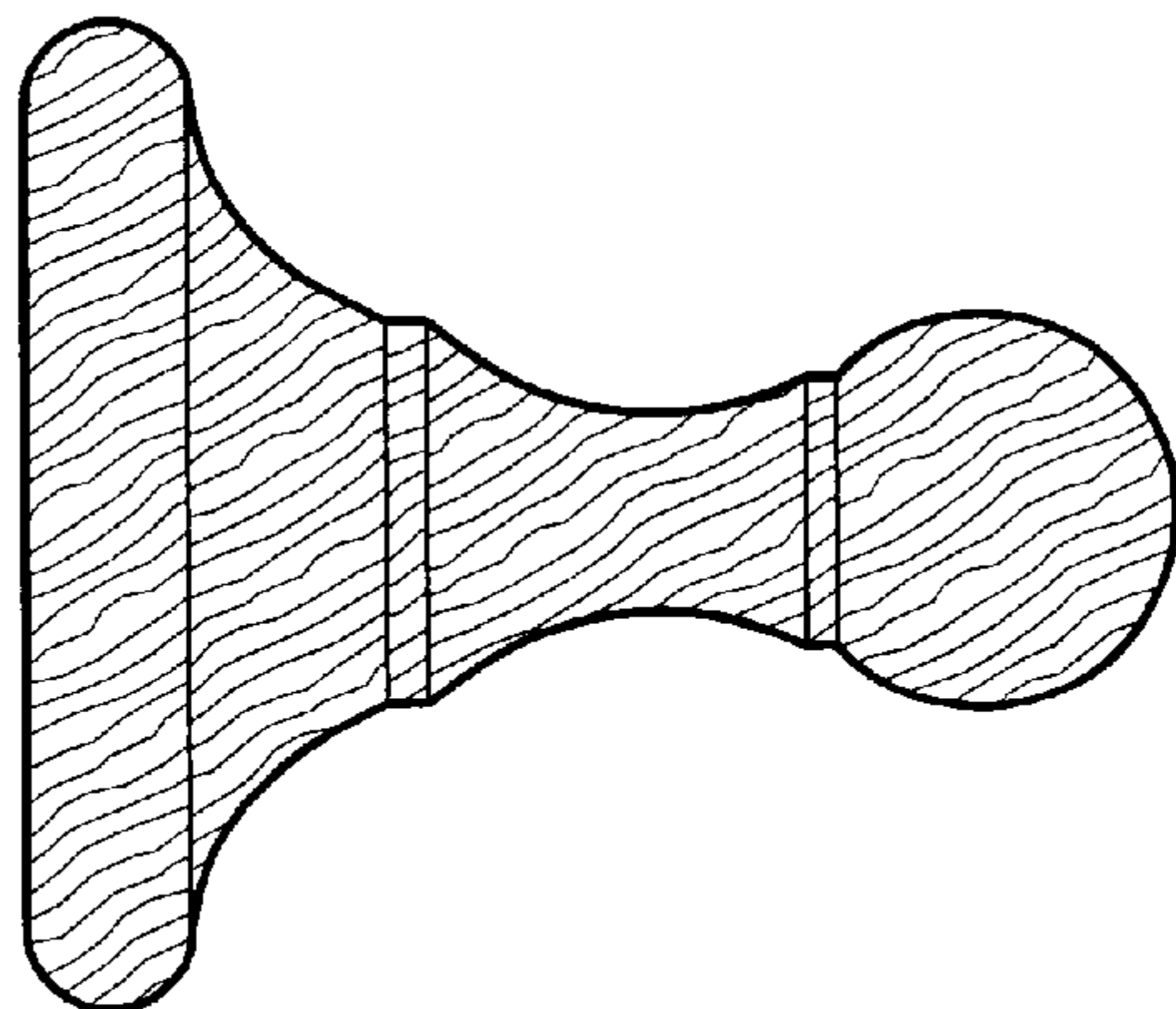


Figure - 4

Figure - 5



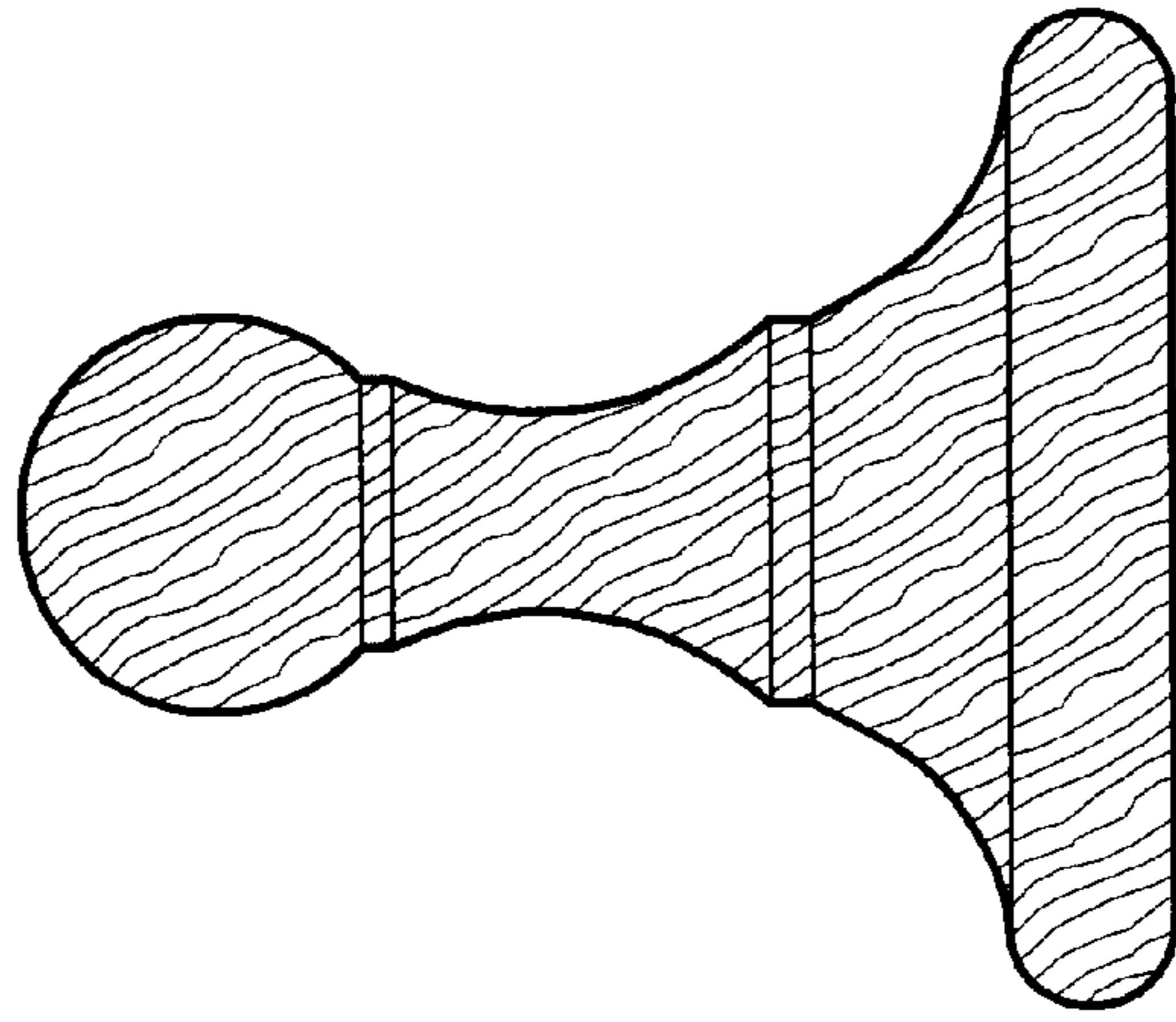


Figure - 6

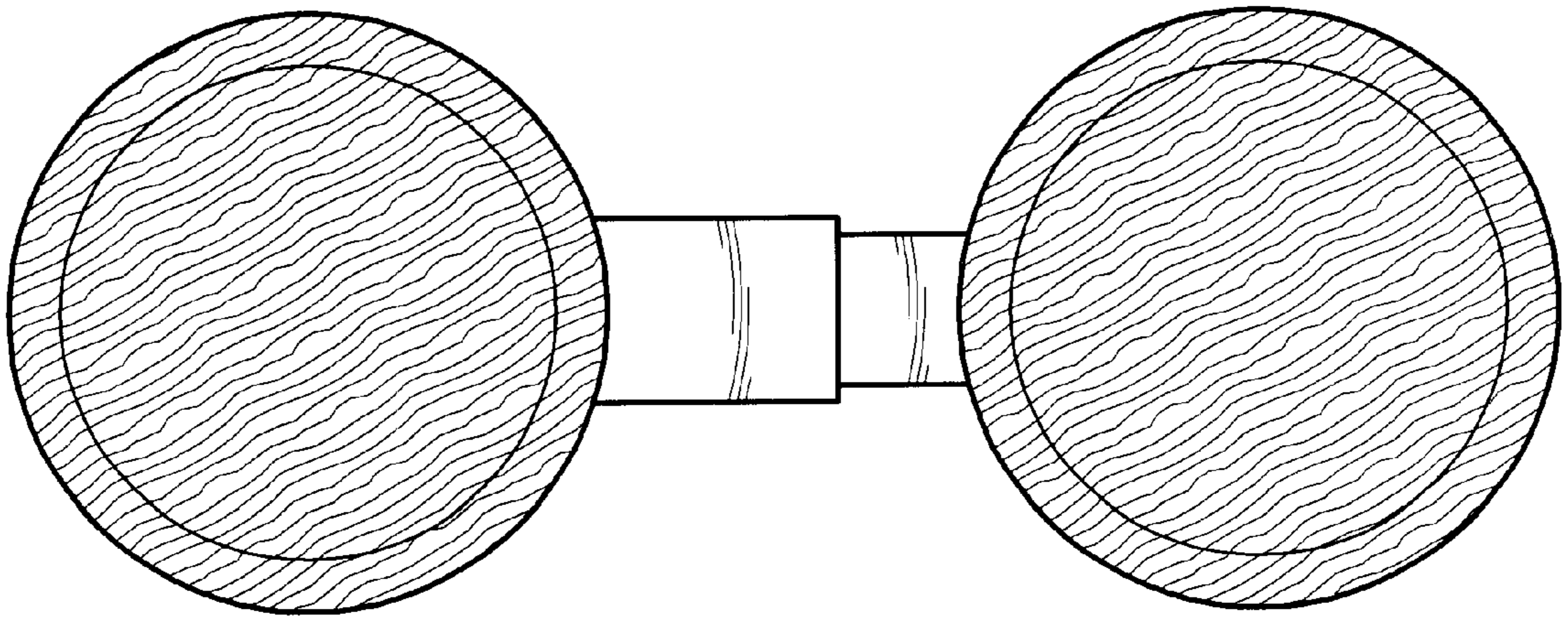


Figure - 7